

- FR Mentions Légales & Consignes de Sécurité
- ES Instrucciones Legales y de Seguridad
- PT Avisos Legais e instruções de Segurança
- IT Istruzioni Legali e di Sicurezza
- EL Νομικό σημείωμα και οδηγίες ασφαλείας
- PL Uwagi Prawne i Instrukcja Bezpieczeństwa
- RU Руководство По Технике Безопасности и Правовым нормам
- KZ Құқықтық және қауіпсіздік туралы нұсқаулар
- UA Керівництво з Техніки Безпеки і Правовим нормам
- RO Manual privind siguranța și aspectele juridice
- EN Legal & Safety Instructions

EAN CODE : 3276007024821

Traduction de la version originale du mode d'emploi - NETTOYEUR HAUTE PRESSION 135HR EPW.4 / Traducción de las Instrucciones originales - LIMPIADOR DE ALTA PRESIÓN 135HR EPW.4 / Tradução das Instruções Originais - LAVADORA DE ALTA PRESSÃO 135HR EPW.4 / Traduzione delle istruzioni originali - PULITORE AD ALTA PRESSIONE 135HR EPW.4 / Μετάφραση των πρωτότυπων οδηγιών - ΠΥΣΤΙΚΟ ΥΨΗΛΗΣ ΠΙΕΣΗΣ 135HR EPW.4 / Tłumaczenie instrukcji oryginalnej - MYJKA CIŚNIENIOWA 135HR EPW.4 / Перевод оригинала инструкции - МИЙКА ВИСЬОКОГО ДАВЛЕННЯ 135HR EPW.4 / Түпнұсқа пайдаланушы нұсқаулығының аудармасы - 135HR EPW.4 жоғары қысымды жуғышы / Переклад оригінальної інструкції - МИЙКА ВИСЬОКОГО ТИСКУ 135HR EPW.4 / Traduceea instrucțiunilor originale - CURĂȚĂTOR DE ÎNALTĂ PRESIUNE 135HR EPW.4 / Original Instructions - HIGH PRESSURE WASHER 135HR EPW.4



## CONTENTS

1. INTENDED USE
2. SAFETY INSTRUCTIONS
3. DESCRIPTION OF SYMBOLS
4. PRODUCT GRAPHIC
5. OPERATION
6. TECHNICAL DATA
7. DISPOSAL AND RECYCLING
8. MAINTENANCE AND STORAGE
9. TROUBLE-SHOOTING
10. EXPLODED VIEW
11. WARRANTY
12. EC DECLARATION OF CONFORMITY

## 1. INTENDED USE

The machine is intended for cleaning the walls of buildings, facades, terraces, footpaths, garden equipment, machinery, vehicles, tools, etc. with a pressure water nozzle. If required, you can also use the machine with added household cleaning agents.

The machine is not intended for industrial use, only for household use.

The machine must be operated in accordance with the details provided in these instructions. Any use of the machine that deviates from its intended use and is not included in these instructions is considered unauthorized use and relieves the manufacturer from his or her legal liability.

Attention! Do not operate the appliance at temperature below 0°C

## 2. SAFETY INSTRUCTIONS

- Machines shall not be used by children. Children should be supervised to ensure that they do not play with the machine.
- This machine can be used by people with reduced physical, sensory or mental capabilities or lack of experience and knowledge if they have been given supervision or instruction concerning use of the machine in a safe way and understand the hazards involved.
- If the supply cord is damaged, it must be replaced by the manufacturer, its service agent or similarly qualified persons in order to avoid a hazard.
- The electric supply connection shall be made by a qualified electrician and comply with IEC 60364-1. It is recommended that the electric supply to this machine should include either a residual current device that will interrupt the supply if the leakage current to earth exceeds 30 mA for 30ms or a device that will prove the earth circuit.
- **WARNING:** This machine has been designed for use with the cleaning agent supplied or recommended by the manufacturer. The use of other cleaning agents or chemicals may adversely affect the safety of the machine.
- **WARNING:** High pressure jets can be dangerous if subject to misuse. The jet must not be directed at persons, live electrical equipment or the machine itself.

## 2. SAFETY INSTRUCTIONS

- **WARNING:** Do not use the machine within range of persons unless they wear protective clothing.
- **WARNING:** Do not direct the jet against yourself or others in order to clean clothes or foot-wear.
- **WARNING:** Risk of explosion - Do not spray flammable liquids.
- **WARNING:** High pressure cleaners shall not be used by children or untrained personnel.
- **WARNING:** High pressure hoses, fittings and couplings are important for the safety of the machine. Use only hoses, fittings and couplings recommended by the manufacturer.
- **WARNING:** To ensure machine safety, use only original spare parts from the manufacturer or approved by the manufacturer.
- **WARNING:** Water that has flowed through backflow preventers is considered to be non-potable.
- **WARNING:** The machine shall be disconnected from its power source during cleaning or maintenance and when replacing parts or converting the machine to another function by removing the plug from the socket-outlet.
- **WARNING:** Do not use the machine if a supply cord or important parts of the machine are damaged, e.g. safety devices, high pressure hoses, trigger gun.
- **WARNING:** Inadequate extension cords can be dangerous. If an extension cord is used, it shall be suitable for outdoor use, and the connection has to be kept dry and off the ground. It is recommended that this is accomplished by means of a cord reel which keeps the socket at least 60 mm above the ground.
- **WARNING:** Always switch off the mains disconnecting switch when leaving the machine unattended.
- **WARNING:** High pressure may cause parts to rebound .Always wear appropriate personnel protection equipment (PPE) in operation, e.g. safety boots, safety gloves, safety helmets with visors, hearing protection

## 2. SAFETY INSTRUCTIONS

etc., to ensure operator's safety.

- **WARNING:** For safety reasons, high pressure hoses, valves and couplings must be used with unit. The new hose-sets supplied with the appliance are to be used. Old hose-sets should not be reused.
- **WARNING:** In the event of contact with or spillage of detergents, flush with water. If liquid contacts eyes, additionally seek medical help.
- **WARNING:** In the event of an equipment breakdown (such as nozzle or component failure), have your high pressure washer serviced by a qualified repair person using only identical replacement parts.
- Vehicle tyres/tyre valves are susceptible to damage from the high-pressure jet and may burst. The first indication for this is a discolouration of the tyre. Damaged vehicle tyres/tyre valves are perilous. Keep a minimum jet distance of 30cm during cleaning.
- **WARNING:** There is a risk of kickback and sudden torque load against the jet spray when the spray gun is opened. Ensure that you are standing firmly and that you are holding the gun securely, otherwise you could injure yourself or other people.

**Warning:** The appliance is not designed for connecting to tap water. Use a backflow preventer in accordance with EN12729 type BA or EN 61770 with a one-way valve. Water that has flown through the backflow preventer is classified as undrinkable.

**NOTE:** Regarding the information pertaining to the connection to the potable water mains, length and quality of the water supply hose, thanks to refer to the assembly manual enclosed in the package.

### 3. DESCRIPTION OF SYMBOLS



#### **IMPORTANT!**

Please read all of the safety and operating instructions carefully before using this tool. Please pay particular attention to all sections of this user guide that carry warning symbols and notices.



#### **Warning!**

This is a warning symbol. This symbol is used throughout the user guide whenever there is a risk of personal injury. Ensure that these warnings are read and understood at all times.



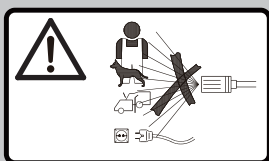
**Wear ear protection.**



**Wear eye protection.**



Disconnect the mains plug immediately if the cable is damaged, has been badly twisted or is completely cut through, and leaving that the device unattended for a short time.



#### **Warning!**

High pressure jets can be dangerous if subject to misuse. The jet must not be directed at persons, live electrical equipment or the machine itself.

### 3. DESCRIPTION OF SYMBOLS



#### **Warning!**

This machine must not be directly connected to the potable water mains.



**Insulated, Class II appliance.**



**Guaranteed sound power level**



Conformity marking that product comply with applicable Ukraine technical regulations.



**Conforms to relevant safety standards.**



Green point : Packaging recycling.



Single mark of circulation of products on the market of the Member States of the Customs.

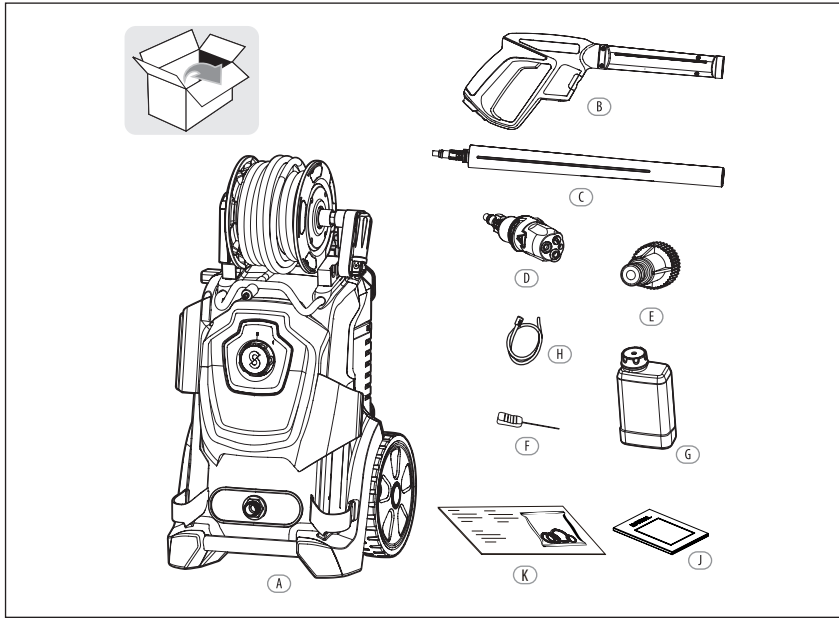
**IPX5**

Protection index against intrusion of liquids and solids.

#### **Attention!**

Through poor conditions of the electrical MAINS, shortly voltage drops can appear when starting the EQUIPMENT. This can influence other equipment (eg. Blinking of a lamp). If the MAINS-IMPEDANCE  $Z_{max} < 0.376 \text{ OHM}$ , such disturbances are not expected. (In case of need, you may contact your local supply authority for further information).

## 4. PRODUCT GRAPHIC



- A. High-pressure washer x1
- B. Spray gun x1
- C. Spear x1
- D. 3-in-1 nozzle x1
- E. Water inlet adapter x1
- F. Nozzle pin x1
- G. Detergent bottle x1
- H. Soap tube x1
- J. Manual x2
- K. O-ring kit x4

\* The following accessories are not covered in delivery package. The users can buy these accessories from the local representatives.

- 1 pcs water supply hose. NOTE: Use a fabric reinforced water hose with a commercially available coupling. Minimum diameter 13mm (1/2 inch); minimum length 1.5m.
- 1 pcs water backflow preventer (if the machine will be connected to the portable water mains, the water backflow preventer must be used .Use a backflow preventer in accordance with EN12729 type BA or EN 61770 with a one-way valve .)



### Assembly



#### **WARNING!**

All assembly operations must be performed with the appliance disconnected from the mains power supply. The assembly sequence is illustrated in the characteristics manual. Pls refer to the content to do the assembly job.



#### **WARNING!**

Wear suitable clothing, ears and eyes protecting when working with the equipment. Ensure that the equipment is functional before each use. Ensure that the mains voltage value matches the label on the equipment. The appliance should only be connected to a mains power supply equipped with an adequate earth connection and a differential security breaker (30mA) to cut off the electricity supply in the instance of a short circuit.

Check the safe condition of the machine:

- Check it for visual defects.
- Check that all parts of the machine have been securely fitted.
- Check if the water connector and the high-pressure pipes are tight.

### Starting and stopping

**Note:** put the high pressure washer on a smooth ground. Stand in a secure and stable position.

#### **Starting:**

- i. Open the water inlet valve
- ii. Press the safety button on the spray gun, and press the trigger until there is a steady stream of water.
- iii. To switch the machine on, set the On(1)/Off(0) switch to ON(1)

#### **Stopping:**

- iv. Release the trigger
- v. To switch the machine off, set the On(1)/Off(0) switch to OFF(0).
- vi. Close the water inlet valve

#### **Attention!**

##### **Risk of machine damage!**

Never operate the machine without water inlet as dry running may damage the pump. Use a water filter if the inlet water is contaminated.

## 5. OPERATION



### Working with the Electric High pressure washer

#### **Risk of fatal injury!**

Use special care when cleaning tyres. Vehicle tyres/tyre valves may become damaged or burst when handled improperly. First signs of damage included discolorations on the tyre. Damaged vehicle tyres/tyre valves pose a life-threatening risk. Keep the jet at a distance of at least 30 cm!



#### **WARNING!**

The high-pressure jet may be dangerous when handled improperly. The jet may not be directed towards living beings (persons, animals), live equipment or the machine itself.

Clogging of the spray tips causes the pump pressure to be too high and cleaning is immediately required. You can clean the spray tips by carefully inserting a needle, or a thin, sharp instrument (e.g. paperclip) into the tip to rid it of deposits.

Hold with both hands.

The trigger gun safety lock prevents the trigger from being engaged accidentally.

The safety feature DOES NOT lock trigger in the ON position.

## 6. TECHNICAL DATA

<b>Model</b>	<b>135HR EPW.4</b>
<b>Input voltage rating</b>	230 V~ , 50 Hz
<b>Input power</b>	2000W
<b>Rated pressure</b>	P max=10MPa
<b>Allowable pressure</b>	P limit=13.5MPa
<b>Rated flow</b>	Q =6.3l/min
<b>Max. flow rate</b>	Q max=7l/min
<b>IP number</b>	IPX5
<b>Safety class</b>	class II
<b>Max. water Inlet pressure:</b>	P in max. =0.6MPa
<b>Max. water intake temperature :</b>	T in max.=40°C
<b>Net weight (kg)</b>	11.30
<b>Gross weight (kg)</b>	13.59
<b>Measured sound pressure level</b>	77.9 dB(A),K=3 dB(A)
<b>Measured sound power level</b>	91.6 dB(A),K= 3 dB(A)
<b>Guaranteed sound power level</b>	95 dB(A)
<b>Vibration</b>	<2.5 m/s <sup>2</sup> ,k=1.5 m/s <sup>2</sup>

The sound values have been determined according to the noise test code given in EN 60335-2-79, using the basic standards EN ISO 11203 and EN ISO 3744.

The sound intensity level for the operator may exceed 80dB(A) and ear protection measures are necessary.

The declared vibration value has been measured in accordance with a standard test method (according to EN 60335-2-79) and may be used for comparing one product with another. The declared vibration value may also be used in a preliminary assessment of exposure.



**WARNING!** Depending on how the product is actually used, the vibration values can differ from the declared total! Adopt proper measures to protect yourself against vibration exposures. Take the whole work process, including times the product is running under no load or switched off, into consideration. Proper measures include, among others, regular maintenance and care of the product and its attachments, keeping hands warm, regular breaks and proper planning of work processes.

## 7. DISPOSAL AND RECYCLING



### **Waste Disposal and Environmental Protection!**

Be environmentally friendly. Return the tool, accessories and packaging to a recycling center when you have finished with them.

Electrical machines do not belong in domestic waste.

Take the equipment to a waste disposal site. The plastic and metal parts that are used can be separated out into pure grade, which allows recycling.

## 8. MAINTENANCE AND STORAGE

Any maintenance operations not covered by this chapter should be carried out by an Authorized Sales and Service Centre.



### **Caution!**

Always disconnect the plug from the power sources before carrying out any work on the appliance.

- **Cleaning the nozzle**

--Disconnect the nozzle from the lance.

--Remove any dirt deposits from the nozzle hole using the cleaning pin.

- **Cleaning the filter**

Inspect the intake filter and detergent (if fitted) before each use, and clean in accordance with the instructions.

Inspect the seal status of inlet nozzle, spear and 3 in 1 nozzle, remove dirt and debris from the seals, if there are any crack/damage marks on it, which will lead to water leakage, please replace with the new one accordingly. We additionally offer some spare seals in the machine for free replacement. Put the 3in1 nozzle, spear, inlet nozzle in a clean place, protected from damage.

### **STORAGE AND TRANSPORT**

#### **Storage**

Store the machine in a dry and well-ventilated place.

When placing the machine out of service for an extended period of time, remove the cleaning agent and drain all of the water left in the hoses.

#### **Transport**

If shipping, use the original packaging wherever possible.

High pressure cleaner and its accessories in an area with a room temperature of at least 5°C. The pump in the unit can be permanently damaged if it freezes.

### **DISPOSAL**

#### **Disposing of the machine**

Machines which are labeled with the adjacent symbol must not be disposed of with household rubbish. You must dispose of such old electrical and electronic appliances separately.

Please check the disposal options with your local authority. Old equipment that is disposed of separately is sent for recycling or for other forms of re-use. This helps to prevent damaging materials from being released into the environment.

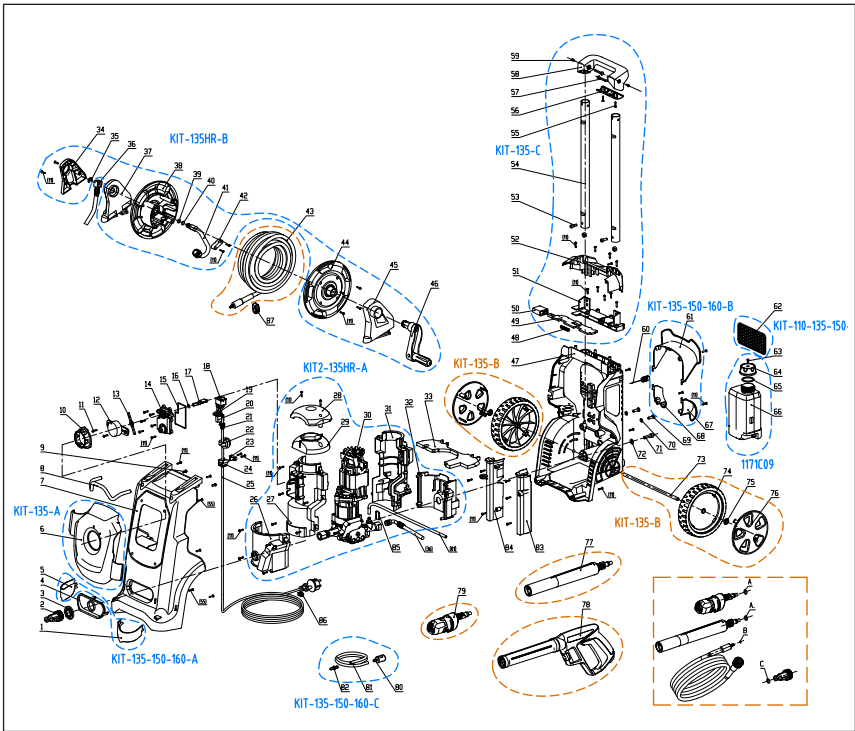
#### **Disposing of the packaging**

The packaging consists of cardboard and labeled sheets that can be recycled. Please recycle these materials.

## 9. TROUBLE-SHOOTING

- 1) No power.
  - Check the plug socket, cable, line and plug, where appropriate, have repaired through electrical specialist.
  - Any of the parts are defective, such as On/Off switch /motor etc. (please contact service agent).
  - Motor overloaded, the motor circuit breaker has tripped.
  - Turn off the appliance "0/OFF".
  - Allow the device to cool down for 5 minutes.
  - Switch on the device and put it into operation again. If the malfunction occurs repeatedly, have the device checked by the customer service.
- 2) The high pressure washer operates intermittently.
  - Power cable is damaged.
  - Internal loose electrical connection.
  - On/Off switch defective (please contact service agent).
  - Nozzle is clogged. Clean dirt from the nozzle opening using the nozzle cleaner provided.
- 3) No or only little pressure is built up.
  - Check if there is any air in the system, if so, please ventilate the machine! Run the machine without the high-pressure hose connected until water starts leaking without bubbles. Re-attach the high-pressure hose.
  - Check all inlet pipes leading to the pump for leaks or clogs.
  - Check the setting on the hand-held spray gun.
- 4) Great pressure varieties.
  - Clean the high pressure jet nozzle
  - Check the water inlet pressure.
- 5) Machine pulsating
  - Check if there is any air in the hose or pump, allow machine to run with open trigger until regular working pressure resumes.
  - Check if there is inadequate supply of mains water, avoid using long, thin hoses (min 1/2").
  - Check if nozzle partially blocked or water filter blocked, clean the nozzle or filter.
  - Check if the hose is kinked, straighten out hose.
- 6) Machine is leaking.
  - Please contact the authorized agent.
  - Seals worn on spear, 3in1 nozzle or inlet nozzle  
We additionally offer the seals of 3in1 nozzle, spear and inlet nozzle, replace with the new seals.
  - Seals worn on other parts.  
Please contact the authorized agent.

# 10. EXPLODED VIEW



## 11. WARRANTY

STERWINS products are designed according to the highest quality standards for products intended for the consumer market. This sale warranty covers a period of 5 years as of the date of purchase of the product.

This warranty covers all defects in materials and workmanship: missing parts and elements, and damage occurring under normal use circumstances. Repair and replacement of parts do not lead to an extension of the initial warranty period. You must be able to provide proof of the date of purchase for this product.

### **Warranty exclusions**

This warranty does not cover problems nor incidents resulting from incorrect use of the product. Warranty coverage is limited to the value of this product. The following cases are particularly excluded:

- Damage occurring upon transporting or setting up this product.
- Repairs and/or change of parts carried out by a third party.
- If this tool is used incorrectly (overloading the machine or installing unauthorized accessories).
- Damage caused by external factors or foreign objects such as sand or stones.
- Damage resulting from non-compliance with the safety and usage instructions.
- The tool have been disassembled or opened.
- The tool have been in a wet environment (dew, rain, submerged in water...)

The product must be used under normal usage circumstances, and for non-professional purposes. Therefore, excluded from this warranty are products used by landscaping companies, local authorities, as well as companies offering paid rentals or free loaning of equipment.

In case of problems with your product, please contact the manager of the Garden department of your store. Keep your invoice or your receipt: these documents will be requested upon processing any claims.

We thank you for your business and hope that you will be completely satisfied using our product. It is important for us to know your opinion regarding this product, in order to keep improving it to better.



## 12. CE DECLARATION OF CONFORMITY

**We: ADEO Services  
135 rue Sadi Carnot  
CS 00001  
59790 Ronchin - France**

Declares that the product detailed below:  
**High Pressure Washer 135HR EPW.4**  
Serial no.: Please refer to the back cover page.

Satisfies the requirement of the Council Directives:  
Machinery Directive 2006/42/EC  
EMC Directive 2014/30/EU  
EU NOISE Directive 2000/14/EC amended by 2005/88/EC  
ROHS Directive(EU)2015/863 amending Directive 2011/65/EU

Measured sound power level: 91.6 dB(A)  
Guaranteed sound power level: 95 dB(A)

**Conformity assessment method to Annex V / Directive 2000/14/EC**  
Annexe III, Part B, item 27  
EN ISO 3744: 2009

And conforms with the standards:

EN 60335-2-79:2012	IEC62321-1:2013
EN 60335-1:2012/A11:2014	IEC62321-2:2013
EN 62233:2008	IEC62321-3-1:2013
EN 55014-1:2017	IEC62321-4:2013
EN 55014-2:2015	IEC62321-5:2013
EN 61000-3-2 :2014	IEC62321-6:2015
EN 61000-3-11:2000	IEC62321-7-1:2015
	IEC62321-7-2:2017 & ISO17075-1:2017
	IEC62321-8:2017

Signed in RONCHIN 05/07/2019

Eric LEMOINE

International Project Quality Leader

Authorized representative of Julien Ledin, ADEO Quality Leader

ADEO Services 135 Rue Sadi Carnot - CS 00001 59790 RONCHIN – France





Ce produit se recycle,  
s'il n'est plus utilisable  
déposez-le en déchèterie.

Notice à trier.

Pour en savoir plus :

[www.quefairedemesdechets.fr](http://www.quefairedemesdechets.fr)

- FR** Ce produit est recyclable. S'il ne peut plus être utilisé, veuillez l'apporter dans un centre de recyclage de déchets.
- ES** Este producto es reciclable. Si ya no se puede usar, llévalo a un centro de reciclaje de residuos.
- PT** Este produto é reciclável. Se deixar de o utilizar, entregue-o num centro de reciclagem de resíduos.
- IT** Questo prodotto può essere riciclato. Se deve essere smaltito, portalo presso un centro di riciclaggio.
- EL** Αυτό το προϊόν είναι ανακυκλώσιμο. Εάν δεν μπορεί πλέον να χρησιμοποιηθεί, μεταφέρετε την σε κάποιο κέντρο ανακύκλωσης απορριμμάτων.
- PL** Ten produkt poddawany jest recyklingowi, kiedy przestaje być użyteczny należy dostarczyć go do punktu zbiórki odpadów.
- RU** Этот продукт может перерабатываться. Если он больше не пригоден для пользования, сдайте его в утилизационный центр.
- KZ** Бұл өнімді қайта өңдеуге болады. Оны енді пайдалану мүмкін болмаса, қалдықтарды кәдеге жарату орталығына апарыңыз.
- UA** Цей продукт може перероблятися. Якщо воно більше не є придатне для використання, здайте його в утилізаційний центр.
- RO** Acest produs este reciclabil. Dacă nu mai poate fi folosit, vă rugăm să îl aduceți într-un centru de reciclare a deșeurilor.
- EN** This product is recyclable. If it cannot be used anymore, please take it to waste recycling centre.



ADEO Services  
135 Rue Sadi Carnot  
CS 00001  
57990 RONCHIN - France

ТОВ «Леруа Мерлен Україна»,  
вул. Полярна 17а, м. Київ  
04201, Україна

ООО ЛЕРУА МЕРЛЕН ВОСТОК,  
141031, Московская область,  
Мытищинский район, г. Мытищи,  
Осташковское шоссе, д.1, РОССИЯ

Imported by Adeo South Africa (PTY) LTD T/A Leroy Merlin  
Leroy Merlin Greenstone Store  
Corner Blackrock Street and Stoneridge Drive,  
Greenstone Park Ext 2, Edenvale, 1610 Johannesburg,  
Gauteng, South Africa



N.º de série/N.º de serie/N.º de série/N. di serie/Αρ. σειράς/  
Nr seryjny/Серийный номер/Сериялық №/Серійний №/  
Nr. de serie/Serial NO 103492 00 DDDMMYY 01 PPPPPP

\* Garantie 5 ans / 5 años de garantía / Garantia de 5 anos / Garanzia 5 Anni /  
Εγγύηση 5 ετών / Gwarancja 5-letnia / Гарантия 5 года / 5 жылдық кепілдік  
/ Гарантія 5 років / Garanție 5 ani / 5-year guarantee

Made In P. R. C. 2019

«Леруа Мерлен Қазақстан» ЖШС /Қазақстан  
Республикасы, 050000, Алматы қ., /Хонаев кңшесі,  
77, «ParkView» Б0, б., 07 оф.