



Introduction

Thank you for choosing this product. Upon designing and manufacturing our products, we place all of our efforts into ensuring an excellent quality that meets the needs of the users. Following these instructions allow to optimize the lifetime

IMPORTANT! IN ORDER TO OBTAIN THE UTMOST SATISFACTION FROM THIS PRODUCT UPON SETTING IT UP, USING IT, AND MAINTAINING IT, WE RECOMMEND THAT YOU CAREFULLY READ THIS USER MANUAL BEFORE USING THE PRODUCT. PLEASE PAY ATTENTION TO BASIC WARNINGS RELATING TO SAFETY WITHIN THIS MANUAL, AND KEEP THE MANUAL FOR LATER REFERENCE.



IMPORTANT, KEEP THE MANUAL FOR LATER REFERENCE : READ CAREFULLY

Contents

- | | |
|--|----------------------------------|
| 1. Intended use of Battery Lawn Mower 33cm | 7. Storage |
| 2. Safety Instructions | 8. Maintenance |
| 3. Technical data | 9. End of life |
| 4. Assembly | 10. Warranty |
| 5. Transportation | 11. CE declaration of conformity |
| 6. Wintering | |

1. INTENDED USE OF BATTERY LAWN MOWER 33CM

This product is intended for outdoor use only, and must not be used inside a building under any circumstances. The cordless lawn mower is only intended for use in dry and well-illuminated conditions. This lawn mower is only intended to be used for cutting grass in domestic use. Do not use it for others purposes. The product is not intended to be used by children or persons with reduced physical, mental or sensory capabilities.

After unwrapping the packing, make sure that the product is complete with its accessories (if any). If the product is damaged or has any defect, please do not use it and bring back it to your dealer. If you give this tool to another people, please give him also this instruction manual.

Please note that our equipment has not been designed for use in commercial, trade or industrial applications. Our warranty will be voided if the machine is used in commercial, trade or industrial businesses or for equivalent purposes. This product has been designed to be used over a period of 6 years (Expected lifetime).

2. SAFETY INSTRUCTIONS



WARNING : Read all safety warnings and all instructions. Failure to follow the warnings and instructions may result in electric shock, fire and/or serious injury. Save all warnings and instructions for future reference.

FR

ES

PT

IT

EL

PL

RU

KZ

UA

RO

BR

EN

2.1 GENERAL SAFETY WARNINGS

- Do not operate the product near glass enclosures, automobiles, trucks, window wells, drop-offs, etc. without properly adjusting the aim of the discharge.
- Do not force or overload the product. The product will perform better and safer when it is used at the rate that it was designed to work at.
- If the product is already assembled, please make sure that all screws are tightly fixed before using it. If the product requires that you assemble it, please make sure upon opening the package that all the elements needed for setting up the product have been provided. If the product is damaged or has defects, do not use it and take it back to the nearest store.
- The term «power tool» in the warnings refers to your mains-operated (corded) power tool or battery-operated (cordless) power tool.

2.2 SYMBOLS ON THE PRODUCT



Complies with European standards: This symbol means that this appliance is compliant with the applicable European directives, and a test of compliance with these directives has been performed.



Single mark of circulation of products on the market of the Member States of the Customs Union.



Ukrainian conformity marking



Electrical products should not be discarded with household products. Used electrical products must be collected separately and disposed of at collection points provided for this purpose. Talk with your local authorities or dealer for advice on recycling.



Read and understand all instructions before operating the product, follow all warning and safety instructions.

IPX1

Degree of protection against moisture



*Universal : compatible only with Sterwins UP20, Lexman UP20 and Dexter UP20 products.



Guaranteed sound power level (tested according to Directive 2000/14/EC as amended by 2005/88/EC).



Do not expose the product to rain or wet conditions.



Beware of sharp blades. Blades continue to rotate after the motor is switched off-Remove disabling device before maintenance.



Keep bystanders away.



Keep the flexible supply cord away from the cutting blades.

2.3 SYMBOLS IN THIS MANUAL



Type and source of the danger : Failure to observe this warning may result in physical injury or death.



Type and source of the danger: This symbol indicates that damage to the appliance, the environment or other property may occur as a result of non-observance of this warning.



Note : This symbol indicates important information for better understanding of the product.



Read the manual: This symbol indicates that you need to read the user manual carefully.



Please refer to the corresponding illustration at the end of the booklet.



Remove battery during transportation, storage, repair work and cleaning.



Green point : Packaging recycling.



This product is recyclable. If it cannot be used anymore, please take it to waste recycling centre.



Brazilian environmental label : Recycle this product.



Brazilian environmental label : Recycle the packaging of the product.

2.4 WORK AREA SAFETY

1. Training

- Read the instructions carefully. Be familiar with the controls and the correct use of the machine.
- Never allow children or people unfamiliar with these instructions to use the machine. Local regulations can restrict the age of the operator.
- Never operate the machine while people, especially children, or pets are nearby.
- Keep in mind that the operator or user is responsible for accidents or hazards occurring to other people or their property.

2 Preparation

- While operating the machine always wear substantial footwear and long trousers. Do not operate the machine when barefoot or wearing open sandals. Avoid wearing clothing that is loose fitting or that has hanging cords or ties.
- Thoroughly inspect the area where the machine is to be used and remove all objects which can be thrown by the machine.
- Before use check the battery pack for signs of damage. If the battery pack becomes damaged, disconnect the disabling device immediately. Do not use the machine if the battery pack is damaged or worn.
- Before use check the supply and extension cord for signs of damage or aging. If the cord becomes damaged during use, disconnect the cord from the supply immediately. **DO NOT TOUCH THE CORD BEFORE DISCONNECTING THE SUPPLY.** Do not use the machine if the cord is damaged or worn.

3 Operation

- Operate the machine only in daylight or in good artificial light.
- Avoid operating the machine in wet grass.
- Always be sure of your footing on slopes.

- Walk, never run.
- Mow across the face of slopes, never up and down.
- Exercise extreme caution when changing direction on slopes.
- Do not mow excessively steep slopes.
- Use extreme caution when reversing or pulling the machine towards you.
- Stop the blade(s) if the machine has to be tilted for transportation when crossing surfaces other than grass, and when transporting the machine to and from the area to be used.
- Never operate the machine with defective guards or shields, or without safety devices, for example deflectors and/or grass collector, in place.
- Switch on the motor carefully according to instructions and with feet well away from the blade(s).
- Do not tilt the machine when switching on the motor, except if the machine has to be tilted for starting. In this case, do not tilt it more than absolutely necessary and lift only the part, which is away from the operator.
- Do not start the machine when standing in front of the discharge opening.
- Do not put hands or feet near or under rotating parts. Keep clear of the discharge opening at all times.
- Do not transport the machine while the power source is running.
- Stop the machine, and remove the disabling device. Make sure that all moving parts have come to a complete stop
 - whenever you leave the machine,
 - before clearing blockages or unclogging chute,
 - before checking, cleaning or working on the machine,
 - after striking a foreign object. Inspect the machine for damage and make repairs before restarting and operating the machine;
 - if the machine starts to vibrate abnormally (check immediately)
 - inspect for damage,
 - replace or repair any damaged parts,
 - check for and tighten any loose parts.

4 Maintenance and storage

- Keep all nuts, bolts and screws tight to be sure the machine is in safe working condition.
- Check the grass collector frequently for wear or deterioration.
- On machines with multi blade, take care as rotating one blade can cause other blades to rotate

- Be careful during adjustment of the machine to prevent entrapment of the fingers between moving blades and fixed parts of the machine.
- Always allow the machine to cool down before storing
- When servicing the blades be aware that, even though the power source is switched off, the blades can still be moved.
- Replace worn or damaged parts for safety. Use only genuine replacement parts and accessories.
- Keep work area clean and well lit. Cluttered or dark areas invite accidents.
- Do not operate power tools in explosive atmospheres, such as in the presence of flammable liquids, gases or dust. Power tools create sparks which may ignite the dust or fumes.
- Keep children and bystanders away while operating a power tool. Distractions can cause you to lose control.

2.5 ELECTRICAL SAFETY



WARNING ! This product produces an electromagnetic field during operation! This field may under some circumstances interfere with active or passive medical implants! To reduce the risk of serious or fatal injury, we recommend persons with medical implants to consult their doctor and the medical implant manufacturer before operating this product !

- Do not expose power tools to rain or wet conditions. Water entering a power tool will increase the risk of electric shock.

2.6 PERSONAL SAFETY

- Stay alert, watch what you are doing and use common sense when operating a power tool. Do not use a power tool while you are tired or under the influence of drugs, alcohol or medication. A moment of inattention while operating power tools may result in serious personal injury.
- Use personal protective equipment. Always wear eye protection. Protective equipment such as dust mask, non-skid safety shoes, hard hat, or hearing protection used for appropriate conditions will reduce personal injury.
- Prevent unintentional starting. Ensure the switch is in the off-position before connecting to power source and/or battery pack, picking up or carrying the tool. Carrying power tools with your finger on the switch or energising power tools that have the switch on invites accidents.

- Do not overreach. Keep proper footing and balance at all times. This enables better control of the power tool in unexpected situations.
- Remove any adjusting key or wrench before turning the power tool on. A wrench or a key left attached to a rotating part of the power tool may result in personal injury.
- Do not force the power tool. Use the correct power tool for your application. The correct power tool will do the job better and safer at the rate for which it was designed.
- Use the power tool, accessories and tool bits etc. in accordance with these instructions, taking into account the working conditions and the work to be performed. Use of the power tool for operations different from those intended could result in a hazardous situation.
- Dress properly. Do not wear loose clothing or jewelry. Keep your hair, clothing and gloves away from moving parts. Loose clothes, jewelry or long hair can be caught in moving parts.

2.7 POWER TOOL USE AND CARE

- Some regions have regulations that restrict the use of the product in some operations. Check with your local authority for advice.
- Do not allow children, persons with reduced physical, sensory or mental capabilities or lack of experience and knowledge, or people unfamiliar with these instructions to use the product. Local regulations may restrict the age of the operator.
- Keep in mind that the operator or user is responsible for accidents or hazards occurring to other people or their property.
- Keep bystanders, children and pets 15 m away from the area of operation. Stop the product if anyone enters the area.
- While operating the product, always wear substantial footwear and long trousers. Do not operate the machine when barefoot or when wearing open sandals. Avoid wearing clothing that is loose fitting or that has hanging cords or ties; they can be caught in moving parts.
- Do not wear loose clothing or jewellery that can be drawn into the air inlet.
- Secure long hair so it is above shoulder level to prevent entanglement in moving parts.
- Wear hearing protection at all times while operating the product. The product is extremely noisy and permanent hearing injury may result if instructions to limit exposure, reduce noise and wear hearing protection are not strictly followed.
- Wear full eye protection at all times while operating the product. The manufacturer strongly suggests a full face mask or fully enclosed goggles. Normal spectacles or sunglasses are not adequate protection. Objects can be thrown at high speed by the powerful air jet at any time and may rebound from hard surfaces toward the operator.

- FR • Before each use, ensure that all controls and safety devices function correctly. Do not use the tool if the off switch does not stop the product.
- ES • Before each use, always inspect the housing for damage. Ensure that guards and handles are in place and properly secured.
- PT • Use rakes and brooms to loosen debris before blowing.
- IT • Clear the work area before each use. Remove all objects, such as rocks, broken glass, nails, wire, or string, which can be blown a considerable distance by high velocity air, or become entangled in the fan.
- EL • Do not place the product on top of or near loose debris.
- PL • Do not use the power tool if the switch does not turn it on and off. Any power tool that cannot be controlled with switch is dangerous and must be repaired.
- RU • Disconnect the plug from the battery pack from the power tool before making any adjustments, changing accessories, or storing power tools. Such preventive safety measures reduce the risk of starting the power tool accidentally.
- KZ • Store idle power tools out of the reach of children and do not allow persons unfamiliar with the power tool or these instructions to operate the power tool. Power tools are dangerous in the hands of untrained users.
- UA • Maintain power tools. Check for misalignment or binding of moving parts, breakage of parts and any other condition that may affect the power tool's operation. If damaged, have the power tool repaired before use. Many accidents are caused by poorly maintained power tools.
- RO
- BR

EN

2.8 BATTERY TOOL USE AND CARE

- Recharge only with the charger specified by the manufacturer. A charger that is suitable for one type of battery pack may create a risk of fire when used with another battery pack.
- Use power tools only with specifically designated battery packs. Use of any other battery packs may create a risk of injury and fire
- When battery pack is not in use, keep it away from other metal objects, like paper clips, coins, keys, nails, screws or other small metal objects that can make a connection from one terminal to another. Shorting the battery terminals together may cause burns or a fire.
- Under abusive conditions, liquid may be ejected from the battery; avoid contact. If contact accidentally occurs, flush with water. If liquid contacts eyes, additionally seek medical help. Liquid ejected from the battery may cause irritation or burns.

2.9 BATTERY LAWN MOWER SAFETY WARNINGS

- Use this product only for the purposes it was designed.

- Remove the battery during transportation and during storage.
- Store Lawn Mower indoors – when not in use, it should be stored indoors in dry, locked-up place – out of reach of children.

2.10 SERVICE

- Have your power tool serviced by a qualified repair person using only identical replacement parts. This will ensure that the safety of the power tool is maintained.
- Have the product checked by a qualified professional and repaired, if necessary, before you operate it again.

2.11 RESIDUAL RISKS

• Familiarise yourself with the use of this product by means of this instruction manual. Memorise the safety directions and follow them to the letter. This will help to prevent risks and hazards. Always be alert when using this product, so that you can recognise and handle risks early. Fast intervention can prevent serious injury and damage to property. Switch off and disconnect from the battery if there are malfunctions.

• Even if all instructions are strictly followed, there are still some factors that could lead to hazards, such as :

- Thrown out pieces of the work piece.
- Vibration injuries : use designated handles and try to reduce working time and exposure.
- Injuries caused by noise : wear ear protection and reduce working time and exposure.
- Inhalation of dust and particles.
- Injury from flying objects projected by the blades of the power tool. Wear eye protection at all times.

If you experience any of these factors while using the machine, stop the machine consult your doctor immediately

• Injuries may be caused or aggravated by prolonged use of a tool. When using any tool for prolonged periods, ensure you take regular breaks.

3. TECHNICAL DATA

Model	20VLM2-33P.1
Rated voltage (V d.c.)	18 V d.c.
Machine weigh (including battery pack)	8.01 kg with 5Ah Li-Ion battery
Guaranteed sound power level (dB(A))	96 dB(A)
Measured sound power level (dB(A))	94.5 dB(A) K=0.78dB(A)
Sound pressure level(dB (A))	80.0 dB(A) K=3.0dB(A)
Working current	17 - 20 A

Maximum current	45 A
Recommended protection	Over current protection
Grass bag capacity	30 L
Cutting width	330 mm
Cutting height	25 - 70 mm
Mass of unit	≈7.3kg
Blade reference	A022033
No-load speed (min⁻¹)	3200
Vibration level (K=1.5m/s²)	Left handle = 2.831 m/s ² Right handle = 2.537 m/s ²

The declared vibration total value has been measured in accordance with a standard test method and may be used for comparing one tool with another. The declared vibration total value may also be used in a preliminary exposure assessment. The vibration emission during actual use of the power tool can differ from the declared total value depending on the ways in which the tool is used; and it may be necessary to identify safety measures to protect the operator that are based on an estimation of exposure in the actual conditions of use (taking into account all parts of the operating cycle such as the times when the tool is switched off and when it is running idle in addition to the trigger time).

Battery pack		
Type of battery	Li-Ion	
Model	20VBA2-25.1	20VBA2-50.1
Rated voltage [V d.c.]	18V d.c.	18V d.c.
Battery rated capacity	2.5Ah Li-Ion	5Ah Li-Ion
Number of battery cells	5	10
Weight [kg]	0.47 kg	0.71 kg

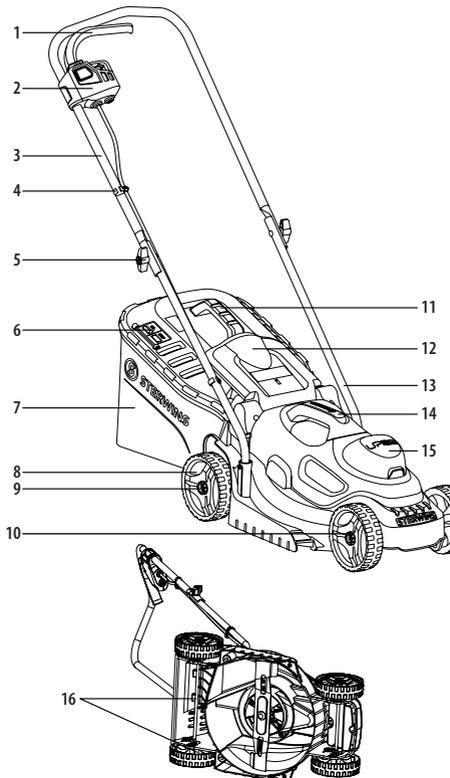
Charger pack				
Model	20VCH1-3A.1	20VCH2-6A.1	20VCH1-3ABR.1	20VCH2-6ABR.1
Rated input	100-240V~	100-240V~	100-240V~	100-240V~
Rated output	21V d.c.	21V d.c.	21V d.c.	21V d.c.
Working temperature [°C]	4°C~24°C	4°C~24°C	4°C~24°C	4°C~24°C
Weight [kg]	0.597 kg	0.644 kg	0.597 kg	0.644 kg

4. ASSEMBLY



WARNING! The product must be fully assembled before operation! Do not use a product that is only partly assembled or assembled with damaged parts! Follow the assembly instructions step-by-step and use the pictures provided as a visual guide to easily assemble the product !

4.1 UNBOXING



- | | |
|---|---------------------------------|
| 1. Switch Bar | 9. Wheel Retaining Knob |
| 2. Switch Box | 10. Front Wheels |
| 3. Upper Handle | 11. Grass Collection Box Handle |
| 4. Wire Clip | 12. Rear Discharge Door |
| 5. Knob | 13. Lower Handle |
| 6. Grass Collection Box Indicator Plate | 14. Motor Cover Handle |
| 7. Grass Collection Box | 15. Battery Cover |
| 8. Rear Wheels | 16. Blade Height Adjustment |

- Wear gloves when unboxing.
- Do not use cutter, knife, saw or any other similar tool for unboxing.
- Carry the tool only by the handles.
- Keep the box for further reuse (transport and storage).
- Keep instruction manual in a dry area for further consultation.

4.2 INSTALLATION

Set up the lawn mower

Set up the lawn mower on flat and firm ground to ensure safe and sturdy operating.

Insert the lower handle into the handle fixing hole of the mower and tighten it with the self-tapping screw. Fix the upper and lower handles with the knob .

The main module of the switch box group is pointed at the side module on the right of the upper handle and push the button lightly. After locking, cross the main module down again to confirm whether the installation is complete.

Adjust the handle height

There are two different holes on the side of the lower handle to vary the height.

If the height seems too tall or too short, adjust the hole properly and tighten it with the self-tapping screw.

Installing/Removing the grass collection box

Before installing, make sure the grass box has been properly attached to the metal grass collection box frame via the clips around the mouth of the box.

Lift the rear discharge door . While holding the door open, place the grass collection box with handle side up into the grooves under the hinge of the rear discharge door , making sure that the hooks rest properly inside their respective grooves. After stopping, lift the rear discharge door , take the grass collection box away.



If the position of indicator opening is very dirty, the indicator will not inflate-in this case, clean the position of indicator opening immediately.

Installing/Removing the battery pack

WARNING : Make sure the latch on the bottom of the battery pack snaps in place and the battery pack is fully seated and secure in the product's battery docking port before beginning operation.

Failure to securely seat the battery pack could cause the battery pack to fall out, resulting in serious personal injury.

To install : Raise the battery cover, and insert the battery pack. Push battery pack into the bottom of the battery cover, and make sure that battery pack is secured in the product before beginning operation.

Close battery cover.



WARNING: The battery cover must be closed. If it can't be closed completely, the mower won't be started.

To remove:

Raise the battery cover. Depress the battery pack unlock button and by pulling the battery pack out.

For complete charging instructions, see the operator's manuals of the battery and charger for your battery pack and charger.

4.3 FIRST USE

Check the battery



WARNING ! Read the « SAFETY INSTRUCTION » section at the beginning of this manual including all text under subheading therein before using this product.



The battery is not fully charged at the time of purchase. Before using the product for the first time, place the battery in the charger and charge it fully.

Pay particular attention using the machine for the first time : focus and dedicate all your attention to this first use. Make the first trial on a free space with no obstacle and no surrounding element

4.4 OPERATION



WARNING ! The mower can only be used outdoors, and in no case in a building.

Start the product



WARNING ! Sharp moving blade. Never attempt to override the operation of this switch and safety key system as a serious injury could result.



WARNING ! When the motor has been switched off, the cutter continues to run for several seconds. Therefore, do not touch the underside of the mower until the cutter has come to a standstill.

Connect the battery fully charged. Press and hold the switch button. Pull the switch bar toward the handle and release the switch button to start the mower. To stop the mower, release the switch bar. Let the blade come to a complete stop before making any adjustments to the mower.

About safety key:

The safety key is a disabling device to prevent unintentional activation of the lawnmower.

Do not pull out the key in normal operation, the safety key is not control device that govern the operation of the cutting means. Always remove the safety key if the lawnmower is going to be left unattended.

Operate the product

CAUTION ! Always wear safety glasses, substantial footwear and long trousers. Wear a filter mask if the operation is dusty. Use of proper gloves is also recommended.

Firmly hold the handle with both hands when mowing. Do not try to cut long grass all at once. Instead, mow the lawn in steps. Leave a day or two between mowings until the lawn becomes evenly short. When mowing at the edge, be sure to face the left side of the machine toward the edge, and then move the machine along the edge.

WARNING : if you strike a foreign object, stop the motor. Remove the safety key, thoroughly inspect the mower for any damage and repair the damage before restarting and operating the mower. Extensive vibration of the mower during operation is an indication of damage. The mower should be promptly inspected and repaired.



A sharp blade will greatly enhance the performance of the mower, especially when cutting tall blades of grass

- Mow across the face of slopes, never up and down.
- Exercise extreme caution when changing direction on slopes.
- Do not mow excessively steep slopes.
- Use extreme caution when reversing or pulling the machine towards you.
- Stop the machine and wait blade(s) to stop if the product has to be tilted (for transportation when crossing surfaces other than grass, when transporting the machine to and from the area to be used). Always carry the product by its handle.
- Do not tilt the machine when switching on the motor.
- Do not start the machine when standing in front of the discharge opening.
- Do not put hands or feet near or under rotating parts. Keep clear of the discharge opening at all times.
- Operate the product only at reasonable hours – not early in the morning or late at night when people might be disturbed.
- Do not operate the product in an explosive atmosphere.
- Avoid using the product in bad weather conditions, especially when there is a risk of lightning. Do not operate the product in poor lighting. The operator requires a clear view of the work area to identify potential hazards.
- Use of hearing protection reduces the ability to hear warnings (shouts or alarms). The operator must pay extra attention to what is going on in the work area. Do not get distracted, and always concentrate on the task.

- Operating similar tools nearby increases both the risk of hearing injury and the potential for other persons to enter your work area.
- Keep firm footing and balance.
- Do not overreach. Overreaching can result in loss of balance. Always be sure of the footing on slopes.
- Walk, never run. Keep all parts of your body away from any moving part.
- Never run the product without the proper equipment attached.
- Do not modify the product in any way or use parts and accessories that are not recommended by the manufacturer.



If the product is dropped, suffers heavy impact or begins to vibrate abnormally, immediately stop the product and inspect for damage or identify the cause of the vibration. Any damage should be properly repaired or replaced by an authorized service centre.

- To reduce the risk of injury associated with contacting rotating parts, always stop the machine, remove the battery pack, and make sure all moving parts have stopped:
 - before cleaning or clearing a blockage
 - when leaving the product unattended
 - before installing or removing attachments
 - before checking, maintaining or working on the product
 - if the machine starts to vibrate abnormally (inspect immediately)

Removing and charging the battery : battery instruction manual

1. Press the lock button on the top center of the battery to slide it out of the product.
2. Place the battery pack into the charger by sliding it into a locked position until it clicks
3. When the green light is flashing, the battery is charging. If the green light is no longer flashing, the battery is fully charged.

5. TRANSPORTATION

Transporting the machine or battery may require that you meet certain requirements specific to your country. Please make sure to respect them by contacting the authorities of your country, in order to respect them all. Ensure temperature during transportation will never be out of temperature range given on chapter storage

5.1 TRANSPORT THE MACHINE

Switch the product off and remove the battery pack.

Always carry the product by its handle. Protect the product from any heavy impact or strong vibrations which may occur during transportation in vehicles. Secure the product to prevent it from slipping or falling over. Do not expose the product to sunlight.

5.2 TRANSPORT THE LITHIUM BATTERIES

Please refer to the battery instruction manual for further details.

FR
ES
PT
IT
EL
PL
RU
KZ
UA
RO
BR
EN

6. WINTERING

Plug out the battery from the power tool.

Before long storage please ensure the battery charge fit to instructions provided on battery instruction manual. **Follow all instructions given on chapter storage below.** We recommend using the original package for storage or covering the product with a suitable cloth or enclosure to protect it against dust.

7. STORAGE

Only store the machine and the battery in a clean, dry, ventilated place with a temperature range of 4°C to 24°C. Cover it in order to provide added protection. We recommend using the original package for storage or covering the product with a suitable cloth or enclosure to protect it against dust. Be sure to secure the unit while transporting

7.1 STORE THE MACHINE

Plug out the battery from the power tool. Examine the unit thoroughly for worn, loose or damaged parts. Clean the unit before storing. Do not expose the product to sunlight. Make sure the product is always protected from cold and humidity.

- Always allow the machine to cool down before storing.

7.2 STORE THE LITHIUM BATTERIES

Please make sure that the battery power level is as recommended in the battery instruction manual. Please refer to the battery instruction manual for further details.

8. MAINTENANCE



DANGER! Risk of injury due to electric shock.
Remove the battery pack before adjusting, inspecting, cleaning or storing the product.

8.1 CLEANING

Wipe off the housing and the plastic components using a moist, soft cloth. Do not use strong solvents or detergents on the plastic housing or plastic components. Certain household cleaners may cause damage, and may cause a shock hazard.

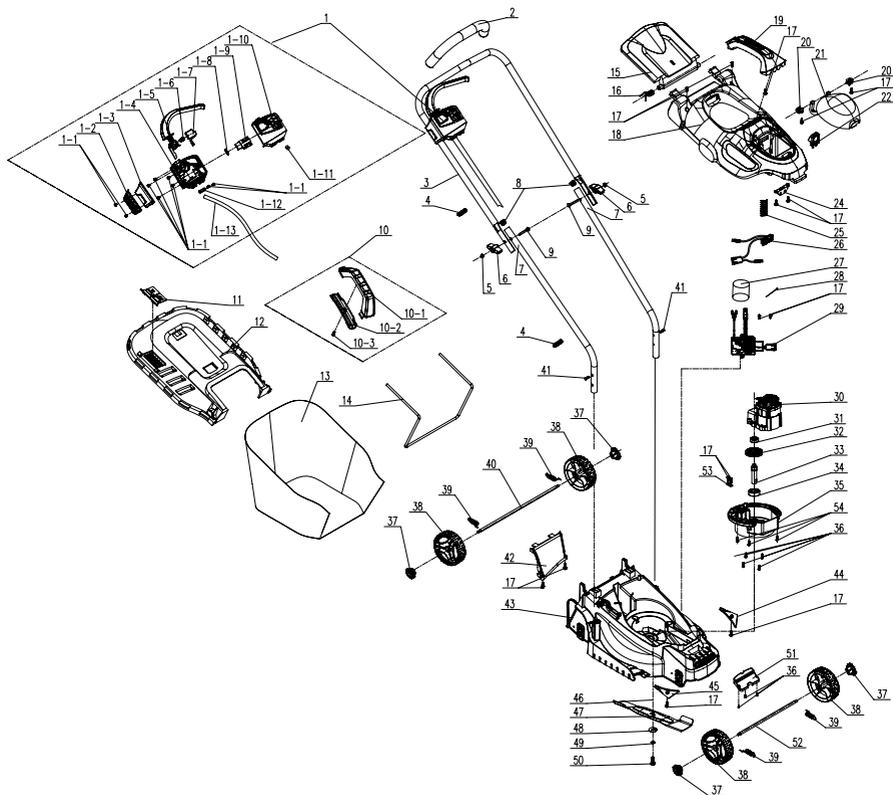
- Keep all nuts, bolts and screws tight to be sure the machine is in safe working condition.
- Check the grass collector frequently for wear or deterioration.
- Be careful during adjustment of the machine to prevent entrapment of the fingers between moving blades and fixed parts of the machine.
- Always allow the machine to cool down before cleaning.
- When servicing the blades be aware that, even though the power source is switched off, the blades can still be moved.
- Replace worn or damaged parts for safety. Use only genuine replacement parts and accessories.

8.2 CHANGING THE CUTTING BLADE

Turn the mower onto its side to reveal the underside of the machine. Place a block of wood or a stop of some kind between the blade and the edge of the deck to prevent the blade from turning freely. Using a wrench, loosen the blade nut on the bottom of the unit. Remove the blade nut, the washer, and the blade from the machine.

Put the new blade onto the shaft and replace the blade washer and the blade nut. Tighten the blade nut. Torque the blade nut to 25-30 N·m. Once the blade is secure, check by hand that everything rotates as it should.

8.3 EXPLODED VIEW



POS	PART NUMBER	DESCRIPTION	NUM
1	A022033-009-00	switch box component	1
1-1	8206-000001-00	Bolt	9
1-2	8020-512012-01	Cover	1
1-3	8020-512011-00	Cover	1
1-4	A022033-004-00	Switch box	1
1-5	8044-512010-00	Trigger	1

POS	PART NUMBER	DESCRIPTION	NUM
1-6	8342-481501-00	Spring	1
1-7	8020-512009-01	Button	1
1-8	8342-463002-00	Spring	1
1-9	8042-660102-00	Push button switch	1
1-10	A022033-003-00	Switch box	1
1-11	8301-660803-01	Stifled piece	1
1-12	8184-302201-00	Cable pressplate	1
1-13	A022010-034-00	Two - cell cable	1
2	8331-515701-00	Sponge	1
3	A022033-010-00	Handle	1
4	8007-512001-00	Line Deduction	2
5	8NH-06D	Nut	2
6	8313-512001-00	Knob	2
7	A021040-014-00	Handle	2
8	A022010-032-01	Stopcock	2
9	A021040-020-00	Square neck bolt	2
10	8440-512012-00	Hand shank	1
10-1	8001-512002-00	Hand shank	1
10-2	8020-512006-00	Lower cover	1
10-3	8SJAB40-14	Self tapping screw	1
11	8181-513001-01	Indicator board	1
12	A021040-012-00	Cover	1
13	A021040-010-00	Clippings bag	1
14	A021040-011-00	Support	1
15	A021040-004-00	Cover	1
16	A021040-016-00	Torsional spring	1
17	8206-000001-00	Self tapping screw	15
18	A022033-006-00	Cover	1
19	A022033-008-00	Handle	1
20	A022033-012-00	Pin	2
21	A022033-005-00	Cover	1
22	8045-513001-00	Key	1
24	A022033-007-00	Holder	1
25	9342-903105-00	Spring	1
26	A022033-011-00	Stent components	1
27	8415-510902-00	Retardation coil	1

POS	PART NUMBER	DESCRIPTION	NUM
28	236-1017	Tie wire belt	4
29	A022010-013-02	Electronic components	1
30	A022010-014-00	Motor assy'	1
31	8BC-260908-ST	629Z Bearing	1
32	8123-855101-00	Big gear	1
33	A022010-015-01	Output shaft	1
34	8BC-351511-SS01	6202Z Bearing	1
35	A022010-009-02	Gear box	1
36	8SNAB50-20	Self tapping screw	9
37	A021040-015-00	Knob	4
38	8121-512001-00	Wheel	4
39	8342-510702-03	Raise the tension spring	4
40	A021040-006-00	Shaft	1
41	8SJAC48-20	Self tapping screw	2
42	A021040-008-00	Guide plate	1
43	A021040-001-00	Housing	1
44	A021040-017-00	Guide plate	1
45	A021040-018-00	Guide plate	1
46	A022010-033-01	Pipe sleeve	1
47	A022033-002-00	Blade	1
48	8325-532405-00	Washer	1
49	8WS-08B	Spring washer	1
50	8206-511001-01	Blade bolt	1
51	A022033-013-00	Counterweight block	1
52	A021040-005-00	Shaft	1
53	8184-302201-00	Cable clamp	1
54	8SNAB50-25	Self tapping screw	3

8.4 TROUBLESHOOTING



DANGER ! Risk of injury due to electric shock.
Warning ! Before any trouble shooting, switch off the product.

Problems	Probable causes	Solutions	Qualification required
Product does not start	Battery is not secure	To secure the battery pack, make sure the latches on the top of the battery pack snap into place	-
	Battery is not charged	Charge the battery pack according to the instructions included with your model	
	Power/speed switch is in the OFF position	Press the on/off switch	
	Battery pack not properly attached	Attach properly	
	On/off switch not set on ON position	Refer to chapter "Start the product"	
The handle is not correctly fitted	The panel bolts are not correctly inserted	Adjust the height of the handle and check that the panel bolts are correctly inserted	-
	The quick-fastening levers are not tightened	Tighten them	
The mower cuts unevenly	The grass is not uniform or thick, or the cutting height was not correctly adjusted	Check the height of the wheels. All the wheels must be set to the same cutting height so that the mower can cut evenly	-
Mulching is not done correctly	The grass cuttings are damp and sticking to the mower	Wait for the lawn to dry before mowing	-
The mower is difficult to push	The grass is long, the rear panel of the mower and the blade are dragging in very dense grass, or the cutting height is set too low	Raise the cutting height	-
The grass cuttings are not collected properly in the grass box	The cutting height is too low	Raise the cutting height	-
	The blade is out of balance or worn	Change the blade	
The mower vibrates at high speed	The motor shaft is twisted	Turn off the motor and inspect the mower. Get the mower repaired.	Approved repair centre
	The cutting height is too low	Raise the cutting height	
The motor stops while mowing	The battery is discharged	Recharge the battery	-

Problems	Probable causes	Solutions	Qualification required
Mower suddenly stopped while cutting grass.	Mower maybe occur overload	Stop the mower and wait for 3 minutes to restart.	
Product does not reach full power	Battery pack capacity too low	Charge battery pack	-
	Air vents are blocked	Clean the air vents	
Vibration or noise is excessive	Bolts/nuts are loose	Tighten bolts/nuts	-
Product suddenly stops	Battery pack discharged	Remove and charge battery pack	-
	Battery too hot	Remove battery pack and let it cool down	

9. END OF LIFE



Electrical products should not be discarded with household products. Used electrical products must be collected separately and disposed of at collection points provided for this purpose. Talk with your local authorities or dealer for advice on recycling.

10. WARRANTY

10.1 OUR WARRANTY

STERWINS products are designed according to the highest quality standards for products intended for the consumer market. This sale warranty covers a period of 3 years as of the date of purchase of the product. This warranty covers all defects in materials and workmanship: missing parts and elements, and damage occurring under normal use circumstances. Repair and replacement of parts do not lead to an extension of the initial warranty period. You must be able to provide proof of the purchase for this product and the date of purchase. Warranty coverage is limited to the value of this product.

10.2 WARRANTY EXCLUSIONS

This warranty does not cover problems nor incidents resulting from incorrect use of the product. The following items are not covered by warranty :

- The tool have been used incorrectly; or
- Damage occurring upon transporting or setting up this product; or
- Repairs and/or change of parts carried out by a third party; or
- Damage caused by external factors or foreign objects such as sand or stones; or
- Damage resulting from non-compliance with the safety and usage instructions; or
- The tool have been disassembled or opened; or
- The tool have been in a wet environment (dew, rain, submerged in water...); or
- The tool has been used for professional purpose; or
- The tool has been exposed to a temperature out of the range specified in chapter "storage"

The product must be used under normal usage circumstances, and for non-professional purposes. Therefore, excluded from this warranty are products used by gardening companies, local authorities, as well as companies offering paid rentals or free loaning of equipment.

In the event of a problem or defect, you should first always consult your Sterwins dealer. In most cases, the Sterwins dealer will be able to solve the problem or correct the defect. Keep your invoice or your receipt: these documents will be requested upon processing any claims.

11. CE DECLARATION OF CONFORMITY

**We : ADEO Services
135 Rue Sadi Carnot
CS 00001 59790 Ronchin, France**

**Declare that the product
Battery Lawn Mower 33cm
20VLM2-33P.1**

Is in conformity with the requirements of the Directive MD 2006/42/EC and with national regulations:
EMC Directive 2014/30/EU
ROHS Directive(EU)2015/863 amending Directive 2011/65/EU
NOISE Directive 2000/14/EC,Annex VI and 2005/88/EC

Measured Sound power level : 94.5 dB (A)
Guarantee sound power level : 96 dB (A)

EN 60335-1:2012+A11:2014+A13:2017+A1:2019+A14:2019+A2:2019
EN 60335-2-77:2010
IEC 62321-1:2013
IEC 62321-2:2013
IEC 62321-3-1:2013
IEC 62321-4:2013+A1:2017
IEC 62321-5:2013
IEC 62321-6:2015
IEC 62321-7-1:2015
IEC 62321-7-2:2017&ISO 17075-1:2017
IEC 62321-8:2017
EN 55014-1:2017
EN 55014-2:2015

Serial No : Please refer to the back cover page
and rating label of machine

Notified Body: Conformity assessment method to Directive 2000/14/EC and 2005/88/EC
The EC type-examination certificate is issued by SGS
Notified body of Noise directive: ISET S.r.l.
Via Donatori di sangue,9-46024 Moglia(MN)
Notified Body number: 0865

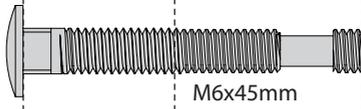


Signed in Ronchin, France
Date of signature : 10/05/2021
Eric LEMOINE
International Project Quality Leader
ADEO Services
135 Rue Sadi Carnot
CS 00001 59790 Ronchin, France



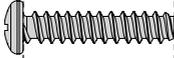
0 1 2 3 4 5 6 cm

A
X2



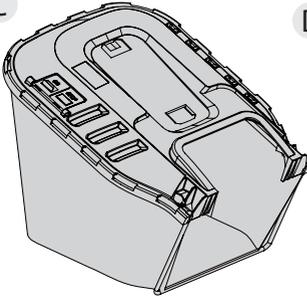
M6x45mm

B
X2



ST5x20mm

C



D



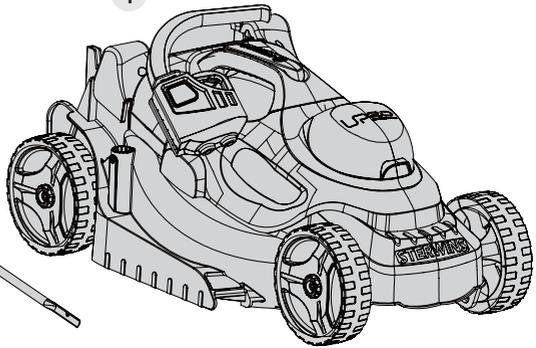
E
X2



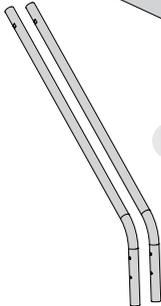
F
X2



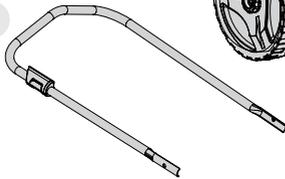
I



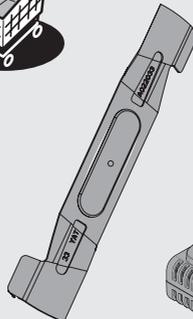
G



H

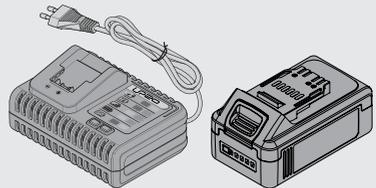


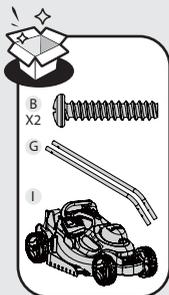
13#



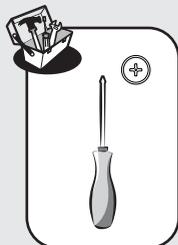
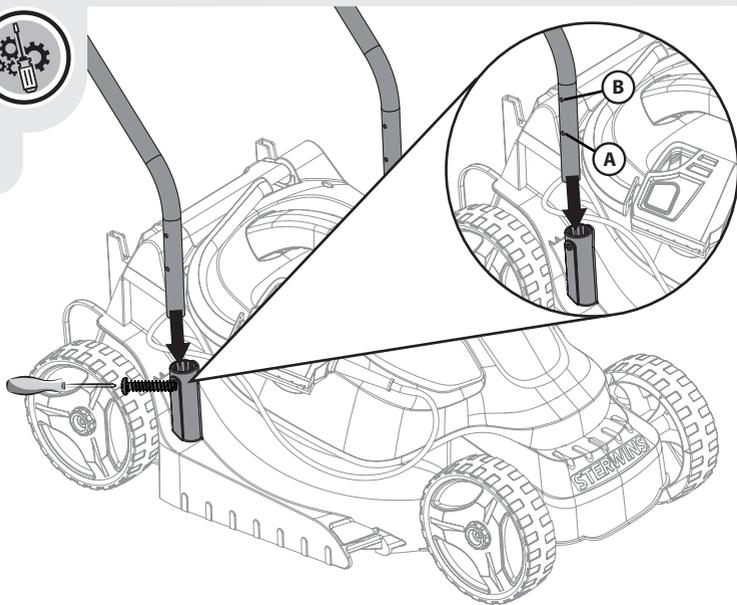
A022033
included

UP
UNIVERSAL POWER
20

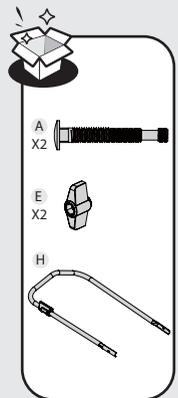
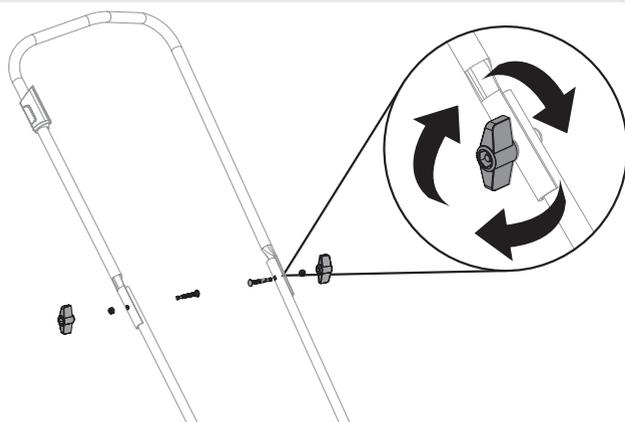




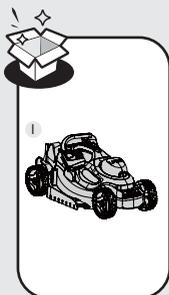
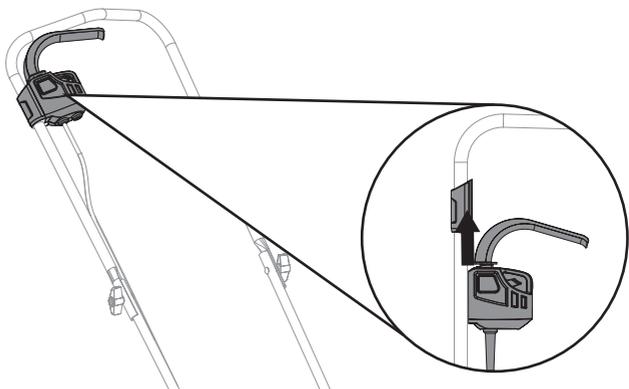
1



2



3

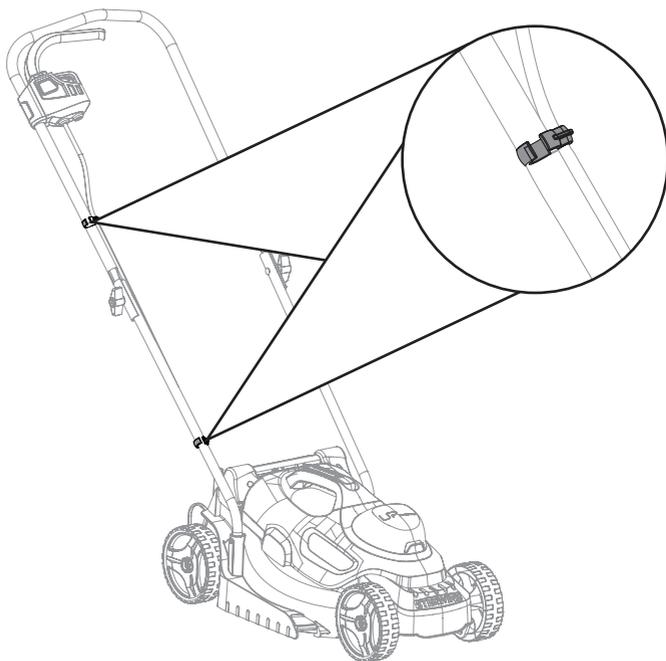




F
X2



4



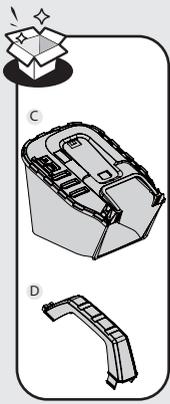
5



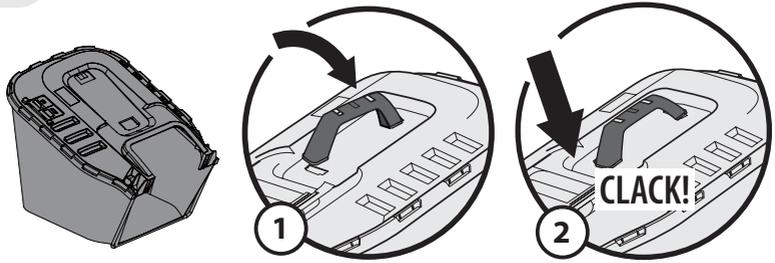
100 cm

92 cm

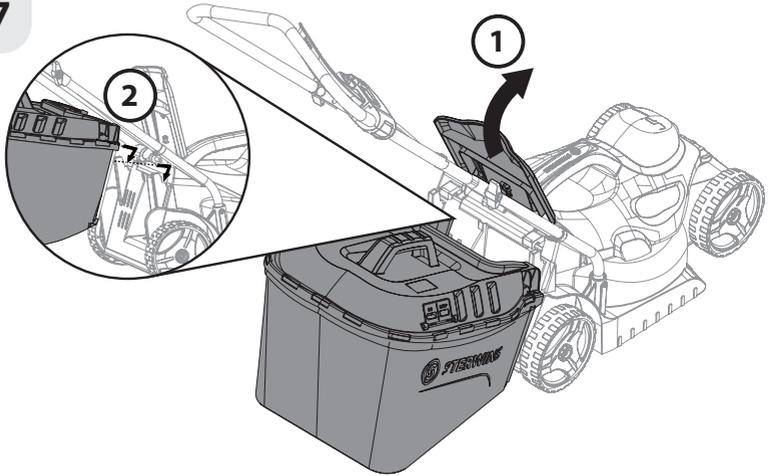




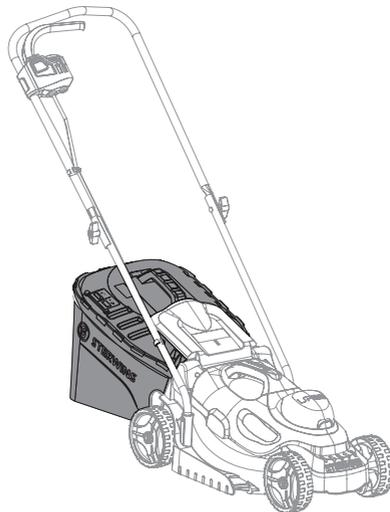
6



7

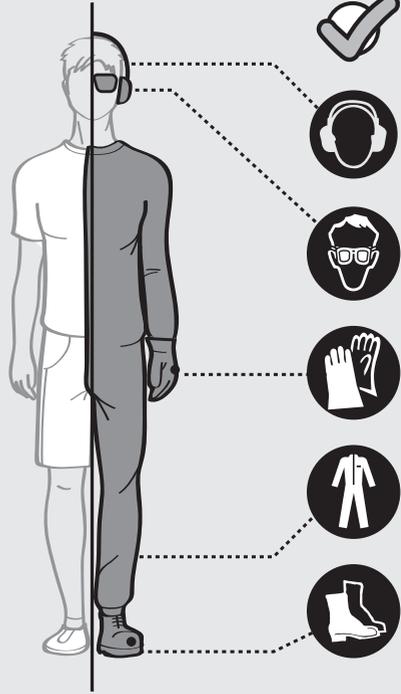


8

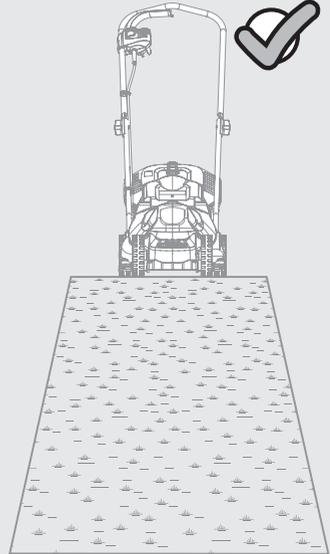
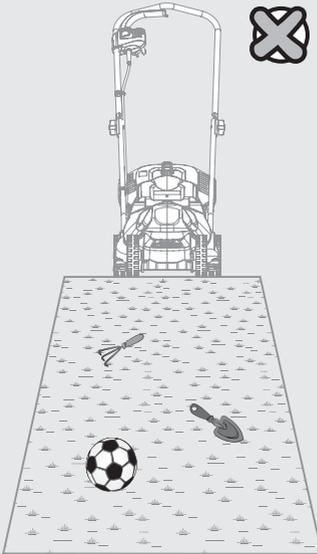




1

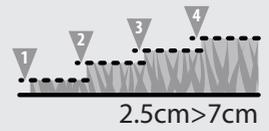
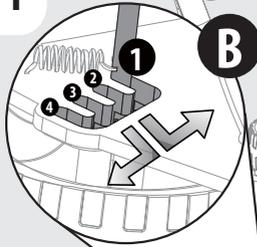


2

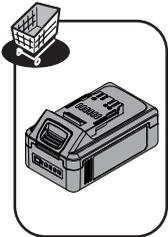
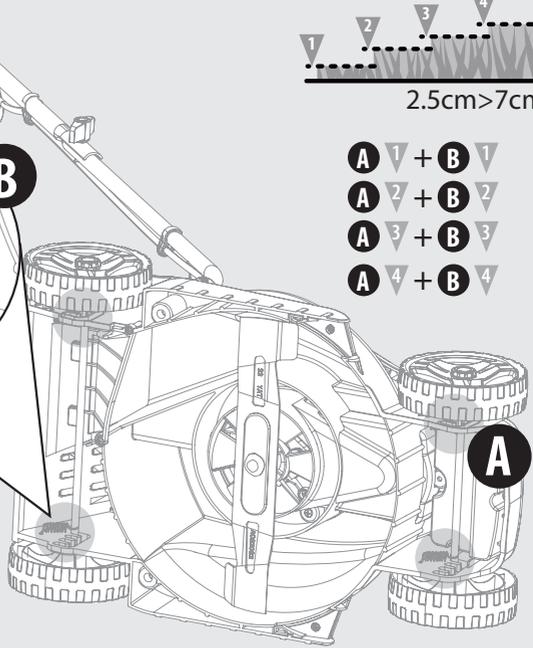




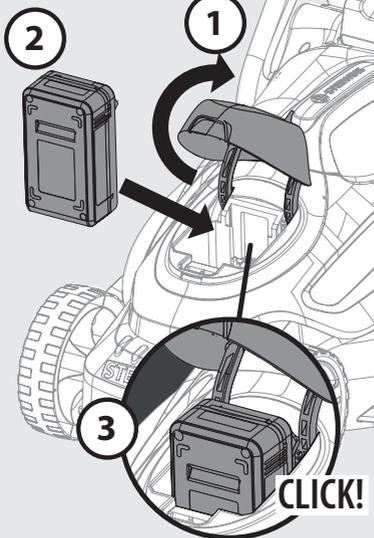
1



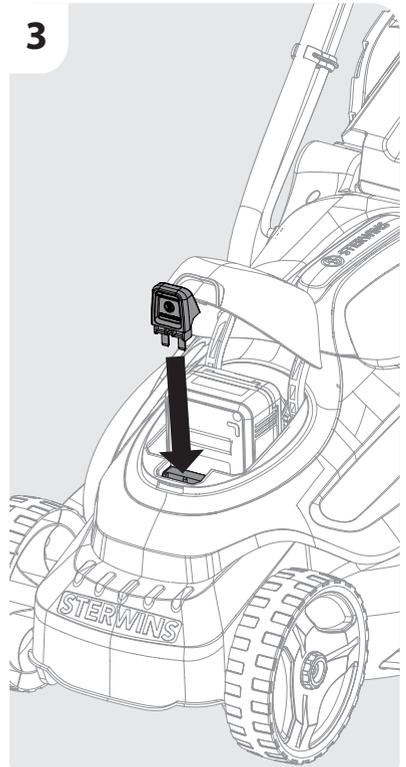
- A 1 + B 1
- A 2 + B 2
- A 3 + B 3
- A 4 + B 4

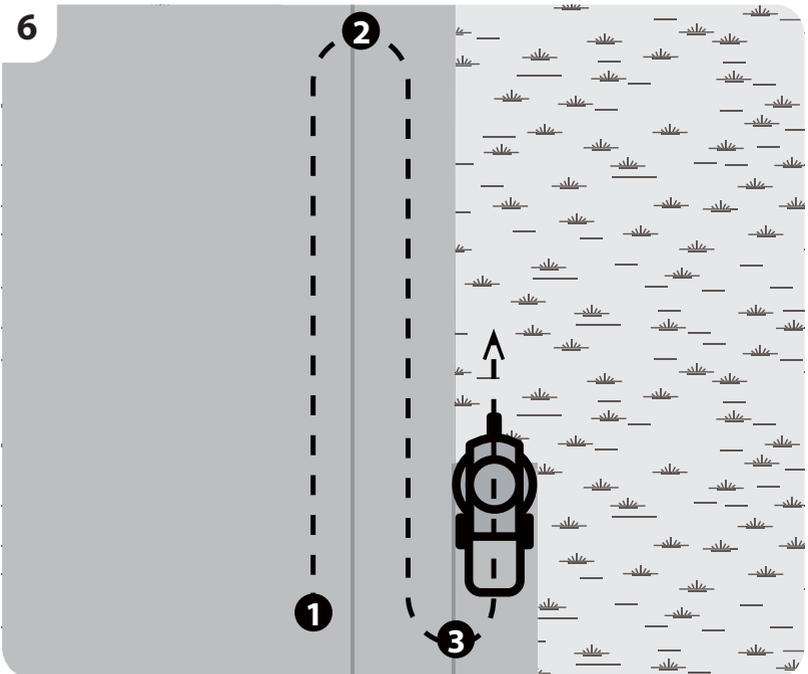
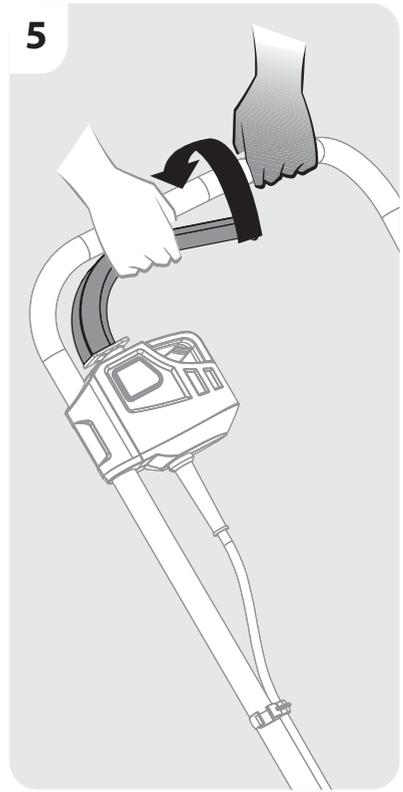
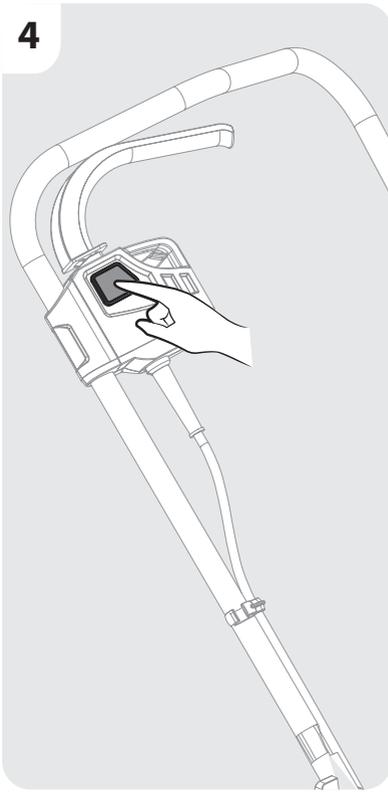


2

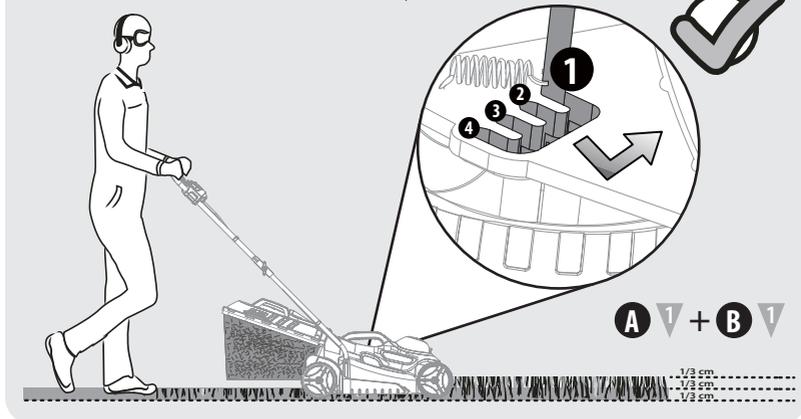
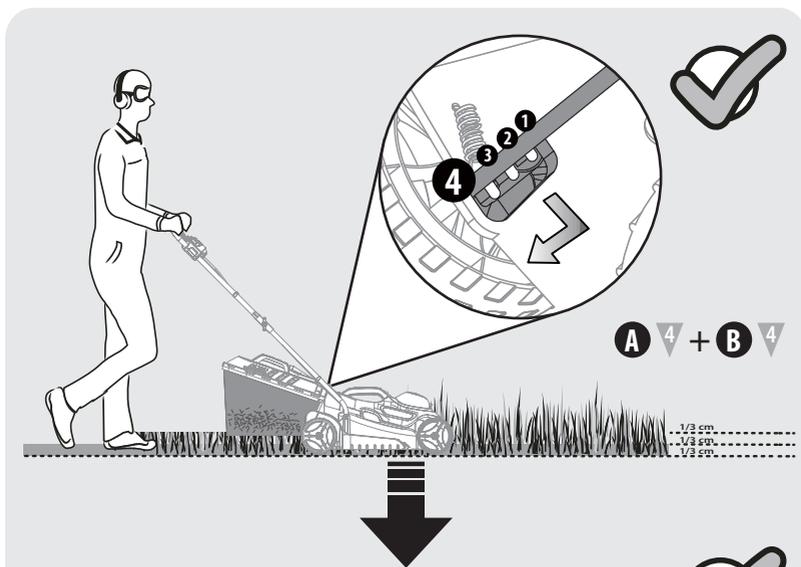
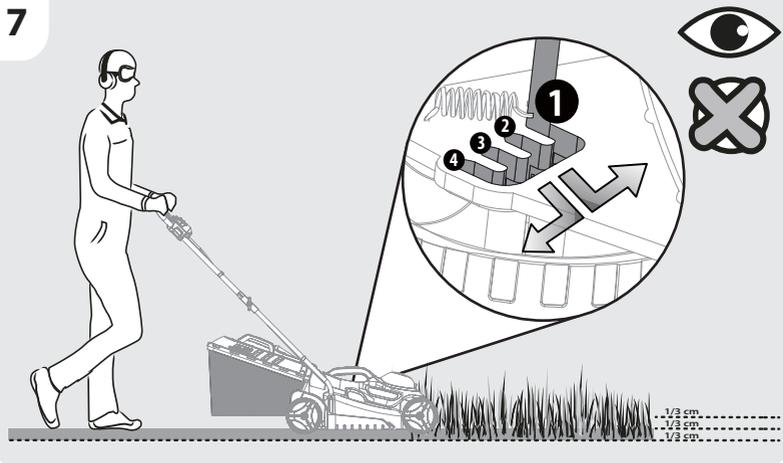


3

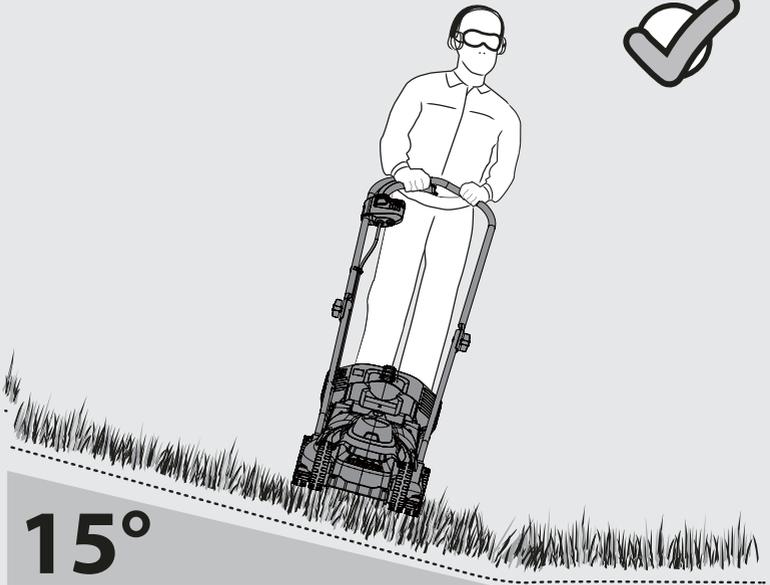


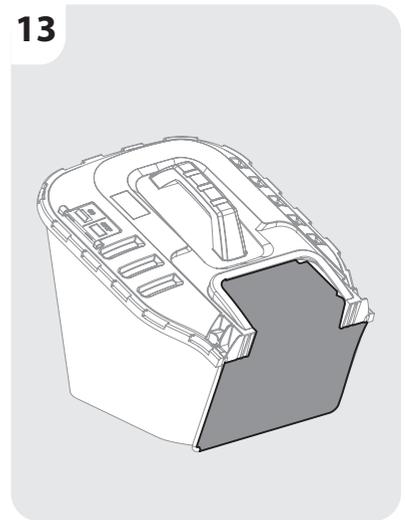
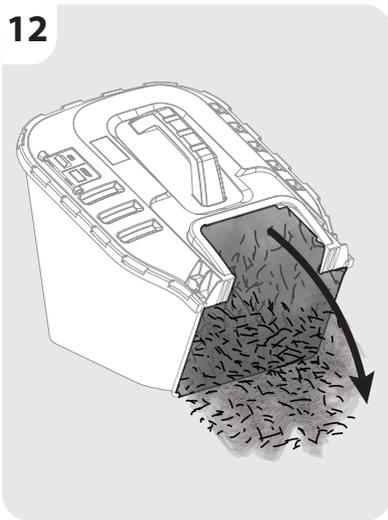
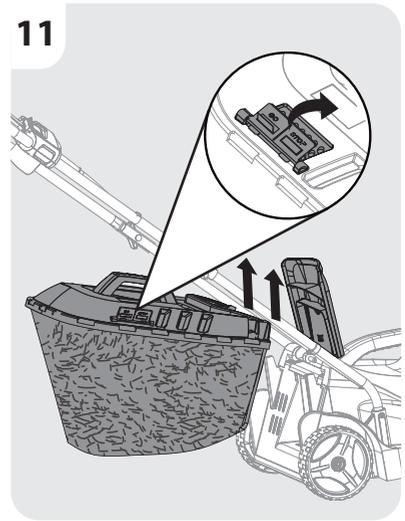
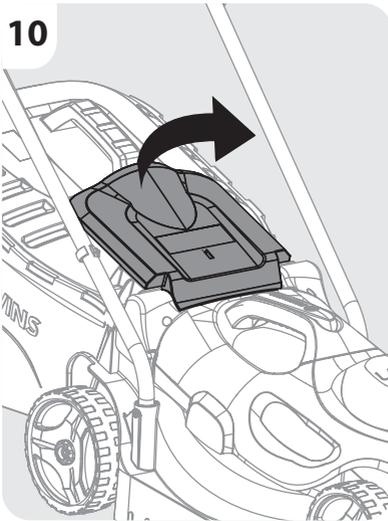
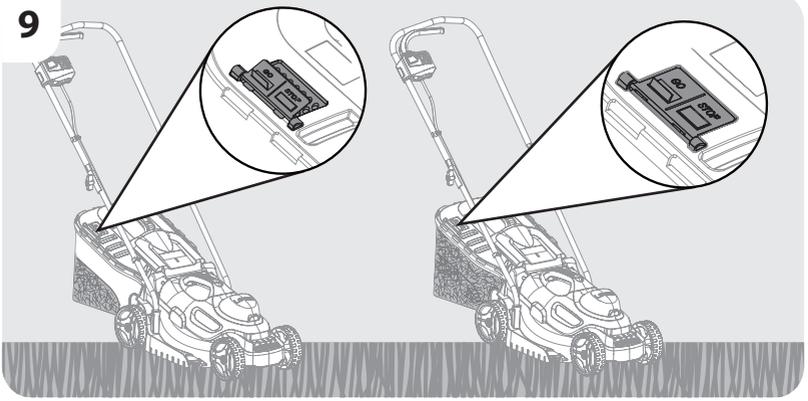


7



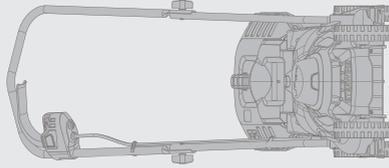
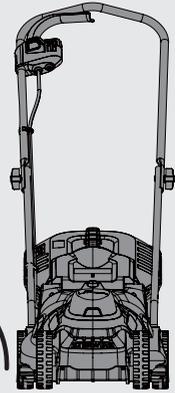
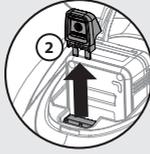
8





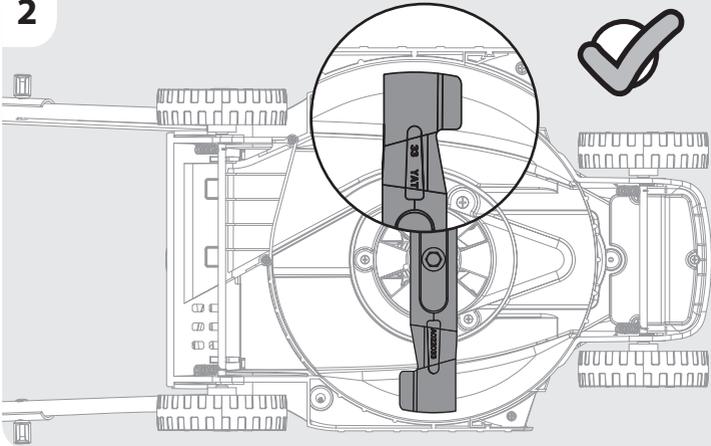


1

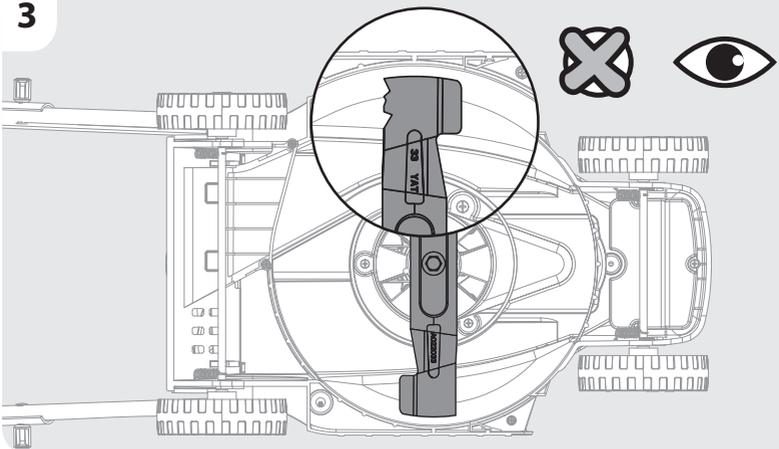


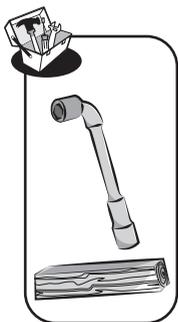
90

2

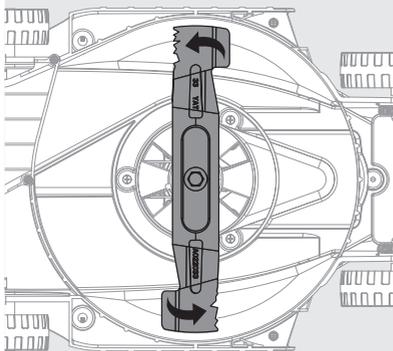


3

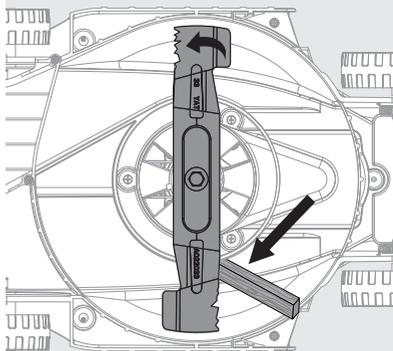




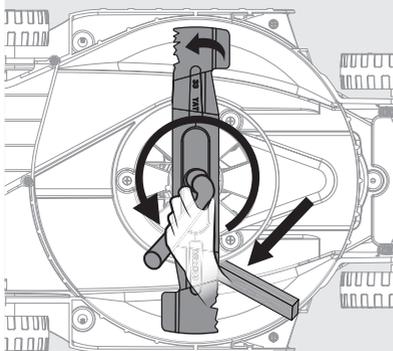
4



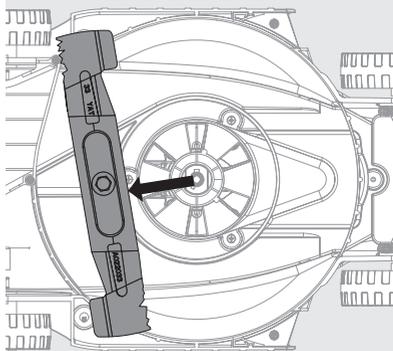
5



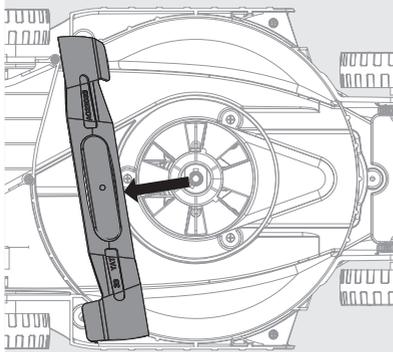
6



7

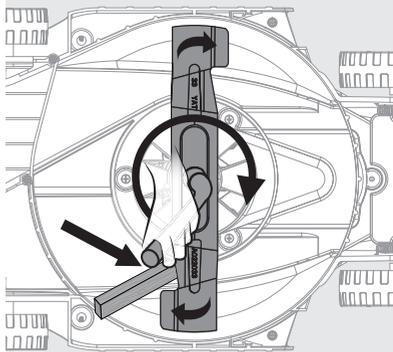


8



9

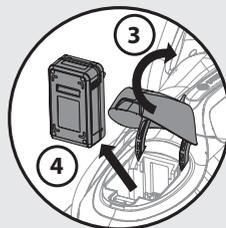
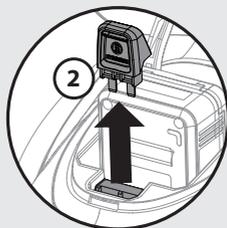
25-30N.m



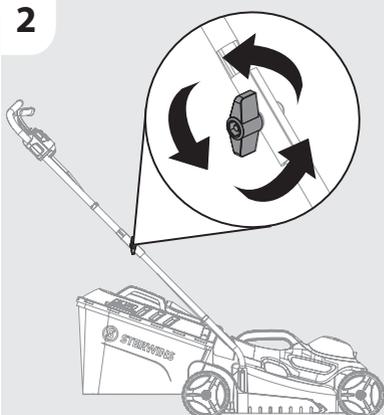
A022033 included



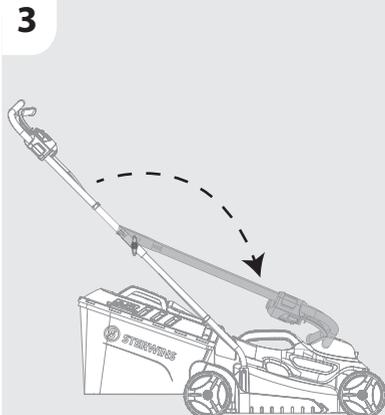
1



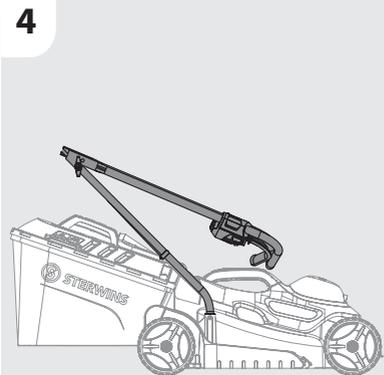
2



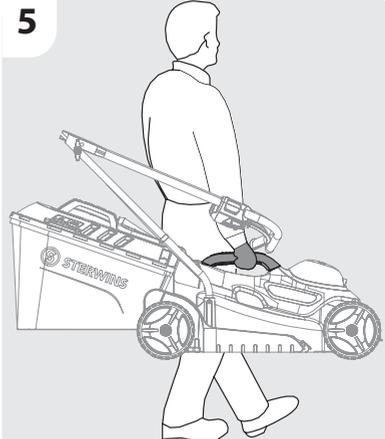
3



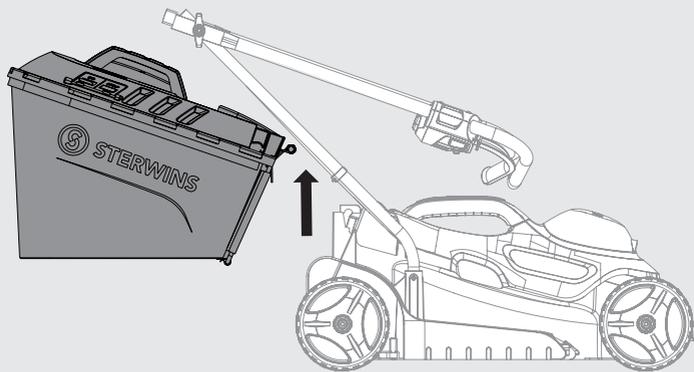
4



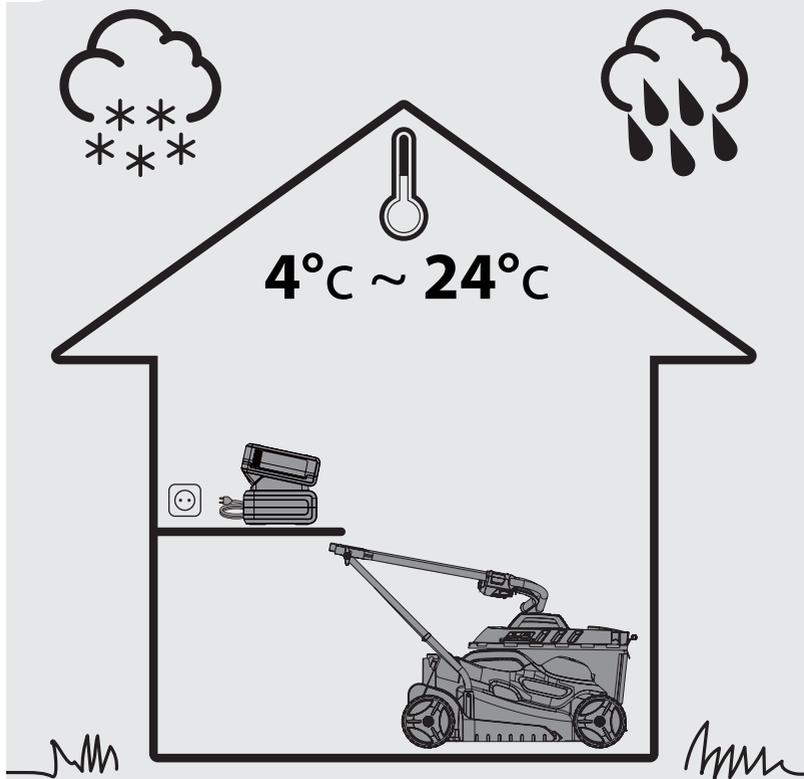
5



1



2





Ce produit se recycle,
s'il n'est plus utilisable
déposez-le en déchèterie.

Notice à trier.

Pour en savoir plus :
www.quefairedemesdechets.fr

- FR** Ce produit est recyclable. S'il ne peut plus être utilisé, veuillez l'apporter dans un centre de recyclage de déchets.
- ES** Este producto es reciclable. Si ya no se puede usar, llévalo a un centro de reciclaje de residuos.
- PT** Este produto é reciclável. Se deixar de o utilizar, entregue-o num centro de reciclagem de resíduos.
- IT** Questo prodotto può essere riciclato. Se deve essere smaltito, portalo presso un centro di riciclaggio.
- EL** Αυτό το προϊόν είναι ανακυκλώσιμο. Εάν δεν μπορεί πλέον να χρησιμοποιηθεί, μεταφέρετε την σε κάποιο κέντρο ανακύκλωσης απορριμμάτων.
- PL** Ten produkt poddawany jest recyklingowi, kiedy przestaje być użyteczny należy dostarczyć go do punktu zbiórki odpadów.
- RU** Этот продукт может перерабатываться. Если он больше не пригоден для пользования, сдайте его в утилизационный центр.
- KZ** бұл өнім қайта өңдеуге келеді. Оны әрі қолдануға болмайтын жағдайда, оны қайта өңдейтін орталыққа тапсыруыңызды өтінеміз
- UA** Цей продукт може перероблятися. Якщо воно більше не є придатне для використання, здайте його в утилізаційний центр.
- RO** Acest produs este reciclabil. Dacă nu mai poate fi folosit, vă rugăm să îl aduceți într-un centru de reciclare a deșeurilor.
- BR** Este produto é reciclável. Se não puder mais ser usado, descarte em um centro de reciclagem de resíduos.
- EN** This product is recyclable. If it cannot be used anymore, please take it to waste recycling centre.



Made in P.R.C. /
Сделано в Китае /
Қытайда жасалған **2020**

** Garantie 3 ans / 3 años de garantía / Garantia de 3 anos / Garanzia 3 anni /
Εγγύηση 3 ετών / Gwarranty 3-letnia / Гарантия 3 года / Кепілдік 3 жыл / Гарантія 3 років /
Garantje 3 ani / Garantia 3 anos / 3-year guarantee



Adeo Services - 135, rue Sadi Carnot - CS 00001 59790 - RONCHIN-France

ТОВ «Леруа Мерлен Україна»,
вул. Полярна 17а, м. Київ 04201, Україна

Импортер/Продавец/Лицо уполномоченное принимать претензии по качеству товара :
на территории Российской Федерации, ООО «ЛЕРУА МЕРЛЕН ВОСТОК», 141031, МО, г. Мытищи, Осташковское шоссе, д.1, Р

Importado e distribuído por LEROY MERLIN
CIA BRASILEIRA DE BRICOLAGEM
Rua Domingas Galleteri Blotta, 315 - Interlagos - CEP
04455-360 São Paulo - SP - Brazil (CNPJ: 01.438.784/0001-05
CALM (Central de Atendimento Leroy Merlin) -4020.5376
(capitais) e 0800.0205376 (demais regiões)

Imported by Adeo South Africa (PTY) LTD T/A Leroy Merlin
Leroy Merlin Greenstone Store
Corner Blackrock Street and Stoneridge Drive, Greenstone
Park Ext 2, Edenvale, 1610 Johannesburg, Gauteng, South Africa

Импорртаушы/Тауардың сапасы бойынша
наразылықтарды қабылдауға өкілетті тұлға :
Леруа Мерлен Қазақстан» ЖШС Қазақстан
Республикасы, 050000, Алматы қ., Қонаев көшесі, 77,
«ParkView» БО, б.к., 07-кеңсе

Поставщик/Импортер/организация, принимающая претензии по качеству товара в Республике Беларусь: ООО «Леруа Мерлен Бель», 220020, Республика Беларусь, г. Минск, пр-т Победителей, д. 100, каб. 503