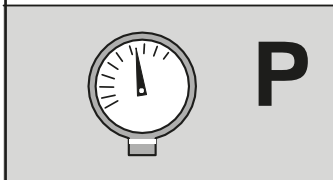
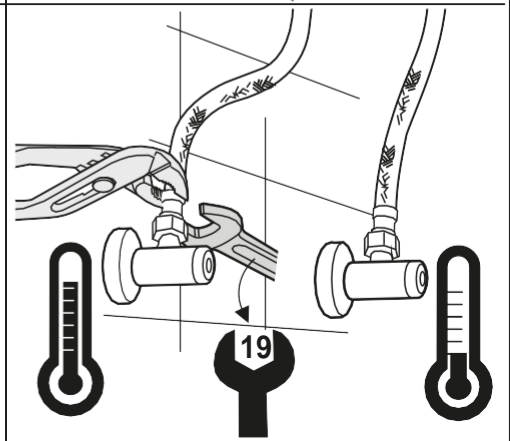
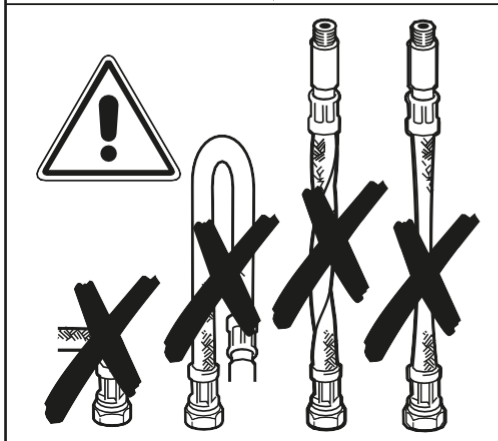
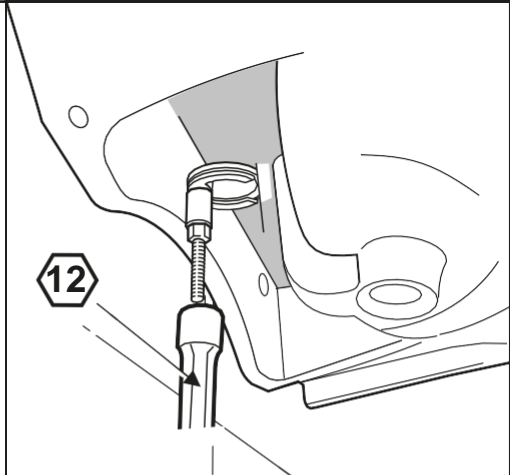
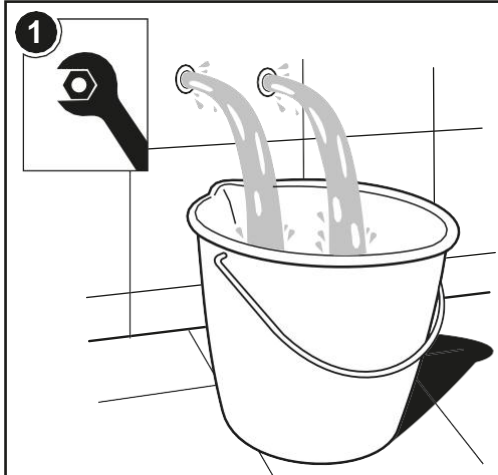


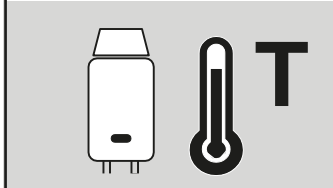
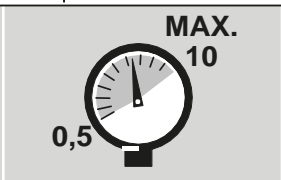
Roca

ETNA

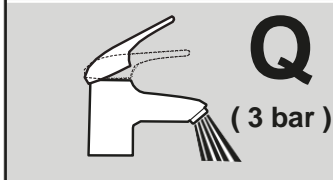
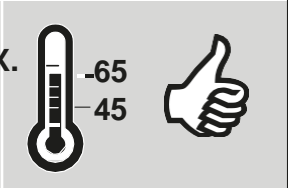
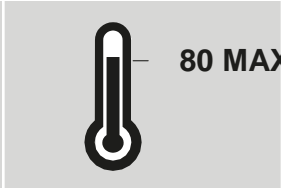




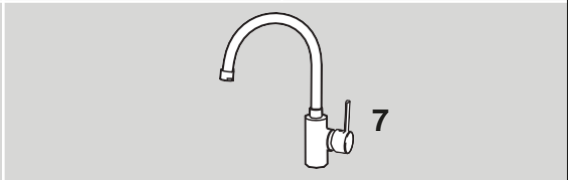
P
bar



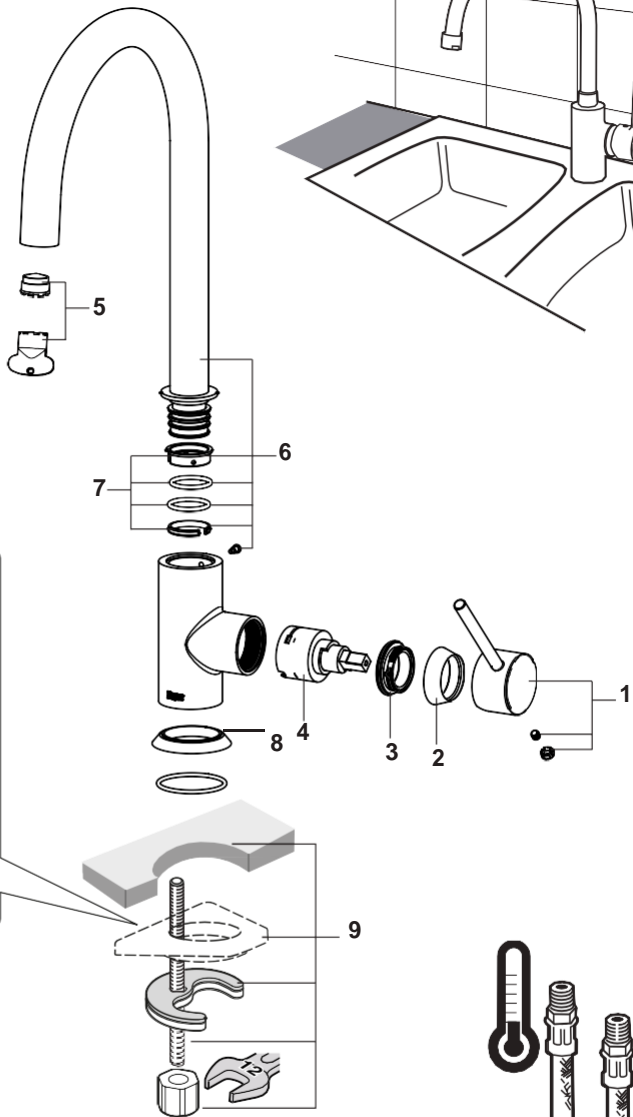
T
°C



Q
(3 bar) l/min



2



1. AG01734..R
2. AG01579..R
3. AG0158000R
4. AG0158100R
5. AG0158200R
6. AG01583..R
7. AG0158400R
8. AG01585..R
9. AG0158600R
10. AG0158700R
11. AG0158800R

Sostituire (..) de la referencia del recambio por el código del acabado elegido
 In the spare part number replace (..) with the code for the chosen finish:
 C0 Cromado / Chromed
 CN Negro / Black
 B0 Blanco / White

