

Intended use

Your BLACK+DECKER BEG010 angle grinder has been designed for grinding and cutting metal and masonry using the appropriate type of cutting or grinding disc. When fitted

with the appropriate guard, This tool is intended for consumer use only.

Safety instructions

General power tool safety warnings



Warning! Read all safety warnings and all instructions. Failure to follow the warnings and instructions listed below may result in electric shock, fire and/or serious injury.

Save all warnings and instructions for future reference.

The term "power tool" in all of the warnings listed below refers to your mains operated (corded) power tool or battery operated (cordless) power tool.

1. **Work area safety**
 - a. **Keep work area clean and well lit.** Cluttered or dark areas invite accidents.
 - b. **Do not operate power tools in explosive atmospheres, such as in the presence of flammable liquids, gases or dust.** Power tools create sparks which may ignite the dust or fumes.
 - c. **Keep children and bystanders away while operating a power tool.** Distractions can cause you to lose control.
2. **Electrical safety**
 - a. **Power tool plugs must match the outlet. Never modify the plug in any way. Do not use any adapter plugs with earthed (grounded) power tools.** Unmodified plugs and matching outlets will reduce risk of electric shock.
 - b. **Avoid body contact with earthed or grounded surfaces such as pipes, radiators, ranges and refrigerators.** There is an increased risk of electric shock if your body is earthed or grounded.
 - c. **Do not expose power tools to rain or wet conditions.** Water entering a power tool will increase the risk of electric shock.
 - d. **Do not abuse the cord. Never use the cord for carrying, pulling or unplugging the power tool. Keep cord away from heat, oil, sharp edges or moving parts.** Damaged or entangled cords increase the risk of electric shock.
 - e. **When operating a power tool outdoors, use an extension cord suitable for outdoor use.** Use of a cord suitable for outdoor use reduces the risk of electric shock.
 - f. **If operating a power tool in a damp location is unavoidable, use a residual current device (RCD) protected supply.** Use of an RCD reduces the risk of electric shock.
3. **Personal safety**
 - a. **Stay alert, watch what you are doing and use common sense when operating a power tool. Do not use a power tool while you are tired or under the influence of drugs, alcohol or medication.** A moment of inattention while operating power tools may result in serious personal injury.
 - b. **Use personal protective equipment. Always wear eye protection.** Protective equipment such as dust mask, non-skid safety shoes, hard hat, or hearing protection used for appropriate conditions will reduce personal injuries.
 - c. **Prevent unintentional starting. Ensure the switch is in the off-position before connecting to power source and/or battery pack, picking up or carrying the tool.** Carrying power tools with your finger on the switch or energising power tools that have the switch on invites accidents.
 - d. **Remove any adjusting key or wrench before turning the power tool on.** A wrench or a key left attached to a rotating part of the power tool may result in personal injury.
 - e. **Do not overreach. Keep proper footing and balance at all times.** This enables better control of the power tool in unexpected situations.
 - f. **Dress properly. Do not wear loose clothing or jewellery. Keep your hair, clothing and gloves away from moving parts.** Loose clothes, jewellery or long hair can be caught in moving parts.
 - g. **If devices are provided for the connection of dust extraction and collection facilities, ensure these are connected and properly used.** Use of dust collection can reduce dust-related hazards.
4. **Power tool use and care**
 - a. **Do not force the power tool. Use the correct power tool for your application.** The correct power tool will do the job better and safer at the rate for which it was designed.
 - b. **Do not use the power tool if the switch does not turn it on and off.** Any power tool that cannot be controlled with the switch is dangerous and must be repaired.
 - c. **Disconnect the plug from the power source and/or the battery pack from the power tool before making any adjustments, changing accessories, or storing power tools.** Such preventive safety measures reduce the risk of starting the power tool accidentally.

- d. **Store idle power tools out of the reach of children and do not allow persons unfamiliar with the power tool or these instructions to operate the power tool.** Power tools are dangerous in the hands of untrained users.
- e. **Maintain power tools.**
Check for misalignment or binding of moving parts, breakage of parts and any other condition that may affect the power tools operation. If damaged, have the power tool repaired before use. Many accidents are caused by poorly maintained power tools.
- f. **Keep cutting tools sharp and clean.** Properly maintained cutting tools with sharp cutting edges are less likely to bind and are easier to control.
- g. **Use the power tool, accessories and tool bits etc. in accordance with these instructions, taking into account the working conditions and the work to be performed.** Use of the power tool for operations different from those intended could result in a hazardous situation.
5. **Service**
- a. **Have your power tool serviced by a qualified repair person using only identical replacement parts.** This will ensure that the safety of the power tool is maintained.

Additional power tool safety warnings



Warning! Additional safety warnings Common for Grinding, Sanding, Wire Brushing or Abrasive Cutting-Off Operations:

- ◆ **This power tool is intended to function as a grinder, sander, wire brush, polisher or cut-off tool. Read all safety warnings, instructions, illustrations and specifications provided with this power tool.**
Failure to follow all instructions listed below may result in electric shock, fire and/or serious injury.
 - ◆ **Operations for which the power tool was not designed may create a hazard and cause personal injury.**
 - ◆ **Do not use accessories which are not specifically designed and recommended by the tool manufacturer.**
Just because the accessory can be attached to your power tool, it does not assure safe operation.
 - ◆ **The rated speed of the accessory must be at least equal to the maximum speed marked on the power tool.** Accessories running faster than their rated speed can break and fly apart.
 - ◆ **The outside diameter and the thickness of your accessory must be within the capacity rating of your power tool.** Incorrectly sized accessories cannot be adequately guarded or controlled.
 - ◆ **Threaded mounting of accessories must match the grinder spindle thread. For accessories mounted by flanges, the arbour hole of the accessory must fit the locating diameter of the flange.**
- Accessories that do not match the mounting hardware of the power tool will run out of balance, vibrate excessively and may cause loss of control.
- ◆ **Do not use a damaged accessory. Before each use inspect the accessory such as abrasive wheels for chips and cracks, backing pad for cracks, tear or excess wear, wire brush for loose or cracked wires. If power tool or accessory is dropped, inspect for damage or install an undamaged accessory. After inspecting and installing an accessory and run the power tool at maximum no-load speed for one minute.** Damaged accessories will normally break apart during this test time.
 - ◆ **Wear personal protective equipment. Depending on application, use face shield, safety goggles or safety glasses. As appropriate, wear dust mask, hearing protectors, gloves and workshop apron capable of stopping small abrasive or workpiece fragments.** The eye protection must be capable of stopping flying debris generated by various operations. The dust mask or respirator must be capable of filtering particles generated by your operation. Prolonged exposure to high intensity noise may cause hearing loss.
 - ◆ **Keep bystanders a safe distance away from work area. Anyone entering the work area must wear personal protective equipment.** Fragments of workpiece or of a broken accessory may fly away and cause injury beyond immediate area of operation.
 - ◆ **Hold power tool by insulated gripping surfaces only, when performing an operation where the cutting accessory may contact hidden wiring or its own cord.** Cutting accessory contacting a "live" wire may make exposed metal parts of the power tool "live" and shock the operator.
 - ◆ **Use clamps or another practical way to secure and support the workpiece to a stable platform.** Holding the work by hand or against your body leaves it unstable and may lead to loss of control.
 - ◆ **Position the cord clear of the spinning accessory.** If you lose control, the cord may be cut or snagged and your hand or arm may be pulled into the spinning accessory.
 - ◆ **Never lay the power tool down until the accessory has come to a complete stop.** The spinning accessory may grab the surface and pull the power tool out of your control.
 - ◆ **Do not run the power tool while carrying it at your side.** Accidental contact with the spinning accessory could snag your clothing, pulling the accessory into your body.
 - ◆ **Regularly clean the power tool's air vents.** The motor's fan will draw the dust inside the housing and excessive accumulation of powdered metal may cause electrical hazards.

- ◆ **Do not operate the power tool near flammable materials.** Sparks could ignite these materials.
- ◆ **Do not use accessories that require liquid coolants.** Using water or other liquid coolants may result in electrocution or shock.

Note: The above warning does not apply for power tools specifically designed for use with a liquid system.

Kickback and related warnings

Kickback is a sudden reaction to a pinched or snagged rotating wheel, backing pad, brush or any other accessory. Pinching or snagging causes rapid stalling of the rotating accessory which in turn causes the uncontrolled power tool to be forced in the direction opposite of the accessory's rotation at the point of the binding.

For example, if an abrasive wheel is snagged or pinched by the workpiece, the edge of the wheel that is entering into the pinch point can dig into the surface of the material causing the wheel to climb out or kick out. The wheel may either jump toward or away from the operator, depending on direction of the wheel's movement at the point of pinching.

Abrasive wheels may also break under these conditions.

Kickback is the result of power tool misuse and/or incorrect operating procedures or conditions and can be avoided by taking proper precautions as given below.

- ◆ **Maintain a firm grip on the power tool and position your body and arm to allow you to resist kickback forces. Always use auxiliary handle, if provided, for maximum control over kickback or torque reaction during start-up.** The operator can control torque reactions or kickback forces, if proper precautions are taken.
- ◆ **Never place your hand near the rotating accessory.** Accessory may kickback over your hand.
- ◆ **Do not position your body in the area where power tool will move if kickback occurs.** Kickback will propel the tool in direction opposite to the wheel's movement at the point of snagging.
- ◆ **Use special care when working corners, sharp edges etc. Avoid bouncing and snagging the accessory.** Corners, sharp edges or bouncing have a tendency to snag the rotating accessory and cause loss of control or kickback.
- ◆ **Do not attach a saw chain woodcarving blade or toothed saw blade.** Such blades create frequent kickback and loss of control.

Safety warnings specific for grinding and abrasive cutting-off operations

- ◆ **Use only wheel types that are recommended for your power tool and the specific guard designed for the selected wheel.** Wheels for which the power tool was not designed cannot be adequately guarded and are unsafe.
- ◆ **The grinding surface of centre depressed wheels must be mounted below the plane of the guard lip.** An improperly mounted wheel that projects through the plane of the guard lip cannot be adequately protected.
- ◆ **The guard must be securely attached to the power tool and positioned for maximum safety, so the least amount of wheel is exposed towards the operator.** The guard helps to protect the operator from broken wheel fragments, accidental contact with wheel and sparks that could ignite clothing.
- ◆ **Wheels must be used only for recommended applications. For example: do not grind with the side of cut-off wheel.** Abrasive cut-off wheels are intended for peripheral grinding, side forces applied to these wheels may cause them to shatter.
- ◆ **Always use undamaged wheel flanges that are of correct size and shape for your selected wheel.** Proper wheel flanges support the wheel thus reducing the possibility of wheel breakage. Flanges for cut-off wheels may be different from grinding wheel flanges.
- ◆ **Do not use worn down wheels from larger power tools.** Wheel intended for larger power tool is not suitable for the higher speed of a smaller tool and may burst.

Additional safety warnings specific for abrasive cutting-off operations

- ◆ **Do not "jam" the cut-off wheel or apply excessive pressure. Do not attempt to make an excessive depth of cut.** Over stressing the wheel increases the loading and susceptibility to twisting or binding of the wheel in the cut and the possibility of kickback or wheel breakage.
- ◆ **Do not position your body in line with and behind the rotating wheel.** When the wheel, at the point of operation, is moving away from your body, the possible kickback may propel the spinning wheel and the power tool directly at you.
- ◆ **When wheel is binding or when interrupting a cut for any reason, switch off the power tool and hold the power tool motionless until the wheel comes to a complete stop. Never attempt to remove the cut-off wheel from the cut while the wheel is in motion otherwise kickback may occur.** Investigate and take corrective action to eliminate the cause of wheel binding.
- ◆ **Do not restart the cutting operation in the workpiece. Let the wheel reach full speed and carefully re-enter the cut.** The wheel may bind, walk up or kickback if the power tool is restarted in the workpiece.

- ◆ **Support panels or any oversized workpiece to minimize the risk of wheel pinching and kickback.** Large workpieces tend to sag under their own weight. Supports must be placed under the workpiece near the line of cut and near the edge of the workpiece on both sides of the wheel.
- ◆ **Use extra caution when making a "pocket cut" into existing walls or other blind areas.** The protruding wheel may cut gas or water pipes, electrical wiring or objects that can cause kickback.

Safety warnings specific for sanding operations

- ◆ **Do not use excessively oversized sanding disc paper. Follow manufacturers recommendations, when selecting sanding paper.** Larger sanding paper extending beyond the sanding pad presents a laceration hazard and may cause snagging, tearing of the disc or kickback.

Safety warnings specific for wire brushing operations

- ◆ **Be aware that wire bristles are thrown by the brush even during ordinary operation. Do not overstress the wires by applying excessive load to the brush.** The wire bristles can easily penetrate light clothing and/or skin.
- ◆ **If the use of a guard is recommended for wire brushing, do not allow any interference of the wire wheel or brush with the guard.** Wire wheel or brush may expand in diameter due to work load and centrifugal forces.

Safety of others

- ◆ This appliance is not intended for use by persons (including children) with reduced physical, sensory or mental capabilities, or lack of experience and knowledge, unless they have been given supervision or instruction concerning use of the appliance by a person responsible for their safety.
- ◆ Children should be supervised to ensure that they do not play with the appliance.

Residual risks

Additional residual risks may arise when using the tool which may not be included in the enclosed safety warnings. These risks can arise from misuse, prolonged use etc. Even with the application of the relevant safety regulations and the implementation of safety devices, certain residual risks can not be avoided. These include:

- ◆ Injuries caused by touching any rotating/moving parts.
- ◆ Injuries caused when changing any parts, blades or accessories.

- ◆ Injuries caused by prolonged use of a tool. When using any tool for prolonged periods ensure you take regular breaks.
- ◆ Impairment of hearing.
- ◆ Health hazards caused by breathing dust developed when using your tool (example:- working with wood, especially oak, beech and MDF.)

Vibration

The declared vibration emission values stated in the technical data and the declaration of conformity have been measured in accordance with a standard test method provided by EN 60745 and may be used for comparing one tool with another. The declared vibration emission value may also be used in a preliminary assessment of exposure.

Warning! The vibration emission value during actual use of the power tool can differ from the declared value depending on the ways in which the tool is used. The vibration level may increase above the level stated.

When assessing vibration exposure to determine safety measures required by 2002/44/EC to protect persons regularly using power tools in employment, an estimation of vibration exposure should consider, the actual conditions of use and the way the tool is used, including taking account of all parts of the operating cycle such as the times when the tool is switched off and when it is running idle in addition to the trigger time.

Labels on tool

The following pictograms, along with the date code, are shown on the tool:



Warning! To reduce the risk of injury, the user must read the instruction manual.



Wear safety glasses or goggles when operating this tool.



Wear ear protection when operating this tool

Electrical safety



Your charger is double insulated; therefore no earth wire is required. Always check that the mains voltage corresponds to the voltage on the rating plate.

- ◆ If the supply cord is damaged, it must be replaced by the manufacturer or an authorised BLACK+DECKER Service Centre in order to avoid a hazard.

Voltage drops

Inrush currents cause short-time voltage drops. Under unfavourable power supply conditions, other equipment may be affected.

If the system impedance of the power supply is lower than 0.107 Ω, disturbances are unlikely to occur.

Features

This tool includes some or all of the following features.

1. On/off switch
2. Spindle lock
3. Guard
4. Side handle

Assembly

Warning! Before assembly, make sure that the tool is switched off and unplugged.

Fitting and removing the guard (fig. A1, A2)

The tool is supplied with a guard intended for grinding purposes only (type 27). If the unit is intended to perform cutting off operations, a guard specific for this operation (type 41) must be fitted. A suitable guard part numbers N642463 (for 115mm cutting wheel) can be obtained from BLACK+DECKER service centres.

- ◆ Place the tool on a table, with the spindle (5) facing up.
- ◆ Align the lugs (7) with the notches (8).
- ◆ Press the guard down and rotate it clockwise to the required position.
- ◆ Tighten the screw (6) to fix guard.

Removing

- ◆ Loosen the screw (6).
- ◆ Rotate the guard counter clockwise to align the lugs (7) with the notches (8).
- ◆ Remove the guard from the tool.

Warning! Never use the tool without the guard.

Fitting the side handle

- ◆ Screw the side handle (4) into one of the mounting holes in the tool.

Warning! Always use the side handle.

Fitting and removing grinding discs (fig. B - D)

Always use the correct type of disc for your application. Always use discs with the correct diameter and bore size (see technical data).

Fitting

- ◆ Fit the guard as described above.
- ◆ Place the inner flange (10) onto the spindle (5) as shown (fig. B).

Make sure that the flange is correctly located on the flat sides of the spindle.

- ◆ Place the disc (11) onto the spindle (5) as shown (fig. B). If the disc has a raised centre (12), make sure that the raised centre faces the inner flange.
- ◆ Make sure that the disc locates correctly on the inner flange.
- ◆ Place the outer flange (13) onto the spindle. When fitting a grinding disc, the raised centre on the outer flange must face towards the disc (A in fig. C). When fitting a cutting disc, the raised centre on the outer flange must face away from the disc (B in fig. C).
- ◆ Keep the spindle lock (2) depressed and tighten the outer flange using the two-pin spanner (14) (fig. D).

Removing

- ◆ Keep the spindle lock (2) depressed and loosen the outer flange (13) using the two-pin spanner (14) (fig. D).
- ◆ Remove the outer flange (13) and the disc (11).

Surface grinding with grinding discs

- ◆ Allow the tool to reach full speed before touching the tool to the work surface.
- ◆ Apply minimum pressure to the work surface, allowing the tool to operate at high speed. Grinding rate is greatest when the tool operates at high speed.
- ◆ Maintain a 20° to 30° angle between the tool and work surface as shown in figure F.
- ◆ Continuously move the tool in a forward and back motion to avoid creating gouges in the work surface.
- ◆ Remove the tool from work surface before turning tool off. Allow the tool to stop rotating before laying it down.

Edge grinding with grinding discs

Wheels used for cutting and edge grinding may break or kick back if they bend or twist while the tool is being used to do cutoff work or deep grinding. Edge grinding/ cutting with a Type 27 wheel must be limited to shallow cutting and notching, less than 13 mm in depth when the wheel is new. Reduce the depth of cutting/notching equal to the reduction of the wheel radius as it wears down. Refer to the 'Grinding and cutting accessory chart' at the end of this manual for more information. Edge grinding/cutting with a Type 41 wheel requires usage of a Type 41 guard.

- ◆ Allow the tool to reach full speed before touching the tool to the work surface.
- ◆ Apply minimum pressure to the work surface, allowing the tool to operate at high speed. Grinding rate is greatest when the tool operates at high speed.
- ◆ Position yourself so that the openunderside of the wheel is facing away from you.
- ◆ Once a cut is begun and a notch is established in the workpiece, do not change the angle of the cut.

Changing the angle will cause the wheel to bend and may cause wheel breakage.

Edge grinding wheels are not designed to withstand side pressures caused by bending.

- ◆ Remove the tool from the work surface before turning the tool off. Allow the tool to stop rotating before laying it down.

Warning! Do not use edge grinding/cutting wheels for surface grinding applications if the wheel label has forbidden such use because these wheels are not designed for side pressures encountered with surface grinding. Wheel breakage and serious personal injury may result.

Fitting and removing sanding discs (fig. D & E)

For sanding, a backing pad is required. The backing pad is available from your BLACK+DECKER dealer as an accessory.

Fitting

- ◆ Place the inner flange (10) onto the spindle (5) as shown (fig. E). Make sure that the flange is correctly located on the flat sides of the spindle.
- ◆ Place the backing pad (15) onto the spindle.
- ◆ Place the sanding disc (16) onto the backing pad.
- ◆ Place the outer flange (13) onto the spindle with the raised centre facing away from the disc.
- ◆ Keep the spindle lock (2) depressed and tighten the outer flange using the two-pin spanner (14) (fig. D). Make sure that the outer flange is fitted correctly and that the disc is clamped tightly.

Removing

- ◆ Keep the spindle lock (2) depressed and loosen the outer flange (13) using the two-pin spanner (14) (fig. D).
- ◆ Remove the outer flange (13), the sanding disc (16) and the backing pad (15).

Surface finishing with sanding discs

- ◆ Allow the tool to reach full speed before touching the tool to the work surface.
- ◆ Apply minimum pressure to work surface, allowing the tool to operate at high speed. Sanding rate is greatest when the tool operates at high speed.
- ◆ Maintain a 5° to 10° angle between the tool and work surface as shown in figure G.
- ◆ Continuously move the tool in a forward and back motion to avoid creating gouges in the work surface.
- ◆ Remove the tool from work surface before turning tool off. Allow the tool to stop rotating before laying it down.

Using sanding backing pads

Always choose the proper grit sanding discs for your application. Sanding discs are available in various grits.

Coarse grits yield faster material removal rates and a rougher finish. Finer grits yield slower material removal and a smoother finish.

Begin with coarse grit discs for fast, rough material removal. Move to a medium grit paper and finish with a fine grit disc for optimal finish.

- ◆ Coarse = 16 - 30 grit.
- ◆ Medium = 36 - 80 grit.
- ◆ Fine Finishing = 100 - 120 grit.
- ◆ Very Fine Finishing = 150 - 180 grit.
- ◆ Allow the tool to reach full speed before touching tool to the work surface.
- ◆ Apply minimum pressure to work surface, allowing the tool to operate at high speed. Sanding rate is greatest when the tool operates at high speed.
- ◆ Maintain a 5° to 10° angle between the tool and work surface as shown in figure H. The sanding disc should contact approximately 25mm of work surface.
- ◆ Move the tool constantly in a straight line to prevent burning and swirling of work surface. Allowing the tool to rest on the work surface without moving, or moving the tool in a circular motion causes burning and swirling marks on the work surface.
- ◆ Remove the tool from work surface before turning tool off. Allow the tool to stop rotating before laying it down.

Precautions to take when sanding paint

- ◆ Sanding of lead based paint is **NOT RECOMMENDED** due to the difficulty of controlling the contaminated dust. The greatest danger of lead poisoning is to children and pregnant women.
- ◆ Since it is difficult to identify whether or not a paint contains lead without a chemical analysis, we recommend the following precautions when sanding any paint:
 - ◆ No children or pregnant women should enter the work area where the paint sanding is being done until all clean up is completed.
 - ◆ A dust mask or respirator should be worn by all persons entering the work area. The filter should be replaced daily or whenever the wearer has difficulty breathing.

Note: Only those dust masks suitable for working with lead paint dust and fumes should be used. Ordinary painting masks do not offer this protection. See your local hardware dealer for the proper approved mask.

- ◆ NO EATING, DRINKING or SMOKING should be done in the work area to prevent ingesting contaminated paint particles. Workers should wash and clean up BEFORE eating, drinking or smoking. Articles of food, drink, or smoking should not be left in the work area where dust would settle on them.
- ◆ Paint should be removed in such a manner as to minimize the amount of dust generated.

- ◆ Areas where paint removal is occurring should be sealed with plastic sheeting of 4 mils thickness.
- ◆ Sanding should be done in a manner to reduce tracking of paint dust outside the work area.
- ◆ All surfaces in the work area should be vacuumed and thoroughly cleaned daily for the duration of the sanding project. Vacuum filter bags should be changed frequently.
- ◆ Plastic drop cloths should be gathered up and disposed of along with any dust chips or other removal debris. They should be placed in sealed refuse receptacles and disposed of through regular trash pick-up procedures. During clean up, children and pregnant women should be kept away from the immediate work area.
- ◆ All toys, washable furniture and utensils used by children should be washed thoroughly before being used again.

Fitting and using wire brushes and wire wheels

Wire cup brushes or wire wheels screw directly on the grinder spindle without the use of flanges. b. A Type 27 guard is required when using wire brushes and wheels. Wear work gloves when handling wire brushes and wheels. They can become sharp. Wheel or brush must not touch guard when mounted or while in use. Undetectable damage could occur to the accessory, causing wires to fragment from accessory wheel or cup.

- ◆ Thread the wheel on the spindle by hand.
- ◆ Depress spindle lock button and use a wrench on the hub of the wire wheel or brush to tighten the wheel.
- ◆ To remove the wheel, reverse the above procedure.

Warning! Failure to properly seat the wheel hub before turning the tool on may result in damage to tool or wheel. Wire wheels and brushes can be used for removing rust, scale and paint, and for smoothing irregular surfaces.

Note: The same precautions should be taken when wire brushing paint as when sanding paint.

- ◆ Allow the tool to reach full speed before touching the tool to the work surface.
- ◆ Apply minimum pressure to work surface, allowing the tool to operate at high speed. Material removal rate is greatest when the tool operates at high speed.
- ◆ Maintain a 5° to 10° angle between the tool and work surface for wire cup brushes as shown in figure I.
- ◆ Maintain contact between the edge of the wheel and the work surface with wire wheels.
- ◆ Continuously move the tool in a forward and back motion to avoid creating gouges in the work surface. Allowing the tool to rest on the work surface without moving, or moving the tool in a circular motion causes burning and swirling marks on the work surface.

- ◆ Remove the tool from the work surface before turning the tool off. Allow the tool to stop rotating before setting it down.

Warning! Use extra care when working over an edge, as a sudden sharp movement of grinder may be experienced.

Mounting and using cutting (type 41) wheels

Cutting wheels include diamond wheels and abrasive discs. Abrasive cutting wheels for metal and concrete use are available. Diamond blades for concrete cutting can also be used.

NOTE: A closed, 2-sided Type 41 cutting wheel guard is sold separately and is required when using cutting wheels. Failure to use proper flange and guard can result in injury resulting from wheel breakage and wheel contact. Matching diameter backing flange and threaded clamp nut (included with tool) must be used for cutting wheels.

Mounting closed (type 41) guard (Fig. J, K,)

- ◆ Align the three lugs on the guard with the three slots on the hub. This will align the lugs with slots on the gear case cover as shown in figure J.
- ◆ Push the guard down until the guard lug engages in the groove on the gear case hub.
- ◆ Rotate guard clockwise to lock it into place. The guard body should be positioned between the spindle and the operator to provide maximum operator protection.
- ◆ Tighten the guard latch screw to secure the guard on the gear case cover. You should be unable to rotate the guard by hand. Do not operate grinder with a loose guard.
- ◆ To remove the guard, loosen the guard latch screw. Then rotate the guard so that the three lugs on the guard align with the three slots on the hub and pull up on the guard.

Mounting cutting wheels

- ◆ Place the unthreaded backing flange on spindle with the raised section (pilot) facing up. The raised section (pilot) on the backing flange will be against the wheel when the wheel is installed.
- ◆ Place the wheel on the backing flange, centering the wheel on the raised section (pilot).
- ◆ Install the threaded clamp nut with the raised section (pilot) facing away from the wheel.
- ◆ Depress the spindle lock button and tighten clamp nut with included wrench.
- ◆ To remove the wheel, depress the spindle lock button and loosen the threaded clamp nut with included wrench.

Warning! Do not use edge grinding/cutting wheels for surface grinding applications because these wheels are not designed for side pressures encountered with surface grinding. Wheel breakage and injury may result.

- ◆ Allow tool to reach full speed before touching tool to work surface.

- ◆ Apply minimum pressure to work surface, allowing tool to operate at high speed. Cutting rate is greatest when the tool operates at high speed.
- ◆ Once a cut is begun and a notch is established in the workpiece, do not change the angle of the cut. Changing the angle will cause the wheel to bend and may cause wheel breakage.
- ◆ Remove the tool from work surface before turning tool off. Allow the tool to stop rotating before setting it down.

Use

Warning! Let the tool work at its own pace. Do not overload.

- ◆ Carefully guide the cable in order to avoid accidentally cutting it.
- ◆ Be prepared for a stream of sparks when the grinding or cutting disc touches the workpiece.
- ◆ Always position the tool in such a way that the guard provides optimum protection from the grinding or cutting disc.

Switching on and off

- ◆ To switch the tool on, press the on/off switch (1).
- ◆ To switch the tool off, release the on/off switch (1).

Warning! Do not switch the tool off while under load.

Hints for optimum use

- ◆ **Firmly hold the tool with one hand around the side handle and the other hand around the main handle.**
- ◆ When grinding, always maintain an angle of approx. 15° between the disc and the workpiece surface.

Maintenance

Your BLACK+DECKER corded/cordless appliance/tool has been designed to operate over a long period of time with a minimum of maintenance. Continuous satisfactory operation depends upon proper tool care and regular cleaning.

Warning! Before performing any maintenance on corded/cordless power tools:

- ◆ Switch off and unplug the appliance/tool.
- ◆ Or switch off and remove the battery from the appliance/tool if the appliance/tool has a separate battery pack.
- ◆ Or run the battery down completely if it is integral and then switch off.
- ◆ Unplug the charger before cleaning it. Your charger does not require any maintenance apart from regular cleaning.
- ◆ Regularly clean the ventilation slots in your appliance/tool/charger using a soft brush or dry cloth.
- ◆ Regularly clean the motor housing using a damp cloth. Do not use any abrasive or solvent-based cleaner.
- ◆ Regularly open the chuck and tap it to remove any dust

from the interior (when fitted).

Mains plug replacement (U.K. & Ireland only)

If a new mains plug needs to be fitted:

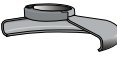
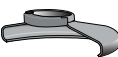
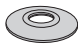
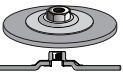
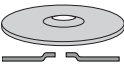

- ◆ Safely dispose of the old plug.
- ◆ Connect the brown lead to the live terminal in the new plug.
- ◆ Connect the blue lead to the neutral terminal.

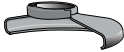





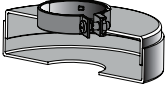
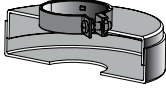






Warning! No connection is to be made to the earth terminal. Follow the fitting instructions supplied with good quality plugs. Recommended fuse: 13 A.








Troubleshooting

Problem	Possible cause	Possible solution
Unit will not start.	Cord not plugged in. Cord or switch is damaged.	Plug tool into a working outlet. Have cord or switch replaced at a BLACK+DECKER service center or authorizedservicer.)

Grinding and cutting accessory chart

Grinding Wheels	
 Type 27 guard	 Type 27 guard
 Unthreaded backing flange	 Type 27 hubbed wheel
 Type 27 depressed center wheel	
 Threaded clamp nut	

Sanding Flap Discs	
	
Type 27 guard	Type 27 guard
	
	Unthreaded backing flange
	
Hubbed sanding flap disc	non-hubbed sanding flap disc
	
	Threaded clamp nut
Type 41 Cutting Wheels	
	
Type 41 guard	Type 41 guard
	
Backing flange	Backing flange
	
Abrasive cutting wheel	Diamond cutting wheel
	
Clamp nut	Clamp nut

Wire Wheels	
	
Type 27 guard	Type 27 guard
	
3 inch wire cup brush	4 inch wire cup brush
Sanding Discs	
	
Rubber backing pad	
	
Sanding disc	
	
Threaded clamp nut	

Protecting the environment



Separate collection. Products and batteries marked with this symbol must not be disposed of with normal household waste.

Products and batteries contain materials that can be recovered or recycled reducing the demand for raw materials. Please recycle electrical products and batteries according to local provisions. Further information is available at www.2helpU.com

Technical data

		BEG010 Type 1
Input voltage	V _{AC}	230
Power input	W	710
Rated speed	min ⁻¹	12000
Disc bore	mm	22

Max disc thickness		
Grinding discs	mm	6
Cutting discs	mm	3.5
Spindle size		M14
Weight	Kg	1.7

Level of sound pressure according to EN 60745:	
Sound pressure (L_{pA})	89 dB(A), uncertainty (K) 3 dB(A)
acoustic power (L_{WA})	100 dB(A), uncertainty (K) 3 dB(A)

Vibration total values (triax vector sum) according to EN 60745:	
Surface grinding ($a_{g,0}$)	5.1 m/s ² , uncertainty (K) 1.5 m/s ²
Cutting off ($a_{h,CO}$)	4.8 m/s ² , uncertainty (K) 1.5 m/s ²
Disc sanding ($a_{h,DS}$)	6.6 m/s ² , uncertainty (K) 1.5 m/s ²

EC declaration of conformity
MACHINERY DIRECTIVE



BEG010 Angle grinder

Black & Decker declares that these products described under "technical data" are in compliance with:
2006/42/EC, EN 60745-1:2009 + A11:2010;
EN 60745-2-3:2011 + A2:2013 + A11:2014
+ A12:2014 + A13:2015

These products also comply with Directive
2014/30/EU and 2011/65/EU.

For more information, please contact Black & Decker at the following address or refer to the back of the manual.

The undersigned is responsible for compilation of the technical file and makes this declaration on behalf of Black & Decker..

R. Laverick
Director of Engineering
Black & Decker Europe, 210 Bath Road, Slough,
Berkshire, SL1 3YD
United Kingdom
27/09/2017

Guarantee

Black & Decker is confident of the quality of its products and offers consumers a 24 month guarantee from the date of purchase. This guarantee is in addition to and in no way prejudices your statutory rights. The guarantee is valid within the territories of the Member States of the European Union and the European Free Trade Area.

To claim on the guarantee, the claim must be in accordance with Black & Decker Terms and Conditions and you will need to submit proof of purchase to the seller or an authorised repair agent. Terms and conditions of the Black & Decker 2 year guarantee and the location of your nearest authorised repair agent can be obtained on the Internet at www.2helpU.com, or by contacting your local Black & Decker office at the address indicated in this manual.

Please visit our website www.blackanddecker.co.uk to register your new Black & Decker product and receive updates on new products and special offers.

(Übersetzung der ursprünglichen Anweisungen)

Verwendungszweck

Ihr BLACK+DECKER Winkelschleifer BEG010 wurde zum Schleifen und Schneiden von Metall und Mauerwerk mit dem entsprechenden Typ von Schleif- oder Trennscheibe vorgesehen. Mit dem entsprechenden Schutz versehen, ist dieses Werkzeug nur für den Verbrauchergebrauch vorgesehen.

Sicherheitshinweise

Allgemeine Sicherheitswarnungen für das Gerät



Warnung! Lesen Sie alle

Sicherheitswarnhinweise und alle Anweisungen.

Die Nichteinhaltung der folgenden Warnungen und Anweisungen kann einen elektrischen Schlag, Brand und/oder schwere Verletzungen verursachen.

Bewahren Sie alle Sicherheitshinweise und

Anweisungen gut auf. Der nachfolgend verwendete Begriff "Gerät" bezieht sich auf netzbetriebene Geräte (mit Netzkabel) und auf akkubetriebene Geräte (ohne Netzkabel).

1. Sicherheit im Arbeitsbereich

- a. Halten Sie Ihren Arbeitsbereich sauber und gut ausgeleuchtet.** Unaufgeräumte oder dunkle Bereiche begünstigen Unfälle.
- b. Betreiben Sie das Gerät nicht in Umgebungen, in denen Explosionsgefahr z. B. aufgrund von brennbaren Flüssigkeiten, Gasen oder Staub besteht.** Geräte erzeugen Funken, die den Staub oder die Dämpfe entzünden können.

- c. **Halten Sie Kinder und andere Personen während der Benutzung eines Geräts fern.** Bei Ablenkung können Sie die Kontrolle verlieren.
2. **Elektrische Sicherheit**
- a. **Der Netzstecker des Geräts muss in die Steckdose passen. Ändern Sie niemals den Stecker in irgendeiner Form. Verwenden Sie keinerlei Adapterstecker an geerdeten Elektrogeräten.** Unveränderte Stecker und passende Steckdosen mindern die Gefahr eines elektrischen Schlages.
- b. **Vermeiden Sie Körperkontakt mit geerdeten Oberflächen von Rohren, Heizungen, Herden und Kühlschränken.** Es besteht eine erhöhte Gefahr für einen elektrischen Schlag, wenn Ihr Körper geerdet ist.
- c. **Halten Sie Geräte von Regen und Nässe fern.** Das Eindringen von Wasser in ein Gerät erhöht das Risiko eines elektrischen Schlages.
- d. **Verwenden Sie das Kabel ordnungsgemäß. Verwenden Sie es niemals zum Tragen. Trennen Sie das Gerät nicht durch Ziehen am Kabel vom Netz. Halten Sie das Kabel fern von Hitze, Öl, scharfen Kanten oder beweglichen Teilen.** Beschädigte oder verhedderte Kabel erhöhen die Gefahr eines elektrischen Schlages.
- e. **Verwenden Sie nur für den Außenbereich zugelassene Verlängerungskabel, wenn Sie mit dem Gerät im Freien arbeiten.** Die Verwendung eines für den Außenbereich geeigneten Verlängerungskabels verringert das Risiko eines elektrischen Schlages.
- f. **Wenn das Gerät in einer feuchten Umgebung verwendet werden muss, schließen Sie es unbedingt an eine Steckdose mit Fehlerstromschutzschalter (FI-Schalter) an.** Der Einsatz eines Fehlerstromschutzschalters mindert die Gefahr eines elektrischen Schlages.
3. **Sicherheit von Personen**
- a. **Seien Sie aufmerksam, achten Sie darauf, was Sie tun, und gehen Sie sachgerecht mit einem Gerät um. Benutzen Sie kein Gerät, wenn Sie müde sind oder unter dem Einfluss von Drogen, Alkohol oder Medikamenten stehen.** Ein Moment der Unachtsamkeit beim Betrieb eines Geräts kann zu schweren Verletzungen führen.
- b. **Verwenden Sie eine geeignete Schutzausrüstung. Tragen Sie immer einen Augenschutz.** Das Tragen persönlicher Schutzausrüstung, wie Staubmaske, rutschfeste Sicherheitsschuhe, Schutzhelm oder Gehörschutz, je nach Art und Einsatz des Geräts, verringert das Risiko von Verletzungen.
- c. **Vermeiden Sie eine unbeabsichtigte Inbetriebnahme. Vergewissern Sie sich, dass das Gerät ausgeschaltet ist, bevor Sie es an eine Steckdose oder einen Akku anschließen, es hochheben oder tragen.** Wenn Sie beim Tragen des Geräts den Finger am Schalter haben oder das Gerät eingeschaltet an die Stromversorgung anschließen, kann dies zu Unfällen führen.
- d. **Entfernen Sie Einstell- oder Schraubenschlüssel, bevor Sie das Gerät einschalten.** Werkzeuge oder Schlüssel, die an rotierenden Teilen des Geräts angebracht sind, können zu Verletzungen führen.
- e. **Beugen Sie sich nicht zu weit nach vorne. Sorgen Sie für einen sicheren Stand und halten Sie jederzeit das Gleichgewicht.** Dadurch können Sie das Gerät in unerwarteten Situationen besser kontrollieren.
- f. **Tragen Sie geeignete Kleidung. Tragen Sie keine weite Kleidung und keinen Schmuck. Halten Sie Ihre Haare, Kleidung und Handschuhe von beweglichen Teilen fern.** Lose sitzende Kleidung, Schmuck oder lange Haare können sich in den beweglichen Teilen verfangen.
- g. **Falls Vorrichtungen zum Absaugen oder Auffangen von Staub vorhanden sind, vergewissern Sie sich, dass diese angeschlossen sind und richtig verwendet werden.** Das Verwenden einer Staubauffangvorrichtung verringert Gefährdungen durch Staub.
4. **Gebrauch und Pflege von Geräten**
- a. **Überlasten Sie das Gerät nicht. Verwenden Sie das für Ihre Arbeit passende Gerät.** Das richtige Gerät wird die Aufgabe besser und sicherer erledigen, wenn es bestimmungsgemäß verwendet wird.
- b. **Verwenden Sie das Gerät nicht, wenn der Ein-/Ausschalter nicht funktioniert.** Ein Gerät, das sich nicht mehr ein- oder ausschalten lässt, ist gefährlich und muss repariert werden.
- c. **Ziehen Sie den Stecker aus der Steckdose, oder trennen Sie das Gerät vom Akku, bevor Sie Einstellungen vornehmen, Zubehörteile wechseln oder das Gerät lagern.** Diese Vorbeugemaßnahmen mindern die Gefahr, dass das Elektrogerät unbeabsichtigt startet.
- d. **Bewahren Sie unbenutzte Geräte außerhalb der Reichweite von Kindern auf. Lassen Sie Geräte nicht von Personen benutzen, die damit nicht vertraut sind oder diese Anweisungen nicht gelesen haben.** Geräte sind in den Händen nicht geschulter Personen gefährlich.
- e. **Halten Sie das Gerät in einem einwandfreien Zustand. Kontrollieren Sie, ob bewegliche Teile falsch ausgerichtet sind oder klemmen und ob Teile gebrochen oder so beschädigt sind, dass die Funktion des Geräts beeinträchtigt ist. Bei Beschädigungen lassen Sie das Gerät reparieren, bevor Sie es verwenden.** Viele Unfälle entstehen wegen mangelnder Wartung der Geräte.

- f. **Halten Sie Schneidgeräte scharf und sauber.** Richtig gewartete Schneidwerkzeuge mit scharfen Klingen blockieren seltener und sind leichter unter Kontrolle zu halten.
- g. **Verwenden Sie Gerät, Zubehör, Einsatz-Bits usw. entsprechend diesen Anweisungen und berücksichtigen Sie dabei die Arbeitsbedingungen und die auszuführende Arbeit.** Der Gebrauch von Geräten für andere als die vorgesehenen Zwecke kann zu gefährlichen Situationen führen.
5. **Service**
- a. **Lassen Sie das Gerät nur von qualifiziertem Fachpersonal und nur mit Originalersatzteilen reparieren.** Damit wird sichergestellt, dass die Sicherheit des Geräts erhalten bleibt.

Zusätzliche Sicherheitswarnungen für das Gerät



Warnung! Zusätzliche Sicherheitshinweise für Schleif-, Schmirgel-, Drahtbürst- oder Trennschleifarbeiten:

- ◆ **Dieses Gerät kann als Schleif-, Drahtbürst-, Polier- oder Trenngerät verwendet werden. Beachten Sie alle Sicherheitshinweise, Anweisungen, Darstellungen und Daten, die Sie mit dem Gerät erhalten.** Wenn Sie die folgenden Anweisungen nicht beachten, kann es zu elektrischem Schlag, Feuer und/oder schweren Verletzungen kommen.
 - ◆ **Verwendungen, für die das Elektrowerkzeug nicht vorgesehen ist, können Gefährdungen und Verletzungen verursachen.**
 - ◆ **Verwenden Sie ausschließlich Zubehör, das speziell für das Gerät angefertigt wurde und vom Gerätehersteller empfohlen wird.** Nur weil Sie das Zubehör an Ihrem Elektrowerkzeug befestigen können, garantiert dies keine sichere Verwendung.
 - ◆ **Die Geschwindigkeit, für die das Zubehör ausgelegt ist, muss mindestens der Höchstgeschwindigkeit entsprechen, die auf dem Gerät angegeben ist.** Zubehör, das sich schneller als zulässig dreht, kann zerbrechen und umherfliegen.
 - ◆ **Der Außendurchmesser und die Stärke des Zubehörs müssen innerhalb der Gerätekapazität liegen.** Zubehör mit falschen Maßen kann nicht ausreichend kontrolliert werden.
 - ◆ **Das Gewinde von Zubehör muss mit dem Spindelgewinde des Schleifers zusammenpassen. Bei Zubehör mit Flanschbefestigung muss das Aufnahme Loch des Zubehörs mit dem Flanschdurchmesser übereinstimmen.**
- Zubehör, das nicht genau auf die Schleifspindel des Elektrowerkzeugs passt, dreht sich ungleichmäßig, vibriert sehr stark und kann zum Verlust der Kontrolle führen.
- ◆ **Verwenden Sie kein beschädigtes Zubehör. Kontrollieren Sie vor jeder Verwendung Einsatzwerkzeuge wie Schleifscheiben auf Absplitterungen und Risse, Schleifteller auf Risse, Verschleiß oder starke Abnutzung, Drahtbürsten auf lose oder gebrochene Drähte. Wenn das Elektrowerkzeug oder das Einsatzwerkzeug heruntergefallen ist, überprüfen Sie, ob es beschädigt ist, oder verwenden Sie ein unbeschädigtes Einsatzwerkzeug. Wenn nach der Überprüfung das Zubehör montiert wird, muss das Gerät eine Minute lang bei maximaler Leerlaufdrehzahl betrieben werden.** Beschädigte Einsatzwerkzeuge brechen meist in dieser Testzeit.
 - ◆ **Tragen Sie persönliche Schutzausrüstung. Verwenden Sie je nach Anwendung Vollgesichtsschutz, Augenschutz oder Schutzbrille. Soweit angemessen, tragen Sie Staubmaske, Gehörschutz, Schutzhandschuhe oder Spezialschürze, die kleine Schleif- und Materialpartikel von Ihnen fernhält.** Die Augen sollen vor herumfliegenden Fremdkörpern geschützt werden, die bei verschiedenen Anwendungen entstehen. Die Staub- oder Atemmaske muss die Partikel filtern können, die durch den Einsatz entstehen. Wenn Sie lange lautem Lärm ausgesetzt sind, können Sie einen Hörverlust erleiden.
 - ◆ **Halten Sie andere Personen vom Arbeitsbereich fern. Jeder, der den Arbeitsbereich betritt, muss persönliche Schutzausrüstung tragen.** Bruchstücke des Werkstücks oder gebrochener Einsatzwerkzeuge können wegfiegen und Verletzungen auch außerhalb des direkten Arbeitsbereichs verursachen.
 - ◆ **Halten Sie das Gerät ausschließlich an den isolierten Griffflächen, wenn Sie Arbeiten ausführen, bei denen das Werkzeug ein verdecktes Kabel oder das Geräte kabel berühren könnte.** Der Kontakt mit einer spannungsführenden Leitung kann auch metallene Geräteteile unter Spannung setzen und zu einem elektrischen Schlag führen.
 - ◆ **Sichern Sie das Werkstück zum Beispiel mit Einspannvorrichtungen auf einer stabilen Plattform.** Das Werkstück ist instabil, wenn es mit der Hand oder dem Körper abgestützt wird, was zum Verlust der Kontrolle führen kann.
 - ◆ **Achten Sie darauf, dass das Kabel nicht von sich drehendem Zubehör erfasst werden kann.** Wenn Sie die Kontrolle über das Gerät verlieren, kann das Netzkabel durchtrennt oder erfasst werden und Ihre Hand oder Ihr Arm in das sich drehende Einsatzwerkzeug geraten.

- ◆ **Warten Sie stets, bis das Zubehör vollständig zum Stillstand gekommen ist, bevor Sie das Gerät ablegen.** Das sich drehende Einsatzwerkzeug kann in Kontakt mit der Ablagefläche geraten, wodurch Sie die Kontrolle über das Elektrowerkzeug verlieren können.
- ◆ **Lassen Sie das Elektrowerkzeug nicht laufen, während Sie es tragen.** Ihre Kleidung kann durch zufälligen Kontakt mit dem sich drehenden Einsatzwerkzeug erfasst werden, und das Einsatzwerkzeug sich in Ihren Körper bohren.
- ◆ **Reinigen Sie regelmäßig die Lüftungsöffnungen des Geräts.** Das Motorgebläse zieht Staub in das Gehäuse, und eine starke Ansammlung von Metallstaub kann elektrische Gefahren verursachen.
- ◆ **Betreiben Sie das Gerät nicht in der Umgebung von brennbaren Materialien.** Funken können diese Materialien entzünden.
- ◆ **Verwenden Sie kein Zubehör, für das flüssiges Kühlmittel erforderlich ist.** Die Verwendung von Wasser oder anderen flüssigen Kühlmitteln kann zu einem elektrischen Schlag führen.

Hinweis: Dieser Sicherheitshinweis gilt nicht für Geräte, die speziell für die Verwendung mit flüssigen Kühlmitteln entwickelt wurden.

Rückschlag und damit verbundene Sicherheitshinweise

Rückschlag ist die plötzliche Reaktion infolge eines hakenden oder blockierten drehenden Einsatzwerkzeugs, wie Schleifscheibe, Schleifteller, Drahtbürste usw. Durch das daraus folgende unmittelbare Stoppen des Zubehörs wird das Gerät in die Richtung bewegt, die der Drehrichtung des Zubehörs entgegengesetzt ist.

Wenn z. B. eine Schleifscheibe im Werkstück hakt oder blockiert, kann sich die Kante der Schleifscheibe, die in das Werkstück eintaucht, verfangen und dadurch die Schleifscheibe ausbrechen oder einen Rückschlag verursachen. Abhängig von der Drehrichtung kann die Scheibe entweder zum Bediener hin- oder von ihm wegspringen. Hierbei können Schleifscheiben auch brechen.

Ein Rückschlag ist das Resultat eines Missbrauchs und/oder einer falschen Bedienung des Geräts und/oder falscher Betriebsbedingungen. Er kann durch die entsprechenden unten angegebenen Vorsichtsmaßnahmen vermieden werden.

- ◆ **Halten Sie das Gerät stets fest im Griff, und nehmen Sie eine Körper- und Armhaltung ein, in der Sie Rückschläge auffangen können. Verwenden Sie stets den Zusatzgriff, sofern vorhanden, sodass Sie optimal auf eventuelle Rückschläge oder Drehmomente während des Startens reagieren können.**

Rückschlagkräfte oder Drehmomente können vom Bediener mittels entsprechender Vorsichtsmaßnahmen unter Kontrolle gehalten werden.

- ◆ **Halten Sie Ihre Hände von sich drehendem Zubehör fern.** Das Einsatzwerkzeug kann sich beim Rückschlag über Ihre Hand bewegen.
- ◆ **Positionieren Sie Ihren Körper so, dass das Gerät im Falle eines Rückschlags nicht in Ihre Richtung gedrückt wird.** Durch einen Rückschlag wird das Gerät in die Richtung gedrückt, die der Drehrichtung des Zubehörs zum Zeitpunkt des Verkantens entgegengesetzt ist.
- ◆ **Beim Bearbeiten von Ecken, scharfen Kanten usw. ist besondere Aufmerksamkeit erforderlich. Verhindern Sie ein Springen und Verkanten des Geräts.** Das rotierende Einsatzwerkzeug neigt bei Ecken, scharfen Kanten oder wenn es abprallt, dazu, sich zu verklemmen. Dies verursacht einen Kontrollverlust oder Rückschlag.
- ◆ **Bringen Sie keine Sägeketten, Holzmesser oder gezahnte Sägen an.** Solche Einsatzwerkzeuge verursachen häufig einen Rückschlag oder den Verlust der Kontrolle über das Elektrowerkzeug.

Spezielle Sicherheitshinweise für Schleif- und Trennarbeiten

- ◆ **Verwenden Sie ausschließlich Scheiben, die zur Verwendung mit Ihrem Gerät empfohlen werden, sowie die für die verwendete Scheibe passende Schutzvorrichtung.** Schleifkörper, die nicht für das Elektrowerkzeug vorgesehen sind, können nicht ausreichend abgeschirmt werden und sind unsicher.
- ◆ **Die Schleifoberfläche von gekröpften Scheiben muss unterhalb der Schutzlippe befestigt werden.** Ein falsch montiertes Rad, das durch die Fläche der Schutzlippe hervorsteht, wird nicht angemessen geschützt.
- ◆ **Die Schutzvorrichtung muss sorgfältig am Gerät angebracht und für optimalen Schutz ausgerichtet werden, sodass möglichst viel Scheibenfläche von der Schutzvorrichtung abgeschirmt wird.** Die Schutzvorrichtung soll die Bedienperson vor Bruchstücken und zufälligem Kontakt mit dem Schleifkörper sowie vor Funken schützen, durch die die Kleidung entzündet werden könnte.
- ◆ **Die Scheiben dürfen nur gemäß ihren Verwendungsbestimmungen eingesetzt werden. Zum Beispiel: Schleifen Sie nie mit der Seitenfläche einer Trennscheibe.** Trennscheiben sind zum Materialabtrag mit der Kante der Scheibe bestimmt. Seitliche Kraftereinwirkung auf diese Schleifkörper kann sie zerbrechen.
- ◆ **Verwenden Sie für die ausgewählte Scheibe ausschließlich unbeschädigte Scheibenflansche von entsprechender Größe und Form.**

Geeignete Flansche stützen die Schleifscheibe und verringern so die Gefahr eines Schleifscheibenbruchs. Flansche für Trennscheiben können sich von den Flanschen für andere Schleifscheiben unterscheiden.

- ◆ **Verwenden Sie keine abgenutzten Scheiben von größeren Geräten.** Schleifscheiben für größere Elektrowerkzeuge sind nicht für die höheren Drehzahlen von kleineren Elektrowerkzeugen ausgelegt und können brechen.

Zusätzliche Sicherheitshinweise für Trennarbeiten

- ◆ **Rammen Sie die Scheibe nicht in das Werkstück, und üben Sie keinen übermäßigen Druck aus. Führen Sie keine übermäßig tiefen Schnitte aus.** Bei Überlastung der Scheibe erhöht sich das Risiko eines Verdrehens oder Verkantens im Schnitt und somit auch das Risiko eines Rückschlags oder Scheibenbruchs.
- ◆ **Positionieren Sie Ihren Körper niemals in einer Linie mit und hinter der sich drehenden Scheibe.** Wenn Sie die Trennscheibe im Werkstück von sich wegbewegen, kann im Falle eines Rückschlags das Elektrowerkzeug mit der sich drehenden Scheibe direkt auf Sie zugeschleudert werden.
- ◆ **Wenn die Scheibe verkantet oder Sie die Arbeit unterbrechen möchten, schalten Sie das Gerät aus, und halten Sie es bewegungslos, bis die Scheibe vollständig zum Stillstand kommt. Versuchen Sie nie, die noch laufende Trennscheibe aus dem Schnitt zu ziehen, sonst kann ein Rückschlag erfolgen.** Ermitteln und beheben Sie die Ursache für das Verkleben.
- ◆ **Starten Sie den Arbeitsvorgang nicht im Werkstück. Lassen Sie die Trennscheibe erst ihre volle Drehzahl erreichen, bevor Sie den Schnitt vorsichtig fortsetzen.** Anderenfalls kann die Scheibe verhaken, aus dem Werkstück springen oder einen Rückschlag verursachen.
- ◆ **Stützen Sie Platten oder sehr große Werkstücke ab, um ein mögliches Verkleben oder Rückschlagen der Scheibe zu vermeiden.** Große Werkstücke können sich unter ihrem eigenen Gewicht durchbiegen. Das Werkstück muss auf beiden Seiten der Scheibe abgestützt werden, und zwar sowohl in der Nähe des Trennschnitts als auch an der Kante.
- ◆ **Gehen Sie beim Eintauchschnitt in Wände oder sonstige unübersichtliche Bereiche besonders vorsichtig vor.** Die eintauchende Trennscheibe kann beim Schneiden in Gas- oder Wasserleitungen, elektrische Leitungen oder andere Objekte einen Rückschlag verursachen.

Spezielle Sicherheitshinweise für Schleifarbeiten

- ◆ **Verwenden Sie kein Schleifpapier, das die erforderliche Größe zu sehr übersteigt.**

Befolgen Sie bei der Auswahl von Schleifpapier die Herstellerempfehlungen. Schleifblätter, die über den Schleifteller hinausragen, können Verletzungen verursachen sowie zum Blockieren, Zerreißen der Schleifblätter oder zum Rückschlag führen.

Spezielle Sicherheitshinweise für Abbüstarbeiten

- ◆ **Beachten Sie, dass sich auch während des normalen Betriebs Drahtborsten lösen und umhergeschleudert werden. Überlasten Sie die Drähte nicht durch zu hohen Anpressdruck.** Wegfliegende Drahtstücke können sehr leicht durch dünne Kleidung und/oder die Haut dringen.
- ◆ **Wenn für Büstarbeiten die Verwendung einer Schutzvorrichtung empfohlen wird, dürfen weder Scheibe noch Bürste in Kontakt mit der Schutzvorrichtung kommen.** Der Durchmesser von Scheibe oder Bürste kann sich durch Arbeitsbelastung und Zentrifugalkräfte erhöhen.

Sicherheit anderer Personen

- ◆ Dieses Gerät darf nicht von Personen (einschließlich Kindern) mit eingeschränkten physischen, sensorischen oder mentalen Fähigkeiten oder ohne ausreichende Erfahrung oder Kenntnisse verwendet werden, außer wenn diese Personen von einer Person, die für ihre Sicherheit verantwortlich ist, bei der Verwendung des Geräts beaufsichtigt oder mit ihm vertraut gemacht werden.
- ◆ Kinder müssen beaufsichtigt werden, um sicherzustellen, dass sie nicht mit dem Gerät spielen.

Restrisiken

Beim Gebrauch dieses Geräts verbleiben zusätzliche Restrisiken, die möglicherweise nicht in den Sicherheitswarnungen genannt werden.

Diese Risiken bestehen beispielsweise bei Missbrauch oder längerem Gebrauch.

Auch bei der Einhaltung der entsprechenden Sicherheitsvorschriften und der Verwendung aller Sicherheitsgeräte bestehen weiterhin bestimmte Restrisiken. Diese sind:

- ◆ Verletzungen, die durch das Berühren von sich drehenden/bewegenden Teilen verursacht werden.
- ◆ Verletzungen, die durch das Austauschen von Teilen, Messern oder Zubehör verursacht werden.
- ◆ Verletzungen, die durch längeren Gebrauch eines Geräts verursacht werden. Legen Sie bei längerem Gebrauch regelmäßige Pausen ein.
- ◆ Beeinträchtigung des Gehörs.
- ◆ Gesundheitsrisiken durch das Einatmen von Staub beim Verwenden des Geräts (beispielsweise bei Holzarbeiten, insbesondere Eiche, Buche und MDF.)

Vibration

Die in den Abschnitten "Technische Daten" und "EG-Konformitätserklärung" angegebenen Werte für die Vibrationsemission wurden mit einer Standard-Prüfmethode nach EN 60745 ermittelt und können zum Vergleich verschiedener Geräte herangezogen werden. Außerdem kann mit Hilfe dieses Werts die Belastung bei Verwendung des Geräts schon im Voraus eingeschätzt werden.

Warnung! Die bei Verwendung des Geräts auftretende Vibrationsemission hängt von der Art des Gerätegebrauchs ab und kann dementsprechend von dem angegebenen Wert abweichen. Gegebenenfalls kann die Vibration über dem angegebenen Wert liegen.

Für die Ermittlung der Vibrationsbelastung müssen die tatsächlichen Einsatzbedingungen und Verwendungen des Geräts während des gesamten Arbeitsgangs berücksichtigt werden, einschließlich der Zeiten, wenn das Gerät nicht verwendet oder im Leerlauf betrieben wird. Diese Werte werden benötigt, um die gemäß 2002/44/EG erforderlichen Sicherheitsmaßnahmen zum Schutz von Personen festlegen zu können.

Etiketten am Werkzeug

Folgende Piktogramme sowie der Datumscode befinden sich auf dem Werkzeug:



Warnung! Lesen Sie vor Gebrauch die Anleitung. Andernfalls besteht Verletzungsgefahr.



Tragen Sie eine Schutzbrille, wenn Sie mit dem Gerät arbeiten.



Tragen Sie einen Gehörschutz, wenn Sie mit dem Gerät arbeiten.

Elektrische Sicherheit



Das Ladegerät ist schutzisoliert, daher ist keine Erdleitung erforderlich. Stellen Sie sicher, dass die Netzspannung der auf dem Typenschild des Geräts angegebenen Spannung entspricht.

- ◆ Bei einer Beschädigung des Netzkabels muss dieses durch den Hersteller oder eine BLACK+DECKER-Vertragswerkstatt ausgetauscht werden, um mögliche Gefahren zu vermeiden.

Spannungsabfälle

Der Einschaltstrom kann einen kurzfristigen Spannungsabfall verursachen. Dies kann ggf. die Stromversorgung anderer Geräte beeinflussen.

Bei einer Systemimpedanz der Stromversorgung von unter 0,107 Ω sind Störungen unwahrscheinlich.

Merkmale

Dieses Gerät verfügt über einige oder alle der folgenden Merkmale:

1. Ein-/Aus-Schalter
2. Spindelverriegelung
3. Schutzhaube
4. Zusatzhandgriff

Montage

Warnung! Vergewissern Sie sich vor der Montage, dass das Gerät ausgeschaltet ist und der Netzstecker gezogen wurde.

Anbringen und Entfernen der Schutzvorrichtung (Abb. A1, A2)

Das Gerät ist mit einer Schutzvorrichtung ausgestattet, die nur für Schleifarbeiten (Typ 27) vorgesehen ist. Wenn mit dem Gerät Trennarbeiten durchgeführt werden sollen, muss eine entsprechende Schutzvorrichtung (Typ 41) angebracht werden. In der BLACK+DECKER-Vertragswerkstatt erhalten Sie die passende Schutzvorrichtung N642463 (für 115-mm-Schleifscheiben)

- ◆ Legen Sie das Gerät mit der Spindel (5) nach oben auf einen Tisch
- ◆ Richten Sie die Haltevorrichtungen (7) an den Kerben (8) aus.
- ◆ Drücken Sie die Schutzvorrichtung nach unten und drehen Sie sie im Uhrzeigersinn in die gewünschte Position.
- ◆ Ziehen Sie zum Befestigen der Schutzvorrichtung die Schraube (6).

Abnehmen

- ◆ Lösen Sie die Schraube (6).
- ◆ Drehen Sie die Schutzvorrichtung gegen den Uhrzeigersinn, bis die Haltevorrichtungen (7) an den Kerben (8) ausgerichtet sind.
- ◆ Nehmen Sie die Schutzvorrichtung vom Gerät ab.

Warnung! Verwenden Sie das Gerät nie ohne Schutzvorrichtung.

Anbringen des seitlichen Haltegriffs

- ◆ Schrauben Sie den seitlichen Haltegriff (4) in eine der Montageöffnungen des Geräts.

Warnung! Verwenden Sie stets den seitlichen Haltegriff.

Anbringen und Entfernen einer Schleifscheibe (Abb. B bis D)

Verwenden Sie stets die für Ihre Arbeit passende Scheibe. Verwenden Sie stets Scheiben mit korrektem Durchmesser und entsprechender Bohrung (s. technische Daten).

Anbringen

- ◆ Bringen Sie die Schutzvorrichtung wie oben beschrieben an.

- ◆ Setzen Sie den inneren Flansch (10) auf die Spindel (5) auf (Abb. B). Vergewissern Sie sich, dass der Flansch ordnungsgemäß auf den flachen Seiten der Spindel sitzt.
- ◆ Setzen Sie die Scheibe (11) auf die Spindel (5) auf (Abb. B). Wenn die Scheibe über eine Erhöhung in der Mitte (12) verfügt, muss diese Erhöhung zum inneren Flansch weisen.
- ◆ Vergewissern Sie sich, dass die Scheibe ordnungsgemäß auf dem inneren Flansch sitzt.
- ◆ Setzen Sie den äußeren Flansch (13) auf die Spindel auf. Bei Schleifscheiben muss die Erhöhung in der Mitte am äußeren Flansch zur Scheibe weisen (A in Abb. C). Bei Trennscheiben muss die Erhöhung in der Mitte am äußeren Flansch von der Scheibe weg weisen (B in Abb. C).
- ◆ Halten Sie die Spindelarretierung (2) gedrückt und ziehen Sie den äußeren Flansch mithilfe des Stirnlochschlüssels (14) fest (Abb. D).

Abnehmen

- ◆ Halten Sie die Spindelarretierung (2) gedrückt, und lösen Sie den äußeren Flansch (13) mithilfe des Stirnlochschlüssels (14) (Abb. D).
- ◆ Nehmen Sie den äußeren Flansch (13) und die Scheibe (11) ab.

Schleifen von Oberflächen mit Schleifscheiben

- ◆ Lassen Sie das Werkzeug auf volle Drehzahl beschleunigen, bevor es die Arbeitsfläche berührt.
- ◆ Üben Sie minimalen Druck auf die Arbeitsfläche aus, damit das Werkzeug mit hoher Geschwindigkeit arbeiten kann. Die Schleifgeschwindigkeit ist am größten, wenn das Werkzeug mit hoher Geschwindigkeit arbeitet.
- ◆ Halten Sie wie in Abbildung F gezeigt einen Winkel von 20° bis 30° zwischen Gerät und Werkstück ein.
- ◆ Bewegen Sie das Gerät in einer stetigen Vor- und Rückwärtsbewegung, um Unebenheiten am Werkstück zu vermeiden.
- ◆ Heben Sie das Werkzeug von der Oberfläche ab, bevor Sie es ausschalten. Lassen Sie das Gerät zum Stillstand kommen, bevor Sie es ablegen.

Schleifen von Kanten mit Schleifscheiben

Die Verwendung von Scheiben zum Trenn- und Kantenschleifen kann zu Rissen oder Rückschlägen führen, wenn sich diese bei Trenn- bzw. Tiefschleifarbeiten verbiegen oder verdrehen. Trenn- und Kantenschleifen mit einer Scheibe vom Typ 27 muss auf flaches Schneiden und Kerben von maximal 13 mm Tiefe begrenzt werden, wenn die Scheibe neu ist. Verringern Sie die Tiefe des Schneidens/Kerbens entsprechend der Reduzierung des Scheibenradius, die durch Abnutzung entsteht.

Weitere Informationen finden Sie in der Tabelle für Schleif- und Trennzubehör am Ende des Handbuches.

Kantenschleifen/-schneiden mit einer Scheibe vom Typ 41 erfordert die Verwendung einer Schutzvorrichtung vom Typ 41.

- ◆ Lassen Sie das Werkzeug auf volle Drehzahl beschleunigen, bevor es die Arbeitsfläche berührt.
- ◆ Üben Sie minimalen Druck auf die Arbeitsfläche aus, damit das Werkzeug mit hoher Geschwindigkeit arbeiten kann. Die Schleifgeschwindigkeit ist am größten, wenn das Werkzeug mit hoher Geschwindigkeit arbeitet.
- ◆ Stellen Sie sich so, dass die offene Unterseite der Scheibe von Ihnen weg zeigt.
- ◆ Wenn Sie einmal mit einem Schnitt begonnen haben und eine Kerbe im Werkstück gebildet worden ist, ändern Sie nicht den Schnittwinkel. Die Änderung des Winkels bewirkt, dass sich die Scheibe verbiegt und zerbrechen kann. Kantenschleifscheiben sind nicht dazu geschaffen, Seitendrücken zu widerstehen, die durch Verbiegen entstehen können.
- ◆ Heben Sie das Gerät von der Oberfläche ab, bevor Sie es ausschalten. Lassen Sie das Gerät zum Stillstand kommen, bevor Sie es ablegen.

Warnung! Verwenden Sie keine Kantenschleif-/ Schneidscheiben für Flächenschleifanwendungen, wenn das Etikett dieser Scheiben dies nicht erlaubt, da diese Scheiben nicht für Seitendrücke geschaffen sind, die bei Flächenschleifen auftreten. Die Scheiben können zerbrechen und schwere Verletzungen erzeugen.

Anbringen und Entfernen der Schleifscheiben (Abb. D und E)

Für Schleifarbeiten ist Trägerpapier erforderlich. Sie erhalten dieses Trägerpapier als Zubehör im BLACK+DECKER Fachhandel.

Anbringen

- ◆ Setzen Sie den inneren Flansch (10) auf die Spindel (5) auf (Abb. E). Vergewissern Sie sich, dass der Flansch ordnungsgemäß auf den flachen Seiten der Spindel sitzt.
- ◆ Setzen Sie das Trägerpapier (15) auf der Spindel auf.
- ◆ Positionieren Sie die Schleifscheibe (16) über dem Trägerpapier.
- ◆ Setzen Sie den äußeren Flansch (13) auf der Spindel auf. Dabei muss der erhöhte Mittelteil von der Scheibe weg weisen.
- ◆ Halten Sie die Spindelarretierung (2) gedrückt und ziehen Sie den äußeren Flansch mithilfe des Stirnlochschlüssels (14) fest (Abb. D). Vergewissern Sie sich, dass der äußere Flansch ordnungsgemäß sitzt und die Scheibe sorgfältig befestigt ist.

Abnehmen

- ◆ Halten Sie die Spindelarretierung (2) gedrückt, und lösen Sie den äußeren Flansch (13) mithilfe des Stirnlochschlüssels (14) (Abb. D).
- ◆ Nehmen Sie den äußeren Flansch (13), die Schleifscheibe (16) und das Trägerpapier (15) ab.

Oberflächenschliff mit Schleifscheiben

- ◆ Lassen Sie das Werkzeug auf volle Drehzahl beschleunigen, bevor es die Arbeitsfläche berührt.
- ◆ Üben Sie minimalen Druck auf die Arbeitsfläche aus, damit das Werkzeug mit hoher Geschwindigkeit arbeiten kann. Die Schleifgeschwindigkeit ist am größten, wenn das Werkzeug mit hoher Geschwindigkeit arbeitet.
- ◆ Halten Sie wie in Abbildung G gezeigt einen Winkel von 5° bis 10° zwischen Gerät und Werkstück ein.
- ◆ Bewegen Sie das Gerät in einer stetigen Vor- und Rückwärtsbewegung, um Unebenheiten am Werkstück zu vermeiden.
- ◆ Heben Sie das Werkzeug von der Oberfläche ab, bevor Sie es ausschalten. Lassen Sie das Gerät zum Stillstand kommen, bevor Sie es ablegen.

Verwenden von Trägerpapier

Wählen Sie für Ihre Anwendung immer die richtigen Sandschleifscheiben. Es gibt Schleifscheiben mit verschiedenen Körnungen. Grobe Körnungen haben schnellere Materialentfernungsgeschwindigkeiten und eine rauere Oberfläche. Feinere Körnungen haben langsamere Materialentfernungsgeschwindigkeiten und eine glattere Oberfläche.

Beginnen Sie mit grobkörnigen Scheiben zur schnellen, groben Materialentfernung. Gehen Sie zu mittlerem Schmirgelpapier über, und schließen Sie mit einer feinkörnigen Scheibe zur optimalen Oberflächenbeschaffenheit ab.

- ◆ Grob = Körnung 16 - 30.
- ◆ Mittel = Körnung 36 - 80.
- ◆ Feinbearbeitung = Körnung 100-120.
- ◆ Feinstbearbeitung = Körnung 150 - 180.
- ◆ Lassen Sie das Werkzeug auf volle Drehzahl beschleunigen, bevor es die Arbeitsfläche berührt.
- ◆ Üben Sie minimalen Druck auf die Arbeitsfläche aus, damit das Werkzeug mit hoher Geschwindigkeit arbeiten kann. Die Schleifgeschwindigkeit ist am größten, wenn das Werkzeug mit hoher Geschwindigkeit arbeitet.
- ◆ Halten Sie wie in Abbildung H gezeigt einen Winkel von 5° bis 10° zwischen Gerät und Werkstück ein. Die Schleifscheibe sollte etwa 25mm der Arbeitsfläche berühren.
- ◆ Bewegen Sie das Werkzeug ständig geradlinig, um ein Brennen und Wirbeln der Arbeitsfläche zu vermeiden.

Wenn Sie das Werkzeug auf der Arbeitsfläche unbeweglich ruhen lassen oder es kreisförmig bewegen, werden Brand- und Wirbelmarkierungen auf der Arbeitsfläche erzeugt.

- ◆ Heben Sie das Werkzeug von der Oberfläche ab, bevor Sie es ausschalten. Lassen Sie das Gerät zum Stillstand kommen, bevor Sie es ablegen.

Vorsichtsmaßnahmen beim Schleifen von Farbe

- ◆ Das Abschleifen von Farben auf Bleibasis wird **NICHT EMPFOHLEN**, da der entstehende kontaminierte Staub kaum kontrollierbar ist. Die größte Gefahr einer Bleivergiftung besteht für Kinder und Schwangere.
- ◆ Da es ohne chemische Analyse nur schwer feststellbar ist, ob eine Farbe Blei enthält, empfehlen wir beim Abschleifen aller Farben folgende Vorsichtsmaßnahmen:
 - ◆ Kinder und Schwangere dürfen den Arbeitsplatz erst wieder betreten, wenn das Abschleifen der Farbe beendet wurde und der gesamte Arbeitsbereich gesäubert wurde.
 - ◆ Alle Personen, die den Arbeitsplatz betreten, müssen eine spezielle Maske zum Schutz vor Bleifarbstaub und -dämpfen tragen. Der Filter muss täglich ausgetauscht werden, oder sobald der Träger Atemprobleme bemerkt.

Hinweis: Es sollten nur solche Staubmasken benutzt werden, die für Arbeiten mit Bleifarbestaub und -dämpfe geeignet sind. Gewöhnliche Farbmasken bieten diesen Schutz nicht. Besorgen Sie sich von Ihrem örtlichen Händler eine zugelassene Staubmaske.

- ◆ Im Arbeitsbereich sind ESSEN, TRINKEN und RAUCHEN verboten, um die Aufnahme kontaminierter Farbteilchen zu vermeiden. Personen müssen sich waschen und säubern, BEVOR sie essen, trinken oder rauchen. Lebensmittel, Getränke und Zigaretten etc. dürfen nicht an Stellen im Arbeitsbereich aufbewahrt werden, wo sich Staub auf ihnen ablagern könnte.
- ◆ Farbe muss so entfernt werden, dass dabei möglichst wenig Staub erzeugt wird.
- ◆ Bereiche, in denen Farbe entfernt wird, müssen mit Plastikplanen von 4 mils (0,1 mm) Dicke abgetrennt werden.
- ◆ Das Schleifen muss so erfolgen, dass möglichst wenig Farbstaub außerhalb des Arbeitsbereichs gelangt.
- ◆ Alle Oberflächen im Arbeitsbereich müssen täglich abgesaugt und gründlich gesäubert werden, solange Schleifarbeiten durchgeführt werden. Die Staubsaugerfilter müssen häufig gewechselt werden.
- ◆ Plastikplanen zum Auffangen von Staub, Spänen und anderen Rückständen müssen aufgenommen und entsorgt werden. Die Planen müssen in dichten Abfallbehältern aufbewahrt und zusammen mit der regelmäßigen Abfallentsorgung abgeholt werden.

Kinder und Schwangere sind während der Reinigungsarbeiten aus dem unmittelbaren Arbeitsbereich fernzuhalten.

- ◆ Alle Spielsachen, waschbare Möbel und andere Gegenstände, die von Kindern benutzt werden, müssen vor der Wiederverwendung gründlich gereinigt werden.

Anbringen und Anwendung von Drahtbürsten oder Drahtrundbürsten

Drahtbürsten oder Drahtrundbürsten werden ohne Flansche direkt auf die Schleiferspindel geschraubt. b. Eine Schutzvorrichtung vom Typ 27 ist erforderlich, wenn Drahtbürsten oder Drahtrundbürsten benutzt werden. Tragen Sie Arbeitshandschuhe, wenn Sie mit Drahtbürsten oder Drahtrundbürsten umgehen. Sie können scharf werden. Rundbürsten oder Bürsten dürfen die Schutzvorrichtung während der Montage oder des Betriebs nicht berühren. Am Zubehör kann ein nicht sichtbarer Schaden auftreten, durch den Drähte von der Scheibe oder vom Topf abbrechen können.

- ◆ Schrauben Sie die Scheibe mit der Hand auf die Spindel.
- ◆ Drücken Sie den Spindelarretierungsknopf und schrauben Sie die Scheibe mit einem Schraubenschlüssel an der Nabe der Drahtrundbürste oder der Drahtbürste fest.
- ◆ Führen Sie zum Entfernen der Scheibe die obigen Anweisungen in umgekehrter Reihenfolge aus.

Warnung! Wenn die Scheibennabe nicht richtig sitzt, bevor das Werkzeug angeschaltet wird, kann es zu einer Beschädigung von Werkzeug oder Scheibe kommen. Drahtrundbürsten und Topfdrahtbürsten können zum Entfernen von Rost, Kesselstein und Farbe und zum Glätten unregelmäßiger Flächen benutzt werden.

Hinweis: Beim Bürsten von Farben sollten die gleichen Vorsichtsmaßnahmen wie beim Schleifen von Farben getroffen werden.

- ◆ Lassen Sie das Werkzeug auf volle Drehzahl beschleunigen, bevor es die Arbeitsfläche berührt.
- ◆ Üben Sie minimalen Druck auf die Arbeitsfläche aus, damit das Werkzeug mit hoher Geschwindigkeit arbeiten kann. Die Materialentfernungsgeschwindigkeit ist am größten, wenn das Werkzeug mit hoher Geschwindigkeit arbeitet.
- ◆ Halten Sie beim Gebrauch von Drahtbürsten wie in Abbildung I gezeigt einen Winkel von 5° bis 10° zwischen Gerät und Werkstück.
- ◆ Halten Sie bei Drahtrundbürsten Kontakt zwischen dem Rand der Scheibe und der Arbeitsfläche bei.
- ◆ Bewegen Sie das Gerät in einer stetigen Vor- und Rückwärtsbewegung, um Unebenheiten am Werkstück zu vermeiden.

Wenn Sie das Werkzeug auf der Arbeitsfläche unbeweglich ruhen lassen oder es kreisförmig bewegen, werden Brand- und Wirbelmarkierungen auf der Arbeitsfläche erzeugt.

- ◆ Heben Sie das Gerät von der Oberfläche ab, bevor Sie es ausschalten. Lassen Sie das Gerät zum Stillstand bekommen, bevor Sie es ablegen.

Warnung! Seien Sie besonders vorsichtig, wenn Sie über einer Kante arbeiten, da mit einer plötzlichen scharfen Bewegung der Schleifmaschine zu rechnen ist.

Anbringen und Anwendung von Trennscheiben (Typ 41)

Schneidscheiben bestehen aus Diamantscheiben und Schleifscheiben. Es gibt Schneidscheiben für Metall und Beton. Es können auch Diamantklingen für das Schneiden von Beton benutzt werden.

HINWEIS: Es ist eine geschlossene, zweiseitige Schneidscheibenschutzvorrichtung vom Typ 41 erforderlich (separat erhältlich), wenn Schneidscheiben benutzt werden. Wenn nicht der richtige Flansch oder die richtige Schutzvorrichtung benutzt wird, kann es durch den Bruch oder die Berührung der Scheibe zu Verletzungen kommen. Für Schneidscheiben müssen ein Aufnahmeflansch und eine Spannmutter mit Gewinde und passendem Durchmesser (dem Werkzeug beigelegt) benutzt werden.

Anbringen der geschlossenen (Typ 41) Schutzvorrichtung (Abb. J, K)

- ◆ Richten Sie die drei Ösen der Schutzvorrichtung an den drei Schlitzen an der Nabe aus. Dadurch kommen die Ösen wie in Abbildung J gezeigt mit den Schlitzen am Getriebegehäuse in Deckung.
- ◆ Drücken Sie die Schutzvorrichtung nach unten, bis die Ösen der Schutzvorrichtung in der Nut an der Nabe des Getriebegehäuses eingreifen.
- ◆ Drehen Sie die Schutzvorrichtung im Uhrzeigersinn, um sie zu verriegeln. Der Körper der Schutzvorrichtung sollte zwischen der Spindel und dem Bediener positioniert werden, damit der Bediener maximal geschützt ist.
- ◆ Ziehen Sie die Arretierung der Schutzvorrichtung fest, um die Schutzvorrichtung am Getriebegehäuse zu sichern. Sie sollten die Schutzvorrichtung nicht mehr von Hand drehen können. Betreiben Sie den Schleifer nicht mit einer lockeren Schutzvorrichtung.
- ◆ Um die Schutzvorrichtung zu entfernen, lösen Sie die Schraube der Schutzvorrichtung. Dann drehen Sie die Schutzvorrichtung so, dass die drei Ösen auf der Schutzvorrichtung an den drei Schlitzen auf der Nabe ausgerichtet sind, und ziehen die Schutzvorrichtung nach oben.

Anbringen von Trennscheiben

- ◆ Legen Sie den Aufnahmeflansch ohne Gewinde auf die Spindel, wobei der angehobene Abschnitt (Führung) nach oben zeigt. Der angehobene Abschnitt (Führung) am Aufnahmeflansch liegt auf der Scheibe, wenn die Scheibe angebracht ist.
- ◆ Legen Sie die Scheibe auf den Aufnahmeflansch und zentrieren die Scheibe auf dem angehobenen Abschnitt (Führung).
- ◆ Bringen Sie die Gewindespannmutter an, wobei der angehobene Abschnitt (Führung) von der Scheibe weg zeigt.
- ◆ Drücken Sie den Spindelarretierungsknopf und ziehen die Spannmutter mit dem mitgelieferten Schraubenschlüssel fest.
- ◆ Um die Scheibe zu entfernen, drücken Sie den Spindelarretierungsknopf und lösen die Gewindespannmutter mit dem mitgelieferten Schraubenschlüssel.

Warnung! Verwenden Sie keine Kantenschleif-/Schneidscheiben für Flächenschleifanwendungen, weil diese Scheiben nicht für Seitendrücke geschaffen sind, die bei Flächenschleifen auftreten. Die Scheibe kann zerbrechen und schwere Verletzungen erzeugen.

- ◆ Lassen Sie das Werkzeug auf volle Drehzahl beschleunigen, bevor es die Arbeitsfläche berührt.
- ◆ Üben Sie minimalen Druck auf die Arbeitsfläche aus, damit das Werkzeug mit hoher Geschwindigkeit arbeiten kann. Die Schleifgeschwindigkeit ist am größten, wenn das Werkzeug mit hoher Geschwindigkeit arbeitet.
- ◆ Wenn Sie einmal mit einem Schnitt begonnen haben und eine Kerbe im Werkstück gebildet worden ist, ändern Sie nicht den Schnittwinkel. Die Änderung des Winkels bewirkt, dass sich die Scheibe verbiegt und zerbrechen kann.
- ◆ Heben Sie das Werkzeug von der Oberfläche ab, bevor Sie es ausschalten. Lassen Sie das Gerät zum Stillstand bekommen, bevor Sie es ablegen.

Verwendung

Warnung! Beschleunigen Sie den Arbeitsvorgang nicht mit Gewalt. Vermeiden Sie eine Überlastung.

- ◆ Achten Sie auf sorgfältige Kabelführung, um unbeabsichtigte Kabelschäden zu vermeiden.
- ◆ Rechnen Sie mit Funkenflug, wenn die Schleif- oder Trennscheibe das Werkstück berührt.
- ◆ Richten Sie das Gerät stets so aus, dass die Schutzvorrichtung optimalen Schutz vor der Schleif- oder Trennscheibe bietet.

Ein- und Ausschalten

- ◆ Drücken Sie zum Einschalten des Geräts den Ein-/Ausschalter (1).

- ◆ Lassen Sie zum Ausschalten des Geräts den Ein-/Ausschalter (1) los.

Warnung! Schalten Sie das Gerät nicht unter Last aus.

Hinweise für optimale Arbeitsergebnisse

- ◆ **Halten Sie das Gerät mit einer Hand am seitlichen Haltegriff und mit der anderen Hand am Hauptgriff sorgfältig fest.**
- ◆ Achten Sie beim Schleifen stets auf einen Winkel von rund 15° zwischen der Scheibe und der Oberfläche des Werkstücks.

Wartung

Ihr BLACK+DECKER Gerät (mit und ohne Netzkabel) wurde im Hinblick auf eine lange Lebensdauer und einen möglichst geringen Wartungsaufwand entwickelt. Ein kontinuierlicher, zufriedenstellender Betrieb hängt von der richtigen Pflege des Gerätes und seiner regelmäßigen Reinigung ab.

Warnung! Vor dem Ausführen jeglicher Wartungsarbeiten an Geräten mit und ohne Netzkabel:

- ◆ Schalten Sie das Gerät aus, und ziehen Sie den Netzstecker.
- ◆ Wenn das Gerät über einen separaten Batteriepack oder Akku verfügt, schalten Sie das Gerät ab, und entnehmen Sie die Batterien aus dem Gerät.
- ◆ Wenn der Akku integriert ist, entladen Sie diesen vor dem Abschalten vollständig.
- ◆ Ziehen Sie das Ladegerät aus der Netzsteckdose, bevor Sie es reinigen. Das Ladegerät benötigt keine Wartung, es sollte jedoch regelmäßig gereinigt werden.
- ◆ Reinigen Sie regelmäßig die Lüftungsschlitze des Geräts und des Ladegeräts mit einer weichen Bürste oder einem trockenen Tuch.
- ◆ Reinigen Sie das Motorgehäuse regelmäßig mit einem feuchten Tuch. Verwenden Sie keine scheuernden Reinigungsmittel oder Reinigungsmittel auf Lösungsmittelbasis.
- ◆ Öffnen Sie regelmäßig das Spannfutter, und entfernen Sie durch Klopfen ggf. Staub aus dem Inneren des Geräts.

Austauschen des Netzsteckers (nur Großbritannien und Irland)

Wenn ein neuer Netzstecker angebracht werden muss:

- ◆ Entsorgen Sie den alten Stecker auf sachgerechte Weise.
- ◆ Verbinden Sie die braune Leitung mit dem spannungsführenden Anschluss des Steckers.
- ◆ Verbinden Sie die blaue Leitung mit dem neutralen Anschluss.

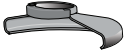
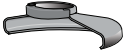

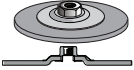
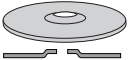

Warnung! Stellen Sie keine Verbindung mit dem Erdungsanschluss her.


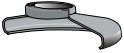
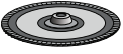



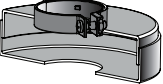
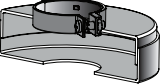






Befolgen Sie die Montageanweisungen, die mit hochwertigen Steckern mitgeliefert werden. Empfohlene Sicherung: 13 A.

Fehlerbehebung

Problem	Mögliche Ursache	Mögliche Lösung
Gerät startet nicht.	Kabel nicht eingesteckt. Kabel oder Schalter beschädigt.	Werkzeugkabel in eine Steckdose stecken. Lassen Sie das Kabel bzw. den Schalter in einem BLACK+DECKER Servicecenter oder von einer autorisierten Werkstatt austauschen.

Tabelle für Schleif- und Trennzubehör

Schleifscheiben	
 Typ 27 Schutzvorrichtung	 Typ 27 Schutzvorrichtung
 Aufnahmeflansch ohne Gewinde	 Typ 27 abgesetzte Scheibe
 Typ 27 gekröpfte Scheibe	
 Gewindespannmutter	

Lamellenschleifscheiben	
 Typ 27 Schutzvorrichtung	 Typ 27 Schutzvorrichtung
 Abgesetzte Lamellenschleifscheibe	 Aufnahmeflansch ohne Gewinde
	 Nicht-abgesetzte Lamellenschleifscheibe
	 Gewindespannmutter
Typ 41 Schneidscheiben	
 Typ 41 Schutzvorrichtung	 Typ 41 Schutzvorrichtung
 Trägerflansch	 Trägerflansch
 Schleifscheibe	 Diamant-Trennscheibe
 Spannmutter	 Spannmutter

Drahtscheiben	
 Typ 27 Schutzvorrichtung	 Typ 27 Schutzvorrichtung
 3-Zoll-Drahtbürste	 4-Zoll-Drahtbürste
Schleifscheiben	
 Gummi-Schleifteller	
 Schleifscheibe	
 Gewindespannmutter	

Umweltschutz



Getrennte Entsorgung. Produkte und Akkus mit diesem Symbol dürfen nicht mit dem normalen Hausmüll entsorgt werden.

Produkte und Akkus enthalten Materialien, die wiederverwertet werden können, um den Bedarf an Rohstoffen zu verringern. Bitte recyceln Sie elektrische Produkte und Akkus gemäß den örtlichen Bestimmungen. Weitere Informationen finden Sie auf www.2helpU.com

Technische Daten

BEG010 Typ 1		
Eingangsspannung	V_{AC}	230
Leistungsaufnahme	W	710
Nenn Drehzahl	min^{-1}	12000
Scheibenbohrung	mm	22

Max. Scheibenstärke		
	mm	6
Trennscheiben	mm	3,5
Spindelgröße		M14
Gewicht	kg	1,7

Schalldruckpegel gemäß EN 60745:
Schalldruck (L_{pA}) 89 dB(A), Unsicherheitsfaktor (K) 3 dB(A)
Schalleistung (L_{WA}) 100 dB(A), Unsicherheitsfaktor (K) 3 dB(A)
Gesamtvibration (Triax-Vektorsumme) gemäß EN 60745:
Oberflächenschleifen (a_{hd}) 5,1 m/s^2 , Unsicherheitsfaktor (K) 1,5 m/s^2
Schneiden ($a_{h,co}$) 4,8 m/s^2 , Unsicherheitsfaktor (K) 1,5 m/s^2
Scheibenschleifen ($a_{h,ds}$) 6,6 m/s^2 , Unsicherheitsfaktor (K) 1,5 m/s^2

EU-Konformitätserklärung
MASCHINENRICHTLINIE



BEG010 Winkelschleifer
Black & Decker erklärt, dass die in den technischen Daten beschriebenen Geräte übereinstimmen mit:
2006/42/EC, EN 60745-1:2009 + A11:2010;
EN 60745-2-3:2011 + A2:2013 + A11:2014
+ A12:2014 + A13:2015

Diese Produkte entsprechen außerdem den Richtlinien 2014/30/EU und 2011/65/EU.

Weitere Informationen erhalten Sie von Black & Decker unter der folgenden Adresse. Diese befindet sich auch auf der Rückseite dieser Anleitung.

Der Unterzeichnete ist verantwortlich für die Zusammenstellung der technischen Daten und gibt diese Erklärung im Namen von Black & Decker ab.

R. Laverick
Director of Engineering
Black & Decker Europe, 210 Bath Road, Slough,
Berkshire, SL1 3YD
Vereinigtes Königreich
27.09.2017

Garantie

Black & Decker vertraut auf die Qualität der eigenen Geräte und bietet dem Käufer eine außergewöhnliche Garantie von 24 Monaten ab Kaufdatum. Diese Garantie versteht sich unbeschadet der gesetzlichen Gewährleistungsansprüche und schränkt diese keinesfalls ein.

DEUTSCH

(Übersetzung der ursprünglichen Anweisungen)

Diese Garantie gilt innerhalb der Staatsgebiete der Mitgliedstaaten der Europäischen Union und der Europäischen Freihandelszone.

Zur Inanspruchnahme dieser Garantie muss sie den allgemeinen Geschäftsbedingungen von Black & Decker entsprechen und dem Verkäufer bzw. der Vertragswerkstatt ist ein Kaufnachweis vorzulegen. Die Bedingungen für die 2-jährige Garantie von Black & Decker und den Standort Ihrer nächstgelegenen Vertragswerkstatt finden Sie im Internet unter www.2helpU.com oder indem Sie sich an die lokale Black & Decker-Niederlassung wenden, deren Adresse Sie in dieser Anleitung finden.

Ihr neues Black & Decker-Produkt können Sie auf unserer Website unter www.blackanddecker.de registrieren. Dort erhalten Sie auch Informationen über neue Produkte und Sonderangebote.

FRANÇAIS

(Traduction des instructions initiales)

Utilisation prévue

Votre meuleuse d'angle BLACK+DECKER BEG010 a été conçue pour le meulage et le tronçonnage du métal et des matériaux de maçonnerie à l'aide de disques à tronçonner et à meuler adaptés. Équipé des dispositifs de protection appropriés, cet outil n'est prévu que pour un usage grand public.

Consignes de sécurité

Avertissements de sécurité générale liés aux outils électriques



Avertissement ! Lisez tous les avertissements de sécurité et toutes les instructions. Le non-respect des avertissements et des instructions listés ci-dessous peut entraîner des chocs électriques, des incendies et/ou de graves blessures.

Conservez tous les avertissements et toutes les instructions afin de pouvoir vous y référer dans le futur.

Le terme "outil électrique" mentionné dans tous les avertissements listés ci-dessous fait référence à vos outils électriques branchés sur secteur (avec câble) ou fonctionnant sur pile ou batterie (sans fil).

1. Sécurité de la zone de travail

- a. **Maintenez la zone de travail propre et bien éclairée.**
Les zones sombres ou encombrées sont propices aux accidents.
- b. **N'utilisez pas d'outils électriques dans un environnement présentant des risques d'explosion ou en présence de liquides, gaz ou poussières inflammables.**

(Traduction des instructions initiales)

FRANÇAIS

Les outils électriques créent des étincelles qui peuvent enflammer les poussières et les fumées.

- c. **Maintenez les enfants et les autres personnes éloignés lorsqu'un outil électrique est en marche.**
Toute distraction peut vous faire perdre le contrôle de l'outil.
2. **Sécurité électrique**
 - a. **Les prises des outils électriques doivent correspondre à la prise de courant murale. Ne modifiez jamais la prise d'aucune sorte. N'utilisez aucun adaptateur avec des outils électriques reliés à la terre.** L'utilisation de prises d'origine et de prises murales appropriées permet de réduire le risque de choc électrique.
 - b. **Évitez tout contact physique avec des surfaces reliées à la terre comme des tuyaux, des radiateurs, des fours et des réfrigérateurs par exemple.** Il y a sinon un risque accru de choc électrique si votre corps est lui-même relié à la terre.
 - c. **N'exposez pas les outils électriques à la pluie, ni à l'humidité.** Le risque de choc électrique augmente si de l'eau pénètre dans un outil électrique.
 - d. **Ne tirez pas sur le cordon d'alimentation. N'utilisez jamais le cordon pour transporter, tirer ou débrancher l'outil électrique. Maintenez le cordon éloigné de la chaleur, de substances grasses, de bords tranchants ou de pièces mobiles.** Les cordons endommagés ou emmêlés augmentent le risque de choc électrique.
 - e. **Si vous utilisez un outil électrique à l'extérieur, utilisez une rallonge homologuée pour les travaux extérieurs.** L'utilisation d'une rallonge électrique homologuée pour les travaux en extérieur réduit le risque de choc électrique.
 - f. **Si l'utilisation d'un outil électrique dans un endroit humide est inévitable, utilisez une alimentation électrique protégée par un disjoncteur différentiel à courant résiduel (DDR).** L'utilisation d'un DDR réduit le risque de choc électrique.
3. **Sécurité des personnes**
 - a. **Restez vigilant, surveillez ce que vous faites et faites preuve de bon sens lorsque vous utilisez un outil électrique. N'utilisez pas d'outils électriques si vous êtes fatigué ou sous l'influence de drogue, d'alcool ou de médicaments.** Tout moment d'inattention pendant l'utilisation d'un outil électrique peut engendrer de graves blessures.
 - b. **Portez des équipements de protection individuelle. Portez toujours une protection oculaire.** Les équipements de protection comme les masques à poussière, les chaussures de sécurité antidérapantes, les casques ou les protections auditives, utilisés à bon escient, réduisent le risque de blessures.

- c. **Empêchez tout démarrage intempestif. Assurez-vous que l'interrupteur est en position Arrêt avant de raccorder l'outil à l'alimentation électrique et/ou au bloc-batterie ou avant de ramasser ou de transporter l'outil.** Le fait de transporter les outils électriques le doigt sur l'interrupteur ou d'alimenter les outils électriques dont l'interrupteur est déjà en position de marche augmente le risque d'accidents.
- d. **Retirez toutes les clés ou pinces de réglage avant de mettre l'outil en marche.** Une clé ou une pince restée fixée sur une pièce rotative de l'outil électrique peut engendrer des blessures.
- e. **Ne vous penchez pas. Gardez les pieds bien ancrés au sol et conservez votre équilibre en permanence.** Cela permet de mieux maîtriser l'outil électrique en cas de situations imprévues.
- f. **Portez des vêtements appropriés. Ne portez aucun vêtement ample ou bijou. Gardez vos cheveux, vos vêtements et vos gants éloignés des pièces mobiles.** Les vêtements amples, les bijoux ou les cheveux longs peuvent être happés par les pièces mobiles.
- g. **Si des dispositifs pour le raccordement d'un extracteur de poussières ou des installations pour la récupération sont présents, assurez-vous qu'ils sont correctement raccordés et utilisés.** L'utilisation de dispositifs récupérateurs de poussières réduit les risques liés aux poussières.
4. **Utilisation et entretien des outils électriques**
- a. **Respectez la capacité de l'outil. Utilisez l'outil approprié en fonction du travail à réaliser.** Un outil adapté fonctionne mieux, de façon plus sûre et à la cadence pour laquelle il a été conçu.
- b. **N'utilisez pas l'outil électrique si son interrupteur ne permet pas de l'allumer ou de l'éteindre.** Tout outil électrique qui ne peut plus être commandé par son interrupteur est dangereux et doit être réparé.
- c. **Débranchez la prise du secteur et/ou retirez le bloc-batterie de l'outil électrique avant d'effectuer tout réglage, de changer un accessoire ou de ranger l'outil électrique.** Ces mesures de sécurité préventives réduisent le risque de démarrage accidentel de l'outil électrique.
- d. **Rangez les outils électriques non utilisés hors de portée des enfants et ne laissez aucune personne ne connaissant pas ces outils ou leurs instructions d'utilisation les faire fonctionner.** Les outils électriques peuvent être dangereux entre des mains inexpérimentées.
- e. **Entretenez vos outils électriques. Vérifiez que les pièces mobiles sont alignées correctement et qu'elles ne sont pas coincées.**

Vérifiez qu'aucune pièce n'est cassée et contrôlez l'absence de toute autre condition qui pourrait nuire au bon fonctionnement de l'outil. En cas de dommage, faites réparer l'outil électrique avant de l'utiliser. De nombreux accidents sont provoqués par des outils électriques mal entretenus.

- f. **Maintenez les organes de coupe affûtés et propres.** Des organes de coupe bien entretenus et affûtés sont moins susceptibles de rester coincés et sont plus faciles à contrôler.
- g. **Utilisez l'outil électrique, les accessoires et les embouts d'outils conformément à ces instructions, en tenant compte des conditions de travail, ainsi que du travail à effectuer.** L'utilisation d'un outil électrique à des fins autres que celles pour lesquelles il a été prévu engendre des situations dangereuses.
5. **Révision/Réparation**
- a. **Faites réparer votre outil électrique par une personne qualifiée, n'utilisant que des pièces de rechange d'origine.** Cela permet de garantir la sûreté de l'outil électrique.

Avertissements de sécurité supplémentaires liés aux outils électriques



Avertissement ! Avertissements de sécurité supplémentaires communs pour les opérations de meulage, ponçage, brossage métallique ou tronçonnage abrasif :

- ◆ **Cet outil électrique peut être utilisé comme meuleuse, ponceuse, brosse métallique, polisseuse ou outil de tronçonnage. Veuillez lire tous les avertissements de sécurité, toutes les instructions, les illustrations et les spécifications fournies avec cet outil électrique.** Le non-respect des instructions listées ci-dessous peut conduire à des chocs électriques, des incendies et/ou de graves blessures.
- ◆ **Les opérations pour lesquelles l'outil électrique n'a pas été conçu peuvent engendrer des risques et conduire à des blessures.**
- ◆ **N'utilisez que les accessoires spécifiquement conçus et recommandés par le fabricant de l'outil.** Le fait que l'accessoire puisse être fixé à votre outil électrique ne veut pas forcément dire que son utilisation est sans risque.
- ◆ **La vitesse nominale de l'accessoire doit être au moins égale à la vitesse maximale indiquée sur l'outil.** Les accessoires qui fonctionnent plus vite que leur vitesse nominale peuvent rompre et voler en éclats.
- ◆ **Le diamètre extérieur et l'épaisseur de votre accessoire doivent correspondre à la capacité nominale de votre outil électrique.**

Des accessoires mal dimensionnés ne peuvent pas être correctement protégés et contrôlés.

- ◆ **Le filetage d'installation des accessoires doit correspondre à celui de l'axe de la meuleuse. Pour les accessoires montés avec des brides, l'alésage de l'accessoire doit correspondre au diamètre de positionnement de la bride.** Les accessoires qui ne correspondent pas aux éléments de fixation de l'outil électrique tournent de façon déséquilibrée, ils vibrent de façon excessive et peuvent provoquer la perte de contrôle de l'outil.
- ◆ **N'utilisez pas d'accessoires endommagés. Avant toute utilisation, contrôlez sur tous les accessoires comme les disques abrasifs par exemple, l'absence d'ébréchures ou de fissures, l'absence de fissures ou d'usure excessive sur les patins-supports ou l'absence de fibres détachées ou cassées sur les brosses métalliques. Si l'outil électrique ou l'accessoire chutent, vérifiez l'absence de dommages ou installez un accessoire en bon état. Après avoir inspecté et installé un accessoire, faites fonctionner l'outil à sa vitesse à vide maximale pendant une minute.** Les disques endommagés se brisent généralement au cours de cette durée de test.
- ◆ **Portez des équipements de protection individuelle. En fonction de l'intervention, utilisez un écran facial ou des lunettes de sécurité. Le cas échéant, portez un masque anti-poussière, des protections auditives, des gants et un tablier d'atelier capables de stopper tout fragment d'abrasif ou provenant de l'ouvrage.** La protection oculaire doit être capable d'arrêter les débris générés par les diverses opérations. Le masque anti-poussière ou le masque filtrant doit pouvoir filtrer les particules produites au cours de l'opération. Les expositions prolongées à un niveau de bruit élevé peuvent provoquer une perte de l'acuité auditive.
- ◆ **Maintenez tous les spectateurs à une distance sûre de la zone d'intervention. Toute personne qui pénètre dans la zone de travail doit porter des équipements de protection individuelle.** Des débris provenant de l'ouvrage ou d'un accessoire brisé peuvent être éjectés et provoquer des blessures au-delà de la zone de travail immédiate.
- ◆ **Ne tenez l'outil que par ses surfaces de préhension isolées lorsque vous réalisez une opération pendant laquelle l'accessoire de coupe peut entrer en contact avec des câbles cachés ou son propre cordon électrique.** Tout accessoire de coupe touchant un fil sous tension met les parties métalliques exposées de l'outil sous tension et électrocute l'utilisateur.
- ◆ **Utilisez des pinces ou tout autre moyen pratique pour fixer et soutenir l'ouvrage sur une plateforme stable.**

Tenir l'ouvrage à la main ou contre votre corps le rend instable et peut conduire à une perte de contrôle.

- ◆ **Éloignez le cordon de l'accessoire en rotation.** En cas de perte de contrôle, le cordon peut être sectionné ou abîmé, et vos bras ou mains peuvent entrer en contact avec l'accessoire en rotation.
- ◆ **Ne posez pas l'outil avant l'arrêt complet de l'accessoire.** L'accessoire en rotation pourrait sinon accrocher la surface et vous faire perdre le contrôle de l'outil.
- ◆ **Ne faites pas fonctionner l'outil électrique en le tenant contre votre flan.** Un contact accidentel avec l'accessoire en rotation pourrait accrocher vos vêtements, et attirer l'accessoire vers votre corps.
- ◆ **Nettoyez régulièrement les orifices d'aération de l'outil.** Le ventilateur du moteur attire la poussière à l'intérieur du boîtier et une accumulation excessive de poussières métalliques peut conduire à un risque électrique.
- ◆ **Ne faites pas fonctionner l'outil près de matières inflammables.** Des étincelles pourraient enflammer ces matières.
- ◆ **N'utilisez pas d'accessoires nécessitant des liquides de refroidissement.** L'utilisation d'eau ou de tout autre fluide de refroidissement peut provoquer une électrocution ou un choc électrique.

Remarque : L'avertissement ci-dessus ne s'applique pas aux outils électriques spécialement conçus pour être utilisés avec un système liquide.

Rebond et avertissements liés

Les rebonds sont la conséquence du pincement ou du grippage d'un disque, d'un porte-patin, d'une brosse ou de tout autre accessoire en rotation. Le pincement ou le grippage provoque le blocage rapide de l'accessoire en rotation entraînant alors l'outil électrique non contrôlé dans la direction opposée au sens de rotation de l'accessoire au niveau du point de grippage.

Par exemple, si un disque abrasif reste grippé ou pincé dans l'ouvrage, le bord du disque engagé au point de grippage peut creuser la surface du matériau et provoquer le soulèvement ou le rebond du disque. Le disque peut être projeté vers l'utilisateur ou à l'opposé, selon le sens du mouvement du disque au point de pincement. Dans ces conditions, il peut aussi arriver que les disques abrasifs se brisent.

Les rebonds proviennent d'une utilisation inappropriée de l'outil électrique et/ou de conditions ou de procédures d'exécution incorrectes et ils peuvent être évités en prenant les précautions adéquates énoncées ci-dessous.

- ◆ **Maintenez fermement l'outil électrique en plaçant votre corps et votre bras de manière à pouvoir résister à la force d'un rebond. Utilisez toujours la poignée auxiliaire, si elle existe, pour un contrôle maximal de l'outil en cas de rebond ou de retour de couple au démarrage.** L'utilisateur peut contrôler les retours de couple ou la force des rebonds si des précautions adéquates sont prises.
- ◆ **Ne placez jamais votre main à côté de l'accessoire en rotation.** L'accessoire pourrait rebondir sur vos mains.
- ◆ **Ne placez pas votre corps dans la zone où l'outil pourrait se déplacer en cas de rebond.** Un rebond propulse l'outil dans la direction opposée au mouvement du disque au niveau du point de grippage.
- ◆ **Prenez les précautions nécessaires dans les coins, sur les arêtes, etc. Évitez de faire tressauter ou de faire accrocher l'accessoire.** Les coins, bords acérés ou les rebondissements ont tendance à retenir l'accessoire en rotation et à provoquer la perte de contrôle de l'outil ou des rebonds.
- ◆ **N'installez pas de lame à sculpter le bois ou de lame dentée.** Ces lames provoquent de fréquents rebonds ou perte de contrôle.

Consignes de sécurité pour les opérations de ponçage et de coupe abrasive

- ◆ **N'utilisez que les types de disque recommandés pour votre outil et la protection spécifiquement conçue pour le disque sélectionné.** Les disques non conçus pour l'outil électrique ne peuvent pas être correctement protégés et ils sont dangereux.
- ◆ **La surface de meulage des disques enfoncés au centre doit être fixée sous le plan de la lèvre de protection.** Un disque mal monté qui dépasse du plat de la lèvre de protection ne peut pas être correctement protégé.
- ◆ **Le carter de protection doit être soigneusement fixé à l'outil électrique et placé de façon à optimiser la sécurité et que l'utilisateur soit le moins possible exposé au disque.** Le carter de protection doit protéger l'utilisateur contre les fragments de disque cassés, le contact accidentel et des étincelles qui pourraient enflammer les vêtements.
- ◆ **Les disques ne doivent être utilisés que pour les applications recommandées. Ne meulez par exemple pas avec le côté d'un disque à tronçonner.** Les disques à tronçonner abrasifs sont prévus pour le meulage périphérique, toute force latérale appliquée sur ces disques peut les faire voler en éclats.
- ◆ **Utilisez toujours des brides de disque en bon état, ayant la dimension et la forme appropriées au disque choisi.** Les brides de disque servent de support aux disques, réduisant ainsi les possibilités de rupture.

Les brides de disques à tronçonner peuvent différer des brides de disques à meuler.

- ◆ **N'utilisez pas les disques usés provenant de plus gros outils.** Les disques conçus pour des outils électriques plus gros ne sont pas adaptés pour les vitesses plus rapides des outils plus petits et ils peuvent voler en éclats.

Avertissements de sécurité supplémentaires spécifiques aux opérations de tronçonnage abrasif

- ◆ **Ne bloquez pas les disques à tronçonner et n'exercez pas une trop forte pression dessus. Ne tentez pas de réaliser des découpes de trop grandes profondeurs.** Une pression excessive sur le disque augmente la charge imposée à l'outil et les possibilités de torsion ou de grippage du disque dans la coupe et par conséquent les risques de rebonds ou de ruptures.
- ◆ **Ne placez pas votre corps dans l'alignement ou derrière le disque en rotation.** Lorsque le disque, au point d'exécution, s'éloigne de votre corps, le rebond possible peut le propulser avec l'outil électrique directement vers vous.
- ◆ **En cas de grippage du disque ou si une coupe est interrompue pour une quelconque raison, éteignez l'outil électrique et maintenez-le immobile jusqu'à l'arrêt complet du disque. Ne tentez jamais de retirer un disque à tronçonner de la coupe s'il est encore en mouvement, un rebond pourrait sinon se produire.** Cherchez la cause du grippage du disque et appliquez les actions correctives afin de la supprimer.
- ◆ **Ne relancez pas la coupe dans l'ouvrage. Laissez le disque tourner à plein régime puis ré-entrez le prudemment dans la coupe.** Le disque pourrait sinon se gripper, sortir de la coupe ou rebondir si l'outil électrique était remis en marche à l'intérieur de la pièce à tronçonner.
- ◆ **Soutenez les panneaux ou les grandes pièces afin de réduire le risque de coincement ou de grippage du disque.** Les pièces de grande taille ont tendance à s'affaisser sous leur propre poids. Des supports doivent être placés sous la pièce à tronçonner, près de la ligne de découpe et sur les bords, des deux côtés du disque.
- ◆ **Soyez particulièrement vigilant lorsque vous effectuez des "découpes de cavités" dans des murs existants ou que vous procédez à des découpes à l'aveugle.** La saillie du disque peut sectionner des canalisations de gaz ou d'eau, des fils électriques ou des objets pouvant provoquer des rebonds.

Consignes de sécurité spécifiques aux opérations de ponçage

- ◆ **N'utilisez pas des disques de papier de ponçage de trop grandes dimensions.**

Suivez les recommandations des fabricants pour sélectionner le papier abrasif. Les feuilles de papier abrasif de grande taille, dépassant du patin de ponçage, posent des risques de laceration et elles peuvent provoquer le grippage, le déchirement ou la casse du disque ou des rebonds.

Consignes de sécurité spécifiques aux opérations de brossage métallique

- ◆ **Gardez à l'esprit que des fibres métalliques sont éjectées par la brosse même pendant les opérations ordinaires. Ne contraignez pas trop les fils métalliques en appliquant une pression excessive sur la brosse.** Les fibres métalliques peuvent facilement pénétrer les vêtements légers et/ou la peau.
- ◆ **Si l'utilisation d'un carter de protection est recommandée pour le brossage métallique, protégez le disque-brosse ou la brosse métallique de toute interférence avec le carter de protection.** Le diamètre du disque-brosse ou de la brosse métallique peut augmenter en fonction de la sollicitation de l'outil et de la force centrifuge.

Sécurité des personnes

- ◆ Cet appareil n'est pas conçu pour être utilisé par des personnes (y compris des enfants) aux capacités physiques, sensorielles ou intellectuelles réduites ou sans expérience ni connaissances, à moins qu'elles ne soient surveillées ou qu'elles aient été formées sur la façon sûre d'utiliser l'appareil, par une personne responsable de leur sécurité.
- ◆ Ne laissez jamais les enfants sans surveillance afin d'éviter qu'ils ne jouent avec l'appareil.

Risques résiduels

Certains risques résiduels autres que ceux mentionnés dans les avertissements sur la sécurité peuvent survenir en utilisant l'outil.

Ces risques peuvent être provoqués par une utilisation incorrecte, prolongée, etc.

Malgré l'application des normes de sécurité pertinentes et la mise en œuvre de dispositifs de sécurité, certains risques résiduels ne peuvent pas être évités. Ils comprennent :

- ◆ Les blessures provoquées par le contact avec des pièces rotatives/mobiles.
- ◆ Les blessures provoquées pendant le remplacement de pièces, de lames ou d'accessoires.
- ◆ Les blessures dues à l'utilisation prolongée d'un outil. Lorsque vous utilisez un outil quel qu'il soit pendant de longues périodes, assurez-vous de faire des pauses régulières.
- ◆ La diminution de l'acuité auditive.

- ◆ Les risques pour la santé provoqués par l'inhalation des poussières générées pendant l'utilisation de votre outil (exemple : travail avec du bois, surtout le chêne, le hêtre et les panneaux en MDF)

Vibrations

La valeur des émissions de vibrations déclarée dans les caractéristiques techniques et la déclaration de conformité a été mesurée conformément à la méthode de test standard de la norme EN 60745 et peut être utilisée pour comparer un outil à un autre. La valeur des émissions de vibrations déclarée peut aussi être utilisée pour une évaluation préliminaire à l'exposition.

Avertissement ! En fonction de la manière dont l'outil est utilisé, la valeur des émissions de vibrations réelles pendant l'utilisation de l'outil peut différer de la valeur déclarée. Le niveau des vibrations peut dépasser le niveau déclaré.

Quand l'exposition aux vibrations est évaluée afin de déterminer les mesures de sécurité requises par la norme 2002/44/CE pour protéger les personnes utilisant régulièrement des outils électriques, cette estimation doit tenir compte des conditions réelles d'utilisation et de la façon dont l'outil est utilisé. Il faut également tenir compte de toutes les composantes du cycle de fonctionnement comme la durée pendant laquelle l'outil est arrêté et quand il fonctionne au ralenti, ainsi que la durée du déclenchement.

Étiquettes apposées sur l'outil

Les pictogrammes suivants ainsi que le code date sont apposés sur l'outil :



Avertissement ! Afin de réduire le risque de blessures, l'utilisateur doit lire le manuel d'utilisation.



Portez des lunettes de sécurité lorsque vous utilisez cet outil.



Portez des protections auditives lorsque vous utilisez cet outil.

Sécurité électrique



Votre chargeur dispose d'une double isolation, aucune liaison à la terre n'est donc nécessaire. Vérifiez toujours que la tension du réseau électrique correspond à la tension figurant sur la plaque signalétique.

- ◆ Si le câble d'alimentation est endommagé, il doit être remplacé par le fabricant ou par un centre de réparation agréé BLACK+DECKER afin d'éviter tout accident.

Chutes de tension

Les appels de courant provoquent des micro chutes de tension. Dans des conditions d'alimentation électrique défavorables, d'autres équipements peuvent en être affectés.

Si l'impédance du système de l'alimentation électrique est inférieure à 0,107 Ω , les perturbations sont peu probables.

Caractéristiques

Cet outil dispose de tout ou partie des éléments suivants.

1. Interrupteur Marche/Arrêt
2. Dispositif de verrouillage de l'axe
3. Carter de protection
4. Poignée latérale

Assemblage

Avertissement ! Avant l'assemblage, assurez-vous que l'outil est éteint et débranché.

Installer et retirer le carter de protection (Fig. A1? A2)

L'outil est livré avec un carter de protection destiné uniquement aux opérations de meulage (type 27). Si l'outil doit être utilisé pour effectuer des opérations de tronçonnage, un carter de protection spécifique à ces opérations (type 41) doit être installé. Un carter adapté (numéro de pièce N642463) pour les disques de tronçonnage de 115mm est disponible dans les centres d'assistance BLACK+DECKER.

- ◆ Placez l'outil sur une table, en orientant l'axe (5) vers le haut.
- ◆ Alignez les ergots (7) sur les encoches (8).
- ◆ Abaissez le carter de protection et tournez-le dans le sens des aiguilles d'une montre jusqu'à la position requise.
- ◆ Serrez la vis (6) pour fixer le carter de protection.

Retrait

- ◆ Desserrez la vis (6).
- ◆ Tournez le carter de protection dans le sens inverse des aiguilles d'une montre pour aligner les ergots (7) avec les encoches (8).
- ◆ Retirez le carter de protection de l'outil.

Avertissement ! N'utilisez jamais l'outil sans son carter de protection.

Installer la poignée latérale

- ◆ Vissez la poignée latérale (4) dans l'un des trous de fixation sur l'outil.

Avertissement ! Utilisez toujours la poignée latérale.

Installation et retrait des disques de meulage (Fig B - D)

Utilisez toujours le bon type de disque en fonction du travail à effectuer.

Utilisez toujours des disques du bon diamètre et dont l'alésage est de la bonne taille (voir caractéristiques techniques).

Installation

- ◆ Installez le carter de protection comme décrit ci-dessus.
- ◆ Placez la bride intérieure (10) sur l'axe (5) comme illustré (Fig. B). Assurez-vous que la bride est correctement positionnée sur les côtés plats de l'axe.
- ◆ Placez le disque (11) sur l'axe (5) comme illustré (Fig. B). Si le disque est bombé au centre (12), assurez-vous que la partie bombée pointe vers la bride intérieure.
- ◆ Assurez-vous que le disque est correctement placé sur la bride intérieure.
- ◆ Placez la bride extérieure (13) sur l'axe. Lorsque vous installez un disque de meulage, le centre bombé sur la bride extérieure doit pointer vers le disque (A sur la Fig. C). Lorsque vous installez un disque de tronçonnage, le centre bombé sur la bride extérieure doit pointer à l'opposé du disque (B sur la Fig. C).
- ◆ Maintenez le système de verrouillage de l'axe (2) enfoncé et serrez la bride extérieure à l'aide de la clé à double ergot (14) (Fig. D).

Retrait

- ◆ Maintenez le système de verrouillage de l'axe (2) enfoncé et desserrez la bride extérieure (13) à l'aide de la clé à double ergot (14) (Fig. D).
- ◆ Retirez la bride extérieure (13) et le disque (11).

Meuler une surface avec des disques de meulage

- ◆ Laissez l'outil atteindre son plein régime avant de le mettre en contact avec l'ouvrage.
- ◆ Appuyez un minimum sur l'ouvrage et laissez l'outil fonctionner à pleine vitesse. La cadence de meulage est supérieure lorsque l'outil fonctionne à plein régime.
- ◆ Maintenez un angle de 20° à 30° entre l'outil et la surface à meuler comme illustré par la figure F.
- ◆ Déplacez continuellement l'outil vers l'avant et l'arrière pour éviter de créer des inégalités dans la surface de l'ouvrage.
- ◆ Soulevez l'outil de la surface avant de l'éteindre. Laissez l'outil s'arrêter complètement de tourner avant de le poser.

Meuler des chants avec des disques de meulage

Les disques utilisés pour le tronçonnage et le meulage de chants peuvent se briser ou rebondir s'ils se courbent ou se tordent pendant le tronçonnage ou le meulage en profondeur. Le meulage de chant/le tronçonnage avec un disque de type 27 doit être limité aux découpes et au rainurage peu profonds - moins de 13 mm de profondeur lorsque le disque est neuf.

Réduisez la profondeur de la découpe/du rainurage proportionnellement à la réduction du rayon du disque, suivant son usure. Consultez le tableau des accessoires de meulage et de tronçonnage à la fin de ce manuel pour obtenir plus d'informations. Le meulage de chant/le tronçonnage avec un disque de type 41 nécessite l'utilisation d'un carter de protection de type 41.

- ◆ Laissez l'outil atteindre son plein régime avant de le mettre en contact avec l'ouvrage.
- ◆ Appuyez un minimum sur l'ouvrage et laissez l'outil fonctionner à pleine vitesse. La cadence de meulage est supérieure lorsque l'outil fonctionne à plein régime.
- ◆ Placez-vous de sorte que le côté inférieur à nu du disque pointe loin de vous.
- ◆ Lorsqu'une coupe est commencée et qu'une entaille est pratiquée dans l'ouvrage, ne modifiez plus l'angle de coupe. La modification de l'angle entraîne la courbure du disque qui peut alors se briser.
Les disques pour le meulage de chants ne sont pas conçus pour supporter les pressions latérales en cas de courbure.
- ◆ Retirez l'outil de l'ouvrage avant de l'éteindre. Laissez l'outil s'arrêter complètement de tourner avant de le poser.

Avvertissement ! N'utilisez pas de disques de meulage de chants/à tronçonner pour meuler les surfaces si l'étiquette sur ces disques l'interdit car ils ne sont pas conçus pour les pressions latérales subies lors du meulage de surfaces. Une rupture du disque et de graves blessures pourraient en résulter.

Installer et retirer des disques de ponçage (Fig. D et E)

Un porte-patin est nécessaire pour le ponçage. Le patin-support est un accessoire disponible auprès de votre revendeur BLACK+DECKER.

Installation

- ◆ Placez la bride intérieure (10) sur l'axe (5) comme illustré (Fig. E). Assurez-vous que la bride est correctement positionnée sur les côtés plats de l'axe.
- ◆ Placez le porte-patin (15) sur l'axe.
- ◆ Placez le disque de ponçage (16) sur le porte-patin.
- ◆ Installez la bride extérieure (13) sur l'axe en orientant le centre bombé à l'opposé du disque.
- ◆ Maintenez le système de verrouillage de l'axe (2) enfoncé et serrez la bride extérieure à l'aide de la clé à double ergot (14) (Fig. D). Assurez-vous que la bride extérieure est correctement installée et que le disque est fermement fixé.

Retrait

- ◆ Maintenez le système de verrouillage de l'axe (2) enfoncé et desserrez la bride extérieure (13) à l'aide de la clé à double ergot (14) (Fig. D).
- ◆ Retirez la bride extérieure (13), le disque de ponçage (16) et le porte-patin (15).

Finition de surface avec des disques de ponçage

- ◆ Laissez l'outil atteindre son plein régime avant de le mettre en contact avec l'ouvrage.
- ◆ Appuyez un minimum sur l'ouvrage et laissez l'outil fonctionner à pleine vitesse. La cadence de ponçage est meilleure lorsque l'outil fonctionne à plein régime.
- ◆ Maintenez un angle de 5° à 10° entre l'outil et l'ouvrage comme illustré par la figure G.
- ◆ Déplacez continuellement l'outil vers l'avant et l'arrière pour éviter de créer des inégalités dans la surface de l'ouvrage.
- ◆ Soulevez l'outil de la surface avant de l'éteindre. Laissez l'outil s'arrêter complètement de tourner avant de le poser.

Utilisation de porte-patins de ponçage

Choisissez toujours des disques de ponçage avec un grain approprié à votre application. Les disques de ponçage sont disponibles en différents grains. Les grains plus grossiers permettent un retrait de matière plus rapide et une finition plus brute. Les grains plus fins permettent un retrait de matière plus lent et une finition plus lisse.

Commencez avec les disques à grain grossier pour un retrait plus rapide et brut de matière. Passez ensuite à un grain moyen et terminez avec un disque à grain fin pour une finition optimale.

- ◆ Ponçage grossier = Grain 16 - 30.
- ◆ Ponçage moyen = Grain 36 - 80.
- ◆ Finition fine = Grain 100 - 120.
- ◆ Finition ultra-fine : Grain 150 - 180.
- ◆ Laissez l'outil atteindre son plein régime avant de le mettre en contact avec l'ouvrage.
- ◆ Appuyez un minimum sur l'ouvrage et laissez l'outil fonctionner à pleine vitesse. La cadence de ponçage est meilleure lorsque l'outil fonctionne à plein régime.
- ◆ Maintenez un angle de 5° à 10° entre l'outil et l'ouvrage comme illustré par la figure H. Le disque de ponçage doit toucher environ 25mm de la surface de l'ouvrage.
- ◆ Déplacez l'outil en permanence en ligne droite afin d'éviter les brûlures et les rayures sur la surface de l'ouvrage. Si l'outil est laissé sur la surface ou s'il est déplacé en mouvements circulaires, des brûlures et des rayures peuvent marquer la surface de l'ouvrage.
- ◆ Soulevez l'outil de la surface avant de l'éteindre. Laissez l'outil s'arrêter complètement de tourner avant de le poser.

Précautions à prendre pour poncer de la peinture

- ◆ Le ponçage de peinture à base de plomb **N'EST PAS RECOMMANDÉ** en raison de la difficulté à contrôler la poussière contaminée. Les enfants et les femmes enceintes courent le plus grand risque d'empoisonnement par le plomb.
- ◆ Étant donnée la difficulté à pouvoir déterminer si une peinture contient ou non du plomb sans analyse chimique, nous recommandons les précautions suivantes lors du ponçage de toutes les peintures :
 - ◆ Les enfants et les femmes enceintes ne doivent pas pénétrer dans la zone de travail lors du ponçage de peintures et tant que le nettoyage n'est pas terminé.
 - ◆ Toutes les personnes pénétrant dans la zone de travail doivent porter un masque anti-poussière ou un appareil respiratoire. Le filtre doit être remplacé tous les jours ou dès que l'utilisateur a du mal à respirer.

Remarque : Seuls les masques appropriés pour le travail avec de la poussière et des fumées de peinture au plomb doivent être utilisés. Les masques pour peinture ordinaires n'offrent pas une telle protection. Prenez conseil auprès de votre quincaillerie concernant les masques à poussières homologués.

- ◆ **NE MANGEZ, NE BUVEZ et NE FUMEZ PAS** dans la zone de travail afin d'éviter d'ingérer des particules de peinture contaminées. Les utilisateurs doivent se laver et procéder au nettoyage **AVANT** de manger, de boire ou de fumer. Les aliments et les cigarettes ne doivent pas être laissés dans la zone de travail si la poussière peut s'y déposer.
- ◆ La peinture doit être retirée de manière à réduire au minimum la quantité de poussière générée.
- ◆ Les zones où le retrait de peinture a lieu doivent être scellées avec des bâches en plastique d'une épaisseur de 4 millimètres.
- ◆ Le ponçage doit être effectué de manière à réduire l'entraînement de poussière de peinture hors de la zone de travail.
- ◆ Toutes les surfaces de la zone de travail doivent être aspirées et nettoyées à fond, chaque jour et pendant toute la durée du travail de ponçage. Les sacs filtrants des aspirateurs doivent être remplacés fréquemment.
- ◆ Les bâches de protection en plastique doivent être rassemblées et jetées avec les poussières, copeaux et autres débris. Elles doivent être placées dans des récipients étanches et jetées selon les procédures habituelles de collecte des déchets. Pendant le nettoyage, les enfants et les femmes enceintes doivent être tenus éloignés de la zone de travail.
- ◆ Tous les jouets, meubles lavables et ustensiles utilisés par les enfants doivent être lavés à fond avant de pouvoir être réutilisés.

Monter et utiliser des brosses métalliques et des disques brosses

Les brosses boisseaux métalliques et les disques brosses se vissent directement sur l'axe de la meuleuse sans utiliser de brides. b. Un carter de protection de type 27 est nécessaire pour utiliser des brosses métalliques et des disques. Portez des gants de travail lors de la manipulation des brosses métalliques et des disques. Ils peuvent être tranchants. Le disque ou la brosse ne doit pas toucher le carter de protection au moment de son installation ou pendant l'utilisation. Des dommages indétectables peuvent se produire sur l'accessoire, entraînant la fragmentation des brins du disque ou de la brosse boisseau.

- ◆ Vissez le disque sur l'axe à la main.
- ◆ Enfoncez le bouton de blocage de l'arbre et utilisez une clé sur le moyeu de la brosse métallique ou brosse métallique à mèches pour la serrer.
- ◆ Pour retirer le disque, suivez la procédure ci-dessus dans l'ordre inverse.

Avertissement ! Si le moyeu du disque n'est pas correctement positionné avant de mettre l'outil en marche, l'outil ou le disque peuvent être endommagés. Les disques brosses et les brosses métalliques peuvent être utilisés pour éliminer la rouille, le calcaire et la peinture et pour lisser les surfaces irrégulières.

Remarque : Les précautions à prendre pour éliminer de la peinture avec une brosse métallique sont identiques à celles applicables pour le ponçage de la peinture.

- ◆ Laissez l'outil atteindre son plein régime avant de le mettre en contact avec l'ouvrage.
- ◆ Appuyez un minimum sur l'ouvrage et laissez l'outil fonctionner à pleine vitesse. La cadence de retrait de matière est meilleure lorsque l'outil fonctionne à plein régime.
- ◆ Conservez un angle de 5° à 10° entre l'outil et la surface à brosser avec des brosses boisseaux métalliques, comme illustré par la figure I.
- ◆ Maintenez le contact entre le bord du disque et la surface à brosser avec les disques-brosses.
- ◆ Déplacez continuellement l'outil vers l'avant et l'arrière pour éviter de créer des inégalités dans la surface de l'ouvrage.
Si l'outil est laissé sur la surface ou s'il est déplacé en mouvements circulaires, des brûlures et des rayures peuvent marquer la surface de l'ouvrage.
- ◆ Retirez l'outil de l'ouvrage avant de l'éteindre. Laissez l'outil s'arrêter complètement de tourner avant de le poser.

Avertissement ! Faites particulièrement attention quand vous intervenez sur les bords, car la meuleuse peut se déplacer de façon soudaine.

Installer et utiliser des disques à tronçonner (type 41)

Les disques à tronçonner incluent les disques diamant et les disques abrasifs. Des disques à tronçonner abrasifs existent pour le métal et le béton. Des lames diamant peuvent aussi être utilisées pour tronçonner le béton.

REMARQUE : Un carter de protection fermé bilatéral de type 41 est vendu séparément et il est nécessaire pour utiliser des disques à tronçonner. Ne pas utiliser de bride et de carter de protection adaptés peut entraîner des blessures si le disque casse ou en cas de contact avec le disque. Des brides-supports et des écrous de serrage filetés du bon diamètre (fournis avec l'outil) doivent être utilisés avec les disques à tronçonner.

Installer un carter de protection fermé (type 41) (Fig. J, K)

- ◆ Alignez les trois ergots du carter de protection avec les trois fentes du moyeu. Cela permet d'aligner les ergots avec les fentes sur le capot du carter d'engrenage, comme illustré par la figure J.
- ◆ Enfoncez le carter de protection jusqu'à ce que la patte s'engage dans la rainure du moyeu du carter d'engrenage.
- ◆ Pivotez le carter de protection dans le sens des aiguilles d'une montre pour le verrouiller en place.
Le corps du carter de protection doit se trouver entre l'axe et l'utilisateur pour offrir une protection maximale.
- ◆ Serrez la vis de fixation du carter de protection pour le fixer sur le capot du carter d'engrenage. Vous ne devez pas pouvoir faire pivoter le carter de protection à la main. N'utilisez pas la meuleuse si le carter de protection n'est pas fermement fixé.
- ◆ Pour retirer le carter de protection, desserrez la vis de fixation du carter de protection. Tournez ensuite le carter de protection de façon que les trois ergots sur le carter soient alignées avec les trois fentes sur le moyeu et soulevez le carter de protection.

Installation des disques à tronçonner

- ◆ Placez la bride-support non fileté sur l'axe, section bombée (pilote) vers le haut. La section bombée (pilote) sur la bride-support se trouve contre le disque lorsque le disque est installé.
- ◆ Placez le disque sur la bride-support en le centrant sur la section bombée (pilote).
- ◆ Installez l'écrou de blocage fileté, section bombée (pilote) à l'opposé du disque.
- ◆ Enfoncez le bouton de verrouillage de l'axe et serrez l'écrou de blocage à l'aide de la clé fournie.
- ◆ Pour retirer le disque, enfoncez le bouton de verrouillage de l'axe et desserrez l'écrou de blocage fileté à l'aide de la clé fournie.

Avertissement ! N'utilisez pas de disques de meulage de chants/à tronçonner pour meuler les surfaces car ces disques ne sont pas conçus pour les pressions latérales subies lors du meulage de surfaces. Une rupture du disque et des blessures peuvent se produire.

- ◆ Laissez l'outil tourner à plein régime avant de le mettre en contact avec la surface de l'ouvrage.
- ◆ Appuyez un minimum sur l'ouvrage et laissez l'outil fonctionner à pleine vitesse. La cadence de tronçonnage est meilleure lorsque l'outil fonctionne à plein régime.
- ◆ Lorsqu'une coupe est commencée et qu'une entaille est pratiquée dans l'ouvrage, ne modifiez plus l'angle de coupe. La modification de l'angle entraîne la courbure du disque qui peut alors se briser.
- ◆ Soulevez l'outil de la surface avant de l'éteindre. Laissez l'outil s'arrêter complètement de tourner avant de le poser.

Utilisation

Avertissement ! Laissez l'outil fonctionner à son propre rythme. Ne le poussez pas au-delà de sa capacité.

- ◆ Prenez les précautions nécessaires pour guider le câble et éviter de le sectionner.
- ◆ Gardez à l'esprit que des étincelles peuvent se produire lorsque le disque de meulage ou le disque à tronçonner touchent l'ouvrage.
- ◆ Positionnez toujours l'outil de manière à ce que le carter de protection vous protège au maximum du disque de meulage ou de tronçonnage.

Mise en marche et extinction

- ◆ Pour mettre l'outil en marche, appuyez sur l'interrupteur Marche/Arrêt (1).
- ◆ Pour éteindre l'outil, relâchez l'interrupteur Marche/Arrêt (1).

Avertissement ! N'éteignez pas l'outil avant qu'il ne tourne à vide.

Conseils pour une utilisation optimale

- ◆ **Maintenez fermement l'outil en plaçant une main autour de la poignée latérale et l'autre main autour de la poignée principale.**
- ◆ Pendant le meulage, maintenez toujours un angle d'environ 15° entre le disque et la surface de l'ouvrage.

Maintenance

Votre appareil/outil sans fil/avec fil BLACK+DECKER a été conçu pour fonctionner pendant longtemps avec un minimum d'entretien. Le fonctionnement continu et satisfaisant de l'appareil dépend de son bon entretien et de son nettoyage régulier.

Avertissement ! Avant toute intervention de maintenance sur des outils électriques avec ou sans fil :

- ◆ Éteignez l'appareil/outil, puis débranchez-le.

- ◆ Ou, éteignez l'appareil et retirez la batterie de l'appareil/outil si celui-ci est muni d'un bloc-batterie séparé.
- ◆ Ou déchargez complètement la batterie si elle est intégrée, puis éteignez l'appareil (position Arrêt).
- ◆ Débranchez le chargeur de le nettoyer. Votre chargeur ne nécessite aucun entretien particulier, à l'exception d'un nettoyage régulier.
- ◆ Nettoyez régulièrement les orifices de ventilation de votre appareil/outil/chargeur à l'aide d'une brosse souple ou d'un chiffon sec.
- ◆ Nettoyez régulièrement le bloc-moteur à l'aide d'un chiffon humide. N'utilisez pas de détergents abrasifs ou à base de solvants.
- ◆ Ouvrez régulièrement le mandrin et retirez la poussière à l'intérieur en le tapant (si installé).

Remplacement de la prise secteur (RU et Irlande uniquement)

Si une nouvelle prise secteur doit être installée :

- ◆ Jetez l'ancienne prise de façon appropriée.
- ◆ Raccordez le fil marron à la borne de phase de la nouvelle prise.
- ◆ Raccordez le fil bleu à la borne du neutre.





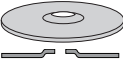


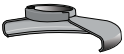




Avvertissement ! Aucun branchement ne doit être fait à la borne de terre.

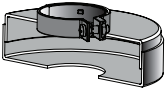
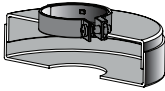













Suivez les instructions d'installation fournies avec les prises de bonne qualité. Fusible recommandé : 13 A.

Dépannage

Problème	Cause possible	Solution possible
L'appareil ne démarre pas.	Le cordon n'est pas branché.	Branchez l'outil dans une prise de courant qui fonctionne.
	Le cordon ou l'interrupteur sont endommagés.	Faites remplacer le cordon ou l'interrupteur dans un centre d'assistance BLACK+DECKER ou un centre agréé.

Tableau des accessoires de meulage et de tronçonnage

Disque de meulage	
 Carter de protection type 27	 Carter de protection type 27
 Bride-support non fileté	 Disque à moyeu type 27
 Disque à centre creux type 27	
 Écrou de blocage fileté	
Disques de ponçage à lamelles	
 Carter de protection type 27	 Carter de protection type 27
 Disque de ponçage à lamelles avec moyeu	 Bride-support non fileté
	 Disque de ponçage à lamelles sans moyeu
	 Écrou de blocage fileté

Disques à tronçonner type 41	
	
Carter de protection type 41	Carter de protection type 41
	
Bride-support	Bride-support
	
Disque à tronçonner abrasif	Disque à tronçonner diamant
	
Écrou de blocage	Écrou de blocage
Disques brosses	
	
Carter de protection type 27	Carter de protection type 27
	
Brosse boisseau métallique 3 pouces	Brosse boisseau métallique 4 pouces
Disques de ponçage	
	
Porte-patin en caoutchouc	
	
Disque de ponçage	
	
Écrou de blocage fileté	

Protection de l'environnement



Tri sélectif. Les produits et batteries marqués de ce symbole ne doivent pas être jetés avec les déchets ménagers.

Les produits et batteries contiennent des matières qui peuvent être récupérées et recyclées afin de réduire la demande en matières premières.

Veillez à recycler les produits électriques et les piles et batteries conformément aux prescriptions locales en vigueur. Plus d'informations sont disponibles sur le site www.2helpU.com

Caractéristiques techniques

BEG010 Type 1		
Tension d'entrée	V_{CA}	230
Puissance absorbée	W	710
Vitesse nominale	min ⁻¹	12000
Orifice du disque	mm	22

Épaisseur max. du disque		
	mm	6
Disques à tronçonner	mm	3,5
Taille de l'axe		M14
Poids	Kg	1,7

Niveau de pression sonore selon la norme EN 60745 :	
Pr _{ess} on sonore (L _{pA})	89 dB(A), incertitude (K) 3 dB(A)
Puissance sonore (L _{WA})	100 dB(A), incertitude (K) 3 dB(A)

Valeurs totales des vibrations (somme vectorielle triaxiale) selon la norme EN 60745 :	
Meulage de surface (a_{vD})	5,1 m/s ² , incertitude (K) 1,5 m/s ²
Tronçonnage (a_{vCO})	4,8 m/s ² , incertitude (K) 1,5 m/s ²
Ponçage avec disque (a_{vDS})	6,6 m/s ² , incertitude (K) 1,5 m/s ²

Déclaration de conformité CE

DIRECTIVES MACHINES



Meuleuse d'angle BEG010

Black & Decker déclare que les produits décrits dans les "Caractéristiques techniques" sont conformes aux normes :
2006/42/CE, EN 60745-1:2009 + A11:2010;
EN 60745-2-3:2011 + A2:2013 + A11:2014
+ A12:2014 + A13:2015

Ces produits sont également conformes aux Directives
2014/30/UE et 2011/65/UE.

Pour plus de détails, veuillez contacter Black & Decker à l'adresse suivante ou consultez la dernière page du manuel.

Le soussigné est responsable de la compilation des données de la fiche technique et fait cette déclaration au nom de Black & Decker.



R. Laverick
Directeur Ingénierie
Black & Decker Europe, 210 Bath Road, Slough,
Berkshire, SL1 3YD
Royaume-Uni
27/09/2017

Garantie

Black & Decker assure la qualité de ses produits et offre une garantie de 24 mois aux utilisateurs, à partir de la date d'achat. Cette garantie s'ajoute à vos droits légaux auxquels elle ne porte aucunement préjudice. Cette garantie est valable au sein des territoires des États membres de l'Union Européenne et au sein de la Zone européenne de libre-échange.

Pour prétendre à la garantie, la réclamation doit être en conformité avec les conditions générales de Black & Decker et vous devez fournir une preuve d'achat au vendeur ou au réparateur agréé. Les conditions générales de la garantie de 2 ans Black & Decker ainsi que l'adresse du réparateur agréé le plus proche sont disponibles sur le site Internet www.2helpU.com ou en contactant votre agence Black & Decker locale à l'adresse indiquée dans ce manuel.

Accédez à notre site Internet www.blackanddecker.co.uk pour enregistrer votre nouveau produit Black & Decker et être informé des nouveaux produits et des offres spéciales.

Usò previsto

La smerigliatrice angolare BLACK+DECKER BEG010 è stata progettata per la molatura e il taglio di metallo e muratura, usando il tipo appropriato di disco da taglio o smerigliatura. Una volta montata la protezione appropriata, questo utensile è destinato esclusivamente all'uso da parte del consumatore.

Istruzioni di sicurezza

Avvertenze di sicurezza generali per gli elettro utensili



Avvertenza! Leggere attentamente tutte le avvertenze e le istruzioni di sicurezza. La mancata osservanza delle avvertenze e istruzioni elencate di seguito potrebbe dar luogo a scosse elettriche, incendi e/o lesioni gravi alle persone.

Conservare tutte le avvertenze e le istruzioni per consultazioni successive. Il termine "elettro utensile" che ricorre in tutte le avvertenze seguenti si riferisce ad utensili elettrici con o senza filo.

1. Sicurezza nell'area di lavoro

- Mantenere pulita e bene illuminata l'area di lavoro.** Gli ambienti disordinati o scarsamente illuminati favoriscono gli incidenti.
- Evitare di usare gli elettro utensili in ambienti esposti a rischio di esplosione, ad esempio in presenza di liquidi, gas o polveri infiammabili.** Gli elettro utensili generano scintille che possono incendiare le polveri o i fumi.
- Tenere lontani bambini e altre persone presenti mentre si usa un elettro utensile.** Eventuali distrazioni possono provocare la perdita di controllo dello stesso.

2. Sicurezza elettrica

- Le spine elettriche degli elettro utensili devono essere adatte alla presa di corrente. Non modificare la spina in alcun modo. Non utilizzare spine con adattatore con gli elettro utensili dotati di messa a terra.** Per ridurre il rischio di scosse elettriche evitare di modificare le spine e utilizzare sempre le prese di corrente appropriate.
- Evitare il contatto fisico con superfici collegate a terra, come tubi, radiatori, forni e frigoriferi.** Se il corpo dell'utilizzatore è collegato a terra, il rischio di scosse elettriche aumenta.
- Non esporre gli elettro utensili alla pioggia o all'umidità.** Se penetra dell'acqua all'interno dell'elettro utensile, il rischio di scosse elettriche aumenta.
- Non utilizzare il cavo di alimentazione in modo improprio. Non utilizzare mai il cavo per spostare, tirare o scollegare l'elettro utensile.**

Tenere il cavo di alimentazione lontano da fonti di calore, olio, bordi taglienti o parti in movimento.

Se il cavo di alimentazione è danneggiato o impigliato, il rischio di scosse elettriche aumenta.

- e. **Se l'elettrotensile viene utilizzato all'aperto, usare esclusivamente prolunghe omologate per l'impiego all'esterno.** L'uso di un cavo di alimentazione adatto ad ambienti esterni riduce il rischio di scossa elettrica.
- f. **Se non è possibile evitare di lavorare in una zona umida, collegarsi a una rete elettrica protetta da un interruttore differenziale (RCD).** L'uso di un interruttore differenziale riduce il rischio di scosse elettriche.

3. Sicurezza delle persone

- a. **È importante concentrarsi su ciò che si sta facendo e maneggiare con giudizio l'elettrotensile. Non utilizzare un elettrotensile quando si è stanchi o sotto l'effetto di droghe, alcool o medicinali.** Un solo attimo di distrazione durante l'uso dell'elettrotensile potrebbe provocare gravi lesioni personali.
- b. **Usare dispositivi di protezione individuale. Indossare dispositivi di protezione per gli occhi.** L'uso di dispositivi di protezione, quali mascherine antipolvere, scarpe antinfortunistiche antiscivolo, elmetti o protezioni auricolari in condizioni opportune consente di ridurre le lesioni personali.
- c. **Impedire l'avviamento involontario. Accertarsi che l'interruttore di accensione/spengimento sia nella posizione di spegnimento, prima di collegare l'elettrotensile alla rete elettrica e/o alla batteria, di prenderlo in mano o di trasportarlo.** Per non esporsi al rischio di incidenti, non trasportare l'elettrotensile tenendo le dita sull'interruttore di accensione e non collegarlo a una fonte di alimentazione elettrica con l'interruttore acceso.
- d. **Prima di accendere un elettrotensile, rimuovere gli eventuali utensili o chiavi di regolazione.** Un utensile di regolazione o una chiave inseriti su una parte rotante dell'elettrotensile può provocare lesioni alle persone.
- e. **Non sbilanciarsi. Mantenere sempre un appoggio e un equilibrio adeguati.** In tal modo è possibile controllare meglio l'elettrotensile nelle situazioni impreviste.
- f. **Vestirsi in maniera opportuna. Non indossare abiti lenti o gioielli. Tenere i capelli, i vestiti e i guanti lontano dalle parti mobili.** Indumenti larghi, gioielli o capelli lunghi possono impigliarsi nelle parti in movimento.
- g. **Se gli elettrotensili sono provvisti di attacchi per il collegamento di dispositivi di aspirazione o di raccolta della polvere, assicurarsi che questi ultimi siano installati e utilizzati correttamente.** L'impiego di dispositivi per la raccolta della polvere può ridurre i pericoli legati a queste ultime.

4. Uso e cura dell'elettrotensile

- a. **Non sovraccaricare l'elettrotensile. Utilizzare l'elettrotensile adatto per il lavoro da eseguire.** L'elettrotensile corretto funziona meglio e in modo più sicuro se viene utilizzato alla velocità per cui è stato progettato.
- b. **Non utilizzare l'elettrotensile se l'interruttore di accensione/spengimento è difettoso.** Qualsiasi elettrotensile che non possa essere controllato tramite l'interruttore è pericoloso e deve essere riparato.
- c. **Scollegare la spina dalla presa di corrente e/o la batteria dall'elettrotensile prima di regolarlo, sostituirne gli accessori o riporlo in magazzino.** Queste misure di sicurezza preventive riducono il rischio di azionare accidentalmente l'elettrotensile.
- d. **Quando non vengono usati, gli elettrotensili devono essere custoditi fuori dalla portata dei bambini. Non consentire l'uso dell'elettrotensile a persone inesperte o che non abbiano letto le presenti istruzioni d'uso.** Gli elettrotensili sono pericolosi in mano a persone inesperte.
- e. **Sottoporre gli elettrotensili a regolare manutenzione. Verificare che le parti mobili siano correttamente allineate e non inceppate, che non vi siano componenti rotti e che non sussistano altre condizioni che possono compromettere il funzionamento dell'elettrotensile. Se danneggiato, far riparare l'elettrotensile prima dell'uso.** Molti incidenti sono provocati da elettrotensili non sottoposti a corretta manutenzione.
- f. **Mantenere affilati e puliti gli utensili da taglio.** La manutenzione corretta degli utensili da taglio con bordi affilati riduce le probabilità di inceppamento e ne facilita il controllo.
- g. **Utilizzare l'elettrotensile, gli accessori, le punte, ecc. in conformità alle presenti istruzioni, tenendo conto delle condizioni operative e del lavoro da eseguire.** L'utilizzo dell'elettrotensile per impieghi diversi da quelli previsti può dare luogo a situazioni di pericolo.

5. Assistenza

- a. **Fare riparare l'elettrotensile esclusivamente da personale specializzato e solo utilizzando pezzi di ricambio originali.** In questo modo sarà possibile mantenere la sicurezza dell'elettrotensile.

Ulteriori avvertenze di sicurezza riguardanti l'elettrotensile



Avvertenza! Avvertenze di sicurezza comuni aggiuntive per operazioni di smerigliatura, carteggiatura, spazzolatura metallica o taglio abrasivo:

- ◆ **Questo elettroutensile è stato progettato per funzionare come smerigliatrice, levigatrice, spazzola in acciaio, lucidatrice o utensile da taglio. Leggere attentamente tutte le avvertenze, istruzioni, illustrazioni e specifiche fornite con l'elettroutensile.** La mancata osservanza delle istruzioni seguenti può dar luogo a scosse elettriche, incendi e/o lesioni gravi.
- ◆ **L'esecuzione di lavorazioni per le quali l'elettroutensile non è stato progettato comporta dei rischi e può causare lesioni personali.**
- ◆ **Non usare accessori che non sono stati progettati e consigliati in modo specifico dal fabbricante dell'elettroutensile.** Anche se un accessorio può essere collegato all'elettroutensile, questo fatto non ne garantisce la sicurezza di utilizzo.
- ◆ **La velocità nominale dell'accessorio deve essere almeno pari a quella massima riportata sull'elettroutensile.** Gli accessori fatti funzionare a una velocità superiore rispetto a quella nominale possono rompersi e disintegrarsi.
- ◆ **Il diametro esterno e lo spessore dell'accessorio devono rientrare nel valore della capacità nominale dell'elettroutensile.** Gli accessori di misura sbagliata non possono essere protetti o controllati in modo adeguato.
- ◆ **L'attacco filettato degli accessori deve corrispondere alla filettatura dell'alberino della smerigliatrice. Per gli accessori montati tramite flange, il foro dell'albero dell'accessorio deve corrispondere al diametro di posizionamento della flangia.** Gli accessori che non corrispondono alla struttura di montaggio dell'elettroutensile non mantengono l'equilibrio, vibrano eccessivamente e possono causare la perdita di controllo.
- ◆ **Non usare accessori danneggiati.** Prima di ogni utilizzo controllare gli accessori affinché sui dischi abrasivi non vi siano scheggiature e lesioni, non siano presenti crepe o segni eccessivi di usura sul platello, e le spazzole metalliche non abbiano filamenti metallici staccati o spezzati. Se l'elettroutensile o l'accessorio è caduto, verificare eventuali danni o installare un accessorio non danneggiato. Dopo aver ispezionato e installato un accessorio, far funzionare l'elettroutensile alla velocità massima a vuoto per un minuto. Gli accessori danneggiati normalmente si rompono durante questa fase di verifica.
- ◆ **Indossare dispositivi di protezione individuali. A seconda delle lavorazioni, utilizzare una maschera o occhiali di protezione. Se opportuno, indossare una mascherina antipolvere, protezioni acustiche, guanti e un grembiule da lavoro in grado di arrestare frammenti abrasivi o di lavorazione di piccole dimensioni.**

La protezione oculare deve impedire a detriti volanti generati dalle varie lavorazioni di raggiungere gli occhi. La mascherina antipolvere o il respiratore devono essere in grado di filtrare le particelle generate dall'operazione eseguita. L'esposizione prolungata a rumori di alta intensità può causare la perdita dell'udito.

- ◆ **Mantenere le altre persone presenti a distanza di sicurezza dall'area di lavoro. Chiunque acceda alla zona di lavoro deve indossare abbigliamento di protezione adeguato.** Frammenti del pezzo da lavorare o di un accessorio rotto possono volare via e causare lesioni al di là dell'immediata area di lavoro.
- ◆ **Tenere l'elettroutensile afferrando le superfici di presa isolate, se si sta eseguendo un'operazione dove esiste la possibilità che l'accessorio di taglio possa venire a contatto di cavi nascosti o del filo di alimentazione.** Se un accessorio di taglio dovesse vengono a contatto con un cavo sotto tensione, trasmetterebbe la corrente elettrica anche alle parti metalliche esposte dell'elettroutensile, con il pericolo di provocare la folgorazione dell'utilizzatore.
- ◆ **Usare morse o altri metodi pratici per fissare e bloccare il pezzo da lavorare ad una piattaforma stabile.** Tenere il pezzo in lavorazione con le mani o contro il corpo non ne assicura la stabilità e potrebbe comportare la perdita di controllo.
- ◆ **Posizionare il filo di alimentazione lontano dall'accessorio rotante.** In caso di perdita di controllo, il cavo può essere tagliato o impigliato e potrebbe avere una forza tale da trascinare la mano o il braccio dell'operatore verso l'accessorio rotante.
- ◆ **Non appoggiare mai un elettroutensile prima che sia totalmente fermato.** L'accessorio rotante potrebbe fare presa sulla superficie e trascinare l'elettroutensile facendone perdere il controllo.
- ◆ **Non azionare l'elettroutensile mentre lo si trasporta tenendolo lungo il fianco.** Un contatto accidentale con l'accessorio rotante può farlo impigliare ai vestiti e trascinarlo verso il corpo dell'operatore.
- ◆ **Pulire regolarmente gli sfiiati dell'aria dell'elettroutensile.** La ventola del motore può attirare la polvere all'interno dell'alloggiamento e l'accumulo eccessivo di metallo polverizzato può causare pericoli elettrici.
- ◆ **Non utilizzare l'elettroutensile in prossimità di materiali infiammabili.** Le scintille potrebbero incendiare i materiali.
- ◆ **Non utilizzare accessori che richiedono liquidi refrigeranti.** L'utilizzo di acqua o altri liquidi refrigeranti può provocare elettrocuzione o scosse elettriche.

Nota: Il suddetto avviso non è inteso per gli elettroutensili progettati in modo specifico per essere usati con un impianto a base di liquido.

Contraccolpi e avvisi in merito

Il rimbalzo è una reazione improvvisa provocata dal disco, dal platorello, dalla spazzola o da qualsiasi altro accessorio in rotazione che si inceppi o rimanga impigliato. L'inceppamento o l'impigliamento causano il bloccaggio rapido dell'accessorio che ruota, il quale, a sua volta, spinge l'elettrotensile, non più controllato, in direzione opposta a quella di rotazione dell'accessorio nel punto in cui era rimasto inceppato.

Ad esempio, se un disco abrasivo è impigliato o pinzato dal pezzo da lavorare, il bordo del disco penetrato nel punto pinzato può scavare nel materiale e causare lo scavalcamento o il rimbalzo del disco. Il disco potrebbe saltare verso l'operatore, o dalla parte opposta, a seconda della direzione del movimento del disco nel punto di inceppamento. In queste condizioni è possibile che i dischi abrasivi si rompano.

Un contraccolpo è la conseguenza di un utilizzo non appropriato oppure non corretto dell'elettrotensile. Esso può essere evitato soltanto adottando le misure di sicurezza idonee come descritto di seguito.

- ◆ **Mantenere una presa salda sull'elettrotensile e posizionare il corpo e il braccio in un modo tale da poter resistere alle forze del contraccolpo. Usare sempre l'impugnatura ausiliaria, se presente, per avere il massimo controllo in caso di contraccolpi o di reazione di coppia all'avviamento.** L'operatore è in grado di resistere alla forza esercitata da eventuali reazioni di coppia o contraccolpi se adotta le misure del caso.
- ◆ **Non appoggiare mai la mano vicino all'accessorio rotante.** L'accessorio potrebbe rimbalzare sulle mani dell'operatore.
- ◆ **Non posizionare il corpo nella zona verso la quale l'elettrotensile potrebbe spostarsi in caso di contraccolpo.** Il contraccolpo potrebbe lanciare l'elettrotensile nella direzione opposta a quella di rotazione del disco nel momento in cui si incastra.
- ◆ **Prestare particolare quando si lavora negli angoli, su bordi aguzzi e così via, evitando di far saltellare e di incastrare l'accessorio.** Angoli, estremità appuntite o rimbalzi tendono a fare impigliare l'accessorio rotante e a causare la perdita di controllo o il rimbalzo dell'elettrotensile.
- ◆ **Non montare una catena da sega, una lama da intaglio o una lama di sega dentata.** Queste lame creano rimbalzi e perdita di controllo frequenti.

Avvisi di sicurezza specifici per le operazioni di smerigliatura e di taglio con abrasivo

- ◆ **Usare solo dischi di tipo consigliato per l'elettrotensile in oggetto e protezioni anch'esse progettate in modo specifico per il disco selezionato.**

I dischi non omologati per quell'elettrotensile non possono essere protetti adeguatamente e non sono sicuri.

- ◆ **La superficie di smerigliatura dei dischi con centro concavo deve essere montata al di sotto del piano del labbro della protezione.** Non è possibile fornire una protezione adeguata a un disco non montato correttamente che sporge attraverso il piano della linguetta di protezione.
- ◆ **La protezione deve essere fissata saldamente sull'elettrotensile e deve essere posizionata in modo tale da garantire la massima sicurezza, con una quantità minima di disco esposto verso l'utilizzatore.** La protezione serve per proteggere l'utilizzatore da frammenti di dischi spezzati, da un contatto accidentale con il disco e dalle scintille che potrebbero incendiare gli indumenti.
- ◆ **I dischi devono essere usati solo per le applicazioni consigliate. Per esempio: non molare con il fianco di un disco da taglio.** I dischi da taglio abrasivi sono progettati per la smerigliatura periferica. Forze laterali applicate a questi dischi potrebbero causarne la frantumazione.
- ◆ **Usare sempre flange di dischi non danneggiate, di misura e forma corrette per il disco selezionato.** Se le flange sono appropriate, supportano il disco e ne riducono la possibilità di rottura. Le flange per dischi da taglio possono differire dalle flange per dischi abrasivi.
- ◆ **Non usare dischi usurati che erano appartenuti a elettrotensili di maggiori dimensioni.** I dischi progettati per utensili più potenti non sono adatti alle maggiori velocità degli apparecchi più piccoli e si possono spaccare.

Avvertenze di sicurezza aggiuntive specifiche per le operazioni di taglio con disco abrasivo

- ◆ **Non fare inceppare il disco da taglio e non esercitare una pressione eccessiva. Non tentare di eseguire tagli troppo profondi.** Una sollecitazione eccessiva del disco aumenta il carico e la suscettibilità del disco stesso a piegarsi o a incepparsi nel taglio con la possibilità di contraccolpi o di rottura del disco.
- ◆ **Non posizionare il corpo in linea con il disco mentre gira e neppure dietro di esso.** Quando il disco si muove nella direzione di allontanamento dal corpo, il possibile rimbalzo potrebbe spingere il disco in rotazione e l'utensile proprio verso l'utilizzatore.
- ◆ **Se il disco si inceppa, oppure quando, per una qualsiasi ragione, si interrompe l'operazione di taglio, spegnere l'elettrotensile e tenerlo fermo nel pezzo in lavorazione, fino a quando il disco si arresta completamente. Non tentare mai di rimuovere il disco da taglio mentre è in movimento, altrimenti può rimbalzare.**

Esaminare e prendere azioni correttive per eliminare le cause che incepano il disco.

- ◆ **Non riprendere l'operazione di taglio con il disco nel pezzo. Far raggiungere la massima velocità al disco e poi rientrare con attenzione nel taglio.** Il disco potrebbe incepparsi, scavalcare o rimbalzare se l'elettrotensile viene riavviato quando si trova ancora nel pezzo in lavorazione.
- ◆ **Sorreggere i pannelli o i pezzi di grandi dimensioni per contenere al massimo il rischio che il disco si inceppi e causi un contraccolpo.** I pezzi più grandi tendono a incurvarsi sotto il loro stesso peso. Devono essere collocati dei supporti sotto al pezzo da entrambi i lati, vicino la linea di taglio e alle estremità del pannello, da entrambi i lati del disco.
- ◆ **Prestare una maggiore attenzione quando si pratica un "taglio di cavità" in pareti esistenti o in altre zone con scarsa visibilità.** La parte sporgente del disco può tagliare tubi del gas o dell'acqua, cavi elettrici o anche oggetti che possono provocare il rimbalzo.

Avvertenze di sicurezza specifiche per le operazioni di levigatura

- ◆ **Non usare carta abrasiva sovradimensionata rispetto ai dischi per levigatura. Seguire i consigli del fabbricante quando si sceglie la carta vetrata.** Una carta vetrata che sporga oltre il platorello di sabbiatura presenta il rischio di lacerazioni e può restare impigliata, strappare il disco o rimbalzare.

Avvisi di sicurezza specifici per le operazioni con la spazzola in acciaio

- ◆ **Essere consapevoli del fatto che la spazzola potrebbe far volare via i fili in acciaio perfino durante il funzionamento normale. Non sforzare le setole con un eccessivo carico sulle spazzola.** Le setole metalliche penetrano facilmente gli abiti leggeri e/o la pelle.
- ◆ **Se è consigliato l'uso di una protezione per la spazzolatura con spazzola in acciaio, non lasciare che la spazzola o il disco in acciaio vengano a contatto della protezione.** Il diametro del disco o della spazzola in acciaio potrebbe aumentare a causa del carico di lavoro e delle forze centrifughe.

Sicurezza altrui

- ◆ Questo elettrotensile non è destinato all'uso da parte di persone (compresi i bambini) con capacità fisiche, sensoriali o mentali ridotte, o prive di esperienza e conoscenze, salvo che non siano sottoposte a sorveglianza o ricevano istruzioni riguardo all'uso dell'elettrotensile da parte di una persona responsabile della loro sicurezza.

- ◆ Controllare che i bambini non giochino con l'elettrotensile.

Rischi residui

L'utilizzo dell'apparecchio può comportare rischi residui non necessariamente riportati nelle presenti avvertenze di sicurezza.

Tali rischi possono sorgere a seguito di un uso prolungato o improprio, ecc.

Malgrado il rispetto delle norme di sicurezza pertinenti e l'implementazione di dispositivi di sicurezza, alcuni rischi residui non possono essere evitati. Sono inclusi:

- ◆ lesioni causate o subite a seguito del contatto con parti rotanti/in movimento;
- ◆ lesioni causate o subite durante la sostituzione di parti, lame o accessori;
- ◆ lesioni causate dall'impiego prolungato di un elettrotensile (quando si utilizza qualsiasi apparecchio per lunghi periodi, accertarsi di fare regolarmente delle pause);
- ◆ menomazioni uditive;
- ◆ rischi per la salute causati dall'aspirazione di polvere generata dall'utilizzo dell'elettrotensile (ad esempio, quando si lavora con il legno, in modo particolare quello di quercia, faggio o l'MDF).

Vibrazioni

I valori dichiarati delle emissioni di vibrazioni al capitolo "Dati tecnici" e nella Dichiarazione di conformità del presente manuale sono stati misurati in base al metodo di test standard previsto dalla normativa EN 60745 e possono essere usati come parametri di confronto tra due utensili. Il valore delle emissioni di vibrazioni dichiarato può anche essere usato come valutazione preliminare dell'esposizione.

Avvertenza! Il valore delle emissioni di vibrazioni durante l'impiego effettivo dell'elettrotensile può variare da quello dichiarato a seconda delle modalità d'uso. Il livello delle vibrazioni può aumentare oltre quello dichiarato.

Quando si valuta l'esposizione alle vibrazioni per determinare le misure di sicurezza richieste dalla normativa 2002/44/CE destinata alla protezione delle persone che utilizzano regolarmente elettrotensili per lo svolgimento delle proprie mansioni, è necessario prendere in considerazione le condizioni effettive di utilizzo e il modo in cui l'elettrotensile viene usato, oltre che tenere conto di tutte le componenti del ciclo operativo, vale a dire i periodi in cui l'elettrotensile rimane spento, quelli in cui è acceso ma fermo e quelli in cui viene effettivamente utilizzato.

Etichette sull'elettrotensile

Sull'elettrotensile compaiono i seguenti pittogrammi:



Avvertenza! Per ridurre il rischio di lesioni alle persone, l'utilizzatore deve leggere il manuale d'istruzioni.



Indossare occhiali di sicurezza quando si usa l'elettrotensile.



Indossare otoprotezioni quando si usa l'elettrotensile.

Sicurezza elettrica



Il doppio isolamento di cui è provvisto il caricabatterie rende superfluo il filo di terra. Controllare sempre che la tensione di rete corrisponda a quella indicata sulla targhetta dei valori nominali.

- ◆ In caso di danneggiamento del cavo di alimentazione, farlo sostituire dal produttore o presso un Centro di assistenza BLACK+DECKER autorizzato, in modo da evitare pericoli.

Caduta di tensione

Le correnti di punta causano brevi cadute di tensione. Se le condizioni in cui l'alimentazione elettrica è erogata sono sfavorevoli, ciò potrebbe influire su altre attrezzature.

Se l'impedenza massima dell'alimentazione di rete è inferiore a 0,107 Ω, è improbabile che si verifichino dei disturbi.

Caratteristiche

Questo utensile presenta alcune o tutte le seguenti caratteristiche.

1. Interruttore di accensione/spengimento
2. Blocco dell'alberino
3. Protezione
4. Impugnatura laterale

Assemblaggio

Avvertenza! Prima di assemblare l'elettrotensile, assicurarsi che sia spento e scollegato dalla presa di corrente.

Montaggio e rimozione della batteria (Figg. A1 e A2)

L'elettrotensile è dotato di protezione adatta solo alle operazioni di smerigliatura (tipo 27). Se deve invece essere usato per il taglio, è necessario montare una protezione specifica, idonea a tale operazione (tipo 41). È possibile acquistare una protezione idonea con codice pezzo N642463 (per un disco da taglio di 115 mm) presso un qualsiasi centro di assistenza BLACK+DECKER.

- ◆ Appoggiare l'elettrotensile su di un tavolo, con l'alberino (5) rivolto verso l'alto.
- ◆ Allineare le linguette (7) alle tacche (8).
- ◆ Premere la protezione verso il basso e ruotarla in senso antiorario fino alla posizione richiesta.

- ◆ Serrare la vite (6) per fissare la protezione.

Rimozione

- ◆ Allentare la vite (6).
- ◆ Ruotare la protezione in senso orario per allineare le linguette (7) alle tacche (8).
- ◆ Rimuovere la protezione dall'elettrotensile.

Avvertenza! Non usare mai l'elettrotensile senza la protezione.

Montaggio dell'impugnatura laterale

- ◆ Avvitare l'impugnatura laterale (4) in uno dei fori di fissaggio nell'elettrotensile.

Avvertenza! Usare sempre l'impugnatura laterale.

Montaggio e rimozione dei dischi di smerigliatura (Figg. B - D)

Usare sempre il corretto tipo di disco per l'applicazione. Usare sempre dischi con diametro e alesaggio di misura corretta (vedere i Dati tecnici).

Montaggio

- ◆ Montare la protezione come descritto qui sopra.
- ◆ Appoggiare la flangia interna (10) sull'alberino (5) come illustrato (Fig. B). Verificare che la flangia sia correttamente situata sui lati piatti dell'alberino.
- ◆ Appoggiare il disco (11) sull'alberino (5) come illustrato (Fig. B). Se il disco ha un centro convesso (12), accertarsi che sia rivolto verso la flangia interna.
- ◆ Verificare che il disco si centri correttamente sulla flangia interna.
- ◆ Appoggiare la flangia esterna (13) sull'alberino. Quando si monta un disco di smerigliatura, il centro sollevato sulla flangia esterna deve essere rivolto verso il disco (A nella Fig. C). Quando si monta un disco di taglio, il centro sollevato sulla flangia esterna deve essere rivolto dalla parte opposta al disco (B nella Fig. C).
- ◆ Tenere premuto il blocco dell'alberino (2) e serrare la flangia esterna usando la chiave a due perni (14) (Fig. D).

Rimozione

- ◆ Tenere premuto il blocco dell'alberino (2) e allentare la flangia esterna (13) usando la chiave a due perni (14) (Fig. D).
- ◆ Rimuovere la flangia esterna (13) e il disco (11).

Smerigliatura superficiale con i dischi per smerigliatura

- ◆ Far raggiungere la massima velocità all'elettrotensile prima di toccare la superficie da lavorare.
- ◆ Applicare una minima pressione sulla superficie di lavoro, lasciando funzionare l'elettrotensile ad alta velocità.

La velocità di smerigliatura è al massimo quando l'elettrotensile funziona ad alta velocità.

- ◆ Mantenere un angolo di 20° - 30° tra l'elettrotensile e la superficie di lavoro, come mostrato nella Figura F.
- ◆ Spostare continuamente l'elettrotensile avanti e indietro per evitare la formazione di irregolarità nella superficie di lavoro.
- ◆ Rimuovere l'elettrotensile dalla superficie del pezzo in lavorazione prima di spegnerlo. Attendere che la rotazione dell'elettrotensile si arresti prima di appoggiarlo.

Smerigliatura dei bordi con dischi per smerigliatura

I dischi usati per il taglio e la smerigliatura dei bordi potrebbero rompersi o dare dei contraccolpi se si piegano o ruotano durante il taglio o la smerigliatura in profondità. La smerigliatura/taglio dei bordi con un disco di Tipo 27 devono essere limitati a un taglio superficiale e intaglio, a meno di 13 mm di profondità quando il disco è nuovo. Ridurre la profondità del taglio/intaglio pari alla riduzione del raggio del disco via via che aumenta l'usura. Consultare la "Tabella degli accessori di smerigliatura e taglio" al termine di questo manuale per ulteriori informazioni. La smerigliatura// taglio dei bordi con un disco di Tipo 41 richiede l'utilizzo di una protezione di Tipo 41.

- ◆ Far raggiungere la massima velocità all'elettrotensile prima di toccare la superficie da lavorare.
- ◆ Applicare una minima pressione sulla superficie di lavoro, lasciando funzionare l'elettrotensile ad alta velocità. La velocità di smerigliatura è al massimo quando l'elettrotensile funziona ad alta velocità.
- ◆ Posizionarsi in modo che il lato inferiore scoperto del disco non sia rivolto verso di sé.
- ◆ Una volta che si è iniziato un taglio e creato un intaglio nel pezzo, non cambiare l'angolazione del taglio. Un cambio dell'angolazione di taglio potrebbe far piegare il disco causandone la rottura.

I dischi per la smerigliatura dei bordi non sono progettati per resistere alle pressioni laterali causate dalla piegatura.

- ◆ Rimuovere l'elettrotensile dalla superficie in lavorazione prima di spegnerlo. Attendere che la rotazione dell'elettrotensile si arresti prima di appoggiarlo.

Avvertenza! Non usare i dischi per la smerigliatura dei bordi/dischi da taglio per le applicazioni di smerigliatura superficiale, se sull'etichetta di tali dischi è indicato che tali applicazioni sono vietate, in quanto essi non sono progettati per le pressioni laterali riscontrate con la smerigliatura in superficie. Potrebbero verificarsi la rottura del disco e gravi lesioni personali.

Montaggio e rimozione dei dischi di levigatura (Figg. D ed E)

Per la levigatura, è necessario usare un tampone di rinforzo.

Tale tampone di rinforzo è reperibile quale accessorio presso il rivenditore BLACK+DECKER di zona.

Montaggio

- ◆ Appoggiare la flangia interna (10) sull'alberino (5) come illustrato (Fig. E). Verificare che la flangia sia correttamente situata sui lati piatti dell'alberino.
- ◆ Infilare il tampone di rinforzo (15) sull'alberino.
- ◆ Posizionare il disco di levigatura (16) sul tampone di rinforzo.
- ◆ Appoggiare la flangia esterna (13) sull'alberino con il centro sollevato rivolto dalla parte opposta al disco.
- ◆ Tenere premuto il blocco dell'alberino (2) e serrare la flangia esterna usando la chiave a due perni (14) (Fig. D). Verificare che la flangia esterna sia montata correttamente e che il disco sia serrato saldamente.

Rimozione

- ◆ Tenere premuto il blocco dell'alberino (2) e allentare la flangia esterna (13) usando la chiave a due perni (14) (Fig. D).
- ◆ Smontare la flangia esterna (13), il disco di levigatura (16) e il tampone di rinforzo (15).

Finitura delle superficie con dischi per levigatura

- ◆ Far raggiungere la massima velocità all'elettrotensile prima di toccare la superficie da lavorare.
- ◆ Applicare una minima pressione sulla superficie in lavorazione, lasciando funzionare l'elettrotensile ad alta velocità. La velocità di levigatura è al massimo quando l'elettrotensile funziona ad alta velocità.
- ◆ Mantenere un angolo di 5° - 10° tra l'elettrotensile e la superficie di lavoro, come mostrato nella Figura G.
- ◆ Spostare continuamente l'elettrotensile avanti e indietro per evitare la formazione di irregolarità nella superficie di lavoro.
- ◆ Rimuovere l'elettrotensile dalla superficie del pezzo in lavorazione prima di spegnerlo. Attendere che la rotazione dell'elettrotensile si arresti prima di appoggiarlo.

Impiego dei tamponi di rinforzo per la levigatura

Scegliere sempre dischi di levigatura con una grana adatta alla propria applicazione. I platorelli sono disponibili in varie grane. Le grane più grosse hanno una velocità di rimozione del materiale superiore e una finitura più grezza. Le grane più fini hanno una velocità di rimozione del materiale inferiore e una finitura più uniforme.

Iniziare con i dischi a grana grossa per una rimozione grezza rapida del materiale. Passare a un disco per carteggiatura a grana media e finire con uno a grana fine per una finitura ottimale.

- ◆ Grana grossa = 16 - 30.
- ◆ Grana media = 36 - 80.

- ◆ Grana per finitura fine = 100 - 120.
- ◆ Grana per finitura molto fine = 150 - 180.
- ◆ Far raggiungere la massima velocità all'elettrotensile prima di toccare la superficie in lavorazione.
- ◆ Applicare una minima pressione sulla superficie in lavorazione, lasciando funzionare l'elettrotensile ad alta velocità. La velocità di levigatura è al massimo quando l'elettrotensile funziona ad alta velocità.
- ◆ Mantenere un angolo di 5° - 10° tra l'elettrotensile e la superficie di lavoro, come mostrato in figura H. Il disco di sabbatura deve entrare in contatto con circa 25 mm della superficie di lavoro.
- ◆ Spostare l'elettrotensile costantemente in linea retta per impedire lasciare segni di bruciatura e impronte circolari sulla superficie di lavoro. Se l'elettrotensile viene lasciato appoggiato sulla superficie di lavoro senza spostarlo, o se esso viene spostato compiendo un movimento circolare, è possibile che vengano lasciati segni di bruciatura e impronte circolari sulla superficie di lavoro.
- ◆ Rimuovere l'elettrotensile dalla superficie del pezzo in lavorazione prima di spegnerlo. Attendere che la rotazione dell'elettrotensile si arresti prima di appoggiarlo.

Precauzioni da prendere durante la carteggiatura di superfici verniciate

- ◆ La carteggiatura di vernici a base di piombo **NON È CONSIGLIATA** per via delle difficoltà che presenta il controllo delle polveri contaminate. I bambini e le donne in stato interessante sono i soggetti più a rischio di avvelenamento da piombo.
- ◆ Siccome è difficile determinare se una vernice contiene piombo senza un'analisi chimica, consigliamo di attenersi alle seguenti precauzioni per la levigatura di superfici verniciate:
 - ◆ Laddove vengano effettuate operazioni di levigatura di vernici, non consentire l'accesso all'area di lavoro a bambini e donne in stato interessante finché tutte le operazioni di pulizia non saranno completate.
 - ◆ Tutte le persone che entrano nell'area di lavoro devono indossare una maschera anti-polvere o un respiratore. Il filtro deve essere sostituito ogni giorno o ogniqualvolta il soggetto presenti difficoltà respiratorie.

Nota: è necessario utilizzare esclusivamente maschere anti-polvere adatte per la lavorazione con le polveri e i fumi delle vernici a base di piombo. Le normali maschere per vernici non offrono questa protezione. Consultare il proprio rivenditore locale per una protezione delle vie respiratorie adeguata.

- ◆ **NON MANGIARE, BERE o FUMARE** nell'area di lavoro per impedire l'ingestione di particelle di vernice contaminata. Gli operai devono lavarsi e cambiarsi PRIMA di mangiare, bere o fumare.

Non lasciare residui di cibi, bevande o fumo nell'area di lavoro, dove è possibile che si accumulino la polvere.

- ◆ La vernice deve essere rimossa in modo tale da ridurre al minimo la quantità di polvere generata.
- ◆ Le aree dove vengono effettuate operazioni di asportazione della vernice devono essere sigillate con rivestimenti in plastica dello spessore di 4 mm.
- ◆ La carteggiatura deve essere eseguita in modo tale da ridurre le tracce di polvere di vernice al di fuori dell'area di lavoro.
- ◆ È necessario aspirare e pulire accuratamente ogni giorno tutte le superfici nell'area di lavoro per tutta la durata del progetto di levigatura. I sacchetti del filtro dell'aspirapolvere devono essere cambiati regolarmente.
- ◆ Gli stracci utilizzati durante la lavorazione devono essere raccolti e smaltiti insieme ai residui della polvere o a qualsiasi altro detrito prodotto dall'asportazione. Tali residui devono essere riposti in contenitori di scarto sigillati e smaltiti tramite le regolari procedure di raccolta dei rifiuti. Durante le operazioni di pulizia, è necessario tenere i bambini e le donne in stato interessante lontano dall'area di lavoro.
- ◆ Tutti i giocattoli, i mobili lavabili e gli utensili utilizzati dai bambini devono essere lavati accuratamente prima di essere riutilizzati.

Montaggio e utilizzo di spazzole e dischi a spazzola metallici

Le spazzole a tazza o i dischi a spazzola metallici si avvitano direttamente sull'alberino della smerigliatrice senza l'utilizzo di flange. b. Una protezione di Tipo 27 è necessaria quando si utilizzano spazzole e dischi a spazzola metallici. Indossare guanti di protezione quando si maneggiano spazzole e dischi a spazzola metallici. Possono essere affilate. Il disco o la spazzola non deve toccare la protezione una volta montata o durante l'uso. Ne potrebbero conseguire danni non visibili all'accessorio, causando la frattura delle parti metalliche dal disco o dalla tazza.

- ◆ Filettare il disco sull'alberino manualmente.
- ◆ Premere il tasto di blocco dell'alberino e utilizzare una chiave sul mozzo del disco o della spazzola metallici per serrare il disco.
- ◆ Per rimuovere il disco, invertire la procedura descritta sopra.

Avvertenza! Il mancato posizionamento corretto del mozzo del disco prima dell'accensione dell'elettrotensile può provocare danni allo stesso o al disco. I dischi a spazzola e le spazzole vengono utilizzate per la rimozione di ruggine, incrostazioni e vernice, e per levigare le superfici irregolari.

Nota: durante la sverniciatura con spazzola in acciaio, adottare le medesime precauzioni osservate per la levigatura della vernice.

- ◆ Far raggiungere la massima velocità all'elettrotoutensile prima di toccare la superficie da lavorare.
- ◆ Applicare una minima pressione sulla superficie in lavorazione, lasciando funzionare l'elettrotoutensile ad alta velocità. La velocità di rimozione del materiale è al massimo quando l'elettrotoutensile funziona ad alta velocità.
- ◆ Quando si usano le spazzole a tazza in acciaio, mantenere un angolo di 5° - 10° tra l'elettrotoutensile e la superficie di lavoro, come mostrato nella Figura I.
- ◆ Mantenere il contatto tra il bordo del disco e la superficie in lavorazione con i dischi a spazzola.
- ◆ Spostare continuamente l'elettrotoutensile avanti e indietro per evitare la formazione di irregolarità nella superficie di lavoro.

Se l'elettrotoutensile viene lasciato appoggiato sulla superficie di lavoro senza spostarlo, o se esso viene spostato compiendo un movimento circolare, è possibile che vengano lasciati segni di bruciatura e impronte circolari sulla superficie di lavoro.

- ◆ Rimuovere l'elettrotoutensile dalla superficie in lavorazione prima di spegnerlo. Attendere che la rotazione dell'elettrotoutensile si arresti prima di appoggiarlo.

Avvertenza! Prestare particolare attenzione durante la lavorazione su un bordo, siccome è possibile che si verifichi un movimento brusco improvviso della smerigliatrice.

Montaggio e uso dei dischi da taglio (Tipo 41)

I dischi da taglio comprendono dischi diamantati e dischi abrasivi. Sono disponibili dischi da taglio abrasivi per l'uso su metallo e calcestruzzo. È possibile utilizzare anche lame diamantate per il taglio del calcestruzzo.

NOTA: durante l'utilizzo dei dischi da taglio è necessario installare una protezione del disco chiusa e bilaterale di Tipo 41, venduta separatamente. Il mancato utilizzo della flangia e della protezione corrette può provocare lesioni risultanti dalla rottura e dal contatto con il disco. Per i dischi da taglio è necessario utilizzare una flangia di sostegno e un dado di serraggio filettato di diametro corrispondente (in dotazione con l'elettrotoutensile).

Montaggio della protezione chiusa (Tipo 41) (Figg. J, K)

- ◆ Allineare le linguette sulla protezione alle tre scanalature sul mozzo. Così facendo, le alette saranno allineate alle fessure sul coperchio della scatola del cambio, come mostrato in figura J.
- ◆ Premere la protezione verso il basso finché l'aletta della protezione non si innesta e ruota liberamente nella scanalatura sul mozzo della scatola del cambio.
- ◆ Ruotare la protezione in senso antiorario per bloccarla in posizione.

Il corpo della protezione deve essere posizionato tra l'alberino e l'operatore per fornire la massima protezione dell'operatore.

- ◆ Serrare le vite del dispositivo di chiusura della protezione per fissare la protezione sul coperchio dell'alloggiamento ingranaggio. Dovrebbe risultare impossibile ruotare la protezione manualmente. Non azionare la smerigliatrice con una protezione allentata.
- ◆ Per rimuovere la protezione, allentare le vite del dispositivo di chiusura della protezione. Quindi ruotare la protezione in modo tale che le tre linguette sulla protezione siano allineate alle tre scanalature sul mozzo e tirare in su sulla protezione.

Montaggio dei dischi da taglio

- ◆ Posizionare la flangia di sostegno non filettata sull'alberino con la sezione convessa (pilota) rivolta verso l'alto. La sezione sollevata (pilota) sulla flangia di sostegno sarà appoggiata contro il disco quando quest'ultima viene inserita.
- ◆ Posizionare il disco sulla flangia di sostegno, centrandolo sulla sezione convessa (pilota).
- ◆ Inserire il dado di serraggio filettato con la sezione convessa (pilota) rivolta dalla parte opposta al disco.
- ◆ Premere il tasto di blocco dell'alberino e serrare il dado di serraggio con la chiave in dotazione.
- ◆ Per rimuovere il disco, premere il tasto di blocco dell'alberino e allentare il dado di serraggio filettato con la chiave in dotazione.

Avvertenza! Non usare i dischi per la smerigliatura dei bordi/da taglio per le applicazioni di smerigliatura in superficie poiché essi non sono progettati per le pressioni laterali riscontrate con la smerigliatura in superficie. Potrebbero verificarsi la rottura del disco e lesioni a persone.

- ◆ Far raggiungere la massima velocità all'elettrotoutensile prima di toccare la superficie in lavorazione.
- ◆ Applicare una minima pressione sulla superficie in lavorazione, lasciando funzionare l'elettrotoutensile ad alta velocità. La velocità di taglio è al massimo quando l'elettrotoutensile funziona ad alta velocità.
- ◆ Una volta che si è iniziato un taglio e creato un intaglio nel pezzo, non cambiare l'angolazione del taglio. Un cambio dell'angolazione di taglio potrebbe far piegare il disco causandone la rottura.
- ◆ Rimuovere l'elettrotoutensile dalla superficie del pezzo in lavorazione prima di spegnerlo. Attendere che la rotazione dell'elettrotoutensile si arresti prima di appoggiarlo.

Utilizzo

Avvertenza! Lasciare che l'elettrotoutensile funzioni al proprio ritmo. Non sovraccaricarlo.

- ◆ Stendere con attenzione il cavo per evitare di tagliarlo accidentalmente.

- ◆ Aspettarsi tutta una serie di scintille quando il disco di smerigliatura o di taglio tocca il pezzo.
- ◆ Posizionare sempre l'elettrotensile in modo che la protezione possa proteggere in modo ottimale dal disco di smerigliatura o di taglio.

Accensione e spegnimento

- ◆ Per accendere l'elettrotensile, premere l'interruttore di accensione/spegnimento (1).
- ◆ Per spegnere l'elettrotensile, rilasciare l'interruttore di accensione (1).

Avvertenza! Non spegnere l'elettrotensile quando è sotto carico.

Consigli per un utilizzo ottimale

- ◆ **Tenere saldamente l'elettrotensile con una mano sull'impugnatura laterale e l'altra su quella principale.**
- ◆ Durante la smerigliatura, mantenere sempre un angolo di 15° circa tra il disco e la superficie del pezzo.

Manutenzione

Questo elettrodomestico/elettrotensile BLACK+DECKER, con o senza filo, è stato progettato per funzionare a lungo con una manutenzione minima. Prestazioni sempre soddisfacenti dipendono da una cura appropriata e da una pulizia regolare.

Avvertenza! Prima di eseguire interventi di manutenzione su elettrotensili con o senza filo procedere come descritto di seguito.

- ◆ Spegner e scollegare l'apparecchio/elettrotensile dalla presa di corrente.
- ◆ Oppure spegnere ed estrarre la batteria, se l'apparecchio/elettrotensile è dotato una batteria separata.
- ◆ Oppure scaricare completamente la batteria se è di tipo integrale e quindi spegnerlo.
- ◆ Scollegare il caricabatterie dalla spina prima di pulirlo. Il caricabatterie non richiede alcuna manutenzione, ad eccezione di una regolare pulizia.
- ◆ Pulire regolarmente le prese di ventilazione dell'apparecchio/elettrotensile/alimentatore con un pennello o con un panno morbido e asciutto.
- ◆ Pulire regolarmente il vano del motore con un panno umido. Non usare materiali abrasivi o detergenti a base di solventi.
- ◆ Aprire regolarmente il mandrino e batterlo leggermente per eliminare la polvere dall'interno (se montato).

Sostituzione della spina (solo Regno Unito e Irlanda)

Se dovesse essere necessario installare una nuova spina:

- ◆ smaltire in sicurezza quella vecchia;
- ◆ collegare il filo marrone al morsetto sotto tensione della nuova spina.


- ◆ collegare il filo blu al morsetto neutro.

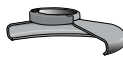
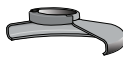


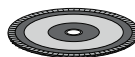

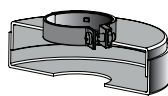
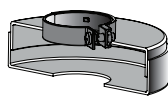






Avvertenza! Non deve essere effettuato alcun collegamento al terminale di messa a terra.
Seguire le istruzioni di montaggio fornite con le spine di buona qualità. Fusibile raccomandato: 13 A.

Ricerca guasti

Problema	Possibile causa	Possibile soluzione
L'unità non si avvia.	Il cavo non è inserito. Il cavo o l'interruttore è danneggiato.	Collegare l'elettrotensile a una presa funzionante. Far sostituire il cavo di alimentazione o l'interruttore presso un centro di assistenza BLACK+DECKER autorizzato.

Tabella degli accessori di smerigliatura e taglio

Mole abrasive	
 Protezione Tipo 27	 Protezione Tipo 27
 Flangia di sostegno non filettata	 Mola con mozzo Tipo 27
 Mola con centro concavo Tipo 27	
 Dado di serraggio filettato	

Dischi lamellari per carteggiatura	
 Protezione Tipo 27	 Protezione Tipo 27
 Disco lamellare per carteggiatura con mozzo	 Flangia di sostegno non filettata
	 Disco lamellare per carteggiatura senza mozzo
	 Dado di serraggio filettato
Mole da taglio Tipo 41	
 Protezione Tipo 41	 Protezione Tipo 41
 Flangia di rinforzo	 Flangia di rinforzo
 Mola da taglio abrasiva	 Mola da taglio diamantata
 Dado di serraggio	 Dado di serraggio

Spazzole in acciaio	
 Protezione Tipo 27	 Protezione Tipo 27
 Spazzola a tazza metallica da 3 pollici	 Spazzola a tazza metallica da 4 pollici
Dischi per carteggiatura	
 Tampone di rinforzo in gomma	
 Dischi per carteggiatura	
 Dado di serraggio filettato	

Protezione dell'ambiente



Raccolta differenziata. I prodotti e le batterie contrassegnate con questo simbolo non devono essere smaltiti con i rifiuti domestici normali.

Prodotti e batterie contengono materiali che possono essere recuperati o riciclati, riducendo la richiesta di materie prime. Riciclare i prodotti elettrici e le batterie attenendosi alle disposizioni locali vigenti. Ulteriori informazioni sono disponibili all'indirizzo www.2helpU.com

Dati tecnici

		BEG010 Tipo 1
Tensione in ingresso	V_{CA}	230
Potenza assorbita	W	710
Velocità nominale	min^{-1}	12000
Alesaggio disco	mm	22

Spessore max. disco		
	mm	6
Dischi da taglio	mm	3,5
Dimensioni alberino		M14
Peso	Kg	1,7

Livello di pressione sonora misurato in base a EN 60745:		
Pressione sonora (L_{pA}) 89 dB(A), incertezza K 3 dB(A)		
Potenza acustica (L_{WA}) 100 dB(A), incertezza (K) 3 dB(A)		

Valori di emissione totali di vibrazioni (somma vettoriale triassiale) in conformità alla norma EN 60745:		
Smerigliatura superficiale (a_{ms}) 5,1 m/s^2 , incertezza (K) 1,5 m/s^2		
Taglio ($a_{m,co}$) 4,8 m/s^2 , incertezza (K) 1,5 m/s^2		
Levigatura disco ($a_{m,ds}$) 6,6 m/s^2 , incertezza (K) 1,5 m/s^2		

Dichiarazione di conformità CE

DIRETTIVA MACCHINE



Smerigliatrice angolare BEG010

Black&Decker dichiara che i prodotti descritti al paragrafo

"Dati tecnici" sono conformi alle seguenti normative:

2006/42/CE, EN 60745-1:2009 + A11:2010;

EN 60745-2-3:2011 + A2:2013 + A11:2014

+ A12:2014 + A13:2015

Questi prodotti sono conformi alle Direttive 2014/30/UE e 2011/65/UE.

Per ulteriori informazioni contattare Black & Decker al seguente indirizzo oppure consultare l'ultima di copertina del manuale.

Il sottoscritto è responsabile della redazione del presente documento tecnico ed effettua questa dichiarazione per conto di Black & Decker.

R. Laverick
Direttore tecnico

Black&Decker Europe, 210 Bath Road, Slough,
Berkshire, SL1 3YD
Regno Unito
27/09/2017

Garanzia

Black & Decker è sicura della qualità dei propri prodotti e offre ai consumatori una garanzia di 24 mesi dalla data di acquisto. Il presente certificato di garanzia è complementare ai diritti legali e non li pregiudica in alcun modo. La garanzia è valida sui territori degli stati membri dell'Unione Europea e dell'EFTA (Associazione europea di libero scambio).

Per attivare la garanzia, il reclamo deve essere effettuato in accordo con i Termini e Condizioni Black & Decker e sarà necessario presentare la prova di acquisto al venditore o all'agente di riparazione autorizzato. I Termini e condizioni della garanzia Black & Decker di 2 anni e la sede dell'agente di riparazione autorizzato più vicino sono consultabili su Internet all'indirizzo www.2helpU.com oppure è possibile contattare l'ufficio Black & Decker di zona all'indirizzo indicato in questo manuale.

Visitare il nostro sito www.blackanddecker.co.uk per registrare il nuovo prodotto Black & Decker e ricevere gli aggiornamenti sui nuovi prodotti e le offerte speciali.

(Vertaling van de originele instructies)

NEDERLANDS

Bedoeld gebruik

De BLACK+DECKER haakse slijper van het type BEG010 is ontworpen voor het slijpen en zagen van metaal en metaalwerk met het juiste type zaag- of slijpschijf. Met de juiste beschermkap erop gemonteerd is dit gereedschap uitsluitend bedoeld voor consumentengebruik.

Veiligheidsinstructies

Algemene veiligheidswaarschuwingen voor elektrisch gereedschap



Waarschuwing! Lees alle veiligheidsinstructies en alle instructies. Wanneer de volgende waarschuwingen en voorschriften niet in acht worden genomen, kan dit een elektrische schok, brand of ernstig letsel tot gevolg hebben.

Bewaar alle waarschuwingen en instructies als referentiemateriaal.

De hierna gebruikte term 'elektrisch gereedschap' in alle waarschuwingen die hieronder worden vermeld, heeft betrekking op elektrisch gereedschap voor gebruik op netspanning (met netsnoer) of met een accu (snoerloos).

1. Veilige werkomgeving

a. Houd uw werkomgeving schoon en goed verlicht. Op rommelige of donkere plekken zullen sneller ongelukken gebeuren.

- b. **Werk niet met elektrisch gereedschap in een omgeving met explosiegevaar, zoals in de nabijheid van brandbare vloeistoffen, gassen of stof.** Elektrisch gereedschap veroorzaakt vonken die het stof of de dampen kunnen doen ontbranden.
- c. **Houd kinderen en omstanders tijdens het gebruik van elektrisch gereedschap op afstand.** Als u wordt afgeleid, kunt u de controle over het gereedschap verliezen.

2. Elektrische veiligheid

- a. **De netstekker van het elektrisch gereedschap moet in het stopcontact passen. Pas de stekker nooit op enige manier aan. Gebruik geen adapterstekkers in combinatie met geaard elektrisch gereedschap.** Niet-aangepaste stekkers en passende contactdozen verminderen het risico van een elektrische schok.
- b. **Vermijd aanraking van het lichaam met geaarde oppervlakken, bijvoorbeeld buizen, verwarmingen, fornuizen en koelkasten.** Er bestaat een verhoogd risico van een elektrische schok als uw lichaam contact heeft met aarde.
- c. **Stel elektrisch gereedschap niet bloot aan regen en vocht.** Als er water in een elektrisch gereedschap dringt, verhoogt dit het risico van een elektrische schok.
- d. **Behandel het snoer voorzichtig. Gebruik het snoer nooit om het elektrisch gereedschap te dragen of naar u toe te trekken, of de stekker uit het stopcontact te halen. Houd het snoer uit de buurt van warmtebronnen, olie, scherpe randen, of bewegende onderdelen.** Beschadigde snoeren of snoeren die in de war zijn geraakt, verhogen het risico van een elektrische schok.
- e. **Gebruik, wanneer u buitenshuis met elektrisch gereedschap werkt, alleen verlengsnoeren die zijn goedgekeurd voor gebruik buitenshuis.** Het gebruik van een verlengsnoer dat geschikt is voor buiten vermindert het risico van een elektrische schok.
- f. **Als u met elektrisch gereedschap werkt op een vochtige locatie, gebruik dan een aardlekschakelaar (RCD).** Het gebruik van een aardlekschakelaar vermindert het risico van een elektrische schok.

3. Persoonlijke veiligheid

- a. **Blijf alert, let goed op wat u doet en ga met verstand te werk bij het gebruik van elektrisch gereedschap. Gebruik elektrisch gereedschap niet als u vermoeid bent of onder de invloed van drugs, alcohol of medicatie bent.** Een moment van onoplettendheid tijdens het werken met elektrisch gereedschap kan leiden tot ernstig persoonlijk letsel.
- b. **Draag persoonlijke beschermende uitrusting. Draag altijd oogbescherming.**

Beschermende uitrusting, zoals een stofmasker, antislip veiligheidsschoenen, een helm, of gehoorbescherming, gebruikt in de juiste omstandigheden, zal het risico op persoonlijk letsel verminderen.

- c. **Voorkom per ongeluk inschakelen. Controleer dat de schakelaar in de uit-stand staat voordat u het gereedschap aansluit op het stopcontact en/of de accu plaatst en voordat u het gereedschap optilt of gaat dragen.** Het dragen van elektrisch gereedschap met uw vinger op de schakelaar of het aanzetten van elektrisch gereedschap waarvan de schakelaar aan staat, kan leiden tot ongelukken.
 - d. **Verwijder instelgereedschap of schroef sleutels voordat u het elektrisch gereedschap inschakelt.** Een steeksleutel of een inbussleutel in een draaiend deel van het elektrisch gereedschap kan tot persoonlijk letsel leiden.
 - e. **Reik niet buiten uw macht. Blijf altijd stevig en in balans op de grond staan.** Dit geeft u betere controle over het elektrisch gereedschap in onverwachte situaties.
 - f. **Draag geschikte kleding. Draag geen loszittende kleding of sieraden. Houd uw haar, kleding en handschoenen uit de buurt van bewegende onderdelen.** Loszittende kleding, sieraden of lang haar kunnen door bewegende delen worden gegrepen.
 - g. **Als voorzieningen voor stofafzuiging of stofopvang kunnen worden gemonteerd, controleer dan dat deze zijn aangesloten en op de juiste wijze worden gebruikt.** Het gebruik van stofafzuiging kan aan stof gerelateerde gevaren verminderen.
- ## 4. Gebruik en onderhoud van elektrisch gereedschap
- a. **Overbelast het elektrisch gereedschap niet. Gebruik het juiste elektrisch gereedschap voor uw toepassing.** Met het juiste elektrisch gereedschap kunt u de werkzaamheden waarvoor het gereedschap is ontworpen, beter en veiliger uitvoeren.
 - b. **Gebruik het elektrisch gereedschap niet als de schakelaar niet goed werkt.** Ieder elektrisch gereedschap dat niet met de schakelaar kan worden bediend, is gevaarlijk en moet worden gerepareerd.
 - c. **Trek de stekker uit het stopcontact en/of de accu uit het elektrisch gereedschap voordat u het gereedschap instelt, accessoires wisselt of het elektrisch gereedschap opbergt.** Dergelijke preventieve veiligheidsmaatregelen verminderen het risico dat het elektrisch gereedschap per ongeluk wordt gestart.
 - d. **Bewaar elektrisch gereedschap dat niet wordt gebruikt, buiten bereik van kinderen. Laat niet personen die er niet vertrouwd mee zijn en deze aanwijzingen niet hebben gelezen met het gereedschap werken.** Elektrisch gereedschap is gevaarlijk in handen van ongetrainde gebruikers.

- e. **Onderhoud het gereedschap goed.**
Controleer dat bewegende delen van het elektrisch gereedschap wel goed functioneren en niet klemmen, en dat er niet onderdelen zodanig zijn gebroken of beschadigd dat de werking van het gereedschap nadelig wordt beïnvloed. Laat het gereedschap voor gebruik repareren als het beschadigd is. Veel ongelukken worden veroorzaakt door slecht onderhouden elektrisch gereedschap.
- f. **Houd zaag- en snijgereedschap scherp en schoon.**
 Goed onderhouden zaaggereedschap met scherpe snijvlakken loopt minder snel vast en is gemakkelijker onder controle te houden.
- g. **Gebruik elektrisch gereedschap, accessoires, zaagjes en boortjes, enz., volgens deze aanwijzingen. Let daarbij op de arbeidsomstandigheden en de uit te voeren werkzaamheden.** Gebruik van het elektrisch gereedschap voor werkzaamheden die anders zijn dan bedoeld, kan leiden tot een gevaarlijke situatie.
5. **Service**
- a. **Laat het gereedschap alleen repareren door gekwalificeerd en vakkundig personeel en alleen met originele vervangingsonderdelen.** De veiligheid van het gereedschap blijft dan gewaarborgd.

Aanvullende veiligheidswaarschuwingen voor elektrisch gereedschap



Waarschuwing! Aanvullende aanwijzingen voor de veiligheid voor werkzaamheden als Slijpen, Doorslijpen, Schuren en voor gebruik van de draadborstel:

- ◆ **Dit elektrisch gereedschap is bedoeld voor bewerkingen als slijpen, schuren, werken met de draadborstel, polijsten en doorslijpen.** Lees alle veiligheidswaarschuwingen, instructies, illustraties en specificaties die bij dit gereedschap zijn meegeleverd. Het niet opvolgen van alle onderstaande instructies kan leiden tot een elektrische schok, brand en/of ernstig persoonlijk letsel.
- ◆ **Werkzaamheden waarvoor het elektrische gereedschap niet is ontworpen, kunnen leiden tot gevaarlijke situaties en lichamelijk letsel.**
- ◆ **Gebruik geen hulpstukken die niet speciaal zijn ontworpen en aanbevolen door de fabrikant.** Als u een accessoire op uw gereedschap kunt bevestigen, betekent dat nog niet dat u er gegarandeerd veilig mee kunt werken.
- ◆ **De nominale snelheid van het hulpstuk moet minimaal gelijk zijn aan de maximale snelheid die is aangegeven op het elektrisch gereedschap.**

Accessoires die sneller draaien dan hun nominale toerental, kunnen in stukken breken en deze stukken kunnen worden weggeslingerd.

- ◆ **De buitendiameter en dikte van uw hulpstuk mogen niet groter zijn dan de maximale capaciteit van uw elektrische gereedschap.** Hulpstukken die niet de juiste afmetingen hebben, kunnen niet voldoende worden afgeschermd en onder controle worden gehouden.
- ◆ **De schroefdraad van accessoires moet overeenkomen met het schroefdraad van de as van de haakse slijper.** **Voor accessoires die zijn gemonteerd door middel van flenzen moet het drevelfgat van het accessoire passen bij de plaatsingsdiameter van de flens.** Accessoires die niet passen op de bevestigingshardware van het gereedschap zullen uit balans raken en/of extreem trillen en kunnen u de beheersing over het gereedschap doen verliezen.
- ◆ **Gebruik een hulpstuk niet als dit beschadigd is.** **Controleer accessoires zoals schuurwielen voor gebruik op schilfers en barstjes, steunkussens op barstjes, scheurtjes of excessieve slijtage, staalborstels op losse of gespleten draden.** Als het gereedschap of het accessoire is gevallen, inspecteer het dan op schade of plaats een onbeschadigd accessoire. Nadat u het gereedschap hebt geïnspecteerd en/of een nieuw hulpstuk hebt geïnstalleerd, laat u het gereedschap gedurende een minuut draaien op maximaal onbelast toerental. Beschadigde accessoires breken gewoonlijk af tijdens deze testtijd.
- ◆ **Draag een uitrusting voor persoonlijke bescherming.** **Afhankelijk van de toepassing moet u gezichtsbedekking of bescherming van de ogen, zoals een veiligheidsbril dragen.** Draag, zo nodig, een stofmasker, gehoorbescherming, handschoenen en een werkschort die kleine afgeschuurde deeltjes of deeltjes van het werkstuk tegenhouden. De bescherming van de ogen moet rondvliegende deeltjes die door de diverse werkzaamheden vrijkomen, tegen kunnen houden. Het stofmasker of de respirator moet in staat zijn om partikels die voortkomen uit werkzaamheden afdoende te filteren. Langdurige blootstelling aan intense geluiden kan gehoorverlies veroorzaken.
- ◆ **Houd omstanders op veilige afstand van de werkomgeving.** **Iedereen die het werkgebied betreedt, moet persoonlijke beschermende kleding dragen.** Brokstukken van het werkstuk of van een afgebroken accessoire kunnen wegvliegen en letsel buiten het directe werkgebied veroorzaken.

- ◆ **Houd het gereedschap alleen vast bij de geïsoleerde greepoppervlakken, als u een handeling uitvoert waarbij het snijdende hulpstuk met niet-zichtbare bekabeling of met het eigen snoer in aanraking kan komen.** Wanneer een draad waar spanning op staat, wordt doorgesneden, kunnen ijzere onderdelen van het gereedschap onder spanning komen te staan en kan de gebruiker een elektrische schok krijgen.
- ◆ **Zet het werkstuk met klemmen of op een andere praktische manier vast en ondersteun het werkstuk op een stabiele ondergrond.** Wanneer u het werkstuk vasthoudt met de hand of het tegen uw lichaam gedrukt houdt, is het instabiel en kunt u de controle verliezen.
- ◆ **Plaats de kabel uit de buurt van het draaiende hulpstuk.** Als u de controle verliest, wordt het snoer mogelijk doorgesneden of gegrepen en kan uw hand of arm in het draaiende accessoire worden getrokken.
- ◆ **Leg het elektrisch gereedschap pas neer als het hulpstuk volledig tot stilstand is gekomen.** Het ronddraaiende accessoire kan mogelijk in contact met de oppervlakte komen waardoor u de controle over het gereedschap verliest.
- ◆ **Stel het gereedschap niet in werking wanneer u dit aan uw zij draagt.** Wanneer uw kleding per ongeluk bekneld raakt in het ronddraaiende accessoire, kan het accessoire tegen uw lichaam aan worden getrokken.
- ◆ **Reinig regelmatig de ventilatieopeningen van het elektrisch gereedschap.** De ventilator van de motor zuigt het stof in de behuizing en al te grote ophoping van metaaldeeltjes kan een elektrische schok veroorzaken.
- ◆ **Gebruik het gereedschap niet in de buurt van brandbaar materiaal.** Vonken kunnen deze materialen doen ontbranden.
- ◆ **Gebruik geen hulpstukken waarvoor koelvloeistoffen nodig zijn.** Het gebruik van water of andere vloeibare koelmiddelen kan een elektrische schok tot gevolg hebben.

Opmerking: De bovenstaande waarschuwing geldt niet voor apparatuur die speciaal is bedoeld voor gebruik met vloeistofkoeling.

Waarschuwing met betrekking tot terugslag en gerelateerde waarschuwingen

Terugslag is een plotselinge reactie op een ronddraaiend wiel, steunkussen, borstel of ander accessoire dat bekneld of gegrepen wordt. Wanneer dit gebeurt, stopt het hulpstuk zeer plotseling met draaien waardoor de draaiing wordt overgebracht op het gereedschap zelf dat vervolgens op het verbindingpunt naar achteren klapt in een richting tegengesteld aan de draaiing van het hulpstuk.

Als bijvoorbeeld een schuurschijf wordt gegrepen of bekneld raakt door het werkstuk, kan de rand van schijf die er bij het beknellingpunt ingaat in het oppervlak van het materiaal slaan waardoor de schijf naar buiten loopt of terugslaat. De schijf kan ook in de richting of juist weg van de bediener springen, afhankelijk van de draairichting van de schijf op het moment van beknelling. Schuurschijven kunnen onder deze omstandigheden ook afbreken.

Terugslag is het gevolg van verkeerd gebruik of onjuiste gebruiksomstandigheden van elektrisch gereedschap. Met geschikte voorzorgsmaatregelen, zoals hieronder zijn beschreven, kan terugslag worden voorkomen.

- ◆ **Blijf het gereedschap stevig met beide handen vasthouden en plaats uw lichaam en armen zo dat u een eventuele terugslag kunt tegenhouden. Maak ook altijd gebruik van de hulphandgreep, indien bijgeleverd, voor maximale controle bij terugslag of torsiereactie tijdens het opstarten.** Met de juiste voorzorgsmaatregelen kunnen gebruikers torsiereactie of terugslagkrachten onder controle houden.
- ◆ **Houd uw handen uit de buurt van het draaiende hulpstuk.** Het accessoire kan over uw hand terugslaan.
- ◆ **Zorg ervoor dat uw lichaam zich niet op een positie bevindt waar het elektrisch gereedschap komt bij terugslag.** Wanneer terugslag optreedt, beweegt het gereedschap zich in een richting tegengesteld aan de draaiing van het hulpstuk op het moment van beknelling.
- ◆ **Wees extra voorzichtig bij het werken aan of in hoeken. Voorkom dat het gereedschap 'wegspringt' en vastloopt in het werkstuk.** In hoeken, op scherpe randen en bij terugspringen kan het ronddraaiende accessoire bekneld raken en kunnen zich verlies van controle of terugslag voordoen.
- ◆ **Gebruik dit gereedschap niet in combinatie met een cirkelzaagblad of een getand zaagblad.** Dergelijke zaagbladen kunnen herhaaldelijk terugslag en verlies van controle veroorzaken.

Veiligheidswaarschuwingen voor slijpen en schuur- en afkortbewerkingen

- ◆ **Gebruik alleen de voor uw gereedschap aanbevolen slijpschijven en de beschermkap die specifiek is bedoeld voor de geselecteerde schijf.** Wielen waarvoor het elektrische gereedschap niet is ontwikkeld kunnen niet voldoende worden beveiligd en zijn onveilig.
- ◆ **Het slijpoppervlak van schijven met ingedrukt middelpunt moet onder de schaaft van de kaprand worden gemonteerd.** Een schijf die niet goed is gemonteerd en die uitsteekt buiten het vlak van de beveiligingslip, kan niet voldoende worden afgeschermd.

- ◆ **De beschermkap moet stevig worden bevestigd aan het gereedschap en zo worden geplaatst dat maximale veiligheid is gegarandeerd, waarbij een zo klein mogelijk gedeelte van de schijf richting de gebruiker is gericht.** De beschermkap helpt de gebruiker te beschermen tegen afgebroken deeltjes van de schijf en voorkomt dat de gebruiker in contact komt met de schijf en met vonken die kleding in brand kunnen zetten.
- ◆ **Schijven mogen alleen worden gebruikt voor de beoogde toepassingen. Bijvoorbeeld, slijp niet met de zijkant van een afkortschijf.** Schurende afkortschijven zijn bedoeld voor perifeer slijpen; zijwaartse krachten kunnen ertoe leiden dat deze wielen uit elkaar spatten.
- ◆ **Gebruik altijd onbeschadigde flenzen van het juiste formaat en de juiste vorm voor de geselecteerde schijf.** De juiste schijfflenzen ondersteunen de schijf en beperken zo het risico van breuk. Flenzen voor afkortschijven kunnen verschillen van flenzen voor slijpschijven.
- ◆ **Gebruik geen versleten schijven van groter elektrisch gereedschap.** Een schijf die is bedoeld voor groter elektrisch gereedschap is niet geschikt voor de hogere snelheid van een kleiner gereedschap en kan uit elkaar spatten.

Aanvullende veiligheidswaarschuwingen voor slijpen/afkorten

- ◆ **'Duw' niet te hard met de afkortschijf en zet niet te veel druk. Probeer niet zaagsneden te maken die te diep zijn.** Wanneer u de veel druk uitoefent op de schijf wordt deze teveel belast en is er meer risico op verdraaien en vastlopen van de schijf in de zaagsnede en is er ook meer kans op terugslag en breuk van de schijf.
- ◆ **Zorg ervoor dat uw lichaam niet in één lijn is met de draaiende schijf en ga zo staan dat u niet recht achter de schijf staat.** Wanneer de schijf tijdens het gebruik van u af draait, kunnen de schijf en het gereedschap bij eventuele terugslag mogelijk recht op u worden geslingerd.
- ◆ **Wanneer de schijf vast komt te zitten, of wanneer u het zagen om welke reden dan ook wilt onderbreken, schakel dan het elektrisch gereedschap uit en houd het zonder te bewegen in het materiaal tot de schijf volledig tot stilstand is gekomen. Probeer nooit een afkortschijf uit de zaagsnede te verwijderen terwijl het wiel in beweging is, omdat dan terugslag kan optreden.** Zoek naar de oorzaak van het vastlopen van de schijf en neem de juiste maatregelen om dit te verhelpen.
- ◆ **Hervat de werkzaamheden niet als de schijf nog in het werkstuk zit. Laat de schijf volledig op snelheid komen en steek de schijf voorzichtig opnieuw in de zaagsnede.**

De schijf kan vastlopen, weglopen of terugslaan als het elektrisch gereedschap opnieuw wordt gestart in het werkstuk.

- ◆ **Ondersteun panelen of grote werkstukken en beperk zo het risico van klemmen en terugslaan.** Grote werkstukken kunnen onder hun eigen gewicht doorzakken. De ondersteuning moeten aan beide zijden worden geplaatst onder het werkstuk, dicht bij de zaaglijn en aan beide zijden van de schijf.
- ◆ **Wees extra voorzichtig wanneer u een invalzaagsnede wilt maken in bestaande muren of op andere onoverzichtelijke plekken.** De uitstekende schijf kan in gas- of waterbuizen of elektrische bedrading zagen of in objecten die terugslag veroorzaken.

Veiligheidswaarschuwingen voor schuurwerkzaamheden

- ◆ **Gebruik niet stukken schuurpapier die veel te groot zijn voor de schijf. Volg bij het selecteren van schuurpapier de richtlijnen van de fabrikant.** Groter schuurpapier dat buiten het schuurkussen steekt, veroorzaakt gevaar van schaafwonden en kan beknelling of scheuren van de schijf of terugslag veroorzaken.

Veiligheidswaarschuwingen voor het werken met een draadborstel

- ◆ **Houd er rekening mee dat ook bij gewone werkzaamheden draden van de borstel los kunnen raken uit de draadborstel. Zet niet teveel kracht op de draden, oefen niet te veel druk uit op de draadborstel.** De draden van de borstel dringen gemakkelijk door in dunne kleding en/of de huid.
- ◆ **Als bij het werken met de draadborstel een beschermkap wordt aanbevolen, zorg er dan voor dat de draadschijf of de staalborstel niet in aanraking komen met de beschermkap.** De diameter van de draadschijf en de draadborstel kan door werkbelasting en centrifugale krachten toenemen.

Veiligheid van anderen

- ◆ Het is niet de bedoeling dat deze machine wordt gebruikt door personen (waaronder kinderen) met verminderde fysieke, zintuiglijke of psychische vermogens, of met een gebrek aan ervaring en kennis, tenzij onder toezicht van of met aanwijzingen over het gebruik van de machine door een persoon die verantwoordelijk is voor hun veiligheid.
- ◆ Houd toezicht op kinderen zodat zij niet met het apparaat kunnen spelen.

Overige risico's

Er kunnen zich bij het gebruik van dit gereedschap nog meer risico's voordoen, die mogelijk niet in de bijgesloten veiligheidswaarschuwingen worden beschreven.

Deze risico's kunnen zich voordoen door onoordeelkundig gebruik, langdurig gebruik, enz.

Zelfs wanneer de veiligheidsvoorschriften in acht worden genomen en de veiligheidsvoorzieningen worden gebruikt, kunnen bepaalde risico's niet worden uitgesloten. Dit zijn onder meer:

- ◆ Verwondingen die worden veroorzaakt door het aanraken van draaiende of bewegende onderdelen.
- ◆ Verwondingen die worden veroorzaakt bij het vervangen van onderdelen, zaagbladen of accessoires.
- ◆ Verwondingen die worden veroorzaakt door langdurig gebruik van gereedschap. Wanneer u langere periodes met gereedschap werkt, kunt u het beste regelmatig een pauze nemen.
- ◆ Gehoorbeschadiging.
- ◆ Gezondheidsrisico's door het inademen van stof dat vrijkomt tijdens het gebruik van uw gereedschap (bijvoorbeeld: het werken met hout, met name eiken, beuken en MDF).

Trillingen

De aangegeven waarden voor trillingsemisatie in de technische gegevens en de conformiteitverklaring zijn gemeten conform een standaardtestmethode die door EN 60745 wordt geboden. Hiermee kan het ene gereedschap met het andere worden vergeleken. De aangegeven waarde voor trillingsemisatie kan ook worden gebruikt bij een voorlopige bepaling van blootstelling.

Waarschuwing! De waarde voor trillingsemisatie tijdens het werkelijke gebruik van het elektrisch gereedschap kan verschillen van de aangegeven waarde afhankelijk van de manieren waarop het gereedschap wordt gebruikt. Het trillingsniveau kan toenemen tot boven het aangegeven niveau.

Bij beoordeling van de blootstelling aan trillingen met het doel vast te stellen welke veiligheidsmaatregelen 2002/44/EG vereist ter bescherming van personen die tijdens hun werk regelmatig elektrisch gereedschap gebruiken, moet bij een inschatting van de blootstelling aan trillingen rekening worden gehouden met de werkelijke gebruiksomstandigheden en de manier waarop het gereedschap wordt gebruikt. Daarbij moet ook rekening worden gehouden met alle onderdelen van de bedrijfscyclus, zoals wanneer het gereedschap wordt uitgeschakeld en wanneer het gereedschap stationair loopt en ook de aanlooptijd.

Etiketten op het gereedschap

De volgende pictogrammen worden met de datumcode op het gereedschap weergegeven:



Waarschuwing! De gebruiker moet de instructiehandleiding lezen zodat het risico van letsel wordt beperkt.



Draag een veiligheidsbril of een stofbril wanneer u met dit gereedschap werkt.



Draag gehoorbescherming wanneer u met dit gereedschap werkt

Elektrische veiligheid



De lader is dubbel geïsoleerd, en daarom is een aardedraad niet nodig. Controleer altijd dat de netspanning overeenkomt met de waarde op het typeplaatje.

- ◆ Als het netsnoer is beschadigd, moet het door de fabrikant of door een geautoriseerd BLACK+DECKER-servicecentrum worden vervangen, zodat gevaarlijke situaties worden voorkomen.

Spanningsdalingen

Tijdens de stroomtoevoer kan zich soms een korte daling voordoen. Wanneer de stroomvoorziening niet optimaal is, kan dit invloed hebben op andere apparatuur.

Als de systeemimpedantie van de netvoeding lager is dan 0,107 Ω, zullen er waarschijnlijk geen storingen optreden.

Functies

Dit gereedschap is voorzien van enkele of alle van de volgende functies.

1. Aan/Uit-schakelaar
2. Asvergrendeling
3. Beschermkap
4. Zijhandgreep

Montage

Waarschuwing! Controleer voor de montage dat het gereedschap is uitgeschakeld en de stekker niet in het stopcontact zit.

De beschermkap plaatsen en verwijderen (afb. A1, A2)

Het gereedschap is uitgerust met een beschermkap, die alleen bedoeld is voor slijpwerkzaamheden (type 27). Als het de bedoeling is dat met de unit afkortwerkzaamheden worden uitgevoerd, moet een specifieke beschermkap voor dit werk (type 41) worden gemonteerd. Een geschikte beschermkap, onderdeelnummer N642463 (voor een zaagschijf van 115mm) is verkrijgbaar bij BLACK+DECKER-servicecentra.

- ◆ Plaats het gereedschap op een tafel met de as (5) naar boven gericht.
- ◆ Plaats de openingen (7) tegenover de inkepingen (8).

- ◆ Druk de beschermkap omlaag en draai de kap linksom op z'n plaats.
- ◆ Draai de schroef (6) vast en bevestig zo de beschermkap.

Verwijderen

- ◆ Draai de schroef (6) los.
- ◆ Draai de beschermkap naar links tot de openingen (7) tegenover de inkepingen (8) uitkomen.
- ◆ Verwijder de beschermkap van het gereedschap.

Waarschuwing! Gebruik het apparaat nooit zonder de beschermkap.

Monteren van de zijhandgreep

- ◆ Schroef de zijgreep (4) in een van de montagegaten van het gereedschap.

Waarschuwing! Maak altijd gebruik van de zijhandgreep.

Monteren en verwijderen van slijpschijven (afb. B - D)

Gebruik altijd het juiste type schijf voor uw specifieke toepassing. Gebruik altijd schijven met de juiste diameter en asgaten (zie technische gegevens).

Monteren

- ◆ Bevestig de beschermkap zoals hierboven beschreven.
- ◆ Plaats de binnenste flens (10) op de spil (5), zoals wordt getoond (afb. B). Let erop dat de flens op de juiste manier is geplaatst op de platte zijden van de as.
- ◆ Plaats de schijf (11) op de as (5) zoals wordt getoond (afb. B). Als de schijf een verhoogd middelpunt (12) heeft, plaats dan het verhoogde gedeelte naar de binnenste flens gericht.
- ◆ Controleer dat de schijf op de juiste manier op de binnenste flens is geplaatst.
- ◆ Plaats de buitenste flens (13) op de as. Bij het plaatsen van een slijpschijf moet u erop letten dat het verhoogde middelpunt op de buitenste flens naar de schijf is gericht (A in afb. C). Bij het plaatsen van een zaagschijf, moet u erop letten dat het verhoogde middelpunt van de buitenste flens niet naar de schijf is gericht (B in afb. C).
- ◆ Houd de asvergrendeling (2) ingedrukt en draai de buitenste flens vast met behulp van de tweepenssteeksleutel (14) (afb. D).

Verwijderen

- ◆ Houd de asvergrendeling (2) ingedrukt en draai de buitenste flens (13) los met behulp van de tweepenssteeksleutel (14) (afb. D).
- ◆ Verwijder de buitenste flens (13) en de schijf (11).

Oppervlakken slijpen met slijpschijven

- ◆ Geef het gereedschap de tijd volledig op snelheid te komen voor u met het gereedschap het werkoppervlak raakt.
- ◆ Oefen minimale druk uit op het werkoppervlak, laat het gereedschap op hoge snelheid z'n werk doen. Het rendement van de haakse slijper is het grootst wanneer het gereedschap op hoge snelheid werkt.
- ◆ Houd een hoek aan van 20° tot 30° tussen het gereedschap en het werkoppervlak, zoals wordt getoond in afbeelding F.
- ◆ Verplaats het gereedschap voortdurend in een voorwaartse en achterwaartse beweging zodat wordt voorkomen dat er groeven in het werkoppervlak ontstaan.
- ◆ Til het gereedschap van het werkoppervlak voordat u het gereedschap uitschakelt. Leg het gereedschap pas neer wanneer het tot stilstand is gekomen.

Randen slijpen met slijpschijven

Schijven waarmee wordt gezaagd of waarmee randen worden geschuurd, kunnen breken of terugslaan als ze worden gebogen of gedraaid bij afkortwerk of zwaar slijpwerk. Slijpen van randen/afkorten met een schijf van Type 27 moet worden beperkt tot ondiep afkorten en inzagen, minder dan 13 mm diep wanneer de schijf nieuw is. Beperk de diepte van het afkorten/inzagen in overeenstemming met de afname van de schijfradius wanneer de schijf slijt. Raadpleeg de 'Tabel slijpen afkortaccessoires' aan het einde van deze handleiding voor meer informatie. Slijpen van randen/afkorten met een schijf van Type 41 vraag gebruik van een beschermkap van Type 41.

- ◆ Geef het gereedschap de tijd volledig op snelheid te komen voor u met het gereedschap het werkoppervlak raakt.
- ◆ Oefen minimale druk uit op het werkoppervlak, laat het gereedschap op hoge snelheid z'n werk doen. Het rendement van de haakse slijper is het grootst wanneer het gereedschap op hoge snelheid werkt.
- ◆ Ga zo staan dat de open onderzijde van de schijf van u af is gericht.
- ◆ Verander niet meer de hoek van de zaagsnede wanneer het zagen is begonnen en er in het werkstuk een inkeping is ontstaan. Wanneer u de hoek verandert, zal daardoor de schijf worden gebogen en dat kan leiden tot breuk van de schijf.
- ◆ Schijven voor het slijpen van randen zijn niet bestand tegen zijdelingse druk die wordt veroorzaakt door buigen.
- ◆ Til het gereedschap van het werkoppervlak voordat u het gereedschap uitschakelt. Leg het gereedschap pas neer wanneer het tot stilstand is gekomen.

Waarschuwing! Gebruik schijven voor het zagen/slijpen van randen niet voor het slijpen van oppervlakken als het label op de schijf dergelijk gebruik verbiedt, omdat deze schijven niet bestand zijn tegen de zijdelingse druk die ontstaat bij het slijpen van een oppervlak. Breuk van de schijf en ernstig persoonlijk letsel kunnen het gevolg zijn.

Schuurschijven plaatsen en verwijderen (afb. D en E)

Voor schuurwerk moet u een steunkussen plaatsen. Het steunkussen is als hulpstuk verkrijgbaar bij uw BLACK+DECKER-leverancier.

Monteren

- ◆ Plaats de binnenste flens (10) op de as (5), zoals wordt getoond (afb. E). Let erop dat de flens op de juiste manier is geplaatst op de platte zijden van de as.
- ◆ Plaats het steunkussen (15) op de as.
- ◆ Plaats de schuurschijf (16) op het steunkussen.
- ◆ Plaats de buitenste flens (13) op de as waarbij het voorhoogde gedeelte niet naar de schijf gericht moet zijn.
- ◆ Houd de asvergrendeling (2) ingedrukt en draai de buitenste flens vast met behulp van de tweepens-steeksleutel (14) (afb. D). Controleer dat de buitenste flens op de juiste manier is gemonteerd en dat de schijf goed wordt vastgeklemd.

Verwijderen

- ◆ Houd de asvergrendeling (2) ingedrukt en draai de buitenste flens (13) los met behulp van de tweepens-steeksleutel (14) (afb. D).
- ◆ Verwijder de buitenste flens (13), de schuurschijf (16) en het steunkussen (15).

Oppervlakken afwerken met schuurschijven

- ◆ Geef het gereedschap de tijd volledig op snelheid te komen voor u met het gereedschap het werkoppervlak raakt.
- ◆ Oefen minimale druk uit op het werkoppervlak, laat het gereedschap op hoge snelheid z'n werk doen. Het schuurrendement van het gereedschap is het grootst wanneer het op hoge snelheid werkt.
- ◆ Houd een hoek aan van 5° tot 10° tussen het gereedschap en het werkoppervlak, zoals wordt getoond in afbeelding G.
- ◆ Verplaats het gereedschap voortdurend in een voorwaartse en achterwaartse beweging zodat wordt voorkomen dat er groeven in het werkoppervlak ontstaan.
- ◆ Til het gereedschap van het werkoppervlak voordat u het gereedschap uitschakelt. Leg het gereedschap pas neer wanneer het tot stilstand is gekomen.

Achterste schuurschijven gebruiken

Gebruik altijd de schuurschijven van de juiste grofheid voor uw toepassing. Schuurschijven zijn verkrijgbaar in diverse grofheden. Met een grotere grofheid wordt sneller materiaal weggeschuurd en ontstaat een ruwere afwerking. Met een mindere grofheid wordt minder snel materiaal weggeschuurd en ontstaat een gladdere afwerking.

Begin met grove schuurschijven zodat u snel ruw materiaal kunt verwijderen. Vervolg met schuurpapier met een gemiddelde grofheid en werk af met een fijne schuurschijf voor de mooiste afwerking.

- ◆ Grof = korrel 16 - 30.
- ◆ Middel = korrel 36 - 80.
- ◆ Fijne afwerking = korrel 100 - 120 grit.
- ◆ Zeer fijne afwerking = korrel 150 - 180.
- ◆ Geef het gereedschap de tijd volledig op snelheid te komen voor u met het gereedschap het werkoppervlak raakt.
- ◆ Oefen minimale druk uit op het werkoppervlak, laat het gereedschap op hoge snelheid z'n werk doen. Het schuurrendement van het gereedschap is het grootst wanneer het op hoge snelheid werkt.
- ◆ Houd een hoek aan van 5° tot 10° tussen het gereedschap en het werkoppervlak, zoals wordt getoond in afbeelding H. De schuurschijf moet het werkoppervlak over een gebied van ongeveer 25 mm raken.
- ◆ Verplaats het gereedschap steeds in een rechte lijn zodat er niet brand- en draaiplekken in het werkoppervlak ontstaan. Wanneer u het gereedschap op het werkoppervlak laat rusten zonder het te verplaatsen, of wanneer u het gereedschap in een cirkelvormige beweging verplaatst, ontstaan brand- en draaiplekken op het werkoppervlak.
- ◆ Til het gereedschap van het werkoppervlak voordat u het gereedschap uitschakelt. Leg het gereedschap pas neer wanneer het tot stilstand is gekomen.

Te nemen voorzorgsmaatregelen bij het schuren van verf

- ◆ Het schuren van verf op loodbasis wordt **NIET AANBEVOLEN** omdat het moeilijk is de verontreinigde deeltjes onder controle te houden. Voor kinderen en zwangere vrouwen is loodvergiftiging het meest gevaarlijk.
- ◆ Omdat het zonder chemische analyse moeilijk is vast te stellen of een verf lood bevat, adviseren wij de volgende voorzorgsmaatregelen wanneer u verf schuurt:
 - ◆ Kinderen en zwangere vrouwen mogen pas worden toegelaten op de werkplek waar verf wordt geschuurd als alle schoonmaakwerkzaamheden zijn voltooid.
 - ◆ Alle personen die de werkplek betreden moeten een stofmasker dragen. Het filter moet dagelijks worden vervangen of wanneer de drager moeilijkheden heeft met ademen.

Opmerking: Gebruik alleen stofmaskers die geschikt zijn voor het werken met stof van loodhoudende verf en dampen. Gewone stofmaskers bieden deze bescherming niet. Ga naar de gereedschapswinkel bij u in de buurt en vraag het juiste goedgekeurde stofmasker.

- ◆ EET, DRINK EN ROOK NIET op de werkplek zodat u geen verontreinigde verfddeeltjes binnen kunt krijgen. Personen die dit werk uitvoeren moeten zich wassen en moeten opruimen VOORDAT zij eten, drinken of roken. Etenswaar, drinken en rookgerei mogen niet achterblijven op de werkplek waar er stof op kan neerdalen.
- ◆ Verf moet worden verwijderd op een manier dat er zo min mogelijk stof ontstaat.
- ◆ Ruimten waar verf wordt verwijderd, moeten worden afgedicht met plastic folie met een dikte van 4 mils.
- ◆ Schuren moet zo worden uitgevoerd dat er weinig sporen van verfstofdeeltjes buiten de werkplek komen.
- ◆ Alle oppervlakken op de werkplek moeten dagelijks worden gestofzuigd en grondig worden gereinigd zolang er wordt geschuurd. Stofzuigerzakken moeten vaak worden vervangen.
- ◆ Plastic dekkleden moeten worden verzameld en worden verwijderd met eventuele stofsippers en ander verwijderd vuil. Zij moeten in dichte vuilnisbakken worden geplaatst en worden opgehaald door de gebruikelijke vuilnisophaaldienst. Tijdens het schoonmaken moeten kinderen en zwangere vrouwen uit de buurt worden gehouden van de directe werkplek.
- ◆ Alle speelgoed, afwasbare meubels en gebruiksvoorwerpen die worden gebruikt door kinderen, moeten grondig worden gewassen voordat ze weer worden gebruikt.

Monteren en gebruiken van draadborstels en draadschijven

Draadkamborstels of draadschijven worden direct, zonder flenzen, op de as van de haakse slijper geschroefd. b. Bij het gebruik van draadborstels en draadschijven is een beschermkap van Type 27 vereist. Draag werkhandschoenen wanneer u met draadborstels en draadschijven werkt. Zij kunnen scherp worden. Schijven of borstels mogen de beschermkap niet raken wanneer ze zijn gemonteerd of wanneer u ze gebruikt. Niet-waarneembare beschadiging van het accessoire kan optreden, waardoor stukjes draad los kunnen komen van de schijf of van de draadkom.

- ◆ Draai met de hand de schijf op de as.
- ◆ Druk de asvergrendelingsknop in en zet de schijf met een sleutel op de naaf van de draadschijf of draadborstel vast.
- ◆ U kunt de schijf verwijderen door de hierboven vermelde instructies in omgekeerde volgorde uit te voeren.

Waarschuwing! Wanneer u de naaf van de schijf niet goed plaatst voordat u het gereedschap inschakelt, kan dat beschadiging van het gereedschap of van de schijf tot gevolg hebben. U kunt met draadschijven en draadborstels roest, kalkaanslag en verf verwijderen en onregelmatig gevormde oppervlakken glad maken.

Opmerking: Bij het verwijderen van verf met draadborstels en het schuren van verf moeten dezelfde maatregelen worden genomen.

- ◆ Geef het gereedschap de tijd volledig op snelheid te komen voor u met het gereedschap het werkoppervlak raakt.
- ◆ Oefen minimale druk uit op het werkoppervlak, laat het gereedschap op hoge snelheid z'n werk doen. Het rendement van het gereedschap bij het verwijderen van materiaal is het grootst wanneer het gereedschap op hoge snelheid werkt.
- ◆ Houd een hoek van 5° tot 10° tussen het gereedschap en het werkoppervlak aan voor draadkamborstels, zoals wordt getoond in afbeelding 1.
- ◆ Houd bij gebruik van draadschijven contact tussen de rand van de schijf en het werkoppervlak.
- ◆ Verplaats het gereedschap voortdurend in een voorwaartse en achterwaartse beweging zodat wordt voorkomen dat er groeven in het werkoppervlak ontstaan. Wanneer u het gereedschap op het werkoppervlak laat rusten zonder het te verplaatsen, of wanneer u het gereedschap in een cirkelvormige beweging verplaatst, ontstaan brand- en draaiplekken op het werkoppervlak.
- ◆ Til het gereedschap van het werkoppervlak voordat u het gereedschap uitschakelt. Laat het gereedschap tot stilstand komen voordat u het neerzet.

Waarschuwing! Ga extra voorzichtig te werk wanneer u over een rand werkt, omdat u dan een plotselinge scherpe beweging van de haakse slijper kunt ervaren.

Montage en gebruik van afkortschijven (type 41)

Afkortschijven zijn onder meer diamantschijven en schuurschijven. Er zijn zaag/schuurschijven voor metaal en beton leverbaar. Diamantschijven voor het zagen van beton kunnen ook worden gebruikt.

OPMERKING: Een gesloten, tweezijdige beschermkap van type 41 voor afkortschijven wordt apart verkocht en is nodig wanneer met afkortschijven wordt gewerkt. Wanneer u nalaat de juiste flens en beschermkap te gebruiken kan dat letsel tot gevolg hebben doordat de schijf afbreekt of doordat u de schijf aanraakt. Voor afkortschijven moet een steunflens en een klemmoer met schroefdraad (bij het gereedschap geleverd) van passende diameter worden gebruikt.

Montage van gesloten beschermkap (type 41) (Afb. J, K)

- ◆ Houd de drie nokken op de beschermkap tegenover de drie sleuven op de naaf. Zo worden de nokken uitgelijnd met de sleuven op de kap van de tandwielkast, zoals wordt getoond in afbeelding J.
- ◆ Duw de beschermkap omlaag tot de nok van de beschermkap vastgrijpt en vrij roteert in de groef op de tandwielkastnaaf.
- ◆ Roteer de beschermkap naar links zodat deze op z'n plaats vergrendeld wordt.
De beschermkap als geheel moet worden geplaatst tussen de as en de gebruiker, zodat die maximaal beschermd is.
- ◆ Zet de schroef van de vergrendeling van de beschermkap vast zodat de beschermkap vast komt te zitten op de kap van de tandwielkast. U moet de beschermkap met de hand kunnen draaien. Werk niet met de haakse slijper terwijl de beschermkap los zit.
- ◆ U kunt de beschermkap verwijderen door de schroef van de vergrendeling van de beschermkap los te draaien. Draai vervolgens de beschermkap zodat de drie nokken op de beschermkap uitkomen tegenover de drie sleuven op de naaf en trek de beschermkap omhoog.

Afkortschijven monteren

- ◆ Plaats de steunflens zonder schroefdraad op de as met het verhoogde gedeelte (richtpunt) naar boven gericht. Het verhoogde gedeelte (richtpunt) van de steunflens komt tegen de schijf wanneer de schijf wordt geplaatst.
- ◆ Plaats de schijf op de steunflens, waarbij de schijf wordt gecentreerd op het verhoogde gedeelte (richtpunt).
- ◆ Plaats de klemmoer met schroefdraad met het verhoogde gedeelte (richtpunt) van de schijf af gericht.
- ◆ Draai, terwijl u de asvergrendelingsknop ingedrukt houdt, de klemmoer aan met de meegeleverde steeksleutel.
- ◆ U kunt de schijf verwijderen door de asvergrendelingsknop in te drukken en de klemmoer met schroefdraad met de meegeleverde steeksleutel los te draaien.

Waarschuwing! Gebruik schijven voor het zagen/slijpen van randen niet voor het slijpen van oppervlakken omdat deze schijven niet bestand zijn tegen de zijdelingse druk die ontstaat bij het slijpen van een oppervlak. Breuk van de schijf en letsel kan het gevolg zijn.

- ◆ Geef het gereedschap de tijd volledig op snelheid te komen voor u het werkoppervlak raakt.
- ◆ Oefen minimale druk uit op het werkoppervlak, laat het gereedschap op hoge snelheid z'n werk doen. Het zaagrendement van het gereedschap is het grootst wanneer het op hoge snelheid werkt.
- ◆ Verander niet meer de hoek van de zaagsnede wanneer het zagen is begonnen en er in het werkstuk een inkeping is ontstaan.

Wanneer u de hoek verandert, zal daardoor de schijf worden gebogen en dat kan leiden tot breuk van de schijf.

- ◆ Til het gereedschap van het werkoppervlak voordat u het gereedschap uitschakelt. Laat het gereedschap tot stilstand komen voordat u het neerzet.

Gebruik van het apparaat

Waarschuwing! Laat het gereedschap op z'n eigen snelheid werken. Overbelast het gereedschap niet.

- ◆ Leid de kabel voorzichtig zodat u de kabel niet per ongeluk doorsnijdt.
- ◆ Houd er rekening mee dat er een vonkenregen vrij kan komen wanneer u met een schuur- of slijpschijf het werkstuk raakt.
- ◆ Houd het gereedschap altijd zo dat de beschermkap optimale bescherming biedt ten opzichte van de schuur- of slijpschijf.

In- en uitschakelen

- ◆ Schakel het gereedschap in door op de aan/uit-schakelaar (1) te drukken.
- ◆ Laat de aan/uit-schakelaar (1) los als u het gereedschap wilt uitschakelen.

Waarschuwing! Zet het gereedschap niet uit terwijl het belast wordt.

Tips voor optimaal gebruik

- ◆ **Houd het gereedschap stevig vast met uw ene hand aan de zijgreep en uw andere hand aan de hoofdgriep.**
- ◆ Houd bij slijpen altijd een hoek aan van ongeveer 15° tussen de schijf en het oppervlak van het werkstuk.

Onderhoud

Uw BLACK+DECKER-apparaat/-gereedschap (met netsnoer/snoerloos) is ontworpen om gedurende lange tijd te functioneren met een minimum aan onderhoud. Het continu naar tevredenheid functioneren hangt af van de juiste zorg voor het gereedschap en regelmatig schoonmaken.

Waarschuwing! Ga altijd als volgt te werk voor u onderhouds- of reinigingswerkzaamheden aan het elektrisch gereedschap (met snoer/snoerloos) uitvoert:

- ◆ Schakel het gereedschap/apparaat uit en trek de stekker uit het stopcontact.
- ◆ Als het gereedschap/apparaat een afzonderlijke accu heeft, schakelt u het gereedschap/apparaat uit en haalt u de accu eruit.
- ◆ Als de accu is ingebouwd, laat u deze volledig ontladen. Schakel vervolgens het gereedschap uit.
- ◆ Trek de stekker van de lader uit het stopcontact voordat u de lader schoonmaakt. Behalve regelmatige reiniging vraagt de lader geen onderhoud.

- ◆ Reinig regelmatig de ventilatieopeningen van het gereedschap/apparaat/lader met een zachte borstel of droge doek.
- ◆ Reinig de behuizing van de motor regelmatig met een vochtige doek. Gebruik niet een schurend schoonmaakmiddel of een schoonmaakmiddel op basis van een oplosmiddel.
- ◆ Open regelmatig de spankop, tik erop en verwijder zo eventueel stof uit het binnenste (indien van toepassing).

Netstekker vervangen (alleen VK en Ierland)

Als er een nieuwe netstekker moet worden gemonteerd:

- ◆ Gooi de oude stekker op verantwoorde wijze weg.
- ◆ Sluit de bruine draad aan op de spanningvoerende pool in de nieuwe stekker.
- ◆ Sluit de blauwe draad op de niet-spanningvoerende pool.

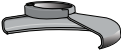
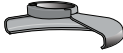

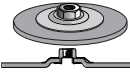
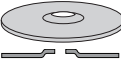





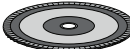

Waarschuwing! Er moet geen verbinding tot stand worden gebracht met de aardeaansluiting.

Volg de montage-instructies die bij stekkers van goede kwaliteit worden geleverd. Aanbevolen zekering: 13 A.

Problemen oplossen

Probleem	Mogelijke oorzaak	Mogelijke oplossing
Unit start niet.	Stekker niet in stopcontact. Snoer of schakelaar is beschadigd.	Steek de stekker in een stopcontact waar spanning op staat. Laat de kabel of de schakelaar vervangen bij een BLACK+ DECKER-servicecentrum of een erkende reparateur.

Tabel slijp- en afkortaccessoire

Slijpwielen	
 Type 27 beschermkap	 Type 27 beschermkap
 Steunflens zonder schroefdraad	 Type 27 schijf met naaf
 Type 27 schijf met verzinken middenschijf	
 Klembout met schroefdraad	
Schuurbladschijven	
 Type 27 beschermkap	 Type 27 beschermkap
 Schuurbladschijf met naaf	 Steunflens zonder schroefdraad
	 schuurbladschijf zonder naaf
	 Klembout met schroefdraad

Producten en accu's bevatten materialen die kunnen worden teruggewonnen of gerecycled en dat doet de vraag naar grondstoffen afnemen.

Recycle elektrische producten en accu's volgens de ter plaatse geldende bepalingen. Nadere informatie is beschikbaar op www.2helpU.com

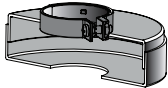
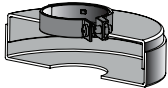













Technische gegevens

		BEG010 Type 1
Ingangsspanning	V_{AC}	230
Vermogen	W	710
Nominale snelheid	min ⁻¹	12000
Boring schijf	mm	22

Max. dikte van schijf		
	mm	6
Zaagschijven	mm	3.5
Asgroote		M14
Gewicht	Kg	1,7

Geluidsrukniveau volgens EN 60745:	
Geluidsdruk (LpA)	89 dB(A), meetonzekerheid (K) 3 dB(A)
akoestisch vermogen (L _{WA})	100 dB(A), meetonzekerheid (K) 3 dB(A)

Totale trillingswaarden (som triaxvector) volgens EN 60745:	
Slijpen van oppervlakken (a _{AG})	5,1 m/s ² , meetonzekerheid (K) 1,5 m/s ²
Snijden (a _{CG})	4,8 m/s ² , meetonzekerheid (K) 1,5 m/s ²
Schuren met schijf (a _{DS})	6,6 m/s ² , meetonzekerheid (K) 1,5 m/s ²

Type 41 Afkortschijven	
	
Type 41 beschermkap	Type 41 beschermkap
	
Steunflens	Steunflens
	
Schuur/afkortschijf	Ruitvormige afkortschijf
	
Klemmoer	Klemmoer
Draadschijven	
	
Type 27 beschermkap	Type 27 beschermkap
	
3" draadkborstel	4" draadkborstel
Schuurschijven	
	
Rubberen steunkussen	
	
Schuurschijf	
	
Klembout met schroefdraad	

Het milieu beschermen



Gescheiden afvalinzameling. Producten en accu's waarop dit symbool is aangebracht, mogen niet bij het normale huishoudafval worden weggegooid.

EG conformiteitsverklaring
RICHTLIJN VOOR MACHINES



BEG010 Haakse slijper
Black & Decker verklaart dat de producten die worden beschreven onder 'Technische gegevens', voldoen aan:
2006/42/EC, EN 60745-1:2009 + A11:2010;
EN 60745-2-3:2011 + A2:2013 + A11:2014
+ A12:2014 + A13:2015

Deze producten voldoen ook aan richtlijn 2014/30/EU en 2011/65/EU.

Neem voor meer informatie contact op met Black & Decker op het volgende adres of raadpleeg de achterzijde van de handleiding.

Ondergetekende is verantwoordelijk voor de samenstelling van het technische bestand en legt deze verklaring af namens Black & Decker.



R. Laverick
Director of Engineering
Black & Decker Europe, 210 Bath Road, Slough,
Berkshire, SL1 3YD
Verenigd Koninkrijk
27-9-2017

Garantie

Black & Decker heeft vertrouwen in zijn producten en biedt consumenten een garantie van 24 maanden vanaf de datum van aankoop. Deze garantie vormt een aanvulling op uw wettelijke rechten en beperken deze niet. De garantie is geldig op het grondgebied van de Lidstaten van de Europese Unie en de Europese Vrijhandelszone.

Voor een garantie-aanspraak moet uw aanspraak in overeenstemming zijn met de Voorwaarden en Conditie van Black & Decker en moet u een bewijs van aankoop overleggen aan de verkoper of aan een geautoriseerde reparatiemonteur. Voorwaarden en condities van de 2-jarige garantie van Black & Decker en het adres van de vestiging van het geautoriseerde reparatiecentrum bij u in de buurt, kunt u vinden op internet op www.2helpU.com, of door contact op te nemen met het Black & Decker-kantoor ter plaatse, op het adres dat in deze handleiding wordt vermeld.

Ga naar onze website www.blackanddecker.co.uk, registreer uw nieuwe product van Black & Decker en ontvang informatie over nieuwe producten en speciale aanbiedingen.

Uso previsto

Su amoladora angular BEG010 de BLACK+DECKER ha sido diseñada para el amolado y el corte de metales y mampostería mediante el tipo de disco de corte o amolado apropiado. Con el protector adecuado, esta herramienta está destinada únicamente al uso doméstico.

Instrucciones de seguridad

Advertencias de seguridad generales para herramientas eléctricas



¡Advertencia! Lea todas las advertencias de seguridad y todas las instrucciones. En caso de no atenerse a las siguientes advertencias e instrucciones de seguridad, podría producirse una descarga eléctrica, incendio o lesión grave.

Guarde todas las advertencias e instrucciones para futuras consultas. El término "herramienta eléctrica" empleado en las advertencias a continuación hace referencia a la herramienta eléctrica con alimentación de red (con cable) o alimentada por batería (sin cable).

1. Seguridad del área de trabajo

- Mantenga limpia y bien iluminada el área de trabajo.**
Las áreas en desorden u oscuras pueden provocar accidentes.
- No utilice herramientas eléctricas en entornos con peligro de explosión, como aquellos en los que haya líquidos, gases o polvos inflamables.** Las herramientas eléctricas originan chispas que pueden inflamar el polvo o los gases.
- Mantenga alejados a los niños y otras personas del área de trabajo al emplear la herramienta eléctrica.**
Las distracciones pueden hacer que pierda el control de la herramienta.

2. Seguridad eléctrica

- El enchufe de la herramienta eléctrica debe corresponder a la toma de corriente. No modifique nunca el enchufe de ninguna forma. No utilice ningún enchufe adaptador con las herramientas eléctricas conectadas a tierra (puesta a masa).** Los enchufes no modificados y las tomas de corriente compatibles reducen el riesgo de descarga eléctrica.
- Evite que su cuerpo toque partes conectadas o puestas a tierra tales como tuberías, radiadores, cocinas y refrigeradores.** Existe un mayor riesgo de descarga eléctrica si su propio cuerpo está conectado a tierra.
- No exponga las herramientas eléctricas a la lluvia y a la humedad.**

La entrada de agua en una herramienta eléctrica aumenta el riesgo de descarga eléctrica.

- d. **Cuide el cable de alimentación. No use nunca el cable para transportar, tirar de la herramienta eléctrica o desenchufarla. Mantenga el cable alejado del calor, aceite, bordes afilados y piezas en movimiento.** Los cables dañados o enredados aumentan el riesgo de descarga eléctrica.
- e. **Al trabajar con la herramienta eléctrica en la intemperie utilice solamente cables de prolongación homologados para su uso en exteriores.** La utilización de un cable adecuado para el uso en exteriores reduce el riesgo de descarga eléctrica.
- f. **Si la utilización de una herramienta eléctrica en un lugar húmedo es inevitable, utilice una fuente protegida con un dispositivo de corriente residual (DCR).** El uso de un dispositivo de corriente residual reduce el riesgo de descarga eléctrica.

3. Seguridad personal

- a. **Esté atento a lo que hace y emplee la herramienta eléctrica con prudencia. No maneje una herramienta eléctrica cuando esté cansado o bajo los efectos de drogas, medicamentos o alcohol.** Un momento de falta de atención cuando se manejan las herramientas eléctricas puede ocasionar lesiones personales graves.
- b. **Utilice un equipo de protección personal. Utilice siempre protección ocular.** El uso del equipo protector como mascarillas antipolvo, calzado antideslizante, casco o protección auditiva para condiciones apropiadas reducirá las lesiones personales.
- c. **Impida que la herramienta se ponga en marcha accidentalmente. Asegúrese de que el interruptor se encuentre en la posición de apagado antes de conectar la herramienta a la fuente de alimentación o a la batería, o de coger o transportar la herramienta.** Transportar herramientas eléctricas con el dedo puesto en el interruptor o herramientas eléctricas activadoras que tengan el interruptor encendido puede provocar accidentes.
- d. **Retire las herramientas de ajuste o llaves fijas antes de encender la herramienta eléctrica.** Dejar una llave inglesa u otra llave puesta en una pieza en movimiento de la herramienta eléctrica puede ocasionar lesiones personales.
- e. **Sea precavido. Mantenga un equilibrio adecuado y la estabilidad constantemente.** Esto permite un mejor control de la herramienta eléctrica en situaciones inesperadas.
- f. **Lleve puesta una vestimenta de trabajo adecuada. No se ponga ropa suelta o joyas. Mantenga el cabello, la ropa y los guantes alejados de las piezas en movimiento.**

La ropa suelta, las joyas y el pelo largo pueden quedar atrapados en las piezas en movimiento.

- g. **Siempre que sea posible utilizar unos equipos de aspiración o captación de polvo, asegúrese de que estén montados y de se utilicen correctamente.** El uso de equipo de recogida de polvo puede reducir los riesgos relacionados con el polvo.
- 4. **Uso y cuidado de herramientas eléctricas**
 - a. **No sobrecargue la herramienta eléctrica. Use la herramienta eléctrica correcta para su trabajo.** La herramienta eléctrica correcta funcionará mejor y con mayor seguridad si se utiliza de acuerdo con sus características técnicas.
 - b. **No utilice la herramienta eléctrica si no se puede encender y apagar con el interruptor.** Toda herramienta eléctrica que no pueda controlarse con el interruptor es peligrosa y debe ser reparada.
 - c. **Desconecte el enchufe de la herramienta eléctrica de la fuente de alimentación y/o la batería antes de realizar cualquier ajuste, cambiar accesorios o guardar la herramienta.** Dichas medidas de seguridad preventivas reducen el riesgo de poner en marcha accidentalmente la herramienta eléctrica.
 - d. **Guarde las herramientas eléctricas fuera del alcance de los niños y no permita que la utilicen las personas no familiarizadas con su uso o con estas instrucciones.** Las herramientas eléctricas son peligrosas en manos de personas no capacitadas.
 - e. **Realice el mantenimiento de sus herramientas eléctricas.** Compruebe que las piezas móviles no estén desalineadas ni atascadas, que no haya piezas rotas y cualquier otra condición que pudiera afectar al funcionamiento de la herramienta eléctrica. Si la herramienta eléctrica está dañada, llévela para que sea reparada antes de utilizarla. Se ocasionan muchos accidentes por el mal mantenimiento de las herramientas eléctricas.
 - f. **Mantenga las herramientas de corte limpias y afiladas.** Hay menos probabilidad de que las herramientas de cortar con bordes afilados se bloqueen, y son más fáciles de controlar.
 - g. **Utilice la herramienta eléctrica, los accesorios, los útiles de la herramienta, etc. de acuerdo con estas instrucciones, y tenga en cuenta las condiciones de trabajo y la tarea que va a realizar.** El uso de la herramienta eléctrica para operaciones que no sean las previstas puede ocasionar una situación peligrosa.

5. Reparaciones

- a. Esta herramienta eléctrica solo la puede reparar personal técnico autorizado que emplee exclusivamente piezas de repuesto originales. Así se asegurará que se mantenga la seguridad de la herramienta eléctrica.

Advertencias de seguridad adicionales para herramientas eléctricas



¡Advertencia! Advertencias de seguridad adicionales para operaciones de amolado, lijado, cepillado metálico o corte abrasivo:

- ◆ Esta herramienta eléctrica se ha diseñado para utilizarse como amoladora, lijadora, cepilladora metálica, pulidora o herramienta de corte. Lea todas las advertencias de seguridad, instrucciones, ilustraciones y especificaciones suministradas con esta herramienta eléctrica. El incumplimiento de las instrucciones que se indican a continuación puede causar descargas eléctricas, incendios y/o lesiones graves.
 - ◆ Su uso en operaciones para las que la herramienta no ha sido diseñada puede ser peligroso y causar lesiones corporales.
 - ◆ No utilice accesorios que no estén diseñados y recomendados específicamente por el fabricante de la herramienta. El hecho de que el accesorio pueda acoplarse a la herramienta eléctrica no garantiza un funcionamiento sin riesgos.
 - ◆ La velocidad nominal del accesorio debe ser al menos igual a la velocidad máxima marcada en la herramienta eléctrica. Los accesorios que funcionen más rápido que su velocidad prevista pueden romperse y salir volando.
 - ◆ El diámetro exterior y el grosor de su accesorio deben encontrarse dentro de los límites de capacidad especificada de su herramienta eléctrica. Los accesorios con un tamaño incorrecto no pueden protegerse o controlarse adecuadamente.
 - ◆ El montaje con rosca de los accesorios debe coincidir con la rosca de eje de la amoladora. Para los accesorios instalados por bridas, el orificio del eje del accesorio debe adaptarse al diámetro de la brida. Los accesorios que no se corresponden con las piezas de montaje de la herramienta eléctrica se desequilibrarán, vibrarán excesivamente y pueden causar pérdida de control.
 - ◆ No utilice un accesorio dañado. Antes de cada uso compruebe si los discos abrasivos presentan muescas o grietas, si las bases de apoyo presentan grietas, rajas o desgaste excesivo o si el cepillo de metal tiene alambres sueltos o quebrados.
- Si la herramienta eléctrica o un accesorio se caen, compruebe que no estén dañados y, en su caso, instale un accesorio no dañado. Después de inspeccionar e instalar un accesorio, haga funcionar la herramienta eléctrica a la velocidad sin carga máxima durante un minuto. Por lo general, los accesorios dañados se rompen durante la prueba.
- ◆ Lleve un equipo de protección personal. Dependiendo de la aplicación, use un protector facial y gafas protectoras. Si corresponde, póngase una mascarilla antipolvo, protectores para el oído, guantes y un delantal de trabajo que pueda detener pequeños fragmentos abrasivos o de la pieza de trabajo. La protección ocular debe poder detener las partículas volantes que se producen con varias operaciones. La mascarilla contra el polvo o respirador debe ser capaz de filtrar las partículas generadas por las distintas operaciones. La exposición prolongada al ruido de intensidad elevada puede causar pérdida auditiva.
 - ◆ Mantenga a otras personas a una distancia segura de la zona de trabajo. Todos los que entren al área de trabajo deben llevar puesto un equipo de protección personal. Los fragmentos de una pieza de trabajo o de un accesorio roto pueden salir volando y ocasionar una lesión más allá del área inmediata de operación.
 - ◆ Sujete la herramienta eléctrica únicamente por la superficie de agarre aislada cuando realice una operación en la que el accesorio de corte pueda entrar en contacto con cableado oculto o con su propio cable. El corte de un accesorio que entre en contacto con un cable cargado, puede cargar las partes metálicas expuestas de la herramienta eléctrica y producir una descarga eléctrica al operador.
 - ◆ Utilice fijaciones o cualquier otro método para fijar y apoyar la pieza de trabajo en una plataforma estable. Si sostiene la pieza de trabajo con las manos o con su cuerpo, esta estará inestable y podrá hacer que usted pierda el control.
 - ◆ Coloque el cable lejos del accesorio que gira. Si pierde el control, el cable puede cortarse o engancharse y puede arrastrar a la mano o el brazo hacia el accesorio giratorio.
 - ◆ Nunca suelte la herramienta eléctrica hasta si el accesorio no se ha detenido por completo. El accesorio giratorio puede agarrarse a la superficie y hacer que usted pierda el control de la herramienta.
 - ◆ No ponga en funcionamiento la herramienta eléctrica mientras la lleva a un lado. El contacto accidental con el accesorio giratorio podría hacer que se enganche la ropa y que el accesorio le toque el cuerpo.
 - ◆ Limpie con regularidad los orificios de ventilación de la herramienta eléctrica.

El ventilador del motor atraerá el polvo dentro de la caja protectora y la acumulación excesiva del metal en polvo puede ocasionar riesgos eléctricos.

- ◆ **No utilice la herramienta eléctrica cerca de materiales inflamables.** Las chispas pueden encender estos materiales.
- ◆ **No utilice accesorios que requieran refrigerantes líquidos.** El utilizar agua u otros refrigerantes líquidos puede ocasionar electrocución o descarga.

Nota: La advertencia anterior no afecta a las herramientas eléctricas diseñadas específicamente para ser utilizadas con un sistema de líquidos.

Retroceso y advertencias relacionadas

El rebote es una reacción repentina al quedar enganchados o atrapados un disco giratorio, una base de apoyo, un cepillo o cualquier otro accesorio. El enganche o atrapamiento hace que el accesorio giratorio se paralice rápidamente, lo que a su vez puede provocar que la herramienta eléctrica sin control funcione en dirección opuesta a la rotación del accesorio en el punto de bloqueo.

Por ejemplo, si un disco abrasivo se engancha o queda presionado por la pieza de trabajo, el borde del disco que entra en el punto de presión puede incrustarse en la superficie del material ocasionando que el disco se salga o se trabé. El disco puede saltar hacia el usuario o en otra dirección, dependiendo de la dirección del movimiento del disco en el punto de enganche. Los discos abrasivos también pueden romperse en estas condiciones.

El retroceso se debe a la utilización inadecuada o a procedimientos o condiciones de trabajo incorrectos y puede evitarse tomando las precauciones que se detallan a continuación.

- ◆ **Sujete firmemente la empuñadura de la herramienta eléctrica y coloque el cuerpo y el brazo de modo que pueda soportar las fuerzas de retroceso. Utilice siempre una empuñadura auxiliar, si se incluye, para obtener un máximo control sobre el retroceso o reacción de torsión durante el arranque.** Si se toman las precauciones adecuadas, el usuario puede controlar las reacciones de torsión o retrocesos.
- ◆ **Nunca coloque la mano cerca de un accesorio que gire.** El accesorio podría retroceder hacia su mano.
- ◆ **No ponga el cuerpo en la zona en la que la herramienta eléctrica se moverá si se produce un retroceso.** El retroceso hará que la herramienta se vea empujada en dirección opuesta al movimiento del disco en el punto de enganche.
- ◆ **Tenga especial cuidado cuando trabaje en esquinas, bordes afilados, etc. Evite que el accesorio rebote o se enganche.**

Las esquinas, los bordes afilados o los rebotes suelen enganchar el accesorio en movimiento y ocasionar pérdida de control o tensión de retroceso.

- ◆ **No coloque una hoja de desbastar de motosierra ni una hoja de sierra dentada.** Dichas hojas ocasionan frecuentes rebotes y pérdida de control.

Advertencias de seguridad específicas para operaciones de amolado y de corte abrasivo

- ◆ **Utilice solo los tipos de discos recomendados para su herramienta eléctrica y el protector específico diseñado para el disco seleccionado.** Los discos que no han sido diseñados para la herramienta eléctrica no pueden protegerse adecuadamente y no son seguros.
- ◆ **La superficie de amolado de los discos oprimidos por el centro debe montarse por debajo del plano del borde protector.** Un disco instalado incorrectamente que se proyecta fuera del plano del borde del protector no puede protegerse correctamente.
- ◆ **El protector debe acoplarse de forma segura a la herramienta eléctrica y colocarse para ofrecer la máxima seguridad posible, de tal forma que quede la menor cantidad de disco expuesta hacia usuario.** El protector ayuda a proteger al operador de fragmentos de disco roto y del contacto accidental con el disco y las chispas que podrían incendiar la ropa.
- ◆ **Los discos se deben utilizar únicamente para los usos recomendados. Por ejemplo, no amole con el lado de un disco de corte.** Los discos de corte abrasivo están previstos para el amolado periférico, y si se aplican fuerzas laterales a estos discos pueden causar la rotura de los mismos.
- ◆ **Utilice siempre bridas de discos que no estén dañadas y con el tamaño y forma correctos para el disco seleccionado.** Las bridas de disco apropiadas sirven de soporte para el disco, reduciendo así la posibilidad de rotura del mismo. Las bridas de los discos de corte pueden ser diferentes de las bridas de los discos para amolado.
- ◆ **No utilice discos desgastados de herramientas eléctricas de mayor tamaño.** Un disco diseñado para una herramienta eléctrica más grande no es adecuado para la mayor velocidad de una herramienta más pequeña y puede explotar.

Advertencias de seguridad adicionales para operaciones de corte abrasivas

- ◆ **No "atasque" el disco de corte ni aplique una presión excesiva sobre el mismo. No intente hacer un corte de profundidad excesiva.** Una presión excesiva sobre el disco puede aumentar la carga y la posibilidad de que el disco se doble o se bloquee durante el corte, además de aumentar la probabilidad de que se produzcan retrocesos o roturas del disco.

- ◆ **No ponga el cuerpo en línea con el disco giratorio ni detrás de él.** Durante el funcionamiento, cuando el disco se aleje de su cuerpo, un posible retroceso podría impulsar el disco giratorio y la herramienta eléctrica directamente hacia usted.
- ◆ **Si el disco se atasca o si, por algún motivo, se interrumpe el corte, desconecte la herramienta eléctrica y no la mueva hasta que el disco se haya detenido por completo. No intente nunca sacar del corte el disco de corte mientras este esté en movimiento, de lo contrario puede ocurrir un rebote.** Investigue y tome medidas correctivas para eliminar la causa del trabado del disco.
- ◆ **No reinicie la operación de corte en la pieza de trabajo. Espere a que el disco alcance la velocidad máxima y vuelva a introducirlo en el corte con cuidado.** El disco puede bloquearse, saltar o rebotar si la herramienta eléctrica vuelve a ponerse en marcha en la pieza de trabajo.
- ◆ **Sujete los paneles o cualquier pieza de trabajo de grandes dimensiones con el fin de minimizar el riesgo de que el disco se contraiga y retroceda.** Las piezas de trabajo grandes tienden a hundirse por su propio peso. Se deben colocar soportes bajo la pieza de trabajo cerca de la línea de corte y cerca del borde de la pieza de trabajo a ambos lados del disco.
- ◆ **Adopte medidas de precaución extraordinarias cuando efectúe un "corte de cavidad" en muros u otras áreas invisibles.** Si el disco sobresale puede cortar las tuberías de gas o de agua, la instalación eléctrica u objetos que pueden ocasionar un rebote.

Advertencias de seguridad específicas para operaciones de lijado

- ◆ **No utilice papel de lija demasiado grande para el disco. Siga las recomendaciones del fabricante a la hora de seleccionar el papel de lija.** El papel de lija grande que sobresalga del disco de lijado presenta un riesgo de laceración y puede ocasionar el enganche o rotura del disco o un rebote.

Advertencias de seguridad específicas para operaciones de cepillado metálico

- ◆ **Tenga en cuenta que el cepillo expulsa cerdas metálicas incluso durante las operaciones normales. No ejerza demasiada presión en los alambres aplicando una carga excesiva a la escobilla.** Las cerdas de alambre pueden penetrar fácilmente la ropa ligera o la piel.
- ◆ **Si es recomendable el uso de un protector para el cepillo metálico, no permita que dicho protector interfiera con el cepillo o el disco de alambre.**

El disco o el cepillo de alambre pueden expandir su diámetro debido a la carga de trabajo y a los movimientos centrifugos.

Seguridad de otras personas

- ◆ Este aparato no está destinado al uso por parte de personas (incluyendo los niños) con capacidades físicas, sensoriales o mentales reducidas, o que carezcan de experiencia o del conocimiento necesario, a menos que estén supervisadas o reciban las instrucciones relativas al uso del aparato por una persona encargada de su seguridad.
- ◆ Los niños deben estar siempre vigilados para asegurarse de que no juegan con el aparato.

Riesgos residuales

El uso de esta herramienta puede producir riesgos residuales adicionales no incluidos en las advertencias de seguridad adjuntas.

Estos riesgos se pueden generar por un uso incorrecto, demasiado prolongado, etc.

El cumplimiento de las normas de seguridad correspondientes y el uso de dispositivos de seguridad no evitan ciertos riesgos residuales. Dichos riesgos incluyen:

- ◆ Lesiones producidas por el contacto con piezas móviles o giratorias.
- ◆ Lesiones causadas al cambiar piezas, hojas o accesorios.
- ◆ Lesiones causadas por el uso prolongado de una herramienta. Si utiliza una herramienta durante períodos de tiempo demasiado prolongados, asegúrese de realizar pausas con frecuencia.
- ◆ Deterioro auditivo.
- ◆ Riesgos para la salud causados por la respiración del polvo generado por el uso de la herramienta (por ejemplo, al trabajar con madera, especialmente roble, haya, tablero semiduro de fibras y cuarzo en polvo de hormigón).

Vibración

Los valores de emisión de vibraciones declarados en el apartado de características técnicas y en la declaración de conformidad se han calculado según un método de prueba estándar proporcionado por la norma EN 60745 y podrán utilizarse para comparar una herramienta con otra. El valor de emisión de vibraciones especificado también puede utilizarse en una evaluación preliminar de la exposición.

¡Advertencia! El valor de emisión de vibraciones durante el funcionamiento real de la herramienta eléctrica puede diferir del valor declarado en función de cómo se utilice dicha herramienta. El nivel de las vibraciones puede aumentar por encima del nivel declarado.

Al evaluar la exposición a las vibraciones con el fin de determinar las medidas de seguridad que exige la directiva 2002/44/CE para proteger a las personas que utilizan periódicamente herramientas eléctricas en el entorno laboral, deberá tenerse en cuenta una estimación de la exposición a las vibraciones, las condiciones de uso reales y el modo de empleo de la herramienta, así como los pasos del ciclo operativo como, por ejemplo, el número de veces que la herramienta se apaga, el tiempo que está parada y el tiempo de activación.

Etiquetas en la herramienta

Los siguientes pictogramas están colocados, junto al código, en la herramienta:



¡Advertencia! Para reducir el riesgo de lesiones, el usuario debe leer el manual de instrucciones.



Quando utilice la herramienta, lleve siempre gafas protectoras.



Quando utilice la herramienta, utilice siempre protección para los oídos

Seguridad eléctrica



El cargador presenta un aislamiento doble; por lo tanto, no se requiere conexión a tierra.

Compruebe siempre que el voltaje de la red eléctrica corresponda al voltaje de la placa de características.

- ◆ Si el cable de alimentación se daña, deberá ser sustituido por el fabricante o un centro de servicio técnico autorizado de BLACK+DECKER para evitar riesgos.

Caídas de tensión

Las corrientes interruptoras provocan caídas de tensión de corta duración. En condiciones de suministro de alimentación desfavorables, es posible que otros equipos se vean afectados.

Si la impedancia del sistema de suministro de alimentación es inferior a 0,107 Ω, es poco probable que se produzcan perturbaciones.

Características

Esta herramienta incluye parte o la totalidad de estas características.

1. Interruptor de encendido/apagado
2. Bloqueo del eje
3. Protector
4. Empuñadura lateral

Montaje

¡Advertencia! Antes de proceder al montaje, compruebe que la herramienta está apagada y desenchufada.

Colocación y extracción del protector (fig. A1, A2)

La herramienta se suministra con un protector que está especialmente diseñado para realizar trabajos de amolado (tipo 27). Si la unidad está diseñada para realizar trabajos de corte, debe incluir un protector específico para este trabajo (tipo 41). En los centros de servicio técnico de BLACK+DECKER pueden conseguirse números de pieza adecuados N642463 (para un disco de corte de 115 mm).

- ◆ Coloque la herramienta encima de una mesa con el eje (5) mirando hacia arriba.
- ◆ Alinee los salientes (7) con las muescas (8).
- ◆ Pulse el protector hacia abajo y gírelo en sentido horario hasta la posición requerida.
- ◆ Apriete el tornillo (6) para fijarlo al protector.

Extracción

- ◆ Afloje el tornillo (6).
- ◆ Gire el protector en sentido antihorario para alinear los salientes (7) con las muescas (8).
- ◆ Retire el protector de la herramienta.

¡Advertencia! Nunca utilice la herramienta sin el protector.

Colocación de la empuñadura lateral

- ◆ Atomille la empuñadura lateral (4) en uno de los orificios de montaje de la herramienta.

¡Advertencia! Utilice siempre la empuñadura lateral.

Colocación y extracción de los discos de amolado (fig. B - D)

Utilice siempre el tipo de disco adecuado para cada aplicación. Utilice siempre discos con el diámetro y tamaño del diámetro interior adecuados (consulte la ficha técnica).

Colocación

- ◆ Coloque el protector como se ha descrito anteriormente.
- ◆ Coloque la brida interior (10) en el eje (5) tal y como se indica (fig. B). Asegúrese de que la brida está colocada correctamente en las superficies planas del eje.
- ◆ Coloque el disco (11) en el eje (5) tal y como se indica (fig. B). Si el disco tiene un centro que sobresale (12), asegúrese de que dicho centro está orientado hacia la brida interior.
- ◆ Asegúrese de que el disco está colocado correctamente en la brida interior.
- ◆ Coloque la brida exterior (13) en el eje. Cuando se coloca un disco de amolado, el centro que sobresale de la brida exterior debe estar orientado hacia el disco (A en fig. C).

Cuando se coloca un disco de corte, el centro elevado en la brida exterior debe estar orientado en dirección hacia el exterior del disco (B en fig. C).

- ◆ Mantenga presionado el bloqueo del eje (2) y apriete la brida exterior utilizando la llave de dos pivotes (14) (fig. D).

Extracción

- ◆ Mantenga presionado el bloqueo del eje (2) y suelte la brida exterior (13) utilizando la llave de dos pivotes (14) (fig. D).
- ◆ Extraiga la brida exterior (13) y el disco (11).

Amolado de superficies con discos para amolar

- ◆ Deje que la herramienta alcance la velocidad máxima antes de ponerla en contacto con la superficie de trabajo.
- ◆ Aplique una presión mínima en la superficie de trabajo, permitiendo que la herramienta pueda operar a la mayor velocidad. La velocidad de amolado será mayor cuando la herramienta opere a mayor velocidad.
- ◆ Mantenga un ángulo de entre 20 y 30 grados entre la herramienta y la superficie de trabajo, como se muestra en la figura F.
- ◆ Mueva continuamente la herramienta con un movimiento hacia delante y hacia atrás para evitar que se creen estrías en la superficie de trabajo.
- ◆ Separe la herramienta de la superficie de trabajo antes de apagarla. Espere a que la herramienta deje de girar antes de apoyarla.

Amolado de bordes con discos para amolar

Los discos que se utilizan para cortar y amolar bordes podrían romperse o rebotar si se doblan o se giran mientras se utiliza la herramienta para realizar tareas de corte o amolado profundo. El corte o amolado de bordes con el disco de tipo 27 debe limitarse a los cortes superficiales y entalladuras de menos de 13 mm de profundidad cuando el disco es nuevo. Reduzca la profundidad de corte o entalladura proporcionalmente a la reducción del radio del disco a medida que se desgasta. Consulte el capítulo 'Accesorio de amolado y corte' al final de este manual para más información. El corte o amolado de bordes con el disco de tipo 41 requiere el uso de un protector de tipo 41.

- ◆ Deje que la herramienta alcance la velocidad máxima antes de ponerla en contacto con la superficie de trabajo.
- ◆ Aplique una presión mínima en la superficie de trabajo, permitiendo que la herramienta pueda operar a la mayor velocidad. La velocidad de amolado será mayor cuando la herramienta opere a mayor velocidad.
- ◆ Colóquese de forma que la parte inferior abierta del disco esté dirigida en sentido contrario a usted.
- ◆ Una vez que empiece el corte y se haga un corte en la pieza de trabajo, no cambie el ángulo de corte.

Si cambia el ángulo, el disco se doblará y es posible que se parta.

Los discos para amolado de bordes no han sido diseñados para soportar presiones laterales causadas por doblados.

- ◆ Retire la herramienta de la superficie de trabajo antes de apagarla. Espere a que la herramienta deje de girar antes de apoyarla.

¡Advertencia! No utilice discos de corte/amolado de bordes para las aplicaciones de amolado superficial si en la etiqueta del disco se prohíbe tal uso pues dichos discos no han sido concebidos para soportar las presiones laterales derivadas del amolado de superficies. El disco podría romperse y causar lesiones personales graves.

Colocación y extracción de los discos de lijado (figs. D y E)

Para el lijado es necesaria una base de apoyo. La base de apoyo está disponible en su distribuidor de BLACK+DECKER como accesorio.

Colocación

- ◆ Coloque la brida interior (10) en el eje (5) tal y como se indica (fig. E). Asegúrese de que la brida está colocada correctamente en las superficies planas del eje.
- ◆ Coloque la base de apoyo (15) en el eje.
- ◆ Coloque el disco de lijado (16) sobre la base de apoyo.
- ◆ Coloque la brida exterior (13) en el eje, con el centro que sobresale en dirección hacia el exterior del disco.
- ◆ Mantenga presionado el bloqueo del eje (2) y apriete la brida exterior utilizando la llave de dos pivotes (14) (fig. D). Asegúrese de que la brida exterior está colocada correctamente y que el disco está sujeto firmemente.

Extracción

- ◆ Mantenga presionado el bloqueo del eje (2) y suelte la brida exterior (13) utilizando la llave de dos pivotes (14) (fig. D).
- ◆ Extraiga la brida exterior (13), el disco de lijado (16) y la base de apoyo (15).

Acabado de superficies con discos de lijado

- ◆ Deje que la herramienta alcance la velocidad máxima antes de ponerla en contacto con la superficie de trabajo.
- ◆ Aplique una presión mínima en la superficie de trabajo para que la herramienta pueda funcionar a mayor velocidad. La velocidad de lijado será mayor cuando la herramienta opere a mayor velocidad.
- ◆ Mantenga un ángulo de 5° a 10° entre la herramienta y la superficie de trabajo, como se muestra en la figura G.
- ◆ Mueva continuamente la herramienta con un movimiento hacia delante y hacia atrás para evitar que se creen estrías en la superficie de trabajo.

- ◆ Separe la herramienta de la superficie de trabajo antes de apagarla. Espere a que la herramienta deje de girar antes de apoyarla.

Utilización de las bases de apoyo de lijado

Elija los discos de lijado de grano adecuado para su aplicación. Los discos de lijado se encuentran disponibles con varios granos. Los granos más gruesos remueven más rápido el material y dan un acabado más rústico. Los granos más finos remueven más lentamente el material y dan un acabado más fino.

Empiece con discos de grano duro para retirar el material de forma rápida y rústica. Cambie a una lija de grano mediano y termine con un disco de grano fino para lograr un acabado óptimo.

- ◆ Gruesa = grano 16 - 30
- ◆ Media = grano 36 - 80
- ◆ Acabado fino = grano 100 - 120
- ◆ Acabado muy fino = grano 150 - 180
- ◆ Deje que la herramienta alcance la velocidad máxima antes de ponerla en contacto con la superficie de trabajo.
- ◆ Aplique una presión mínima en la superficie de trabajo para que la herramienta pueda funcionar a mayor velocidad. La velocidad de lijado será mayor cuando la herramienta opere a mayor velocidad.
- ◆ Mantenga un ángulo de 5° a 10° entre la herramienta y la superficie de trabajo, como se muestra en la figura H. El disco de lijado debe tocar aproximadamente 25 mm de la superficie de trabajo.
- ◆ Mueva la herramienta constantemente en línea recta para evitar que la superficie de trabajo se queme o se arremoline. Si deja que la herramienta permanezca en la superficie de trabajo sin moverla o si mueve la herramienta de forma circular, provocará quemaduras y torcidos en la superficie de trabajo.
- ◆ Separe la herramienta de la superficie de trabajo antes de apagarla. Espere a que la herramienta deje de girar antes de apoyarla.

Precauciones a adoptar al lijar pintura

- ◆ El lijado de pintura a base de plomo **NO SE RECOMIENDA** debido a la dificultad de controlar el polvo contaminado. Los niños y las mujeres embarazadas están más expuestos al riesgo de intoxicación por plomo.
- ◆ Como resulta difícil saber si una pintura contiene plomo o no sin realizar análisis químicos, le aconsejamos que adopte las siguientes precauciones a la hora de lijar cualquier pintura:
 - ◆ Los niños y las mujeres embarazadas no deben acceder a la zona de trabajo mientras se realice el lijado de pintura y hasta que no se haya finalizado la limpieza completa de la misma.

- ◆ Todas las personas que accedan a la zona de trabajo deberán llevar una máscara de protección antipolvo o un respirador. El filtro deberá sustituirse a diario o cuando resulte difícil respirar.

Nota: Tan sólo deberá utilizar las máscaras antipolvo adecuadas para trabajar con polvo y humos derivados de la pintura a base de plomo. Las máscaras de pintura ordinarias no ofrecen esta protección. Acuda a su ferretería local para dotarse de la protección respiratoria adecuada.

- ◆ **NO INGIERA ALIMENTOS O BEBIDAS NI FUME** en la zona de trabajo, para evitar ingerir partículas contaminadas con pintura. Los trabajadores deberán lavarse y limpiarse **ANTES** de comer, beber o fumar. Los artículos de comidas, bebidas o tabaco no deberán dejarse en la zona de trabajo ya que podrá depositarse polvo en los mismos.
- ◆ Deberá retirar la pintura de forma que reduzca al máximo la cantidad de polvo generado.
- ◆ Las zonas en las que se retire la pintura deberán sellarse con hojas de plástico de 4 mils de espesor.
- ◆ El lijado deberá realizarse de tal forma que se reduzca el arrastre de polvo de pintura fuera de la zona de trabajo.
- ◆ Todas las superficies de la zona de trabajo deberán ser aspiradas y limpiadas a fondo a diario mientras dure el proyecto de lijado. Las bolsas de filtros de aspiradoras deberán cambiarse frecuentemente.
- ◆ Los protectores de plástico deberán recogerse y tirarse junto con cualquier otro resto de polvo u otros residuos de la eliminación. Deberán colocarse en recipientes de desecho sellados y eliminarse utilizando los procedimientos de recogida de residuo habituales. Durante la limpieza, los niños y las mujeres embarazadas deberán mantenerse alejados de la zona de trabajo.
- ◆ Todos los juguetes, muebles y utensilios lavables utilizados por los niños deberán limpiarse completamente antes de volver a ser utilizados.

Colocación y uso de los cepillos y discos de alambre

Los cepillos de alambre tipo taza o los discos de alambre se atornillan directamente en el eje de la amoladora sin usar bridas. b. Se requiere un protector de Tipo 27 cuando se usan cepillos y discos de alambre. Lleve guantes de trabajo cuando manipule cepillos y discos metálicos. Pueden estar afiladas. El disco o el cepillo no deben tocar el protector cuando se instalan o cuando están en uso. Pueden producirse daños no detectables en el accesorio que causen la rotura de los alambres del disco o del accesorio.

- ◆ Enrosque el disco en el eje con la mano.

- ◆ Pulse el botón de bloqueo del eje y utilice una llave en el centro del disco metálico o del cepillo para apretar el disco.
- ◆ Para retirar el disco, siga en sentido inverso las instrucciones anteriores.

¡Advertencia! Si el núcleo del disco no se asienta correctamente antes de encender la herramienta, pueden producirse daños en la herramienta y el disco. Los discos y cepillos metálicos pueden utilizarse para retirar óxido, sarro y pintura, y para uniformar las superficies irregulares.

Nota: Deben tomarse las mismas precauciones al retirar la pintura con cepillo de alambre que al lijarla.

- ◆ Deje que la herramienta alcance la velocidad máxima antes de ponerla en contacto con la superficie de trabajo.
- ◆ Aplique una presión mínima en la superficie de trabajo para que la herramienta pueda funcionar a mayor velocidad. La velocidad de retirada del material será mayor cuando la herramienta opere a mayor velocidad.
- ◆ Mantenga un ángulo de 5° a 10° entre la herramienta y la superficie de trabajo para cepillos de alambre tipo taza, como se muestra en la figura I.
- ◆ Mantenga el contacto entre el borde del disco y la superficie de trabajo con discos metálicos.
- ◆ Mueva continuamente la herramienta con un movimiento hacia delante y hacia atrás para evitar que se creen estrías en la superficie de trabajo.

Si deja que la herramienta permanezca en la superficie de trabajo sin moverla o si mueve la herramienta de forma circular, provocará quemaduras y torcidos en la superficie de trabajo.

- ◆ Retire la herramienta de la superficie de trabajo antes de apagarla. Deje que la herramienta deje de rotar antes de colocarla a un lado.

¡Advertencia! Preste especial atención cuando opere sobre un borde, ya que podrá registrar un movimiento repentino y afilado de la amoladora.

Montaje y uso de los discos de corte (tipo 41)

Los discos de corte incluyen discos de diamante y discos abrasivos. Se encuentran disponibles discos de corte abrasivo para metales y hormigón. También pueden utilizarse cuchillas de diamante para el corte de hormigón.

NOTA: Cuando utilice discos de corte, necesitará un protector de disco de corte de dos caras y cerrado de tipo 41 que se vende por separado. Si no utiliza la brida adecuada y el protector adecuado, pueden causarse lesiones por la rotura del disco y el contacto con el disco. Para los discos de corte deberá utilizar una brida de apoyo y una tuerca de fijación roscada (incluida con la herramienta) que coincidan.

Montaje del protector cerrado (tipo 41) (fig. J, K)

- ◆ Alinee los tres salientes del protector con las tres ranuras del núcleo.

Así alineará los salientes con las ranuras ubicadas de la cubierta de la caja de transmisión como se muestra en la figura J.

- ◆ Empuje el protector hacia abajo hasta que el saliente del protector se introduzca en la ranura del núcleo de engranaje.
- ◆ Gire el protector en sentido horario para bloquearlo en su posición.
- ◆ El cuerpo del protector deberá estar ubicado entre el eje y el operador, para ofrecer la máxima protección al operador.
- ◆ Apriete el tornillo del pasador del protector para fijar el protector en la cubierta del engranaje. Debe poder girar el protector a mano. No utilice la amoladora si tiene el protector flojo.
- ◆ Para extraer el protector, afloje el tornillo del pasador del protector. A continuación, gire el protector para que los tres salientes del protector queden alineados con las tres ranuras del núcleo, y tire del protector.

Montaje de discos de corte

- ◆ Coloque la brida de apoyo sin rosca en el eje con la sección que sobresale (piloto) mirando hacia arriba. La sección que sobresale (piloto) de la brida de apoyo deberá estar contra el disco cuando este se instale.
- ◆ Coloque el disco en la brida de apoyo, centrándolo en la sección que sobresale (piloto).
- ◆ Coloque la tuerca de fijación roscada con la sección que sobresale (piloto) mirando en sentido contrario al disco.
- ◆ Pulse el botón de bloqueo del eje y apriete la tuerca de fijación con la llave incluida.
- ◆ Para sacar el disco, pulse el botón de bloqueo del eje y afloje la tuerca de fijación roscada con la llave suministrada.

¡Advertencia! No utilice discos de corte/amolado de bordes para las aplicaciones de amolado superficial, ya que dichos discos no han sido diseñados para soportar presiones laterales derivadas del corte de superficie. Pueden producirse roturas de los discos y daños personales.

- ◆ Deje que la herramienta alcance la velocidad máxima antes de ponerla en contacto con la superficie de trabajo.
- ◆ Aplique una presión mínima a la superficie de trabajo para que la herramienta pueda funcionar a mayor velocidad. La velocidad de corte será mayor cuando la herramienta opere a mayor velocidad.
- ◆ Una vez que empiece el corte y se haga un corte en la pieza de trabajo, no cambie el ángulo de corte. Si cambia el ángulo, el disco se doblará y es posible que se parta.
- ◆ Separe la herramienta de la superficie de trabajo antes de apagarla. Deje que la herramienta deje de rotar antes de colocarla a un lado.

Uso

¡Advertencia! Deje que la herramienta funcione a su ritmo. No la sobrecargue.

- ◆ Guíe el cable con cuidado para evitar cortarlo accidentalmente.
- ◆ Tenga en cuenta que se pueden producir chispas cuando el disco de amolado o de corte entre en contacto con la pieza de trabajo.
- ◆ Coloque siempre la herramienta de tal forma que el protector proporcione la máxima protección del disco de amolado o de corte.

Encendido y apagado

- ◆ Para encender la herramienta, pulse el interruptor de encendido/apagado (1).
- ◆ Para apagar la herramienta, libere el interruptor de encendido/apagado (1).

¡Advertencia! No apague la herramienta cuando esta tenga carga.

Consejos para un uso óptimo

- ◆ **Sujete firmemente la herramienta con una mano alrededor de la empuñadura lateral y con la otra mano alrededor de la empuñadura principal.**
- ◆ Al amolar, mantenga siempre un ángulo de aproximadamente 15° entre el disco y la superficie de la pieza de trabajo.

Mantenimiento

Su aparato o herramienta con o sin cable de BLACK+DECKER ha sido diseñada para funcionar durante un largo período de tiempo con un mantenimiento mínimo. El funcionamiento satisfactorio y continuo depende del buen cuidado de la herramienta y de una limpieza frecuente.

¡Advertencia! Antes de realizar el mantenimiento de herramientas eléctricas con o sin cables:

- ◆ Apague y desenchufe el aparato/herramienta.
- ◆ O bien, apague y extraiga la batería del aparato/herramienta en caso de que disponga de una batería independiente.
- ◆ O bien deje que la batería se agote por completo, si es en una pieza, y, a continuación, apague el aparato.
- ◆ Desenchufe el cargador antes de limpiarlo. El cargador no requiere ningún mantenimiento especial excepto la limpieza periódica.
- ◆ Limpie periódicamente las ranuras de ventilación de la herramienta/aparato/cargador con un cepillo suave o un paño seco.
- ◆ Limpie periódicamente la carcasa del motor con un paño húmedo. No utilice limpiadores abrasivos o a base de disolventes.

- ◆ Abra regularmente la boquilla y golpéela suavemente para eliminar los restos de polvo que haya en su interior (si se encuentra colocado).

Sustitución del enchufe de alimentación principal (solo Irlanda y Reino Unido)

Si debe colocar un nuevo enchufe de red:

- ◆ Tire el enchufe viejo según las normas de seguridad.
- ◆ Conecte el cable marrón al terminal conductor del nuevo enchufe.
- ◆ Conecte el cable azul al terminal neutro.

¡Advertencia! No deberá realizar ninguna conexión al terminal de tierra.



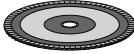
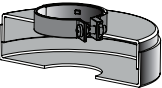



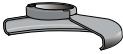
Siga las instrucciones de colocación suministradas con enchufes de buena calidad. Fusible recomendado: 13 A.




Resolución de problemas

Problema	Causa posible	Posible solución
La unidad no arranca.	Cable no enchufado. El cable o el interruptor están dañados.	Enchufe la herramienta en una toma de corriente que funcione. Haga sustituir el cable o el interruptor en un centro de servicios autorizado de BLACK+DECKER.

Tabla de accesorios de corte y amolado

Discos de amolado	
 Protector tipo 27	 Protector tipo 27
 Brida de apoyo sin rosca	 Disco con núcleo tipo 27
 Disco con centro hundido de tipo 27	
 Tuerca de fijación roscada	

Discos de lijar de láminas	
 Protector tipo 27	 Protector tipo 27
 Disco de hoja con núcleo para lijar	 Brida de apoyo sin rosca
	 Disco de hoja sin núcleo para lijar
	 Tuerca de fijación roscada
Discos de corte de tipo 41	
 Protector tipo 41	 Protector tipo 41
 Brida de apoyo	 Brida de apoyo
 Disco de corte abrasivo	 Disco de corte de diamante
 Tuerca de fijación	 Tuerca de fijación
Discos de alambre	
 Protector tipo 27	 Protector tipo 27
 Cepillo de alambre tipo taza de 3 pulg	 Cepillo de alambre tipo taza de 4 pulg

Discos de lijado
 Base de apoyo de goma
 Disco de lijado
 Tuerca de fijación roscada

Protección del medio ambiente



Recogida selectiva. Los productos y las baterías marcadas con este símbolo no se deben eliminar con los residuos domésticos normales.

Los productos y las baterías que contienen materiales que se puedan recuperar o reciclar reducen la demanda de materias primas.

Recicle los productos eléctricos y las baterías de conformidad con la normativa local. Puede obtener más información en www.2helpU.com

Datos técnicos

BEG010 Tipo 1		
Voltaje de entrada	V_{CA}	230
Potencia de entrada	W	710
Velocidad nominal	min^{-1}	12000
Diámetro interior del disco	mm	22

Espesor máximo del disco		
	mm	6
Discos de corte	mm	3,5
Tamaño del eje		M14
Peso	Kg	1,7

Nivel de presión acústica conforme a la norma EN 60745:

Presión acústica (L_{pA}) de 89 dB(A), incertidumbre (K) de 3 dB(A)

Potencia acústica (L_{WA}) 100 dB(A), Incertidumbre (K) 3 dB(A)

Valores totales de vibración (suma vectorial triaxial) de acuerdo con la directiva EN 60745:

Amolado de superficies ($a_{h,G}$) 5,1 m/s², incertidumbre (K) de 1,5 m/s²

Corte ($a_{h,CC}$) de 4,8 m/s², incertidumbre (K) de 1,5 m/s²

Lijado con disco ($a_{h,DS}$) de 6,6 m/s², incertidumbre (K) de 1,5 m/s²

Declaración de conformidad CE
DIRECTIVA DE MÁQUINAS



Amoladora angular BEG010

Black & Decker declara que los productos descritos en "datos técnicos" cumplen las siguientes normas:
2006/42/CE, EN 60745-1:2009 + A11:2010;
EN 60745-2-3:2011 + A2:2013 + A11:2014
+ A12:2014 + A13:2015

Estos productos también cumplen las Directivas 2014/30/UE y 2011/65/UE.

Para más información, póngase en contacto con Black & Decker en la siguiente dirección o consulte la parte posterior del manual.

El abajo firmante es el responsable de la compilación del archivo técnico y realiza esta declaración en representación de Black & Decker.

R. Laverick
Director de Ingeniería
Black & Decker Europa, 210 Bath Road, Slough,
Berkshire, SL1 3YD
Reino Unido
27/09/2017

Garantía

Black & Decker confía en la calidad de sus productos y ofrece a los consumidores una garantía de 24 meses a partir de la fecha de compra. Esta garantía es adicional a sus derechos legales y no los menoscaba en modo alguno. La garantía es válida dentro de los territorios de los Estados Miembros de la Unión Europea y del Área de Libre Comercio Europea.

Para reclamar la garantía, la reclamación se debe presentar de conformidad con las condiciones de Black & Decker.

Tendrá que adjuntar un justificante de compra al vendedor o al agente técnico autorizado. Las condiciones de la garantía de 2 años de Black & Decker y la ubicación de su agente técnico autorizado más cercano se pueden obtener en Internet en www.2helpU.com o poniéndose en contacto con su oficina local de Black & Decker en la dirección que se indica en este manual.

Visite nuestro sitio web www.blackanddecker.co.uk y registre su nuevo producto Black & Decker para mantenerse al día sobre los nuevos productos y las ofertas especiales.

(Tradução das instruções originais)

Utilização pretendida

A rebarbadora angular BLACK+DECKER BEG010 foi concebida para a rectificação e corte de metal e pedra utilizando o disco de corte e retificador adequado. Quando está instalada com a protecção adequada, esta ferramenta foi concebida apenas para utilização doméstica.

Instruções de segurança

Avisos de segurança gerais para ferramentas eléctricas



Atenção! Leia todos os avisos de segurança e todas as instruções. O não cumprimento dos seguintes avisos e instruções pode resultar em choque eléctrico, incêndio e/ou ferimentos graves.

Guarde todos os avisos e instruções para futura referência. A expressão "ferramenta eléctrica" utilizada a seguir refere-se a ferramentas eléctricas com ligação à corrente eléctrica (com cabo) ou com bateria (sem fios).

1. **Segurança na área de trabalho**
 - a. **Mantenha a área de trabalho limpa e bem iluminada.** As áreas desorganizadas ou escuras são propensas a acidentes.
 - b. **Não trabalhe com ferramentas eléctricas em áreas com risco de explosão, nas quais se encontrem líquidos, gases ou poeiras inflamáveis.** As ferramentas eléctricas criam faíscas que poderão inflamar estas poeiras ou vapores.
 - c. **Mantenha crianças e outras pessoas afastadas durante a utilização da ferramenta eléctrica.** As distrações podem levar à perda do controlo da ferramenta.

2. **Segurança eléctrica**

- a. **As fichas da ferramenta eléctrica devem encaixar na tomada. Nunca modifique a ficha de forma alguma.**

- Não utilize fichas adaptadoras com ferramentas eléctricas ligadas à terra.** As fichas não modificadas e as tomadas compatíveis reduzem o risco de choque eléctrico.
- b. **Evite que o corpo entre em contacto com superfícies ligadas à terra, como tubos, radiadores, fogões e frigoríficos.** Se o seu corpo estiver "ligado" à terra, o risco de choque eléctrico é maior.
 - c. **As ferramentas eléctricas não podem ser expostas a chuva nem humidade.** A entrada de água numa ferramenta eléctrica aumenta o risco de choque eléctrico.
 - d. **Manuseie o cabo com cuidado. Nunca o utilize para transportar, puxar ou desligar a ferramenta eléctrica. Mantenha o cabo afastado de fontes de calor, substâncias oleosas, arestas afiadas ou peças móveis.** Os cabos danificados ou emaranhados aumentam o risco de choque eléctrico.
 - e. **Quando trabalhar com uma ferramenta eléctrica ao ar livre, utilize uma extensão adequada para esse fim.** A utilização de um cabo adequado para uso ao ar livre reduz o risco de choque eléctrico.
 - f. **Se for inevitável trabalhar com uma ferramenta eléctrica num local húmido, utilize um dispositivo de corrente residual (RCD).** A utilização de um RCD reduz o risco de choque eléctrico.
3. **Segurança pessoal**
 - a. **Mantenha-se atento, observe o que está a fazer e seja prudente quando trabalhar com a ferramenta eléctrica. Não utilize uma ferramenta eléctrica quando estiver cansado ou sob o efeito de drogas, álcool ou medicamentos.** Um momento de distração durante a utilização de ferramentas eléctricas pode resultar em ferimentos graves.
 - b. **Utilize equipamento de protecção individual. Use sempre protecção ocular.** O equipamento de protecção, como, por exemplo, uma máscara contra o pó, sapatos de segurança antiderrapantes, um capacete de segurança ou uma protecção auditiva, usado nas condições apropriadas, reduz o risco de ferimentos.
 - c. **Evite arranques involuntários. Certifique-se de que o botão está desligado antes de ligar a ferramenta à corrente eléctrica e/ou as baterias, e antes de levantar ou transportar a ferramenta.** Se mantiver o dedo sobre o interruptor ao transportar ferramentas eléctricas ou se as ligar à fonte de alimentação com o interruptor ligado, isso pode dar origem a acidentes.
 - d. **Retire eventuais chaves de ajuste ou chaves de fendas antes de ligar a ferramenta eléctrica.** Uma chave de fenda ou de ajuste fixada numa peça rotativa da ferramenta eléctrica pode causar ferimentos.
 - e. **Não tente chegar a pontos fora do alcance.**
 4. **Utilização e manutenção da ferramenta eléctrica**
 - a. **Não sobrecarregue a ferramenta eléctrica. Utilize a ferramenta eléctrica correta para o seu trabalho.** A ferramenta eléctrica adequada irá efectuar o trabalho de um modo mais eficiente e seguro se for utilizada de acordo com a capacidade para a qual foi concebida.
 - b. **Não utilize a ferramenta eléctrica se o interruptor não puder ser ligado ou desligado.** Qualquer ferramenta eléctrica que não possa ser controlada através do interruptor de alimentação é perigosa e tem de ser reparada.
 - c. **Desligue a ficha da tomada e/ou a bateria da ferramenta eléctrica antes de proceder a ajustes, trocar acessórios ou guardar ferramentas eléctricas.** Estas medidas de segurança preventivas reduzem o risco de ligar a ferramenta eléctrica acidentalmente.
 - d. **Mantenha as ferramentas eléctricas que não estiverem a ser utilizadas fora do alcance das crianças. Não permita que a ferramenta eléctrica seja utilizada por pessoas não familiarizadas com a mesma ou que não tenham lido estas instruções.** As ferramentas eléctricas são perigosas nas mãos de pessoas que não possuam as qualificações necessárias para as manusear.
 - e. **Proceda à manutenção das ferramentas eléctricas. Verifique se as partes móveis estão desalinhadas ou bloqueadas, se existem peças partidas ou qualquer outra situação que possa afetar o funcionamento das ferramentas eléctricas. Se a ferramenta eléctrica estiver danificada, esta não deve ser utilizada até que seja reparada.** Muitos acidentes têm como principal causa ferramentas eléctricas com uma manutenção insuficiente.
 - f. **Mantenha as ferramentas de corte afiadas e limpas.** As ferramentas de corte sujeitas a uma manutenção adequada, com arestas de corte afiadas, bloqueiam com menos frequência e controlam-se com maior facilidade.
- Mantenha sempre os pés bem apoiados e um equilíbrio apropriado.** Desta forma, será mais fácil controlar a ferramenta eléctrica em situações inesperadas.

g. **Utilize a ferramenta eléctrica, os acessórios e as peças de ferramenta, etc., de acordo com estas instruções, considerando as condições de trabalho e a tarefa a ser executada.** A utilização da ferramenta eléctrica para fins diferentes dos previstos pode resultar em situações perigosas.

5. Assistência

a. **A sua ferramenta eléctrica deve ser reparada por pessoal qualificado e só devem ser colocadas peças sobresselentes idênticas.** Desta forma, é garantida a segurança da ferramenta eléctrica.

Avisos de segurança adicionais para ferramentas eléctricas



Atenção! Avisos de segurança comuns para rectificar, lixar, limpeza com escova metálica ou corte abrasivo:

- ◆ **Esta ferramenta eléctrica destina-se a ser utilizada com rebarbadora, lixadeira, escova metálica, polidora ou ferramenta de corte. Leia todos os avisos de segurança, instruções, ilustrações e especificações fornecidas com esta ferramenta eléctrica.**

O não cumprimento de todas as instruções indicadas abaixo pode resultar em choque eléctrico, incêndio e/ou lesões graves.

- ◆ **As operações para as quais a ferramenta eléctrica não foi concebida podem criar perigo e causar ferimentos.**
- ◆ **Não utilize acessórios que não sejam especificamente concebidos e recomendados pelo fabricante da ferramenta.** O facto de um acessório poder ser instalado na sua ferramenta eléctrica não garante um funcionamento seguro do mesmo.
- ◆ **A velocidade nominal do acessório deve ser, pelo menos, igual à velocidade máxima assinalada na ferramenta eléctrica.** Os acessórios que forem utilizados a uma velocidade superior à respectiva velocidade nominal poderão fragmentar-se e projectar esses fragmentos.
- ◆ **O diâmetro exterior e a espessura do acessório devem estar dentro dos limites de capacidade da ferramenta eléctrica.** Não será possível proteger ou controlar de forma adequada acessórios com o tamanho incorrecto.
- ◆ **Ao enroscar acessórios, estes devem coincidir com a rosca do veio da rebarbadora. No que respeita a acessórios montados com flanges, o orifício de fixação do acessório deve corresponder ao diâmetro de localização da flange.**

Os acessórios que não correspondam ao tamanho dos elementos de montagem da ferramenta eléctrica irão funcionar de forma desequilibrada e vibrar de modo excessivo, podendo causar a perda do controlo da ferramenta.

- ◆ **Não utilize um acessório danificado. Antes de cada utilização, inspecione se os acessórios, por exemplo, os discos abrasivos, apresentam rachas ou fendas, se a protecção de apoio apresenta rachas, desgaste excessivo, e se a escova metálica tem fios soltos ou rachados. Se deixar cair a ferramenta eléctrica ou os acessórios, verifique se apresentam danos ou se colocou um acessório sem danos. Depois de inspeccionar e instalar um acessório e funcionar com a ferramenta eléctrica à velocidade máxima sem carga durante um minuto. Os acessórios danificados irão normalmente fragmentar-se durante este período de teste.**
- ◆ **Use equipamento de protecção individual. Dependendo da operação, use uma viseira ou óculos de protecção. De acordo com o necessário, use uma máscara contra o pó, protetores auditivos, luvas e um avental de trabalho capaz de o proteger contra pequenos fragmentos abrasivos ou da peça de trabalho.** A protecção ocular tem de ser capaz de o proteger contra a projecção de detritos resultantes de várias operações. A máscara anti-poeira ou o respirador deve ser capaz de filtrar partículas geradas pelo que está a fazer. A exposição prolongada a ruídos de elevada intensidade poderá causar perda de audição.
- ◆ **Mantenha as pessoas a uma distância segura da área de trabalho. Qualquer pessoa que entre no perímetro da área de trabalho deve usar equipamento de protecção individual.** Poderá dar-se o caso de fragmentos da peça de trabalho ou de um acessório partido serem projetados para longe e causarem ferimentos fora da área de trabalho imediata.
- ◆ **Segure a ferramenta eléctrica apenas pelas áreas isoladas quando executar uma operação em que o acessório de corte possa entrar em contacto com a cablagem oculta ou o próprio cabo.** Um acessório de corte que entre em contacto com um fio com tensão eléctrica poderá fazer com que as peças de metal expostas da ferramenta conduzam electricidade e electrocutem o utilizador.
- ◆ **Utilize grampos ou outro sistema prático para apoiar e fixar a peça numa plataforma estável.** Segurar a peça com a mão ou contra o corpo pode causar instabilidade e perda de controlo.
- ◆ **Afaste o cabo do acessório rotativo.** Se perder o controlo da ferramenta, o cabo poderá ser cortado ou ficar preso no acessório, puxando a sua mão ou o seu braço na direção do acessório rotativo.

- ◆ **Só deve pousar a ferramenta eléctrica quando o acessório parar por completo.** Caso contrário, o acessório rotativo poderá ficar preso na superfície onde pousou a ferramenta eléctrica e puxá-la para longe das suas mãos, fazendo-o perder o controlo da mesma.
- ◆ **Não trabalhe com a ferramenta eléctrica se a transportar de lado.** Um contacto accidental do acessório rotativo com a sua roupa poderá prendê-la no mesmo, puxando o acessório na direcção do seu corpo.
- ◆ **Limpe regularmente as aberturas de ventilação da ferramenta eléctrica.** A ventoinha do motor irá puxar as partículas para o interior da caixa da ferramenta e a acumulação excessiva de metal pulverizado pode causar perigos eléctricos.
- ◆ **Não utilize a ferramenta eléctrica junto a materiais inflamáveis.** Estes materiais poderão ser inflamados por faíscas da ferramenta.
- ◆ **Não utilize acessórios que necessitem de líquidos refrigerantes.** A utilização de água ou outros líquidos de refrigeração pode causar eletrocussão ou choque eléctrico.

Nota: O aviso anterior não se aplica a ferramentas eléctricas especificamente concebidas para utilizar com um sistema líquido.

Contragolpes e avisos relacionados

O efeito de contragolpe é uma reacção súbita resultante do aperto ou bloqueio de um disco rotativo, de uma protecção de aperto, de uma escova ou de qualquer outro acessório. Elementos entalados ou presos provocam o rápido encravamento do acessório rotativo, o que, por sua vez, faz com que a ferramenta eléctrica descontrolada seja forçada na direcção oposta à rotação do acessório no ponto de ligação.

Por exemplo, se um disco abrasivo ficar preso ou for apertado pela peça de trabalho, a aresta do disco que estiver em contacto com o ponto de aperto pode penetrar a superfície do material, fazendo o disco subir ou saltar da peça. O disco pode projetar-se na direcção do operador ou afastar-se dele, dependendo da direcção do movimento do disco no ponto de entalamento. Os discos abrasivos podem também partir-se nestas condições.

O efeito de contragolpe é o resultado de uma utilização errada da ferramenta e/ou de procedimentos ou condições de utilização incorretos, podendo ser evitado com medidas de precaução apropriadas, conforme descrito em seguida.

- ◆ **Segure firmemente a ferramenta eléctrica e posicione o corpo e o braço para permitir resistência às forças de um contragolpe. Utilize sempre o punho auxiliar, se existir, para controlar ao máximo o contragolpe ou a reacção ao binário quando liga a ferramenta.** O operador pode controlar as reacções ao binário ou forças de contragolpe, tomando as precauções adequadas.

- ◆ **Nunca coloque a mão perto do acessório rotativo.** O efeito de contragolpe pode fazer com que o acessório salte sobre a sua mão.
- ◆ **Não posicione o corpo na área de passagem da ferramenta eléctrica se houver contragolpe.** O contra-golpe impulsionará a ferramenta na direcção oposta ao movimento do disco no ponto em que ficar entalado.
- ◆ **Tenha muito cuidado quando trabalhar em cantos, extremidades afiadas, etc. Evite balançar e entalar o acessório.** Os cantos, as arestas afiadas ou o facto de o acessório rotativo saltar tendem a fazê-lo ficar preso na peça de trabalho e, consequentemente, a causar a perda do controlo da ferramenta ou efeito de contragolpe.
- ◆ **Não ligue uma lâmina de entalhar madeira de corrente ou uma lâmina de serra com dentes.** Estas lâminas originam frequentemente o efeito de contragolpe e a perda do controlo da ferramenta.

Avisos de segurança específicos para operações de rectificação e corte abrasivo

- ◆ **Utilize apenas os tipos de discos recomendados para a ferramenta eléctrica e a protecção específica concebida para o disco seleccionado.** Os discos para os quais a ferramenta eléctrica não foi concebida não podem ser protegidos de forma adequada e, consequentemente, não são seguros.
- ◆ **A superfície de rectificação dos discos centrais premidos deve ser montada abaixo da plaina do lábio de protecção.** Se o disco estiver montado incorretamente e ficar saliente através da plaina da aba de protecção, isso significa que não está devidamente protegido.
- ◆ **A protecção deverá estar bem fixada na ferramenta eléctrica e posicionada de forma a proporcionar a máxima segurança, de forma a que o operador fique exposto à menor extensão de disco possível.** O resguardo ajuda a proteger o utilizador contra fragmentos do disco partido, qualquer contacto accidental com o disco e as faíscas podem queimar a roupa.
- ◆ **Os discos só devem ser utilizados para as aplicações recomendadas. Por exemplo, não desbaste materiais com a parte lateral de um disco de corte.** Os discos de corte abrasivos destinam-se a efetuar rectificação periférica e qualquer pressão lateral aplicada nestes discos poderá parti-los.
- ◆ **Utilize sempre flanges de discos não danificadas com o tamanho e a forma correctos para o disco seleccionado.** Os encaixes de disco apropriados suportam corretamente o disco, reduzindo assim a possibilidade de quebra do mesmo. As flanges para discos de corte poderão ser diferentes das flanges dos discos rectificadores.

- ◆ **Não utilize discos desgastados de ferramentas eléctricas maiores.** Os discos concebidos para ferramentas eléctricas maiores não são adequados para a velocidade mais alta de uma ferramenta mais pequena e poderão fragmentar-se.

Avisos de segurança adicionais específicos para operações de corte abrasivo

- ◆ **Não "encrave" o disco de corte nem aplique pressão excessiva. Não efetue cortes excessivamente profundos.** Uma pressão excessiva sobre o disco aumenta a carga e a susceptibilidade de torcer ou bloquear o disco durante o corte, bem como a possibilidade de contragolpe ou de o disco se partir.
- ◆ **Não posicione o corpo alinhado e atrás do disco rotativo.** Quando o disco, no ponto de funcionamento, se estiver a afastar do seu corpo, um possível recuo poderá impulsionar o disco e a ferramenta eléctrica diretamente para si.
- ◆ **Quando o disco estiver a ficar bloqueado ou quando interromper um corte por qualquer motivo, desligue a ferramenta eléctrica e mantenha-a imóvel até que o disco pare por completo. Nunca retire o disco do corte enquanto o disco estiver em movimento. Caso contrário, poderá ocorrer o efeito de contragolpe.** Investigue e tome acções correctivas para eliminar a causa do bloqueio do disco.
- ◆ **Não reinicie a operação de corte na peça. Deixe o disco alcançar a velocidade máxima e coloque a serra com cuidado no local do corte.** O disco pode ficar dobrado, saltar ou causar um efeito de contragolpe se a ferramenta eléctrica for reiniciada em contacto com a peça.
- ◆ **Apoie painéis ou qualquer peça de grandes dimensões para minimizar o risco de bloqueio da roda e de contragolpe.** As peças de trabalho de grandes dimensões tendem a vergar sobre o seu próprio peso. É necessário colocar suportes por baixo da peça de trabalho em ambos os lados do disco, perto da linha de corte e da extremidade da peça.
- ◆ **Tenha especial cuidado quando efectuar um corte pequeno em paredes existentes ou outras áreas ocultas.** O disco pode cortar a canalização de gás ou água, a cablagem eléctrica ou outros objetos que podem causar o efeito de contragolpe.

Avisos de segurança específicos para operações de lixado

- ◆ **Não utilize discos abrasivos com dimensões excessivas. Siga as recomendações dos fabricantes quando seleccionar o papel para lixar.**

Uma lixa com um tamanho excessivo que ultrapasse o limite do disco de suporte representa um risco de dilaceração e poderá fazer com que o disco fique preso ou danificado, ou causar a ocorrência do efeito de contragolpe.

Avisos de segurança específicos para operações de escovagem metálica

- ◆ **Tenha em atenção que a escova projeta cerdas metálicas, mesmo durante o funcionamento normal. Não aplique uma carga excessiva na escova, isso pode causar demasiado esforço nos fios.** Os filamentos podem penetrar facilmente na pele e/ou em roupa leve.
- ◆ **Se for recomendada a utilização de um protecção para escovagem metálica, não permite qualquer interferência do disco metálico ou da escova com a protecção.** O disco ou a escova de arame podem aumentar de diâmetro devido à carga de trabalho e às forças centrífugas.

Segurança de terceiros

- ◆ Este equipamento não deve ser utilizado por pessoas (incluindo crianças) com capacidades físicas, sensoriais ou mentais reduzidas ou com falta de experiência e conhecimentos, a menos que sejam acompanhadas ou tenham recebido formação ou instruções sobre a utilização deste equipamento por uma pessoa responsável pela respectiva segurança.
- ◆ As crianças devem ser vigiadas para garantir que não mexem no equipamento.

Riscos residuais

Podem surgir riscos residuais adicionais durante a utilização da ferramenta, que poderão não constar nos avisos de segurança incluídos.

Estes riscos podem resultar de má utilização, uso prolongado, etc.

Mesmo com o cumprimento dos regulamentos de segurança relevantes e a implementação de dispositivos de segurança, alguns riscos residuais não podem ser evitados. Estes incluem:

- ◆ Ferimentos causados pelo contacto com peças em rotação/movimento.
- ◆ Ferimentos causados durante a substituição de peças, lâminas ou acessórios.
- ◆ Ferimentos causados pela utilização prolongada de uma ferramenta. Se utilizar uma ferramenta durante períodos prolongados, certifique-se de que faz pausas regularmente.
- ◆ Danos auditivos.
- ◆ Problemas de saúde causados pela inalação de poeiras resultantes da utilização da ferramenta (exemplo:

trabalhos em madeira, especialmente carvalho, faia e MDF).

Vibração

Os valores de emissão de vibração declarados na secção de dados técnicos e na declaração de conformidade foram medidos de acordo com o método de teste padrão fornecido pela norma EN 60745 e podem ser utilizados para comparar ferramentas. O valor de emissão de vibração declarado pode ainda ser utilizado numa avaliação preliminar de exposição.

Atenção! O valor de emissão de vibração durante a utilização real da ferramenta eléctrica pode ser diferente do valor declarado, dependendo da forma como a ferramenta é utilizada. O nível de vibração pode aumentar acima do nível indicado.

Quando avaliar a exposição da vibração para determinar as medidas de segurança exigidas pela Diretiva 2002/44/CE para proteger pessoas que utilizem regularmente ferramentas eléctricas na sua atividade profissional, deve ser considerada uma estimativa de exposição de vibração, as condições reais de utilização e o modo de utilização da ferramenta, incluindo ainda todas as partes do ciclo de funcionamento, como os períodos de inatividade e espera da ferramenta, além do tempo de funcionamento.

Etiquetas colocadas na ferramenta

Os seguintes pictogramas, assim como o código de data, estão indicados na ferramenta:



Atenção! Para reduzir o risco de ferimentos, o utilizador deve ler o manual de instruções.



Utilize óculos ou viseiras de protecção quando utilizar esta ferramenta.



Utilize protectores dos ouvidos quando utilizar esta ferramenta

Segurança eléctrica



O seu carregador tem isolamento duplo. Por esse motivo, não precisa de ligação à terra. Verifique sempre se a tensão de alimentação corresponde à tensão indicada na placa sinalética.

- ◆ Se o cabo de alimentação estiver danificado, terá de ser substituído pelo fabricante ou por um Centro de Assistência autorizado da BLACK+DECKER, de modo a evitar situações de perigo.

Quebras de tensão

As correntes de irrupção causam quebras de tensão de curta duração. Em condições de alimentação desfavoráveis, outro equipamento poderá ser afetado.

Se a impedância de sistema da fonte de alimentação for inferior a 0,107 Ω, a ocorrência de perturbações é improvável.

Componentes

Esta ferramenta inclui algumas ou todas as funcionalidades seguintes.

1. Interruptor de ligar/desligar
2. Bloqueio do veio
3. Protecção
4. Punho lateral

Montagem

Atenção! Antes da montagem, certifique-se de que a ferramenta está desligada e que não está ligada à corrente eléctrica.

Colocar e remover a protecção (Fig. A1, A2)

A ferramenta é fornecida com uma protecção apenas para trabalhos de rectificação (tipo 27). Se a unidade se destinar a operações de corte, deverá ser colocada uma protecção específica desta operação (tipo 41). Pode obter uma protecção adequada N642463 (para discos de corte de 115 mm) através dos centros de assistência da BLACK+DECKER.

- ◆ Coloque a ferramenta em cima de uma mesa, com o veio (5) virado para cima.
- ◆ Alinhe os apoios (7) com os entalhes (8).
- ◆ Pressione a protecção para baixo e rode-a no sentido inverso ao dos ponteiros do relógio para a posição pretendida.
- ◆ Aperte o parafuso (6) para fixar a protecção.

Remover

- ◆ Desaperte o parafuso (6).
- ◆ Rode a protecção no sentido contrário ao dos ponteiros do relógio para alinhar os apoios (7) com os entalhes (8).
- ◆ Remova a protecção da ferramenta.

Atenção! Nunca utilize a ferramenta sem a protecção.

Encaixar o punho lateral

- ◆ Aparafuse a punho lateral (4) num dos furos de montagem da ferramenta.

Atenção! Utilize sempre o punho lateral.

Colocar e remover discos rectificadores (Fig. B - D)

Utilize sempre o tipo de disco correto para a sua aplicação. Utilize sempre discos com o diâmetro e o orifício corretos (ver os dados técnicos).

Montagem

- ◆ Coloque a protecção como indicado acima.
- ◆ Coloque a flange interior (10) no veio (5) como indicado (Fig. B).

Certifique-se de que a flange está corretamente posicionada nos lados lisos do veio.

- ◆ Coloque o disco (11) no veio (5) como indicado (Fig. B). Se o disco tiver um centro elevado (12), certifique-se de que esse centro elevado está virado para a flange interior.
- ◆ Certifique-se de que o disco está correctamente localizado na flange interior.
- ◆ Coloque a flange exterior (13) no veio. Quando se monta um disco rectificador, o centro elevado da flange exterior deve ficar virado para o disco (A na Fig. C). Quando se monta um disco de corte, o centro elevado da flange exterior deverá estar de costas para o disco (B na Fig. C).
- ◆ Mantenha o bloqueio do veio (2) premido e aperte a flange exterior utilizando a chave-inglesa de dois pinos (14) (Fig. D).

Remover

- ◆ Mantenha o bloqueio do veio (2) premido e solte a flange exterior (13) utilizando a chave-inglesa de dois pinos (14) (Fig. D).
- ◆ Remova a flange exterior (13) e o disco (11).

Rectificação de superfícies com discos rectificadores

- ◆ Deixe a ferramenta alcançar a velocidade máxima antes de tocar na superfície de trabalho.
- ◆ Aplique uma pressão mínima na superfície de trabalho, para que a ferramenta funcione a uma velocidade elevada. A velocidade de rectificação é a mais elevada se a ferramenta funcionar a uma velocidade elevada.
- ◆ Mantenha um ângulo de 20° a 30° entre a ferramenta e a superfície de trabalho, como indicado na Figura F.
- ◆ Mova continuamente a ferramenta num movimento para a frente e para trás para evitar a criação de goivas na superfície de trabalho.
- ◆ Retire a ferramenta da superfície de trabalho antes de a desligar. Deixe a ferramenta parar de rodar antes de a pousar.

Rectificar arestas com discos rectificadores

Os discos utilizados para o corte e rectificação de arestas podem partir-se ou provocar um coice enquanto a ferramenta estiver a ser utilizada para realizar trabalhos de corte ou desbaste profundo. A rectificação/corte de arestas com um disco do tipo 27 deve ser restringida a corte superficial e chanfragem. Deve ser inferior a 13 mm de profundidade se o disco for novo. Reduza a profundidade de corte/chanfragem para que fique igual à redução do raio do disco, à medida que ficar desgastado. Para obter mais informações, consulte o "Gráfico de acessórios de corte e rectificação" no final deste manual. A rectificação/corte de arestas com um disco do tipo 41 requer a utilização de uma protecção do tipo 41.

- ◆ Deixe a ferramenta alcançar a velocidade máxima antes de tocar na superfície de trabalho.
- ◆ Aplique uma pressão mínima na superfície de trabalho, para que a ferramenta funcione a uma velocidade elevada. A velocidade de rectificação é a mais elevada se a ferramenta funcionar a uma velocidade elevada.
- ◆ Coloque-se de modo a que o lado aberto na parte inferior do disco fique afastado do operador.
- ◆ Depois de iniciar um corte e efectuar um entalhe na peça de trabalho, não altere o ângulo do corte. Se alterar o ângulo, o disco pode dobrar e partir-se. Os discos rectificadores de arestas não foram concebidos para suportar pressões causadas pela dobragem.
- ◆ Retire a ferramenta da superfície de trabalho antes de a desligar. Deixe a ferramenta parar de rodar antes de a pousar.

Atenção! Não utilize discos de corte/rectificação de arestas para tarefas de rectificação de superfícies se a etiqueta indicar o contrário porque não foram concebidos para as pressões laterais que ocorrem durante a rectificação de superfícies. O disco pode partir-se e ocorrerem ferimentos graves.

Colocar e remover discos abrasivos (Fig. D e E)

Para lixar, é necessário uma protecção de apoio. Pode encontrar a protecção de apoio no seu revendedor BLACK+DECKER.

Montagem

- ◆ Coloque a flange interior (10) no veio (5) como indicado (Fig. E). Certifique-se de que a flange está corretamente posicionada nos lados lisos do veio.
- ◆ Coloque a protecção de apoio (15) no veio.
- ◆ Coloque o disco abrasivo (16) na protecção de apoio.
- ◆ Coloque a flange exterior (13) no veio com o centro elevado afastado do disco.
- ◆ Mantenha o bloqueio do veio (2) premido e aperte a flange exterior utilizando a chave-inglesa de dois pinos (14) (Fig. D). Certifique-se de que a flange exterior está correctamente colocada e que o disco está firmemente fixado.

Remover

- ◆ Mantenha o bloqueio do veio (2) premido e solte a flange exterior (13) utilizando a chave-inglesa de dois pinos (14) (Fig. D).
- ◆ Remova a flange exterior (13), o disco abrasivo (16) e a protecção de apoio (15).

Acabamento da superfície com discos abrasivos

- ◆ Deixe a ferramenta alcançar a velocidade máxima antes de tocar na superfície de trabalho.

- ◆ Aplique uma pressão mínima na superfície de trabalho, para que a ferramenta funcione a uma velocidade elevada. A velocidade de polimento é a mais elevada se a ferramenta funcionar a uma velocidade elevada.
- ◆ Mantenha um ângulo de 5° a 10° entre a ferramenta e a superfície de trabalho, como indicado na Figura G.
- ◆ Mova continuamente a ferramenta num movimento para a frente e para trás para evitar a criação de goivas na superfície de trabalho.
- ◆ Retire a ferramenta da superfície de trabalho antes de a desligar. Deixe a ferramenta parar de rodar antes de a pousar.

Utilizar proteções de apoio para lixar

Utilize sempre discos abrasivos com o grão adequado para a sua aplicação. Estão disponíveis discos abrasivos com várias numerações. As lixas com numeração mais grossa permitem obter velocidades de remoção mais rápidas e um acabamento mais grosseiro. As lixas com numeração mais fina permitem obter velocidades de remoção mais lentas e um acabamento mais macio.

Comece a tarefa com discos com numeração mais grossa para uma remoção rápida e grosseira do material. Mude para um papel com numeração média e termine com um disco de com numeração fina para um óptimo acabamento.

- ◆ Grosso = 16 - 30.
- ◆ Médio = 36 - 80.
- ◆ Polimento fino = 100 - 120.
- ◆ Polimento muito fino = 150 - 180.
- ◆ Deixe a ferramenta alcançar a velocidade máxima antes de tocar na superfície de trabalho.
- ◆ Aplique uma pressão mínima na superfície de trabalho, para que a ferramenta funcione a uma velocidade elevada. A velocidade de polimento é a mais elevada se a ferramenta funcionar a uma velocidade elevada.
- ◆ Mantenha um ângulo de 5° a 10° entre a ferramenta e a superfície de trabalho, como indicado na Figura H. O disco abrasivo deve estar a uma distância de cerca de 25 mm da superfície de trabalho.
- ◆ Mova a ferramenta de forma constante em linha reta para evitar queimaduras e efeitos circulares na superfície de trabalho. Se deixar a ferramenta sobre a superfície de trabalho e não a mover ou a deslocar em movimentos circulares, podem ocorrer queimaduras e efeitos circulares.
- ◆ Retire a ferramenta da superfície de trabalho antes de a desligar. Deixe a ferramenta parar de rodar antes de a pousar.

Precauções a ter quando lixar tinta

- ◆ A lixadela de tinta à base de chumbo **NÃO É RECOMENDADA** porque é difícil controlar as poeiras contaminadas.

As crianças e as grávidas são mais susceptíveis ao envenenamento por chumbo.

- ◆ Uma vez que é difícil identificar se uma tinta contém ou não chumbo sem proceder a uma análise química, é recomendável seguir as seguintes precauções quando fizer o polimento de tinta:
 - ◆ As crianças ou grávidas não devem entrar em áreas de trabalho em que estejam a ser realizados trabalhos de lixadela de tinta até a limpeza estar concluída por completo.
 - ◆ Todas as pessoas que entrem na área de trabalho devem usar uma máscara anti-poeira ou uma máscara respiratória. O filtro deve ser substituído todos os dias ou sempre que o utilizador tenha dificuldades respiratórias.

Nota: Só devem ser utilizadas máscaras anti-poeira adequadas se trabalhar com vapores de chumbo e poeira de tinta à base de chumbo. As máscaras de pintura comuns não oferecem este tipo de protecção. Contacte a sua loja de ferragens para obter uma máscara aprovada adequada.

- ◆ **NÃO É PERMITIDO COMER, BEBER OU FUMAR** na área de trabalho para evitar a ingestão de partículas de tinta contaminadas. Os trabalhadores devem lavar-se e limpar-se **ANTES** de comer, beber ou fumar. Não devem ser deixados alimentos, bebida ou maços de tabaco na área de trabalho, uma vez que estão sujeitos à acumulação de poeira.
- ◆ A tinta deve ser removida de modo a minimizar a quantidade de poeira produzida.
- ◆ As áreas de remoção de tinta devem ser seladas com telas de plástico com 4 milímetros de polegada de espessura.
- ◆ A lixadeira deve ser realizada de modo a reduzir quaisquer marcas de poeira de tinta fora da área de trabalho.
- ◆ Todas as superfícies na área de trabalho devem ser aspiradas e devidamente limpas todos os dias durante todo o projecto de lixadeira. Os sacos dos filtros de vácuo devem ser frequentemente mudados.
- ◆ As telas de protecção de plástico devem ser recolhidas e deitadas fora, juntamente com quaisquer pedaços de poeira ou outros detritos removidos. Devem ser colocados em contentores para lixo selados e eliminados através dos procedimentos normais de recolha do lixo. Durante a limpeza, as crianças e grávidas devem ser mantidas afastadas da área de trabalho imediata.
- ◆ Todos os brinquedos, mobília e utensílios usados pelas crianças devem ser devidamente lavados antes de serem utilizados novamente.

Montagem e utilização de escovas e discos metálicos

As escovas angulares de arame ou os discos metálicos são aparafusados diretamente no veio da rebarbadora, não sendo necessárias flanges. b. É necessário utilizar uma protecção do tipo 27 se utilizar discos e escovas de arame. Use luvas quando manusear escovas e discos metálicos. Podem ficar afiados. O disco ou a escova não devem entrar em contacto com o resguardo quando estiverem a ser instaladas ou utilizadas. Podem ocorrer danos não detetáveis no acessório, fazendo com que os fios se separem da válvula ou do disco de acessórios.

- ◆ Enrosque o disco no veio à mão.
- ◆ Prima o botão de bloqueio do veio e utilize uma chave de fendas no cubo do disco ou escova metálicos para apertar o disco.
- ◆ Para remover o disco, faça o inverso das instruções indicadas acima.

Atenção! Se não fixar corretamente o cubo do disco antes de ligar a ferramenta, poderão ocorrer danos na ferramenta ou no disco. As escovas e os discos metálicos podem ser utilizados para remover ferrugem, lascas e tinta, e para o alisamento de superfícies irregulares.

Nota: Devem ser tomadas as mesmas precauções durante os trabalhos de limpeza com escova e de lixada de tinta.

- ◆ Deixe a ferramenta alcançar a velocidade máxima antes de tocar na superfície de trabalho.
- ◆ Aplique uma pressão mínima na superfície de trabalho, para que a ferramenta funcione a uma velocidade elevada. A velocidade de remoção de material é a mais elevada se a ferramenta funcionar a uma velocidade elevada.
- ◆ Mantenha um ângulo de 5° a 10° entre a ferramenta e a superfície de trabalho para escovas angulares de arame, como indicado na Figura I.
- ◆ Utilize os discos metálicos para manter o contacto entre o bordo do disco e a superfície de trabalho.
- ◆ Mova continuamente a ferramenta num movimento para a frente e para trás para evitar a criação de goivas na superfície de trabalho.
Se deixar a ferramenta sobre a superfície de trabalho e não a mover ou a deslocar em movimentos circulares, podem ocorrer queimaduras e efeitos circulares.
- ◆ Retire a ferramenta da superfície de trabalho antes de a desligar. Deixe a ferramenta parar de rodar antes de a pousar.

Atenção! Tenha especial atenção quando trabalhar num canto da mesa, uma vez que pode ocorrer um movimento brusco da rebarbadora.

Montagem dos discos de corte (tipo 41)

Os discos de corte incluem discos de diamante e abrasivos.

Estão disponíveis discos de corte abrasivos para metal e betão. Também podem ser utilizadas lâminas de diamante para o corte de betão.

NOTA: Se utilizar discos de corte, é necessário uma protecção do tipo 41 para discos de corte fechada e com 2 abas laterais, vendida em separado. A não utilização de apoios e proteções adequadas pode dar origem a ferimentos resultantes da rutura do disco e do contacto com o disco. Quando cortar discos, deve utilizar encaixes de apoio e porcas de fixação roscadas com o mesmo diâmetro (fornecidos com a ferramenta).

Montagem de proteções fechadas (tipo 41) (Fig. J, K,)

- ◆ Alinhe os três apoios na protecção com as três ranhuras no cubo. Isto permite alinhar os apoios com as ranhuras na tampa da caixa de engrenagens, como indicado na Figura J.
- ◆ Empurre a protecção para baixo até a alça da protecção encaixar e rodar livremente na ranhura do cubo da caixa de engrenagens.
- ◆ Rode a protecção para a esquerda para fixá-la no devido lugar.
A estrutura da protecção deve ser posicionada entre o veio e o operador para proporcionar a máxima protecção do operador.
- ◆ Aperte o parafuso do fecho da protecção para fixá-la na tampa da caixa de engrenagens. Agora não é possível rodar a protecção à mão. Não utilize a rebarbadora com uma protecção desapertada.
- ◆ Para retirar a protecção, retire o parafuso do fecho da protecção. Em seguida, rode a protecção de modo a que os três apoios na protecção fiquem alinhados com as três ranhuras no cubo e retire a protecção.

Montar os discos de corte

- ◆ Coloque a flange de apoio não roscada no veio com a parte levantada (piloto) virada para cima. A parte levantada (piloto) na flange de apoio fica virada para o disco quando o disco é instalado.
- ◆ Coloque o disco na flange de apoio, centrando o disco na parte levantada (piloto).
- ◆ Instale a porca de fixação roscada com a parte levantada (piloto) afastada do disco.
- ◆ Prima o botão de bloqueio do veio e aperte a porca de fixação com a chave de fendas incluída.
- ◆ Para retirar o disco, prima o botão de bloqueio do veio e desaperte a porca de fixação roscada com a chave de fendas incluída.

Atenção! Não utilize discos de corte/rectificação de arestas para tarefas de rectificação de superfícies, porque não foram concebidos para as pressões laterais que ocorrem durante a rectificação de superfícies.

O disco pode partir-se e ocorrer ferimentos.

- ◆ Deixe a ferramenta atingir a velocidade máxima antes de tocar com a mesma na superfície de trabalho.
- ◆ Aplique uma pressão mínima na superfície de trabalho, para que a ferramenta funcione a uma velocidade elevada. A velocidade de corte é a mais elevada se a ferramenta funcionar a uma velocidade elevada.
- ◆ Depois de iniciar um corte e efectuar um entalhe na peça de trabalho, não altere o ângulo do corte. Se alterar o ângulo, o disco pode dobrar e partir-se.
- ◆ Retire a ferramenta da superfície de trabalho antes de a desligar. Deixe a ferramenta parar de rodar antes de a pousar.

Utilização

Atenção! Não altere o ritmo de funcionamento da ferramenta. Não sobrecarregue.

- ◆ Oriente o cabo com cuidado para evitar cortes acidentais.
- ◆ Esteja preparado para uma torrente de faíscas quando o disco rectificador ou de corte tocar na peça.
- ◆ Posicione sempre a ferramenta de forma a que a protecção contra o disco rectificador ou corte seja a ideal.

Ligar e desligar

- ◆ Para ligar a ferramenta, prima o interruptor de ligar/desligar (1).
- ◆ Para desligar a ferramenta, liberte o interruptor de ligar/desligar (1).

Atenção! Não desligue a ferramenta sob carga.

Sugestões para uma utilização ótima

- ◆ **Segure com firmeza a ferramenta com uma mão no punho lateral e a outra no punho principal.**
- ◆ Ao rectificar, mantenha sempre um ângulo aproximado de 15° entre o disco e a superfície da peça.

Manutenção

O seu equipamento/ferramenta com/sem fios BLACK+DECKER foi concebido para funcionar durante muito tempo, com um mínimo de manutenção. Uma utilização continuamente satisfatória depende de uma manutenção apropriada da ferramenta e de uma limpeza regular.

Atenção! Antes de proceder a qualquer acção de manutenção em ferramentas eléctricas com cabo/sem fio:

- ◆ Desligue o equipamento/ferramenta e retire a respectiva ficha da tomada.
- ◆ Ou desligue e remova a bateria do equipamento/ferramenta caso o equipamento/ferramenta tenha uma bateria individual.
- ◆ Ou deixe a bateria descarregar por completo se estiver incorporada e, em seguida, desligue-a.
- ◆ Desligue o carregador antes de o limpar.

O seu carregador não necessita de manutenção para além da limpeza regular.

- ◆ Limpe regularmente as ranhuras de ventilação do equipamento/ferramenta/carregador com uma escova macia ou um pano seco.
- ◆ Limpe regularmente o compartimento do motor com um pano húmido. Não utilize produtos de limpeza abrasivos ou à base de dissolventes.
- ◆ Abra o mandril com regularidade e bata no mesmo para remover qualquer vestígio de pó do interior (quando colocado).

Substituição da ficha de alimentação (apenas Reino Unido e Irlanda)

Se for necessário instalar uma nova ficha de alimentação:

- ◆ Elimine com segurança a ficha antiga.
- ◆ Ligue o cabo castanho ao terminal activo da nova ficha.
- ◆ Ligue o cabo azul ao terminal neutro.




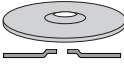



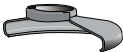




Atenção! Não deve ser efectuada qualquer ligação ao terminal de terra.






Siga as instruções de instalação fornecidas com fichas de boa qualidade. Fusível recomendado: 13 A.

Resolução de problemas

Problema	Causa possível	Possível solução
A unidade não é iniciada.	O fio não está ligado. O cabo ou o interruptor estão danificados.	Ligue a ferramenta a uma tomada com corrente eléctrica. Substitua o cabo ou o interruptor num centro de assistência BLACK+DECKER autorizado.

Gráfico de acessórios de corte e rectificação

Discos rectificadores	
 Protecção do tipo 27	 Protecção do tipo 27
 Flange de apoio não rosçada	
 Disco central com depressão do tipo 27	 Disco com cubo do tipo 27
 Porca de fixação rosçada	
Discos de lixa	
 Protecção do tipo 27	 Protecção do tipo 27
 Disco de lixa com cubo	 Flange de apoio não rosçada
	 disco de lixa sem cubo
	 Porca de fixação rosçada

Discos de corte do tipo 41	
 Protecção do tipo 41	 Protecção do tipo 41
 Flange de apoio	 Flange de apoio
 Disco de corte abrasivo	 Disco de corte de diamante
 Porca de fixação	 Porca de fixação
Escovas de arame	
 Protecção do tipo 27	 Protecção do tipo 27
 Escova angular de arame de 3 polegadas	 Escova angular de arame de 4 polegadas
Discos abrasivos	
 Protecção de apoio de borracha	
 Disco abrasivo	
 Porca de fixação rosçada	

Protecção do ambiente



Faça uma recolha de lixo seletiva. Os produtos e as baterias assinalados com este símbolo não devem ser eliminados juntamente com o lixo doméstico normal.

Os produtos e as pilhas contêm materiais que podem ser recuperados ou reciclados, reduzindo assim a necessidade de matérias-primas.

Recicle os produtos eléctricos e as pilhas de acordo com as disposições locais. Estão disponíveis mais informações em www.2helpU.com

Dados técnicos

BEG010 Tipo 1		
Tensão de entrada	V_{CA}	230
Alimentação	W	710
Velocidade nominal	min. ⁻¹	12 000
Furo do disco	mm	22

Espessura máxima do disco		
	mm	6
Discos de corte	mm	3,5
Tamanho do veio		M14
Peso	Kg	1,7

Nível de pressão acústica, de acordo com a norma EN 60745:		
Pre_ão acústica (L_{pA})	89 dB(A), variabilidade (K) 3 dB(A)	
potência acústica (L_{WA})	100 dB(A), imprecisão (K) 3 dB(A)	

Valores totais de vibração (soma de vetores triaxiais) de acordo com a norma EN 60745:		
Rectificação de superfícies ($a_{n,rect}$)	5,1 m/s ² , variabilidade (K) 1,5 m/s ²	
Corte ($a_{n,c0}$)	4,8 m/s ² , variabilidade (K) 1,5 m/s ²	
Lixadela com disco ($a_{n,DS}$)	6,6 m/s ² , variabilidade (K) 1,5 m/s ²	

Declaração de conformidade CE

DIRETIVA "MÁQUINAS"



Rebarbadora angular BEG010

A Black & Decker declara que os produtos descritos nos "dados técnicos" estão em conformidade com:
2006/42/CE, EN 60745-1:2009 + A11:2010;
EN 60745-2-3:2011 + A2:2013 + A11:2014
+ A12:2014 + A13:2015

Estes produtos estão também em conformidade com a directiva
2014/30/UE e 2011/65/UE.

Para obter mais informações, contacte a Black & Decker através do endereço seguinte ou consulte o verso do manual.

O signatário é responsável pela compilação do ficheiro técnico e efetua esta declaração em nome da Black & Decker.

R. Laverick
Diretor de Engenharia
Black & Decker Europe, 210 Bath Road, Slough,
Berkshire, SL1 3YD
Reino Unido
27/09/2017

Garantia

A Black & Decker confia na qualidade dos seus produtos e oferece aos clientes uma garantia de 24 meses a partir da data de compra. Esta garantia é um complemento dos seus direitos estabelecidos por lei, não os prejudicando de forma alguma. A garantia é válida nos Estados-membros da União Europeia e nos países-membros da Zona Europeia de Comércio Livre.

Para acionar a garantia, esta deve estar em conformidade com os termos e condições da Black & Decker e terá de apresentar comprovativos de compra ao vendedor ou a um agente de reparação autorizado. Os termos e condições da garantia de 2 anos da Black & Decker e a localização do agente de reparação autorizado mais próximo podem ser obtidos na Internet em www.2helpU.com ou contactando uma filial da Black & Decker, cuja morada está indicada neste manual.

Visite o nosso Website www.blackanddecker.co.uk para registar o seu novo produto Black & Decker e receber actualizações sobre novos produtos e ofertas especiais.

Avsedd användning

Din BLACK+DECKER BEG010 vinkelslip är konstruerad för kapning av metall och murverk med hjälp av rätt slags kap- eller slipskiva. Försett med rätt slags skydd är detta verktyg endast avsett för konsumentbruk.

Säkerhetsinstruktioner

Allmänna säkerhetsanvisningar för elverktyg



Varning! Läs alla säkerhetsvarningar och instruktioner. Fel som uppstår till följd av att varningarna och instruktionerna som listas nedan inte följts kan orsaka elstötar, brand och/eller allvarliga kroppsskador.

Spara alla säkerhetsföreskrifter och anvisningar för framtida bruk. Begreppet "Elverktyg" i alla varningar som listas nedan avser nätdrivna elverktyg (med nätsladd) och batteridrivna elverktyg (sladdlösa).

1. Säkerhet på arbetsplatsen

- Se till att arbetsområdet är rent och väl belyst.** Belamrade och mörka områden inbjuder till olyckor.
- Använd inte elverktyget i explosionsfarlig omgivning, t.ex. i närheten av brännbara vätskor, gaser eller damm.** Elverktyg skapar gnistor som kan antända damm eller ångor.
- Håll barn och åskådare på avstånd vid arbete med elverktyget.** Distractioner kan göra att du förlorar kontrollen.

2. Elsäkerhet

- Elverktygets stickkontakt måste passa i eluttaget. Modifiera aldrig kontakten på något sätt. Använd inga adapterkontakter tillsammans med jordade elverktyg.** Icke modifierade kontakter och passande uttag minskar risken för elektrisk stöt.
- Undvik kroppskontakt med jordade ytor, t.ex. rör, värmeelement, spisar och kylskåp.** Det finns en ökad risk för elektrisk stöt om din kropp är jordansluten eller jordad.
- Utsätt inte elverktyget för regn eller våta omgivelningar.** Vatten som kommer in i ett elverktyg ökar risken för elektrisk stöt.
- Misshandla inte nätsladden. Använd aldrig sladden för att bära, dra eller koppla bort elverktyget från uttaget. Håll sladden borta från värme, olja, skarpa kanter eller rörliga delar.** Skadade eller tilltrasslade sladdar ökar risken för elektrisk stöt.
- Använd en förlängningssladd som lämpar sig för utomhusbruk när du arbetar med elverktyg utomhus.**

Användning av en sladd som är lämplig för utomhusbruk minskar risken för elektriska stötar.

- Om du måste använda ett elverktyg på en fuktig plats, bör du använda en strömförsörjning med jordfelsbrytare.** Användning av en jordfelsbrytare minskar risken för elektrisk stöt.

3. Personlig säkerhet

- Var uppmärksam, se på vad du gör och använd sunt omdöme när du använder elverktyget. Använd inte ett elverktyg när du är trött eller påverkad av droger, alkohol eller mediciner.** Ett ögonblicks ouppmärksamhet när du arbetar med elektriska verktyg kan leda till allvarliga personskador.
- Använd personlig skyddsutrustning. Använd alltid skyddsglasögon.** Skyddsutrustning såsom dammfilterskydd, hals säkra säkerhetsskor, skyddshjälm eller hörselskydd som används för lämpliga förhållanden minskar personskador.
- Förhindra oavsiktlig start. Kontrollera att strömbrytaren står i avstängt läge innan du ansluter verktyget till elnätet eller sätter i batteriet, samt innan du tar upp eller bär verktyget.** Att bära elektriska verktyg med fingret på strömbrytaren eller att koppla strömmen till elektriska verktyg när strömbrytaren är på leder till olyckor.
- Ta bort alla inställningsverktyg och skruvnycklar innan du startar elverktyget.** Ett verktyg eller en nyckel som har lämnats kvar på en roterande del av det elektriska verktyget kan orsaka kroppsskador.
- Sträck dig inte för mycket. Ha ordentligt föfäste och balans hela tiden.** Detta möjliggör bättre kontroll av elverktyget i oväntade situationer.
- Bär lämpliga kläder. Bär inte lösa kläder eller smycken. Håll hår, beklädnad och handskar borta från delar i rörelse.** Lösa kläder, smycken eller långt hår kan fastna i rörliga delar.
- Om enheten har dammsugnings- och uppsamlingsutrustning, se till att den är ansluten och används på korrekt sätt.** Användning av dammuppsamling kan minska dammrelaterade risker.

4. Användning och skötsel av elverktyg

- Överbelasta inte elverktyget. Använd rätt elverktyg för ditt arbete.** Det korrekta elverktyget gör arbetet bättre och säkrare vid den hastighet för vilket det konstruerades.
- Använd inte elverktyget om det inte kan startas och stängas av med strömbrytaren.** Ett elverktyg som inte kan kontrolleras med strömbrytaren är farligt och måste repareras.
- Dra stickproppen ur vägguttaget och/eller ta ut batteriet ur elverktyget innan inställningar görs, tillbehör byts ut eller elverktyget ställs undan.**

Sådana förebyggande säkerhetsåtgärder minskar risken att oavsiktligt starta elverktøyet.

- d. **Förvara elverktøyet utom räckhåll för barn och låt inte personer som är ovana vid elverktøyet eller som inte læst denna bruksanvisning använda det.** Elverktøyet är farliga i hænderna på ovana anvændere.
- e. **Underhålla elverktøyet.**
Kontrollera att rørliga komponenter fungerer felfritt og inte kårvar, att komponenter inte gått sønder eller skadats og inget annat føreligger som kan påverka elverktøyetts funktion. Om det år skadat, se till att elverktøyet blir reparert føre anvændning. Många olyckor orsakas av dåligt underhållna elektriska verktyg.
- f. **Håll skårande verktyg vassa og rena.** Korrekt underhållna kapverktyg med vassa skår år mindre troliga att de fastnar og år lättare att kontrollera.
- g. **Anvænd elverktøyet, tillbehør, bits m.m. enligt dessa anvisningar, samtidigt som arbetsfòrhållandena og det arbete som ska utføras beaktas.** Anvændning av elverktøyet för andra uppgifter ån vad som avsetts kan resultera i farliga situationer.

5. Service

- a. **Låt en kvalificerad reparatør som bara använder identiska reservdelar utfør service på elverktøyet.**
Detta säkerställer att elverktøyetts säkerhet bibehålles.

Ytterligare säkerhetsanvisningar för elverktøyet



Varning! Ytterligare säkerhetsvarningar för vinkelslipning, slipning, trådborstning eller slipanden kapningsarbeten:

- ◆ **Det här elverktøyet år avsett att anvåndas som vinkelslip, slippmaskin, trådborstning, polering eller kapning.** Læs alla säkerhetsvarningar, instruktioner, illustrationer og spesifikasjoner som levereras med detta elverktøyet.
Underlåtøhet att læsa alla instruktioner som listas här nedan kan resultera i elektrisk støt, eldsvåda og/eller allvarlig personskada.
- ◆ **Arbetsmoment för vilka elverktøyet inte år konstruert kan eventuellt ge opphov till fara og orsaka personskada.**
- ◆ **Anvænd inte tillbehør som inte år specifikt konstruert for og rekommenderede av verktygstillverkaren.** Bara för att tillbehøret kan monteras på ditt elverktøyet, garanterar inte att det år sikkert att anvånde.
- ◆ **Tillbehøretts mærkhastighet måste vara minst lika med den maximala hastighet som finns angiven på elverktøyet.** Tillbehør som går snabbare ån sitt nominella varvtal kan brytas sønder og splittas.
- ◆ **Tillbehøretts ytterdiameter og tjøcklek måste ligga inom elverktøyetts kapacitetsmærkning.** Tillbehør med fel storlek kan inte skyddas eller kontrolleras korrekt.
- ◆ **Tillbehøretts gængfåste måste motsvara slippmaskinens spindelgænga.** För tillbehør monterade med flånsar måste spindelhålet på tillbehøret passa fixeringsdiametern på flånsen. Tillbehør med som inte matcher elverktøyetts monterade hårdvara kommer att gå obalansert, vibrere for mycket og kan orsaka att man tappar kontrollen.
- ◆ **Anvænd inte ett skadat tillbehør.** Føre varje anvændning, inspektera tillbehør såsom slippstrissor med avseende på flisor og sprickor, stødrondell med avseende på sprickor, nøtning eller for stort slitage, stålborste med avseende på løsa eller spruckna trådar. Om elverktøyet eller tillbehør tappas, kontrollera att det inte år skadat eller installera ett felfritt tillbehør. Når du har kontrollert og monteret ett tillbehør ska du køra elverktøyet med maximal hastighet utan belastning i en minut. Skadade tillbehør kommer i vanliga fall att gå sønder við denna testkøring.
- ◆ **Bår personlig skyddsutrustning.** Beroende på tillåmpning, anvænd ansiktsskydd, skyddsglasøgon eller sikkerhetsglasøgon. Efter vad som år læmpligt, bår dammfilterskydd, hørselskydd, handskar og verkstadsfòrklåde som klarar av att stoppa små slippende delar eller bitar av arbeidsstycket. Øgonskyddet måste klare av att stoppa flygende skråp som skapas av diverse arbeidsmoment. Damm- eller andningsskyddet måste kunna filtrera partiklar från det du arbetar med. Att utsåttas for buller under en læng tid kan orsaka hørselskador.
- ◆ **Håll åskådare på sikkert avstånd från arbeidsområdet.** Alla som kommer in i arbeidsområdet måste ha personlig skyddsutrustning. Bitar av arbeidsstycket eller av ett trasigt tillbehør kan slungas ivåg og orsaka personskada bortom det omedelbara arbeidsområdet.
- ◆ **Håll verktyget i de isolerede greppytorna við arbete där sågtillbehøret risikerar att komma i kontakt med dolda elledningar eller med sin egen nåtsladd.** Skårande tillbehør som kommer i kontakt med en strømførønde ledning kan gøra oskyddade metalldeklar på elverktøyet strømførønde og ge anvåndaren en elstøt.
- ◆ **Anvænd klåmmor eller något annat praktiskt såt att stødja arbeidsstycket mot ett stabilt underlag.** Att hålla arbeidsstycket for hand eller mot kroppen år instabilt og kan gøra att du følørar kontrollen.
- ◆ **Placera sladden så att den inte kommer i kontakt med det roterande tillbehøret.** Om du tappar kontrollen kan sladden bli kapad eller fastna, og din hand eller arm kan dras in i det roterande tillbehøret.
- ◆ **Lågg aldrig ned elverktøyet fòrrån tillbehøret har slutat rotera helt.**

Det roterande tillbehöret kan hugga tag i ytan och dra iväg verktyget så att du tappar kontrollen över det.

- ◆ **Kör inte elverktyget medan du bär det vid din sida.**
Oavsiktlig kontakt med det roterande tillbehöret skulle kunna ta tag i dina kläder och dra in tillbehöret i din kropp.
- ◆ **Rengör ventilationsöppningarna på elverktyget regelbundet.** Motorns fläkt kommer att dra in dammet i kåpan, och för stor ansamling av metall i pulverform kan utgöra elektriska risker.
- ◆ **Använd inte elverktyget i närheten av brandfarliga material.** Gnistor skulle kunna antända dessa material.
- ◆ **Använd inte tillbehör som kräver vätskekyllning.**
Användning av vatten eller andra flytande kylmedel kan leda till livsfarlig elstöt eller stöt.

Notera: Ovanstående varning gäller inte för elverktyg som har konstruerats speciellt för användning med ett vätskesystem.

Kast och tillhörande varningar

Rekyl är en plötslig reaktion när en roterande skiva, stödrondell, borste eller något annat tillbehör körs eller kläms fast. Det roterande tillbehöret bromsas då hastigt vilket i sin tur gör att det okontrollerade elverktyget tvingas i motsatt riktning mot tillbehörets rotation vid den punkt där stoppet uppstår.

Om till exempel en slipskiva fastnar eller kläms fast av arbetsstycket, kan skivans kant vid klämpunkten gräva sig in i materialet och få skivan att hoppa ut eller rekylera. Skivan kan antingen kastas mot användaren eller bort från denne, beroende på skivans rörelseriktning och den punkt där den fastnar. Slipskivor kan dessutom brytas sönder under dessa förhållanden.

Rekyler uppstår till följd av felaktig användning och/eller hantering av elverktyget. De kan undvikas med de skyddsåtgärder som beskrivs nedan.

- ◆ **Håll ett fast grepp om elverktyget och placera kroppen och armarna på ett sätt som gör att du kan stå emot eventuella rekylkrafter. Använd alltid ett extrahandtag, om sådant finns, för maximal kontroll över kast och momentrörelser vid start.** Användaren kan kontrollera vridmomentreaktion eller rekylkrafter, om korrekta försiktighetsåtgärder vidtas.
- ◆ **Placera aldrig din hand nära ett roterande tillbehör.** Tillbehöret kan rekylera över din hand.
- ◆ **Placera inte din kropp i ett område dit elverktyget kommer att förflyttas om en rekyl inträffar.** Rekylen kommer att kasta verktyget i motsatt riktning mot skivans rörelse vid klämpunkten.
- ◆ **Var särskilt försiktig när du arbetar med hörn, skarpa kanter, osv. Undvik att låta tillbehöret studsas eller hakas fast.**

Hörn, vassa kanter eller studsande har en tendens att hugga tag i det roterande tillbehöret och orsaka kontrollförlust eller rekyl.

- ◆ **Montera inte ett träsnidningsblad eller ett tandat sågblad.** Sådana klingor ger ofta upphov till rekyl och förlust av kontroll.

Säkerhetsanvisningar som är specifika för slipning och kapning

- ◆ **Använd bara skivor av den typ som rekommenderas för ditt elverktyg och det speciella skydd som är konstruerat för den aktuella skivan.** Skivor som elverktyget inte är konstruerat för kan inte skyddas ordentligt och är inte säkra.
- ◆ **Slipytan på skivor med försänkt nav måste monteras nedanför skyddsflänsens plan.** Felaktigt monterad skiva som skyddas av nivån av skyddsklacken kan inte var tillräckligt skyddande.
- ◆ **Skyddet måste fästas ordentligt på elverktyget och placeras för maximal säkerhet så att så lite som möjligt av skivan är exponerad mot användaren.** Skyddet hjälper till att skydda operatören från trasiga skivfragment, oavsiktlig kontakt med skivan och gnistor som kan antända kläder.
- ◆ **Skivor får bara användas i tillämpningar de rekommenderas för. Exempelvis: Slipa inte med sidan av en kapskiva.** Slipande kapskivor är avsedda för slipning med ytterkanten och om dessa skivor utsätts för sidokrafter kan de splittras.
- ◆ **Använd alltid oskadade skivflänsar med rätt storlek och form för den skiva du tänker använda.** Rätt skivflänsar stödjer skivan och minskar på så sätt risken att skivan ska splittras. Flänsar för kapskivor kan vara annorlunda än flänsar för slipskivor.
- ◆ **Använd inte nedslitna skivor från större elverktyg.** Skivor som är avsedda för större elverktyg lämpar sig inte för den högre hastigheten hos mindre verktyg och kan brytas sönder.

Ytterligare säkerhetsanvisningar som är specifika för kapning

- ◆ **Låt inte kapskivan fastna och tryck inte för hårt. Försök inte skära för djupt.** Att belasta skivan för mycket ökar risken och sannolikheten för att skivan ska vridas eller kärva i snittet och möjligheten för rekyl eller att skivan går sönder.
- ◆ **Stå inte i linje med och bakom den roterande skivan.** När skivan, på arbetspunkten rör sig bort ifrån din kropp, kan en eventuell rekyl slunga den roterande skivan och elverktyget rakt mot dig.
- ◆ **När skivan kärvar fast eller när du avbryter ett snitt av någon orsak, stäng av elverktyget och håll elverktyget stilla tills skivan har stannat helt och hållet.**

Försök aldrig ta bort skivan ur skärspåret medan skivan snurrar eftersom detta kan leda till kast.

Undersök varför skivan har fastnat och avlägsna orsaken till detta.

- ◆ **Återupta inte kapningen av arbetsstycket med skivan i skärspåret. Låt skivan nå full hastighet och återgå försiktigt till kapningen.** Skivan kan fastna, vandra upp eller rekylas om verktyget startas om i arbetsstycket.
- ◆ **Stöd stora arbetsstycken för att minimera risken för att skivan kläms fast eller kastas upp.** Stora arbetsstycken tenderar att svikta under sin egen vikt. Stöd måste placeras under arbetsstycket nära kaplinjen och nära kanten på arbetsstycket på båda sidor av skivan.
- ◆ **Var extra försiktig vid "instickskapning" i befintliga väggar eller andra dolda områden.** Den utstickande skivan kan skära in i vattenrör, elledningar eller objekt som kan orsaka en rekyl.

Säkerhetsanvisningar som är specifika för sandpappersslipning

- ◆ **Använd inte sandpapper som är alldeles för stora. Följ tillverkarens rekommendationer när du väljer sandpapper.** Större sliprondeller som når utanför stödrondden utgör en risk för rivsår, kan orsaka fastkörning och sönderslitning av skivan eller rekyl.

Säkerhetsanvisningar som är specifika för stålborstning

- ◆ **Tänk på att stålborst kan lossna från borsten även under normal användning. Slit inte för hårt på trådarna genom att applicera för stor belastning på borsten.** Trådstråna kan lätt tränga igenom lätt beklädnad och/eller huden.
- ◆ **Om ett skydd rekommenderas för stålborstning får ingen del av trådskivan eller borsten komma i kontakt med skyddet.** Trådskivan eller borsten kan expandera i diameter på grund av arbetsbelastningen och centrifugalkrafterna.

Säkerhet för andra

- ◆ Denna apparat är inte avsedd att användas av personer (inklusive barn) med reducerad fysisk, sensorisk eller mental förmåga eller med begränsad erfarenhet eller kunskap såvida inte de är under uppsikt eller fått instruktioner om användning av apparaten av en person som är ansvarig för deras säkerhet.
- ◆ Barn ska hållas under uppsikt så att de inte leker med verktyget.

Återstående risker

Ytterligare risker som inte finns med i de bifogade säkerhetsanvisningarna kan uppstå när verktyget används.

Dessa risker kan uppstå vid felaktig eller långvarig användning, etc.

Även om alla relevanta säkerhetsanvisningar följs och säkerhetsanordningar används kan vissa ytterligare risker inte undvikas. Dessa omfattar:

- ◆ Skador orsakade av att roterande/rörliga delar vidrörs.
- ◆ Skador som uppstår vid byte av delar, klinga eller tillbehör.
- ◆ Skador som orsakas av en långvarig användning av ett verktyg. Se till att regelbundet ta vilopauser när du använder ett verktyg under en längre period.
- ◆ Hörselnedsättning.
- ◆ Hälsorisker orsakade av inandning av damm när redskapet används (exempel: arbete med trä, särskilt ek, bok och MDF.)

Vibrationer

De vibrationsvärden som anges i avsnitten Tekniska data och deklARATIONEN om överensstämmelse har uppmätts i enlighet med en standardtestmetod föreskriven i EN 60745 och kan användas för jämförelse med andra verktyg. Det angivna vibrationsvärdet kan även användas för en preliminär bedömning av exponeringen.

Varning! Vibrationsvärdet under faktisk användning av elverktyget kan skilja sig från det uppgivna värdet beroende på hur verktyget används. Vibrationsnivån kan överstiga den uppgivna nivån.

Vid uppskattningar av exponering för vibrationer i syfte att bedöma vilka säkerhetsåtgärder som är nödvändiga enligt 2002/44/EG för att skydda personer som regelbundet använder elverktyg i arbetet ska man utgå från de faktiska omständigheter under vilka elverktyget används och sättet på vilket det används. Bedömningen ska även ta hänsyn till alla moment i arbetscykeln, t.ex. när verktyget är avstängt och när det går på tomgång såväl som när det faktiskt används.

Etiketter på verktyget

Följande symboler tillsammans med datumkoden visas på verktyget:



Varning! Läs bruksanvisningen före användning för att minska risken för personskador.



Bär alltid skydds- eller korglasögon när du använder verktyget.



Använd alltid hörselskydd när du använder verktyget

Elsäkerhet



Eftersom laddaren är dubbelisolerad behövs ingen jordledare. Kontrollera alltid att nätspänningen överensstämmer med spänningen på typskylten.

- ◆ Om nätsladden är skadad så måste den bytas ut av tillverkaren eller ett auktoriserat BLACK+DECKER servicecenter för att undvika risker.

Spänningsfall

Inkopplingsströmmar orsakar korta spänningsfall. Annan utrustning kan påverkas under ogynnsamma strömförhållanden.

Om spänningskällans systemimpedans är lägre än 0.107 Ω kommer sannolikt inga störningar att inträffa.

Funktioner

Detta verktyg har några eller samtliga av följande funktioner.

1. Strömbrytare
2. Spindellås
3. Skydd
4. Sidohandtag

Montering

Varning! Se till att verktyget är avstängt och att det inte är anslutet innan monteringen börjar.

Montera och ta bort skyddet (bild A1, A2)

Verktyget är utrustat med ett skydd som bara är avsett för slipning (typ 27). Om verktyget ska användas för kapning måste ett skydd som är speciellt avsett för detta (typ 41) monteras. Ett lämpligt skydd, artikelnummer N642463 (för 115mm kapskivor) kan erhållas från BLACK+DECKER servicecenter.

- ◆ Placera verktyget på ett bord med spindeln (5) riktad uppåt.
- ◆ Rikta in klackarna (7) mot spåren (8).
- ◆ Tryck ned skyddet och rotera det moturs till önskat läge.
- ◆ Dra åt skruven (6) för att fästa skyddet.

Borttagning

- ◆ Lossa skruven (6).
- ◆ Roter skyddet medurs för att rikta in klackarna (7) mot spåren (8).
- ◆ Ta bort skyddet från verktyget.

Varning! Använd aldrig verktyget utan skyddet.

Montering av sidohandtaget

- ◆ Skruva in sidohandtaget (4) i ett av monteringshålerna på verktyget.

Varning! Använd alltid sidohandtaget.

Montera och ta bort slip- och kapskivor (bild B - D)

Använd alltid rätt typ av skiva för det aktuella arbetet. Använd alltid skivor med rätt diameter och hålorlek (se tekniska data).

Fastsättning

- ◆ Montera skyddet enligt beskrivningen ovan.
- ◆ Placera den inre flänsen (10) på spindeln (5) som figuren visar (bild B). Se till att flänsen är korrekt placerad på de platta sidorna av spindeln.
- ◆ Placera skivan (11) på spindeln (5) som figuren visar (bild B). Om skivan har ett upphöjt centrum (12), se till att den är riktad mot den inre flänsen.
- ◆ Se till att skivan sitter rätt på den inre flänsen.
- ◆ Placera den yttre flänsen (13) på spindeln. När du monterar en slipskiva måste det upphöjda centrumet på den yttre flänsen vara riktad mot skivan (A i bild C). När du monterar en kapskiva måste den upphöjda mittdelen på den yttre flänsen vara riktad bort från skivan (B i bild C).
- ◆ Håll spindellåset (2) intryckt och dra åt den yttre flänsen med tvåstiftsnykkeln (14) (bild D).

Borttagning

- ◆ Håll spindellåset (2) intryckt och lossa den yttre flänsen (13) med tvåstiftsnykkeln (14) (bild D).
- ◆ Ta bort den yttre flänsen (13) och skivan (11).

Ytslipning med slipskivor

- ◆ Låt verktyget nå full hastighet innan verktyget kommer i kontakt med arbetsytan.
- ◆ Använd minimalt med tryck på arbetsytan, låt verktyget arbeta med hög hastighet. Sliphastigheten är bäst när verktyget arbetar med hög hastighet.
- ◆ Upprätthåll en vinkel på 20° till 30° mellan verktyget och arbetsytan såsom visas i bild F.
- ◆ Förflytta hela tiden verktyget fram och tillbaka för att undvika ojämnheter på arbetsytan.
- ◆ Ta bort verktyget från arbetsytan innan verktyget stängs av. Låt verktyget sluta rotera innan det läggs ned.

Kantslipning med slipskivor

Skivor som används för kapning och kantslipning kan gå sönder eller orsaka kast om de böjs eller vrids om verktyget används vid kapning eller djupslipning. Kantslipning/kapning med typ 27 skivor måste begränsas till grund skärning och falsning, mindre än 13 mm djupt när skivan är ny. Minska djupet på kapningen/falsningen lika mycket som skivans radie slits ned. Se "Slipnings- och kapitllbehörstabeln" i slutet av denna manual för ytterligare information. Kantslipning/kapning med en typ 41 skiva kräver användning av ett typ 41 skydd.

- ◆ Låt verktyget nå full hastighet innan verktyget kommer i kontakt med arbetsytan.

- ◆ Använd minimalt med tryck på arbetsytan, låt verktyget arbeta med hög hastighet. Sliphastigheten är bäst när verktyget arbetar med hög hastighet.
- ◆ Placera dig så att den öppna undersidan av skivan är riktad bort från dig.
- ◆ När kapningen börjar och en skåra skapats i arbetsstycket ändra inte vinkeln på kapningen. Ändring av vinkeln kommer att göra att skivan böjs och kan gå sönder. Kantslipningssskivor är inte designade för att stå emot sidotryck som orsakas av böjningar.
- ◆ Ta bort verktyget från arbetsytan innan verktyget stängs av. Låt verktyget sluta rotera innan det läggs ned.

Varning! Använd inte kantslipnings-/kapskivor för ytslipning om skivans etikett förbjuder sådan användning eftersom dessa skivor inte är designade för sidotryck som uppstår vid ytslipning. Sönderbrutna skivor och allvarliga skador kan uppstå.

Montera och ta bort sliprondeller (bild D och E)

För sandslipning krävs en stödrondell. Stödrondellen finns tillgänglig som tillbehör hos din BLACK+DECKER återförsäljare.

Fastsättning

- ◆ Placera den inre flänsen (10) på spindeln (5) som figuren visar (bild E). Se till att flänsen är korrekt placerad på de platta sidorna av spindeln.
- ◆ Placera stödrondellen (15) på spindeln.
- ◆ Placera sandpappersskivan (16) på stödrondellen.
- ◆ Placera den yttre flänsen (13) på spindeln med den upphöjda mittdelen vänd bort från skivan.
- ◆ Håll spindellåset (2) intryckt och dra åt den yttre flänsen med tvåstiftsnyckeln (14) (bild D). Se till att den yttre flänsen är korrekt placerad och att rondellen är ordentligt fastspänd.

Borttagning

- ◆ Håll spindellåset (2) intryckt och lossa den yttre flänsen (13) med tvåstiftsnyckeln (14) (bild D).
- ◆ Ta bort den yttre flänsen (13), sandpappersskivan (16) och stödrondellen (15).

Ytslipning med slippappersrondeller

- ◆ Låt verktyget nå full hastighet innan verktyget kommer i kontakt med arbetsytan.
- ◆ Använd minimalt med tryck på arbetsytan, låt verktyget arbeta med hög hastighet. Sliphastigheten är bäst när verktyget arbetar med hög hastighet.
- ◆ Upprätthåll en vinkel på 5° till 10° mellan verktyget och arbetsytan såsom visas i bild G.
- ◆ Förflytta hela tiden verktyget fram och tillbaka för att undvika ojämnheter på arbetsytan.

- ◆ Ta bort verktyget från arbetsytan innan verktyget stängs av. Låt verktyget sluta rotera innan det läggs ned.

Använda stödrondeller för slipning

Välj alltid korrekt slipkornsstorlek för flexibla slipskivorna för användningsområdet. Slipskivorna finns tillgängliga med olika slipkornsstorlekar. Grova korn tar bort material snabbare och ger en grövre finish. Finare korn tar bort material långsammare och ger en slätare finish.

Börja med skivor med grövre korn för snabb grov borttagning av material. Byt till ett mediumpapper och avsluta med ett fint korn för optimal finish.

- ◆ Grovt = 16 - 30 i kornstorlek.
- ◆ Medium = 36 - 80 kornstorlek.
- ◆ Fint = 100 - 120 kornstorlek.
- ◆ Extra fint = 150 - 180 i kornstorlek.
- ◆ Låt verktyget nå full hastighet innan verktyget kommer i kontakt med arbetsytan.
- ◆ Använd minimalt med tryck på arbetsytan, låt verktyget arbeta med hög hastighet. Sliphastigheten är bäst när verktyget arbetar med hög hastighet.
- ◆ Upprätthåll en vinkel på 5° till 10° mellan verktyget och arbetsytan såsom visas i bild H. Slipskivan skall ha en kontakt på ungefär 25 mm på arbetsytan.
- ◆ Flytta verktyget konstant i en rak linje för att förhindra bränning och virvlar på arbetsytan. Om verktyget får vila på arbetsytan utan rörelse eller flytt av verktyget i en cirkelrörelse skapar brännmärken och virvelmärken på arbetsytan.
- ◆ Ta bort verktyget från arbetsytan innan verktyget stängs av. Låt verktyget sluta rotera innan det läggs ned.

Försiktighetsåtgärder vid slipning av färg

- ◆ Slipning av blybaserad färg **REKOMMENDERAS INTE** på grund av svårigheterna att kontrollera det förorenade dammet. Den största faran för blyförgiftning är för barn och gravida kvinnor.
- ◆ Eftersom det är svårt att identifiera om färg innehåller eller inte innehåller bly utan en kemisk analys rekommenderar vi att följande försiktighetsåtgärder vidtas vid slipning av all färg:
 - ◆ Inga barn eller gravida kvinnor får komma in i arbetsområdet där färg slipas innan en fullständig rengöring gjorts.
 - ◆ En andningsmask eller gasmask bör bäras av alla personer som kommer in i arbetsområdet. Filtret bör bytas dagligen eller när användaren har svårigheter att andas.

Notera: Endast de dammasker som är lämplig för arbete med blyfärgdamm och rök bör användas. Vanlig målarmasker ger inte detta skydd. Besök din lokala järnhandel för att köpa ett godkänd andningsskydd.

- ◆ ÄT INTE, DRICK ELLER RÖK inom arbetsområdet för att förhindra intag av förorenade färgpartiklar. Arbetare bör tvätta och städa INNAN de äter, dricker eller röker. Livsmedel, dryck eller röktillebehör bör inte lämnas kvar i arbetsområdet eftersom damm kan fastna på dem.
- ◆ Färg bör tas bort på ett sådant sätt att mängden damm som genereras minimeras.
- ◆ Områden där färgborttagning sker bör förseglas med plastskynken som är 4 millimeter tjocka.
- ◆ Slipning bör utföras på ett sådant sätt att spår av färgdamm reduceras utanför arbetsområdet.
- ◆ Alla ytor inom arbetsområdet bör dammsugas och noga rengöras dagligen så länge som slipningsprojektet pågår. Dammsugarfilterpåsar bör bytas regelbundet.
- ◆ Skyddsplast bör samlas ihop och kastas tillsammans med övriga dammspån och annat löst skräp. De bör placeras i en förseglad avfallsbehållare och via den vanliga sophantering. Under rengöringen skall barn och gravida kvinnor hålla sig undan från det direkta arbetsområdet.
- ◆ Alla leksaker, tvättbara möbler och redskap som används av barn tvättas noga innan de används igen.

Montering och användning av trådborstar och trådkivor

Trådkoppborstar och trådkivor skruvas direkt på vinkelslipens spindel utan användning flänsar. b. Ett typ 27 skydd krävs när trådborstar och -skivor används. Använd skyddshandskar när trådborstar och skivor hanteras. De kan vara vassa. Skivor eller borstar får inte vidröra skyddet vid montering eller användning. Oupptäckta skador kan uppstå på tillbehören och göra att trådarna fragmenteras från tillbehörsskivor eller kopp.

- ◆ Gånga på skivan på spindeln för hand.
- ◆ Tryck på spindellåsknappen och använd en skiftnyckel på navet på trådkivan eller borsten för att dra åt skivan.
- ◆ För att ta bort skyddet följ ovanstående procedur i motsatt ordning.

Varning! Om inte skivnavet sitter korrekt på innan verktyget slås på kan det resultera i skador på verktyget eller på skivan. Trådkivor och borstar kan användas för att ta bort rost, flagor och färg och för utjämning av oregelbundna ytor.

Notera: Samma försiktighetsåtgärder ska vidtas vid borstning av färg som vid slipning av färg med sandpapper.

- ◆ Låt verktyget nå full hastighet innan verktyget kommer i kontakt med arbetsytan.
- ◆ Använd minimalt med tryck på arbetsytan, låt verktyget arbeta med hög hastighet. Borttagning v material går snabbast när verktyget arbetar med hög hastighet.
- ◆ Upprätthåll en vinkel på 5 ° till 10 ° mellan verktyget och arbetsytan för borstkoppar såsom visas i bild 1.
- ◆ Håll kontakt mellan kanten på skivan och arbetsytan med trådkivan.

- ◆ Förflytta hela tiden verktyget fram och tillbaka för att undvika ojämnheter på arbetsytan. Om verktyget får vila på arbetsytan utan rörelse eller flytt av verktyget i en cirkelrörelse skapar brännmärken och virvelmärken på arbetsytan.
- ◆ Ta bort verktyget från arbetsytan innan verktyget stängs av. Låt verktyget sluta rotera innan det läggs ned.

Varning! Var extra uppmärksam vid arbete över en kant då plötsliga tvära rörelser av vinkelslipen kan ske.

Montering av kapskivor (typ 41)

Kapskivor inkluderar diamantskivor och slipande skivor. Slipande kapskivor för metall och betong finns tillgängliga. Diamantblad för betongkapning kan också användas.

NOTERA: Ett stängt tvåsidigt typ 41 kapskiveskydd krävs när kapskivor används, säljs separat. Om inte korrekt fläns och skydd används kan det resultera i skador från skivor som går sönder och kontakt med skivan. Matchande diameter för fästflänsen och gängade bygelmuttern (medföljer verktyget) måste användas för kapskivor.

Montering stängt (typ 41) skydd (bild J, K,)

- ◆ Passa in de tre klackarna på skyddet mot de tre skårorna på navet. Detta kommer att rikta in flikarna mot öppningarna i växellådans hölje såsom visas i bild J.
- ◆ Skjut ned skyddet tills skyddsflikarna aktiveras och roterar fritt i spåret på växellådans nav.
- ◆ Vrid skyddet moturs för att låsa fast det på plats. Skyddshöjlet bör placeras mellan spindeln och operatören för att ge maximalt skydd.
- ◆ Dra åt skyddshaken för att fästa skyddet på växellådans hölje. Du skall inte kunna vrida skyddet för hand. Använd inte vinkelslipen med ett löst skydd.
- ◆ För att ta bort skyddet, lossa skyddets låshakeskruv. Vrid sedan skyddet så att de tre klackarna på skyddet är i linje med de tre skårorna på navet och dra upp på skyddet.

Montera kapskivor

- ◆ Placera den öngående fästflänsen på spindeln med det upphöjda centrumet (pilot) riktat uppåt. Det upphöjda centrumet (pilot) på fästflänsen kommer att vara mot skivan när skivan installeras.
- ◆ Placera skivan på fästflänsen, centrera skivan på det upphöjda centrumet (pilot).
- ◆ Installera den gängade bygelmuttern med det upphöjda centrumet (pilot) bort från skivan.
- ◆ Tryck ned spindellåsknappen och dra åt bygelmuttern med den medföljande skruvnyckeln.
- ◆ För att ta bort skivan, tryck på spindellåsknappen och lossa den gängade bygelmuttern med den medföljande skruvnyckeln.

Varning! Använd inte kantslipnings-/kapskivor för ytslipning eftersom dessa skivor inte är designade för sidotryck som uppstår vid ytslipning. Sönderbrutna skivor och allvarliga skador kan uppstå.

- ◆ Låt verktyget nå full hastighet innan verktyget kommer i kontakt med arbetsytan.
- ◆ Använd minimalt med tryck på arbetsytan, låt verktyget arbeta med hög hastighet. Kaphastigheten är bäst när verktyget arbetar med hög hastighet.
- ◆ När kapningen börjar och en skåra skapats i arbetsstycket ändra inte vinkeln på kapningen. Ändring av vinkeln kommer att göra att skivan böjs och kan gå sönder.
- ◆ Ta bort verktyget från arbetsytan innan verktyget stängs av. Låt verktyget sluta rotera innan det läggs ned.

Användning

Varning! Låt verktyget arbeta i sin egen takt. Överbelasta inte.

- ◆ Håll undan kabeln ordentligt, så att du inte råkar klippa av den.
- ◆ Var beredd på en ström av gnistor när slip- eller kapskivan kommer i kontakt med arbetsstycket.
- ◆ Placera alltid verktyget så att skyddet för slip- eller kapskivan blir optimalt.

Slå på och stänga av

- ◆ Starta verktyget genom att trycka in strömbrytaren (1).
- ◆ Stäng av verktyget genom att släppa strömbrytaren (1).

Varning! Starta inte och stäng inte av verktyget när det är belastat.

Tips för optimal användning

- ◆ **Håll verktyget stadigt med en hand runt sidohandtaget och den andra handen runt huvudhandtaget.**
- ◆ När du slipar ska du alltid ha skivan vinklad cirka 15° mot ytan på arbetsstycket.

Underhåll

Din kabelanslutna/sladdlösa BLACK+DECKER-apparat/verktyg är konstruerad för att fungera en lång tid med minsta möjliga underhåll. Kontinuerlig tillfredsställande drift är beroende av ordentlig verktygsvård och regelbunden rengöring.

Varning! Innan något underhåll utförs på sladdanslutna/sladdlösa elverktyg:

- ◆ Stäng av apparaten/verktyget och dra ur nätkontakten.
- ◆ Du kan också ta ut batteriet ur redskapet om redskapet har ett separat batteri.
- ◆ Om batteriet är inbyggt låter du det laddas ur helt innan avstängningen.
- ◆ Dra ur sladden till laddaren innan du rengör den. Laddaren behöver inget annat underhåll än regelbunden rengöring.

- ◆ Rengör regelbundet redskapets/verktygets/laddarens luftintag med en mjuk borste eller torr trasa.
- ◆ Rengör motor kåpan regelbundet med en fuktig trasa. Använd aldrig något slipande eller lösningsmedelsbaserat rengöringsmedel.
- ◆ Öppna chocken (där sådan finns) med jämna mellanrum och knacka på den för att avlägsna damm som sitter på insidan.

Byte av elkontakten (endast Storbritannien och Irland)

Om en ny elkontakt måste monteras:

- ◆ Gör dig av med den gamla kontakten på lämpligt sätt.
- ◆ Anslut den bruna ledningen till den strömförande anslutningen i den nya kontakten.
- ◆ Anslut den blå ledningen till den icke strömförande anslutningen.




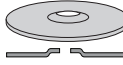


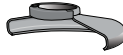
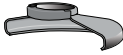


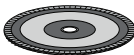

Varning! Ingenting bör kopplas till jordanslutningen.

Följ de monteringsanvisningar som följer med kontakter av god kvalitet. Rekommenderad säkring: 13 A.

Felsökning

Problem	Möjlig orsak	Möjlig lösning
Enheten startar inte.	Sladden inte inkopplad. Sladd eller brytare skadad.	Koppla in verktyget i ett fungerande uttag. Byt ut sladden eller strömbrytaren hos ett BLACK+DECKER servicecenter eller auktoriserat servicecenter.

Tabell över slip- och kaptillbehör

Slipskivor	
 Skydd typ 27	 Skydd typ 27
 Ogångad fästfläns	
 Typ 27-skiva med försänkt centrum	 Typ 27 navskiva
 Gångad spännmutter	
Slipningskivor	
 Skydd typ 27	 Skydd typ 27
 Navslipningskivor	 Ogångad fästfläns
	 Icke-navslipningskivor
	 Gångad spännmutter

Typ 41 kapskivor	
 Skydd typ 41	 Skydd typ 41
 Stödfläns	 Stödfläns
 Slipkapskivor	 Diamantkapskivor
 Klämmutter	 Klämmutter
Trådkskivor	
 Skydd typ 27	 Skydd typ 27
 3 tum trådkoppborste	 4 tum trådkoppborste
Sandpapperskiva	
 Gummistödronnell	
 Sandpapperskiva	
 Gångad spännmutter	

Skydda miljön



Separat insamling. Produkter och batterier som är markerade med denna symbol får inte kastas i de vanliga hushållssoporna.

Produkter och batterier innehåller material som kan återanvändas eller återvinnas för att minska behovet av råmaterial.

Återvinn elektriska produkter och batterier enligt lokala föreskrifter. Mer information finns tillgänglig på www.2helpU.com

Undertecknad är ansvarig för sammanställningen av tekniska data och gör denna försäkran för Black & Decker.

Tekniska data

BEG010 Typ 1		
Inspänning	V_{AC}	230
Ineffekt	W	710
Märkhastighet	min^{-1}	12000
Skivhåll	mm	22

Maximal skivtjocklek		
	mm	6
Kapskivor	mm	3,5
Spindelstorlek		M14
Vikt	Kg	1.7

Ljudtrycksnivå enligt EN 60745:		
Lj _{sd} tryck (LpA) 89 dB(A), osäkerhet (K) 3 dB(A)		
Ij _{sd} tryck (L _{wA}) 100 dB(A), osäkerhet (K) 3 dB(A)		

Totala vibrationsvärden (vektorsumman av tre axlar) enligt EN 60745:		
Ytslipning ($a_{h,SD}$) 5,1 m/s ² , osäkerhet (K) 1,5 m/s ²		
Kapning ($a_{h,CO}$) 4,8 m/s ² , osäkerhet (K) 1,5 m/s ²		
Skivslipning ($a_{h,DS}$) 6,6 m/s ² , osäkerhet (K) 1,5 m/s ²		



R. Laverick
Director of Engineering
Black & Decker Europe, 210 Bath Road, Slough,
Berkshire, SL1 3YD
Storbritannien
2017-09-27

Garanti

Black & Decker är säker på kvaliteten hos denna produkt och erbjuder kunder 24 månaders garanti från datumet inköpsdatumet. Garantin gäller utöver konsumentens rättigheter enligt lag och påverkar inte dessa. Garantin är giltig i de territorier som tillhör medlemsstaterna i Europeiska unionen och det europeiska frihandelsområdet.

För yrkande under garantin måste yrkandet vara i enlighet med Black & Deckers villkor och du kommer att behöva skicka in bevis på köpet till försäljaren eller en auktoriserad reparatör. Villkoren för Black & Deckers tvååriga garanti och var du hittar din närmaste auktoriserade reparatör kan erhållas på Internet på www.2helpU.com, eller genom att kontakta ditt lokal Black & Decker kontor på adressen som angetts i denna bruksanvisning.

Besök vår webbsida www.blackanddecker.co.uk för att registrera din nya Black & Decker-produkt samt för att få information om nya produkter och specialerbjudanden.

EG-försäkran om överensstämmelse

MASKINDIREKTIVET



BEG010 vinkelslip

Black & Decker försäkrar att dessa produkter, beskrivna under "tekniska data" uppfyller:

2006/42/EG, EN 60745-1:2009 + A11:2010;
EN 60745-2-3:2011 + A2:2013 + A11:2014
+ A12:2014 + A13:2015

Dessa produkter överensstämmer även med direktiven 2014/30/EU och 2011/65/EU.

Kontakta Black & Decker för ytterligare information på följande adress, eller se handbokens baksida.

Tiltenkt bruk

BLACK+DECKER BEG010 vinkelsliper er designet for sliping og kapping av metall og murverk ved hjelp av passende slipe- eller kappeskiver. Ved påmontert passende beskyttelse er dette apparatet kun ment for privat bruk.

Sikkerhetsinstruksjoner

Generelle sikkerhetsadvarsler for elektroverktøy



Advarsel! Les alle sikkerhetsadvarsler og alle instruksjoner. Hvis advarslene og anvisningene nedenfor ikke overholdes, kan det medføre elektrisk støt, brann og/eller alvorlige personskader.

Ta vare på alle advarsler og instruksjoner for fremtidig bruk. Uttrykket "elektroverktøy" i alle advarslene nedenfor gjelder for strømdrevne elektroverktøy (med ledning) og batteridrevne elektroverktøy (uten ledning).

1. Sikkerhet i arbeidsområdet

- Hold arbeidsområdet rent og godt opplyst.** Rotete eller mørke områder er en invitasjon til ulykker.
- Ikke arbeid med elektroverktøy i eksplosjonsfarlige omgivelser, for eksempel der det befinner seg brennbare væsker, gass eller støv.** Elektrisk verktøy skaper gnister som kan antenne støv eller gasser.
- Hold barn og andre personer unna når du bruker et elektroverktøy.** Distraksjoner kan føre til at du mister kontrollen.

2. Elektrisk sikkerhet

- Støpselet til verktøyet må passe til stikkontakten. Aldri modifier støpselet på noen måte. Ikke bruk adapterstøpsler til jordede elektriske verktøy.** Umodifiserte støpsler og stikkontakter som passer vil redusere risikoen for elektrisk sjokk.
- Unngå kroppskontakt med jordede overflater som rør, radiatorer, komfyrer og kjøleskap.** Det er økt risiko for elektrisk støt dersom kroppen din er jordat.
- Ikke utsett elektroverktøy for regn eller fuktighet.** Dersom det kommer vann inn i et elektrisk verktøy vil det øke risikoen for elektrisk sjokk.
- Unngå uforvarlig behandling av ledningen. Aldri bruk ledningen til å bære, trekke eller dra ut støpselet til det elektriske verktøyet. Hold ledningen borte fra varme, olje, skarpe kanter eller bevegelige deler.** Skadede eller innviklede ledninger øker risikoen for elektrisk sjokk.
- Når du bruker et elektroverktøy utendørs, må du bruke en skjøteledning som er egnet til utendørs bruk.** Bruk av en skjøteledning beregnet for utendørs bruk reduserer risikoen for elektrisk støt.

- Hvis du ikke kan unngå å bruke elektroverktøy på et fuktig sted, må du bruke en strømforsyning som er beskyttet med jordfeilbryter (RCD).** Bruk av jordfeilbryter (RCD) reduserer risikoen for elektrisk støt.

3. Personikkerhet

- Vær oppmerksom, pass på hva du gjør, og vis fornuft når du arbeider med et elektroverktøy. Ikke bruk et elektrisk verktøy dersom du er trøtt eller er påvirket av medikamenter, narkotika eller alkohol.** Ett øyeblikks uoppmerksomhet under bruk av elektriske verktøy kan føre til alvorlig personskade.
- Bruk personlig verneutstyr. Bruk alltid vernebriller.** Verneutstyr slik som støvmaske, skliskre vernesko, hjelm, eller hørselsvern brukt under passende forhold vil redusere personskader.
- Forhindre utilsiktet start. Kontroller at bryteren står i posisjon "av" før du kobler til strømkilden og/eller batteripakken, og før du tar opp eller bærer verktøyet.** Å bære elektriske verktøy med fingeren på bryteren eller å sette inn støpselet mens elektriske verktøy har bryteren på øker faren for ulykker.
- Fjern eventuelt innstillingsverktøy eller skruverktøy før du slår på elektroverktøyet.** Et skruverktøy eller en nøkkel som fortsatt er festet til en roterende del av elektroverktøyet, kan føre til personskade.
- Ikke strekk deg for langt. Ha godt fotfeste og stå støtt hele tiden.** Dette fører til at du har bedre kontroll over det elektriske verktøyet ved uventede situasjoner.
- Bruk egnede klær. Ikke ha på deg løstsittende klær eller smykker. Hold hår, antrekk og hansker borte fra bevegelige deler.** Løstsittende klær, smykker og langt hår kan bli fanget opp av bevegelige deler.
- Hvis det kan monteres støvavsug- og oppsamlingsinnretninger, må du forvise deg om at disse er tilkoblet og brukes på riktig måte.** Bruk av støvoppsamlere kan redusere støvrelaterte farer.

4. Bruk og behandling av elektroverktøy

- Ikke bruk makt på elektroverktøyet. Bruk det elektriske verktøyet som situasjonen krever.** Det riktige elektriske verktøyet vil gjøre jobben bedre og tryggere ved den hastigheten det ble konstruert for.
- Ikke bruk elektroverktøyet hvis du ikke kan slå det på og av med bryteren.** Ethvert elektrisk verktøy som ikke kan kontrolleres med bryteren er farlig og må repareres.
- Trekk støpselet ut av stikkontakten og/eller koble fra batteripakken på elektroverktøyet før du utfører innstillinger, bytter tilbehør eller legger elektroverktøyet bort for lagring.** Slike preventive sikkerhetsforanstaltninger reduserer risikoen for å starte det elektriske verktøyet ved et uhell.

- d. **Elektroverktøy som ikke er i bruk, må oppbevares utilgjengelig for barn. Ikke la verktøyet bli brukt av personer som ikke er fortrolige med det, eller som ikke kjenner disse instruksjonene.** Elektriske verktøy er farlige i hendene på utrenede brukere.
- e. **Sørg for vedlikehold av elektroverktøy. Undersøk om bevegelige deler er feiljustert eller blokkert, om deler er skadet, og om det er andre forhold som kan påvirke elektroverktøys funksjon. Dersom det er skadet, få verktøyet reparert før neste bruk.** Mange ulykker forårsakes av dårlig vedlikeholdte verktøy.
- f. **Hold skjæreverktøy skarpe og rene.** Godt vedlikeholdte skjæreverktøy med skarpe skjærekanten setter seg mindre sannsynlig fast og er lettere å kontrollere.
- g. **Bruk elektroverktøy, tilbehør, bits osv. i henhold til disse instruksjonene. Ta hensyn til arbeidsforholdene og arbeidet som skal utføres.** Bruk av det elektriske verktøyet for oppgaver som er forskjellige fra de som er tiltenkt kan føre til en farlig situasjon.
5. **Service**
- a. **Elektroverktøyet skal repareres av kvalifisert personell og bare med originale reservedeler.** Dette vil sikre at verktøys sikkerhet blir ivaretatt.

Ytterligere sikkerhetsadvarsler for elektroverktøy



Advarsel! Sikkerhetsanvisninger som er felles for sliping, sandpussing, børsting eller kappeoperasjoner:

- ◆ Dette verktøyet er beregnet til bruk ved sliping, pussing, trådbørsting, polering eller kutting. Les alle sikkerhetsanvisninger, instruksjoner, illustrasjoner og spesifikasjoner som følger dette elektriske verktøyet. Manglende overholdelse av instruksjonene som er listet opp under kan resultere i elektroshock, ild og/eller alvorlig skade.
- ◆ Dersom elektroverktøyet brukes til andre oppgaver enn det er tiltenkt, kan det føre til fare og forårsake personskade.
- ◆ Ikke bruk tilbehør som ikke er spesifikt utformet og anbefalt av verktøyprodusenten. Selv om tilbehøret kan kobles til elektroverktøyet, sikrer ikke dette trygg drift.
- ◆ Den normerte hastigheten til tilbehøret må være minst like stor som maksimalhastigheten som er angitt på elektroverktøyet. Tilbehør som går fortere enn merkehastigheten sin, kan bli ødelagt og fly i stykker.
- ◆ Den utvendige diameteren og tykkelsen til tilbehøret må være innenfor den normerte kapasiteten til elektroverktøyet. Tilbehør med feil størrelse kan ikke beskyttes eller kontrolleres tilstrekkelig.
- ◆ Gjenget montering av tilbehør må samsvare med spindelgjengene på slipemaskinen. For tilbehør montert på flens, må senterhullet på tilbehøret passe til diameteren på flensen. Tilbehør som ikke passer monteringsdelene på elektroverktøyet, vil rotere eksentrisk, vibrere for mye og kan føre til at du mister kontrollen.
- ◆ Ikke bruk tilbehør som er skadet. Før hver bruk må du inspirere tilbehøret, som slipeskiven, for hakk og sprekker, festeplatene må inspiseres for sprekker, rifter eller slitasje, og stålborsten må inspiseres for løse eller sprukne tråder. Dersom elektroverktøyet eller tilbehøret slippes ved et uhell, må du kontrollere om det er skadet eller montere uskadet tilbehør. Etter å ha undersøkt og montert tilbehøret skal du kjøre elektroverktøyet på maksimal hastighet uten belastning i ett minutt. Skadet tilbehør vil normalt rives i stykker under denne testen.
- ◆ Bruk personlig verneutstyr. Avhengig av bruksområdet må du bruke ansiktsvern eller vernebriller. Bruk støvmaske, hørselvern, hansker og verkstedforkle som kan stoppe små slipefragmenter eller deler fra arbeidsstykket. Øyebeskyttelsen må kunne stoppe flygende biter som kan løsne fra arbeidsstykket. Støvmasken eller gassmasken må kunne filtrere partikler som dannes under arbeidet. Langvarig eksponering for høyintensiv støy kan føre til hørselstap.
- ◆ Hold personer i nærheten på trygg avstand fra arbeidsområdet. Personer som går inn i arbeidsområdet, må bruke personlig verneutstyr. Fragmenter fra arbeidsstykket eller ødelagt tilbehør kan fly av gårde, og kan føre til skader langt ut over det umiddelbare arbeidsområdet.
- ◆ Hold elektroverktøyet bare i de isolerte grepene når du utfører et arbeid hvor skjæretilbehøret kan komme i kontakt med skjulte ledninger eller sin egen kabel. Kutteutstyr som kommer i kontakt med en strømførende ledning, kan føre til at eksponerte metalldeleer på elektroverktøyet blir strømførende, og kan gi operatøren støt.
- ◆ Bruk klemmer eller en annen praktisk måte å feste og støtte arbeidsstykket på en stabil plattform. Å holde arbeidsstykket i hendene eller mot kroppen er ustabil og kan føre til at du mister kontrollen.
- ◆ Hold ledningen unna roterende tilbehør. Hvis du mister kontrollen, kan ledningen bli kuttet av eller henge seg fast, og hånden eller armen din kan bli dratt inn i det roterende tilbehøret.
- ◆ Ikke legg elektroverktøyet ned før det har stoppet helt. Det roterende tilbehøret kan ta tak i overflaten og trekke elektroverktøyet ut av kontrollen din.
- ◆ Ikke kjør elektroverktøyet mens du bærer det langs siden.

Utilsiktet kontakt med det roterende tilbehøret kan føre til at det kjører seg fast i klærne dine og trekker tilbehøret inn i kroppen din.

- ◆ **Rengjør luftåpningene på elektroverktøyet jevnlig.** Motorriften vil trekke støvet inn i kabinettet, og overdreven oppsamling av forstøvet metall kan føre til elektriske farlige situasjoner.
- ◆ **Ikke bruk elektroverktøyet i nærheten av brennbare materialer.** Gnister kan antenne dette materialet.
- ◆ **Ikke bruk tilbehør som krever kjølevæske.** Bruk av vann eller andre flytende kjølemidler kan føre til elektrisk støt eller sjokk.

Merk: Advarselen ovenfor gjelder ikke elektroverktøy som er utformet spesielt for bruk sammen med et væskesystem.

Advarsler om tilbakeslag og lignende

Tilbakeslag er en plutselig reaksjon på et fastklemt eller fastkjørt roterende skive, støttetalrken, børste eller annet tilbehør. Hvis det roterende tilbehøret blir klemt eller sitter fast, stanser det brått, og dette tvinger det ukontrollerte elektroverktøyet i motsatt retning av rotasjonen til tilbehøret i koblingspunktet.

For eksempel, hvis en slipeskive kjøres fast eller klemmes fast i arbeidsstykket, kan kanten av den skiven som går inn i klempunktet grave seg inn i overflaten på materialet og føre til at skiven hopper ut eller kastes ut. Skiven kan hoppe mot eller bort fra brukeren avhengig av bevegelsesretningen til skiven i klempunktet. Slipeskiver kan også bli ødelagt under slike forhold.

Tilbakeslag er et resultat av feil bruk av elektroverktøyet og/eller feil bruksprosedyrer eller bruksforhold, og kan unngås ved at du tar riktige forholdsregler som forklart nedenfor.

- ◆ **Hold elektroverktøyet med et fast grep, og stå med kroppen og armene slik at du kan motstå tilbakeslagskrefter.** Bruk alltid hjelpéhåndtak, hvis det følger med, for å ha best mulig kontroll over tilbakeslags- eller dreiningsreaksjoner under start. Brukeren kan kontrollere dreiningsreaksjoner eller tilbakeslagskrefter hvis det tas riktige forholdsregler.
- ◆ **Plasser aldri hånden i nærheten av det roterende tilbehøret.** Tilbehøret kan slå tilbake over hånden.
- ◆ **Ikke plasser kroppen i området der elektroverktøyet vil bevege seg ved tilbakeslag.** Et tilbakeslag vil sende verktøyet i den motsatte retningen av skivens bevegelse i festepunktet.
- ◆ **Vær spesielt varsom når du arbeider ved hjørner, skarpe kanter osv.** Unngå at tilbehøret hopper eller blir sittende fast. Hjørner, skarpe kanter eller hopning har en tendens til å kjøre fast det roterende tilbehøret og føre til tilbakeslag eller at du mister kontrollen.

- ◆ **Ikke sett på et kjedesagblad for tre eller et tannet sagblad.** Slike blad fører ofte til tilbakeslag og at du mister kontrollen.

Spesielle sikkerhetsadvarsler for sliping og slipekuttingsoppgaver

- ◆ **Bruk bare skivetyper som er anbefalt for elektroverktøyet og det spesielle vernet som er utformet for den valgte skiven.** Skiver som elektroverktøyet ikke ble laget for, er ikke tilstrekkelig beskyttet og er farlige.
- ◆ **Slifeplaten på skiver med midtstilt trykk må monteres under planet til leppen på vernet.** Feilmontert hjul som går utenfor planet på beskyttelseskanten kan ikke beskyttes tilstrekkelig.
- ◆ **Vernet må være sikkert festet til elektroverktøyet og må være plassert for maksimal sikkerhet, så en minst mulig del av skiven er eksponert mot brukeren.** Beskyttelsen verner brukeren mot fragmenter fra ødelagte skiver, utilsiktet kontakt med skiven og gnister som kan antenne tøyet.
- ◆ **Skiver må bare brukes til anbefalte anvendelser. For eksempel: ikke slip med siden av kappeskiven.** Slipende kappeskiver er laget for kantsliping, dersom det brukes sidekrefter på disse skivene kan det få dem til å knuses.
- ◆ **Bruk alltid skiveflenser uten skader og med korrekt størrelse og form for den valgte skiven.** Riktige skiveflenser støtter skiven å reduserer på den måten muligheten for at skiven ødelegges. Flenser for kappeskiver kan være annerledes enn flenser for slipeskiver.
- ◆ **Ikke bruk slitte skiver fra større elektroverktøy.** Skiver beregnet på større elektroverktøy er ikke egnet for den høyere hastigheten til et mindre verktøy og kan ødelegges.

Ytterligere spesielle sikkerhetsadvarsler for slipekuttingsoppgaver

- ◆ **Ikke kjør fast kutteskiven, og ikke bruk makt. Ikke forsøk å kutte for dypt.** Hvis skiven overbelastes, kan det øke kreftene og tendensen til å vri eller sette fast skiven i kuttet og øke muligheten for tilbakeslag eller at skiven går i stykker.
- ◆ **Ikke plasser kroppen på linje med og bak den roterende skiven.** Når skiven, i arbeidspunktet, beveger seg bort fra kroppen din, kan et mulig tilbakeslag sende den roterende skiven og elektroverktøyet direkte mot deg.
- ◆ **Når skiven setter seg fast, eller du avbryter et kutt av én eller annen grunn, må du slå av elektroverktøyet og holde det uten å bevege det til skiven stanser helt. Forsøk aldri å fjerne kappeskiven fra kuttet mens skiven beveger seg ellers kan det oppstå tilbakeslag.**

Undersøk og sørg for å fjerne årsakene til fastklemming av bladet.

- ◆ **Ikke start kutteoperasjonen på nytt i arbeidsstykket. La skiven nå full hastighet og gå forsiktig tilbake i kuttet.** Skiven kan komme til å sette seg fast, bevege seg framover eller slå tilbake dersom den startes opp igjen i arbeidsstykket.
- ◆ **Støtt plater eller andre store arbeidsstykker for å minimere risikoen for klemming av skiven og tilbakeslag.** Store arbeidsstykker har en tendens til å henge ned under sin egen vekt. Det må plasseres støtter under arbeidsstykket på begge sider av skiven, nær kuttelinjen og nær kanten av panelet.
- ◆ **Vær ekstra varsom når du kutter en "lomme" i eksisterende vegger eller andre steder du ikke ser.** Skiven stikker ut og kan komme til å kappe gass- eller vannrør, elektriske ledninger eller gjenstander som kan føre til tilbakeslag.

Spesielle sikkerhetsadvarsler for pussing

- ◆ **Ikke bruk for store sandpapisriver. Følg produsentens anbefalinger når du velger sandpapir.** Sandpapir som er større enn pusseskiven, kan føre til opprinningsfare, og tilbakeslag eller at skiven kjører seg fast eller flenges opp.

Spesielle sikkerhetsadvarsler for trådbørsting

- ◆ **Vær klar over at tråder fra busten kastes ut av børsten selv ved vanlig bruk. Ikke overbelast busten ved å bruke for mye makt på børsten.** Stålbusten kan lett trenge i gjennom lette klær og/eller hud.
- ◆ **Hvis bruk av et vern er anbefalt for trådbørsting, må ikke trådkiven eller børsten komme i kontakt med vernet.** Diameteren til trådkiven eller børsten kan øke på grunn av arbeidsbelastning og sentrifugalkrefter.

Andre personers sikkerhet

- ◆ Dette apparatet er ikke ment for bruk av personer (inkludert barn) med redusert fysiske, sensoriske eller mentale evner, eller mangel på erfaring og kunnskap, med mindre de får tilsyn eller har blitt opplært i bruk av apparatet av en person ansvarlig for deres sikkerhet.
- ◆ Barn må holdes under oppsyn, sørg for at de ikke leker med apparatet.

Restrisikoer

Når verktøyet brukes, kan det oppstå ytterligere risikoer som kanskje ikke er beskrevet i de medfølgende sikkerhetsadvarslene.

Disse risikoene kan bli forårsaket av feil bruk, langvarig bruk osv. Selv om de relevante sikkerhetsbestemmelsene blir fulgt, og sikkerhetstiltakene blir gjennomført, kan visse gjenværende risikoer ikke unngås. Disse inkluderer:

- ◆ Personskader som forårsakes av berøring av en roterende/bevegelig del.
- ◆ Personskader som oppstår ved skifte av deler, blader eller tilbehør.
- ◆ Personskader som skyldes for lang tids bruk av verktøyet. Når du bruker et verktøy i lange perioder, må du sørge for å ta regelmessige pauser.
- ◆ Hørselskader.
- ◆ Helsefærer forårsaket av innånding av støv som utvikler seg når du bruker verktøyet (eksempel: arbeid med tre, spesielt eik, bøk og MDF.)

Vibrasjon

Vibrasjonsemissionsverdien som er angitt under tekniske data og samsvarserklæring, er blitt målt i henhold til en standard testmetode som er angitt i EN 60745, og kan brukes til å sammenligne et verktøy med et annet. Den oppgitte vibrasjonsemissionsverdien kan også brukes til en foreløpig vurdering av eksponering.

Advarsel! Vibrasjonsemissionsverdien under faktisk bruk av elektroverktøyet kan avvike fra den oppgitte verdien avhengig av måten verktøyet blir brukt på. Vibrasjonsnivået kan øke over nivået som er oppgitt.

Når det vurderes vibrasjonseksponering for å avgjøre hvilke sikkerhetstiltak som kreves ifølge 2002/44/EF, for å beskytte personer som bruker elektroverktøy regelmessig til arbeidsformål, skal det, når vibrasjonseksponeringen anslås, tas hensyn til de faktiske bruksforholdene og måten verktøyet blir brukt på. Dette inkluderer å ta hensyn til alle deler av brukssyklusen, for eksempel når verktøyet er avslått, når det går på tomgang og når utløseren er trykket inn.

Etiketter på verktøyet

De følgende symbolene sammen med datokode vises på apparatet:



Advarsel! Brukeren må lese håndboken for å redusere risikoen for personskade.



Benytt vernebriller når du bruker dette produktet.



Benytt hørselsvern når du bruker dette verktøyet

Elektrisk sikkerhet



Denne laderen er dobbeltisoleret. Jording er derfor ikke nødvendig. Kontroller alltid at nettspenningen er i overensstemmelse med spenningen på typeskiltet.

- ◆ Hvis strømledningen blir skadet, må den byttes av produsenten eller et autorisert BLACK+DECKER-servicesenter for å unngå fare.

Spenningsfall

Høyt strømforbruk i korte perioder kan føre til kortvarige spenningsfall. Under uheldige forhold når det gjelder strømtilførsel, kan annet utstyr bli berørt.

Hvis systemimpedansen for strømforsyningen er mindre enn 0,107 Ω , er det lite sannsynlig at det oppstår forstyrrelser.

Funksjoner

Dette verktøyet har noen av eller alle følgende egenskaper.

1. På-/av-bryter
2. Spindellås
3. Beskyttelse
4. Sidehåndtak

Montering

Advarsel! Før monteringen må du passe på at verktøyet er slått av, og at støpselet er trukket ut.

Sette inn og ta ut beskyttelsen (figur A1, A2)

Verktøyet leveres med et vern som er beregnet bare for slipeoppgaver (type 27). Hvis hensikten er å bruke verktøyet til kutting, må det monteres et vern (type 41) som er utformet spesielt for denne bruken. En egnet beskyttelse med delenummer N642463 (for 115 mm kutteskive) kan du finne på BLACK+DECKER-servicesentre.

- ◆ Plasser verktøyet på et bord med spindelen (5) vendt oppover.
- ◆ Plasser tappene (7) i forhold til hakkene (8).
- ◆ Trykk vernet ned, og dreii det med klokken til den ønskede stillingen.
- ◆ Stram til skruen (6) for å feste vernet.

Demontering

- ◆ Løsne skruen (6).
- ◆ Drei vernet mot klokken for å plassere tappene (7) i forhold til hakkene (8).
- ◆ Fjern vernet fra verktøyet.

Advarsel! Bruk aldri verktøyet uten beskyttelsesskjermer.

Montere sidehåndtaket

- ◆ Skru sidehåndtaket (4) inn i et av monteringshullene i verktøyet.

Advarsel! Bruk alltid sidehåndtaket.

Montere og demontere slipeskiver (figur B–D)

Bruk alltid riktig type skive for anvendelsen. Bruk alltid skiver med riktig diameter og hulldimensjon (se tekniske data).

Montering

- ◆ Monter beskyttelsesskjermer som beskrevet ovenfor.
- ◆ Sett den indre flensen (10) på spindelen (5) som vist (figur B). Pass på at flensen er riktig plassert på de flate sidene av spindelen.
- ◆ Sett skiven (11) på spindelen (5) som vist (figur B). Hvis skiven er opphøyd på midten (12), må du passe på at den opphøyde midtdelen er vendt mot den indre flensen.
- ◆ Pass på at skiven plasseres korrekt på den indre flensen.
- ◆ Plasser den ytre flensen (13) på spindelen. Når du monterer en slipeskive, skal den opphøyde midtdelen på den ytre flensen vende mot skiven (A i figur C). Når du monterer en kutteskive, skal den opphøyde midtdelen på den ytre flensen vende bort fra skiven (B i figur C).
- ◆ Hold spindellåsen (2) nedklemt, og stram den ytre flensen med nøkkelen (14) med to tapper (figur D).

Demontering

- ◆ Hold spindellåsen (2) nedklemt, og løsne den ytre flensen (13) med nøkkelen (14) med to tapper (figur D).
- ◆ Fjern den ytre flensen (13) og skiven (11).

Overflatesliping med slipeskiver

- ◆ La verktøyet komme opp i full hastighet før du lar det berøre arbeidsoverflaten.
- ◆ Bruk minimalt trykk mot arbeidsflaten for å la verktøyet gå med full hastighet. Slipehastigheten er høyest når verktøyet går med høy hastighet.
- ◆ La det være en vinkel på 20° til 30° mellom verktøyet og arbeidsoverflaten som vist på figur F.
- ◆ Flytt verktøyet kontinuerlig i en bevegelse fremover og bakover for å unngå å lage uthulinger i arbeidsoverflaten.
- ◆ Løft verktøyet fra arbeidsflaten før du slår verktøyet av. La verktøyet stoppe rotasjonen før du legger det ned.

Kantsliping med slipeskiver

Skiver som brukes til kutting og kantsliping, kan gå i stykker eller slå tilbake hvis de bøyer eller vrir seg mens verktøyet brukes til hjulkutting eller dysliping. Kantsliping/kutting med et type 27 hjul må begrenses til grunn kutting og innskjæring, mindre enn 13 mm i dybde når hjulet er nytt. Reduser dybden på kuttet/innskjæringen likt som reduksjonen av hjulets radius når det slites ned. Se "Slipe og kuttetilbehørdiagram" bak i denne bruksanvisningen for mer informasjon. Kantsliping/kutting med et type 41 hjul krever bruk av et type 41 vern.

- ◆ La verktøyet komme opp i full hastighet før du lar det berøre arbeidsoverflaten.
- ◆ Bruk minimalt trykk mot arbeidsflaten for å la verktøyet gå med full hastighet. Slipehastigheten er høyest når verktøyet går med høy hastighet.
- ◆ Plasser deg slik at den åpne undersiden av hjulet peker bort fra deg.

- ◆ Når du har startet et kutt og har laget et spor i arbeidsstykket, ikke endre vinkelen på kuttet. Endring av vinkelen kan føre til at skiven bøyer seg og kan brekke. Skiver for kantsliping er ikke designet for å motstå sidetrykk fra bøyning.
- ◆ Løft verktøyet fra arbeidsflaten før du slår verktøyet av. La verktøyet stoppe rotasjonen før du legger det ned.

Advarsel! Ikke bruk skiver for kantsliping/kapping for sliping av overflater, da slike skiver ikke er designet for sidetrykk som oppstår ved overflatesliping. Det kan føre til at skivene brekker og til alvorlige personskader.

Sette på og ta av sandpapirskiver (figur D og E)

Ved pussing kreves en underlagsskive. Underlagsskiven er tilgjengelig hos BLACK+DECKER forhandleren som tilbehør.

Montering

- ◆ Sett den indre flensen (10) på spindelen (5) som vist (figur E). Pass på at flensen er riktig plassert på de flate sidene av spindelen.
- ◆ Plasser underlagsskiven (15) på spindelen.
- ◆ Plasser sandpapirskiven (16) på underlagsskiven.
- ◆ Plasser den ytre flensen (13) på spindelen med den opphøyde midtdelen vendt bort fra skiven.
- ◆ Hold spindellåsen (2) nedklemt, og stram den ytre flensen med nøkkelen (14) med to tapper (figur D). Pass på at den ytre flensen er riktig montert, og at skiven er klemt godt fast.

Demontering

- ◆ Hold spindellåsen (2) nedklemt, og løsne den ytre flensen (13) med nøkkelen (14) med to tapper (figur D).
- ◆ Fjern den ytre flensen (13), sandpapirskiven (16) og underlagsskiven (15).

Overflatefinpussing med sandpapirskiver

- ◆ La verktøyet komme opp i full hastighet før du lar det berøre arbeidsoverflaten.
- ◆ Bruk minimalt trykk mot arbeidsflaten for å la verktøyet gå med full hastighet. Slipeshastigheten er høyest når verktøyet går med høy hastighet.
- ◆ La det være en vinkel på 5° til 10° mellom verktøyet og arbeidsoverflaten som vist på figur G.
- ◆ Flytt verktøyet kontinuerlig i en bevegelse fremover og bakover for å unngå å lage uthulinger i arbeidsoverflaten.
- ◆ Løft verktøyet fra arbeidsflaten før du slår verktøyet av. La verktøyet stoppe rotasjonen før du legger det ned.

Bruke pusseunderlagsskiver

Velg passende sandpapirskiver for din bruk. Sandpapirskiver kan leveres med ulik finhet. Grovt papir gir raskere sliping og grovere overflate. Fint papir gir langsommere sliping og glattere overflate.

Begynn med grovt papir for rask og grov materialfjerning. Gå over til middels finhet og avslutt med fint sandpapir for optimal overflatefinish.

- ◆ Grov = 16–30.
- ◆ Middels = 36–80.
- ◆ Fin finishing = 100–120.
- ◆ Svært fin finishing = 150–180.
- ◆ La verktøyet komme opp i full hastighet før du lar det berøre arbeidsoverflaten.
- ◆ Bruk minimalt trykk mot arbeidsflaten for å la verktøyet gå med full hastighet. Slipeshastigheten er høyest når verktøyet går med høy hastighet.
- ◆ Oppretthold en vinkel på 5° til 10° mellom verktøyet og arbeidsoverflaten som vist på figur H. Sandpapirskiven skal kontakte omtrent 25mm av arbeidsoverflaten.
- ◆ Beveg verktøyet konstant i en rett linje for å unngå sviing eller sirkelspor på arbeidsflaten. Dersom du lar verktøyet hvile mot arbeidsflaten uten å bevege det, eller beveger verktøyet i sirkler kan føre til svimerker eller sirkelspor på arbeidsflaten.
- ◆ Løft verktøyet fra arbeidsflaten før du slår verktøyet av. La verktøyet stoppe rotasjonen før du legger det ned.

Forholdsregler ved sliping av maling

- ◆ Sliping av blyholdig maling er **IKKE ANBEFALT** grunnet vanskeligheten med å kontrollere det forurensete støv. Den største faren for blyforgiftning er for barn og gravide kvinner.
- ◆ Ettersom det er vanskelig å identifisere hvorvidt en maling inneholder bly uten en kjemisk analyse anbefaler vi følgende forholdsregler ved sliping av maling:
 - ◆ Ingen barn eller gravide kvinner skal gå inn i arbeidsområdet under sliping av maling før all opprydding er gjort ferdig.
 - ◆ En støvmaske eller respirator skal brukes av alle personer som går inn i arbeidsområdet. Filteret skal skiftes daglig eller når brukeren har problemer med å puste.

Merk: Det skal kun brukes spesielle støvmasker for blyholdig maling og damp. Vanlige malmasker gir ikke nok beskyttelse. Se din lokale jernvareforretning for en riktig godkjent maske.

- ◆ INGEN SPISING, DRIKKING eller RØYKING skal foregå i arbeidsområdet for å hindre inntak av forurensete malingspartikler. Arbeidere må vaske seg FØR spising, drikking eller røyking. Mat-, drikke-, og røykartikler må ikke legges igjen i arbeidsområdet der støv kan legges seg på dem.
- ◆ Maling må fjernes på en slik måte at minimalt med støv produseres.
- ◆ Områder der det foregår fjerning av maling bør forsegles med plast med 4 mil tykkelse.
- ◆ Sliping må gjøres på en slik måte at malingstøv ikke tas med utenfor arbeidsområdet.

- ◆ Alle overflater i arbeidsområdet må støvsuges og grundig rengjøres daglig mens slipingen pågår. Støvsugerposer skal byttes ofte.
- ◆ Plasser plastfilm for oppsamling av støv, fliser og annet avfall. De skal plasseres i forseglede avfallsbeholdere og kastes som vanlig avfall. Under rengjøring skal barn og gravide kvinner holdes unna arbeidsområdet.
- ◆ Alle leketøy, vaskbar møbler og ting brukt av barn må vaskes grundig før de brukes igjen.

Montering og bruk av stålborster og stålborstehjul

Stålkoppborster eller stålborstehjul skrues direkte på spindelgjengene uten bruk av flenser. b. En type 27 vern kreves når du bruker stålborster og hjul. Bruk arbeidshansker når du jobber med stålborster og - skiver. De kan være skarpe. Skiver eller borster må ikke berøre beskyttelsesanordningen ved montering eller under bruk. Tilbehøret kan få usynlige skader, som kan føre til at stålfragmenter løsner fra tilbehør eller børste.

- ◆ Skru skiven på spindelen for hånd.
- ◆ Trykk ned spindellåsknappen og bruk en nøkkel på navet til stålskiven eller- børsten for å stramme skiven.
- ◆ For å fjerne hjulet, gjenta prosedyren over i motsatt rekkefølge.

Advarsel! Hvis ikke skiven er festet skikkelig før du slår på verktøyet kan verktøyet eller skiven skades. Stålborster/hjul kan brukes for å fjerne rust, skall og maling og for å glatte ujevne overflater.

Merk: Samme forholdsregler må tas når du trådborster maling som når du pusser maling.

- ◆ La verktøyet komme opp i full hastighet før du lar det berøre arbeidsoverflaten.
- ◆ Bruk minimalt trykk mot arbeidsflaten for å la verktøyet gå med full hastighet. Slipeshastigheten er høyest når verktøyet går med høy hastighet.
- ◆ La det være en vinkel på 5° til 10° mellom verktøyet og arbeidsoverflaten for trådkoppborster som vist på figur 1.
- ◆ Oppretthold kontakt mellom kanten av skiven og arbeidsflaten når du bruker stålborste.
- ◆ Flytt verktøyet kontinuerlig i en bevegelse fremover og bakover for å unngå å lage uthulinger i arbeidsoverflaten. Dersom du lar verktøyet hvile mot arbeidsflaten uten å bevege det, eller beveger verktøyet i sirkler kan føre til svimerker eller sirkelspor på arbeidsflaten.
- ◆ Løft verktøyet fra arbeidsflaten før du slår verktøyet av. La verktøyet stoppe rotasjonen før du legger det ned.

Advarsel! Vær ekstra forsiktig ved arbeid på en kant, da en plutselig rask bevegelse av slipemaskinen kan oppleves.

Montere og bruke kuttehjul (type 41)

Kappehjul omfatter diamanthjul og slipeskiver. Slipeskiver kan leveres for kapping i metall og betong. Diamanthskeer kan også brukes for kapping i betong.

MERK: Et lukket 2-sidig type 41 kutteskivevern som selges separat er nødvendig ved bruk av kappehjul. Dersom det ikke brukes korrekt flens og beskyttelse, kan det oppstå personskader ved brudd i skiven og kontakt med skiven. Det må brukes støtteflens og festemutter med passende diameter (følger med verktøyet) for kappehjulene.

Montering av lukket (type 41) beskyttelse (figur J, K)

- ◆ Plasser tappene på vernet i forhold til fordyppningene i navet. Dette vil rette tappene med sporene på girkassedekselet som vist på figur J.
- ◆ Trykk beskyttelsen ned, helt til knastene får tak i sporet på girkassen.
- ◆ Roter vernet med klokken for å låse det på plass. Beskyttelsen skal plasseres mellom spindelen og brukeren for å gi maksimal beskyttelse.
- ◆ Trekk til låseskruen for å sikre vernet på girkassedekselet. Det skal være umulig for deg å rotere vernet for hånd. Ikke bruk sliperen med et løst vern.
- ◆ For å fjerne vernet skal du løsne vernlåskskruen. Så skal du rotere vernet slik at de tre tappene på vernet innretter seg med de tre sporene på navet og dra opp vernet.

Montere kuttehjul

- ◆ Sett den ugjengede støtteflensen på spindelen med forhøyet senter opp (pilot) skal peke oppover. Det forhøyet senteret (pilot) på støtteflensen er mot hjulet når det monteres.
- ◆ Legg skiven på støtteflensen, sentrer hjulet på det forhøyet senteret (pilot).
- ◆ Installer den gjengede festemutteren med forhøyet senter (pilot) bort fra hjulet.
- ◆ Trykk ned spindellåsknappen og stram festemutteren med skiffenøkkelen som følger med.
- ◆ For å fjerne hjulet, hold nede spindellåsknappen og løsne den gjengede festemutteren med skiffenøkkelen som følger med.

Advarsel! Ikke bruk skiver for kantsliping/kapping for sliping av overflater, da slike skiver ikke er designet for sidetrykk som oppstår ved overflatesliping. Det kan føre til at skivene brekker og til personskader.

- ◆ La verktøyet komme opp i full hastighet før du lar det berøre arbeidsoverflaten.
- ◆ Bruk minimalt trykk mot arbeidsflaten for å la verktøyet gå med full hastighet. Slipeshastigheten er høyest når verktøyet går med høy hastighet.
- ◆ Når du har startet et kutt og har laget et spor i arbeidsstykket, ikke endre vinkelen på kuttet. Endring av vinkelen kan føre til at skiven bøyer seg og kan brenke.
- ◆ Løft verktøyet fra arbeidsflaten før du slår verktøyet av. La verktøyet stoppe rotasjonen før du legger det ned.

Bruk

Advarsel! La verktøyet arbeide i sin egen hastighet. Må ikke overbelastes.

- ◆ Før ledningen med varsomhet for å unngå å kutte den ved et uhell.
- ◆ Vær forberedt på en strøm av gnister når slipe- eller kutteskiven berører arbeidsstykket.
- ◆ Plasser alltid verktøyet slik at vernet gir maksimal beskyttelse mot slipe- eller kutteskiven.

Slå på og av

- ◆ Trykk på av/på-knappen (1) for å slå verktøyet på.
- ◆ Slipp opp på/av-bryteren (1) for å slå verktøyet av.

Advarsel! Ikke slå verktøyet av mens det er belastet.

Råd for optimal bruk

- ◆ **Hold verktøyet fast med den ene hånden rundt sidehåndtaket og den andre hånden rundt hovedhåndtaket.**
- ◆ Når du sliper, må du alltid opprettholde en vinkel på ca. 15° mellom skiven og arbeidsstykkets overflate.

Vedlikehold

BLACK+DECKER-apparatet/-verktøyet med ledning/batteri er laget for å brukes over lang tid med et minimum av vedlikehold. For at den skal fungere tilfredsstillende over tid, er det viktig å sørge for riktig stell av verktøyet og regelmessig renhold.

Advarsel! Før du utfører vedlikehold på elektriskdrevet/ batteridrevet elektroverktøy:

- ◆ Slå av apparatet/verktøyet og trekk ut støpselet.
- ◆ Eller slå av apparatet/verktøyet og fjern batteriet fra dette hvis apparatet/verktøyet har separat batteripakke.
- ◆ Eller la batteriet gå helt tomt hvis det er innebygd, og slå deretter av.
- ◆ Trekk ut laderen fra stikkkontakten før du rengjør den. Laderen krever ikke annet vedlikehold enn regelmessig rengjøring.
- ◆ Rengjør ventilasjonsåpningene i apparatet/verktøyet/ laderen jevnlig med en myk børste eller tørr klut.
- ◆ Rengjør motorhuset regelmessig med en fuktig klut. Ikke bruk slipende eller løsemiddelbaserte rengjøringsmidler.
- ◆ Åpne borelåsen regelmessig, og bank på den for å fjerne eventuelt støv fra innsiden (hvis det er aktuelt).

Skifte støpsel (bare Storbritannia og Irland)

Dersom du trenger å sette på et nytt støpsel:

- ◆ Kast det gamle støpselet på en trygg måte.
- ◆ Koble den brune ledningen til den strømførende terminalen i det nye støpselet.
- ◆ Koble den blå ledningen til den nøytrale terminalen.





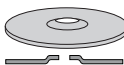

Advarsel! Jordingslederen skal ikke kobles til.

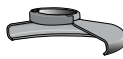
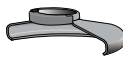


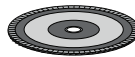

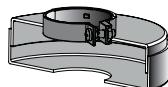
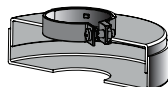
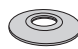
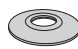
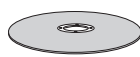
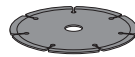






Følg monteringsanvisningen som medfølger støpsler av god kvalitet. Anbefalt sikring: 13 A.




Feilsøking

Problem	Mulig årsak	Mulig løsning
Enheten starter ikke.	Strømkabelen er ikke satt inn. Strømkabel eller bryter er skadet.	Sett inn strømkabelen i en fungerende stikkontakt. Få byttet ledningen eller bryteren ved et BLACK+DECKER-servicesenter eller et autorisert verksted.)

Diagram over tilbehør for sliping og kutting

Slipeskiver	
 Type 27-vern	 Type 27-vern
 Ujengnet bakre flens	 Type 27 hjul med nav
 Type 27-skive med midtstilt trykk	
 Gjengnet klemmemutter	

Sandpapir-lamellskiver	
 Type 27-vern	 Type 27-vern
 Sandpapir lamellskiver med nav	 Ujgenget bakre flens
	 Sandpapir lamellskiver uten nav
	 Gjenget klemmemutter
Type 41 kappskiver	
 Type 41-vern	 Type 41-vern
 Underlagsflens	 Underlagsflens
 Kappskive	 Diamantkutteskiver
 Klemmemutter	 Klemmemutter
Trådskiver	
 Type 27-vern	 Type 27-vern
 3 tomers stålborstekopp	 4 tomers stålborstekopp

Sandpapirskiver
 Underlagsskive i gummi
 Sandpapirskive
 Gjenget klemmemutter

Miljøvern



Separat avfallshåndtering. Produkter og batterier merket med dette symbolet skal ikke kastes i vanlig husholdningsavfall.

Produkter og batterier inneholder materialer som kan gjenbrukes eller gjenvinnes for å redusere behovet for nye råmaterialer.

Vennligst lever elektrisk utstyr og batterier til gjenbruk i henhold til lokale regler. Mer informasjon finner du på www.2helpU.com

Tekniske data

BEG010 Type 1		
Inngangsspennning	V_{AC}	230
Inngangseffekt	W	710
Merkehastighet	min ⁻¹	12000
Skivehulldimensjon	mm	22

Maks. skivetykkelse		
	mm	6
Kutteskiver	mm	3.5
Spindelstørrelse		M14
Vekt	Kg	1,7

Lydtryknivå i henhold til EN 60745:

Lydeffekt (L_{WA}) 89 dB(A), usikkerhet (K) 3 dB(A)

Lydeffekt (L_{WA}) 100 dB(A), usikkerhet (K) 3 dB(A)

Totale vibrasjonsverdier (triaks vektorsum) bestemt i samsvar med EN 60745:

Overflatesliping ($a_{h,d}$) 5,1 m/s², usikkerhet (K) 1,5 m/s²

Avkutting ($a_{h,cc}$) 4,8 m/s², usikkerhet (K) 1,5 m/s²

Sandpapirpusing med skive ($a_{h,ds}$) 6,6 m/s², usikkerhet (K) 1,5 m/s²

EF-samsvarserklæring MASKINDIREKTIVET



BEG010 Kantsliper

Black & Decker erklærer at disse produktene, som er beskrevet under "Tekniske data", er i samsvar med:

2006/42/EF, EN 60745-1:2009 + A11:2010;

EN 60745-2-3:2011 + A2:2013 + A11:2014

+ A12:2014 + A13:2015

Disse produktene er også i samsvar med direktiv 2014/30/EF og 2011/65/EF.

Hvis du ønsker mer informasjon, kan du kontakte Black & Decker på adressen under eller se baksiden av bruksanvisningen.

Undertegnede er ansvarlig for utarbeidelsen av den tekniske dokumentasjonen og gir denne erklæringen på vegne av Black & Decker.

R. Laverick
Director of Engineering
Black & Decker Europe, 210 Bath Road, Slough,
Berkshire, SL1 3YD
Storbritannia
27.09.2017

Garanti

Black & Decker er trygg på kvaliteten av produktene sine og tilbyr en 24 måneders garanti fra kjøpsdato. Denne garantierklæringen kommer i tillegg til dine lovbestemte rettigheter og er ikke i konflikt med disse. Garantien er gyldig innen områdene tilhørende medlemslandene i den Europeiske Union (EU) og det Europeiske Frihandelsområdet (EFTA).

For å ta garantien i bruk må kravet være i samsvar med kjøpsbetingelsene fra Black&Decker og du må vise kjøpskvittering til forhandleren eller til et autorisert serviceverksted. Betingelsene for Black & Deckers 2 års garanti og adressen til din nærmeste autoriserte serviceverksted kan du finne på internett under www.2helpU.com, eller ved å kontakte ditt lokale Black & Decker kontor, adressen er angitt i denne bruksanvisningen.

Besøk vår webside www.blackanddecker.co.uk for å registrere ditt nye Black & Decker-produkt og for å holde deg oppdatert om nye produkter og spesialtilbud.

(Oversættelse af de oprindelige instruktioner)

DANSK

Tilsigtet brug

Din BLACK+DECKER BEG010 vinkelsliber er konstrueret til slibning og skæring i metal og murværk ved anvendelse af de passende type skære- eller slibesliver. Når det er udstyret med den rette beskyttelse. Dette værktøj er kun beregnet til privat brug.

Sikkerhedsinstruktioner

Generelle sikkerhedsadvarsler vedrørende elværktøj



Advarsel! Læs alle sikkerhedsadvarsler og alle instruktioner. Hvis efterfølgende advarsler og instruktioner ikke følges, er der risiko for elektrisk stød, brand og alvorlige kvæstelser.

Gem alle advarsler og instruktioner til fremtidig reference. Begrebet "elværktøj", der benyttes i nedenstående advarsler, henviser til netdrevet elværktøj (med netledning) eller batteridrevet elværktøj (uden netledning).

1. Sikkerhed i arbejdsområdet

- Hold arbejdsområdet rent og ordentligt oplyst.** Rodede eller mørke områder giver anledning til ulykker.
- Brug ikke elværktøj i eksplosive omgivelser, f.eks. hvor der er brændbare væsker, gasser eller støv.** Elværktøj danner gnister, der kan antænde støv eller dampe.
- Hold børn og andre personer i nærheden på afstand, når der arbejdes med elværktøj.** Distractioner kan medføre, at du mister kontrollen.

2. Elektricitet og sikkerhed

- Elværktøjets stik skal passes til kontakten. Stikket må aldrig modificeres på nogen måde. Undlad at bruge adapterstik sammen med (jordforbundet) elektrisk værktøj.** Umodificerede stik og dertil passende stikkontakter reducerer risikoen for elektrisk stød.

- b. **Undgå kropskontakt med jordforbundne overflader som f.eks. rør, radiatorer, komfurer og køleskabe.** Der er øget risiko for elektrisk stød, hvis din krop er jordforbundet.
- c. **Udsæt ikke elværktøj for regn, og brug det ikke, hvor omgivelserne er våde.** Hvis der trænger vand ind i et elektrisk værktøj, øges risikoen for elektrisk stød.
- d. **Pas på, at ledningen ikke beskadiges. Brug aldrig ledningen til at bære, trække værktøjet eller trække det ud af stikkontakten. Hold ledningen borte fra varme, olie, skarpe kanter og bevægelige dele.** Beskadigede eller sammenfildrede ledninger øger risikoen for elektrisk stød.
- e. **Hvis elværktøj benyttes i det fri, skal der benyttes en forlængerledning, som er godkendt til udendørs brug.** Brug af en ledning, der er egnet til udendørs brug, reducerer risikoen for elektrisk stød.
- f. **Brug en strømkilde med fejlstrømsrelæ, hvis det er nødvendigt at anvende elværktøj på fugtige steder.** Ved at benytte en fejlstrømsafbryder reduceres risikoen for elektrisk stød.
- 3. Personssikkerhed**
- a. **Vær opmærksom, hold øje med, hvad du laver og brug elværktøjet fornuftigt. Betjen ikke værktøjet, hvis du er træt, påvirket af narkotika, alkohol eller medicin.** Et øjeblik uopmærksomhed under anvendelse af et elektrisk værktøj kan forårsage alvorlige kvæstelser.
- b. **Brug personligt beskyttelsesudstyr. Bær altid beskyttelsesbriller.** Det er muligt at reducere risikoen for kvæstelser ved alt efter omstændighederne at anvende det passende sikkerhedsudstyr såsom støvmaske, skridsikre sikkerhedssko, sikkerhedshjelm eller høreværn.
- c. **Træf forholdsregler, så utilsigtet start ikke er mulig. Kontrollér, at afbryderkontakten står på slukket, inden værktøjet tilsluttes strømkilden og/eller batteriet, samles op eller bæres.** Når elektrisk værktøj bæres med fingeren på kontakten eller tilsluttes, når kontakten er tændt, giver det anledning til ulykker.
- d. **Fjern indstillingsnøgle eller skrue nøgle, inden elværktøjet startes.** En skrue nøgle eller anden nøgle, der bliver siddende på en roterende del af elektrisk værktøj, kan give anledning til personskade.
- e. **Stræk dig ikke for langt. Hold hele tiden en god fodstilling og balance.** Dette udgør at du har bedre kontrol over det elektriske værktøj, når uventede situationer opstår.
- f. **Brug egnet arbejdstøj. Bær ikke løst tøj eller smykker. Hold dit hår, tøj og handsker væk fra bevægelige dele.**
- g. **Hvis der kan monteres støvudsugnings- og opsamlingsudstyr, skal dette tilsluttes og benyttes korrekt.** Anvendelse af støvsamlingsudstyr kan begrænse farer forårsaget af støv.
- 4. Brug og vedligeholdelse af elværktøj**
- a. **Overbelast ikke elværktøjet. Brug det elværktøj, der er bedst egnet til det arbejde, der skal udføres.** Det korrekte elværktøj klarer opgaven bedre og mere sikkert med den effekt, som det er konstrueret til.
- b. **Brug ikke elværktøjet, hvis afbryderkontakten er defekt.** Alt elektrisk værktøj, der ikke kan kontrolleres med kontakten, er farligt og skal repareres.
- c. **Træk stikket ud af stikkontakten og/eller batteriet inden indstilling, tilbehørsudskiftning eller opbevaring af elværktøjet.** Sådanne forebyggende sikkerhedsforanstaltninger mindsker risikoen for, at værktøjet startes utilsigtet.
- d. **Opbevar ubenyttet elværktøj uden for børns rækkevidde. Lad aldrig personer, der ikke er fortrolige med elværktøjet, eller som ikke har læst denne vejledning, benytte maskinen.** El-værktøj er farligt i hænderne på personer, som ikke er instrueret i brugen deraf.
- e. **Elværktøj skal vedligeholdes. Kontroller, om bevægelige dele er skæve og ikke sidder fast, og om delene er brækket eller beskadiget, så elværktøjets funktion påvirkes.** Hvis det elektriske værktøj er beskadiget, skal det repareres før brug. Mange ulykker er forårsaget af dårligt vedligeholdt værktøj.
- f. **Hold skæreværktøj skarpt og rent.** Ordentligt vedligeholdt skæreværktøj med skarpe skærekanter har mindre tilbøjelighed til at binde og er lettere at styre.
- g. **Brug elværktøjet, tilbehøret, værktøjsindsatser osv. i overensstemmelse med disse instruktioner under hensyntagen til arbejdsforholdene og arbejdet, der skal udføres med værktøjet.** Brug af elektrisk værktøj til andre opgaver end dem, det er beregnet til, kan resultere i en farlig situation.
- 5. Service**
- a. **Lad kun fagkyndige personer reparere elværktøjet og benyt kun originale reservedele.** Derved sikres det, at værktøjets driftssikkerhed opretholdes.
- Yderligere sikkerhedsadvarsler for elværktøj**



Advarsel! Yderligere sikkerhedsadvarsler som er almindelige i forbindelse med tilslibning, slibning med sandpapir, stålborstning eller afskæring ved slibning:

- ◆ Dette elværktøj er beregnet til at fungere som slibemaskine, slibning med sandpapir, stålborster, polerings- og afskæringsværktøj. Læs alle sikkerhedsadvarsler, instruktioner, illustrationer og specifikationer, der følger med dette elværktøj. Manglende overholdelse af alle nedenstående instruktioner kan medføre elektrisk stød, brand og/eller alvorlige kvæstelser.
- ◆ Anden brug end den, elværktøjet er fremstillet til, kan udgøre en fare og forårsage personskade.
- ◆ Anvend ikke tilbehør, der ikke er specifikt designet og anbefalet af værktøjets producent. Blot fordi tilbehøret kan påsættes værktøjet, garanterer det ikke sikker betjening.
- ◆ Tilbehørets nominelle hastighed skal mindst være lig med den maksimale hastighed, der er angivet på elværktøjet. Tilbehør, der kører hurtigere end dets nominelle hastighed, kan gå itu og flyve væk.
- ◆ Tilbehørets udvendige diameter og tykkelse skal ligge inden for elværktøjets nominelle kapacitet. Tilbehør med forkert størrelse kan ikke afskærmes eller kontrolleres i tilstrækkelig grad.
- ◆ Ved montering af tilbehør med skruer skal disse passe til slibespindelgevindet. For tilbehør monteret med flanger skal dornhullet på tilbehøret passe til flangens diameter. Tilbehør, der ikke passer til elværktøjets monteringsudstyr, roterer med ujævne bevægelser og vibrerer for meget, hvilket kan medføre, at du mister kontrollen.
- ◆ Brug ikke beskadiget tilbehør. Før brug af tilbehør skal f.eks. slibeskiver undersøges for skår og revner, støttepuder for revner eller slid og stålborste for løse eller knækkede tråde. Hvis elværktøjet eller tilbehøret tabes, bør det undersøges for beskadigelser, eller der bør monteres ubeskadiget tilbehør. Efter inspektion og montering af et tilbehør skal elværktøjet køre ved maksimal hastighed uden belastning i et minut. Beskadiget tilbehør vil normalt gå i stykker under denne testkørsel.
- ◆ Anvend personligt beskyttelsesudstyr. Afhængig af brugen bør du anvende ansigtsskærm eller beskyttelsesbriller. Hvis det er nødvendigt, skal du anvende støvmaske, høreskyttelse, handsker og et arbejdsforklæde, der kan modstå små slibepartikler eller arbejdsemnefragmenter. Øjenbeskyttelsen skal kunne stoppe flyvende fremmedlegemer, der opstår som følge af de forskellige betjening. Støvmasken eller åndedrætsværnet skal kunne filtrere partikler, der opstår ved arbejdet. Forlænget eksponering for høj, intens støj kan forårsage høreskader.
- ◆ Hold omkringstående på sikker afstand af arbejdsområdet.

Personer, der befinder sig i arbejdsområdet, skal anvende personligt beskyttelsesudstyr. Fragmenter af arbejdsemnet eller ødelagt tilbehør kan flyve afsted og forårsage kvæstelser uden for det umiddelbare arbejdsområde.

- ◆ Hold kun i elværktøjets isolerede gribeblader, hvis der er risiko for, at skæretilbehøret kommer i kontakt med skjulte ledninger eller værktøjets egen ledning. Kommer skæreværktøjet i kontakt med en strømførende ledning, kan blottagte metaldele på elværktøjet gøres strømførende og give stød til brugeren.
- ◆ Brug klemmer eller en anden praktisk måde på at sikre og understøtte arbejdsemnet til et stabilt underlag. Hvis du holder fast i arbejdsemnet med din hånd eller krop, vil det være ustabil, og det kan medføre, at du mister kontrollen over det.
- ◆ Hold ledningen fri af roterende tilbehør. Hvis du mister kontrollen, er det muligt at ledningen bliver skåret i stykker eller hænge fast, og din hånd eller arm kan trækkes ind i det roterende tilbehør.
- ◆ Læg ikke elværktøjet ned, før tilbehøret er helt stoppet. Det roterende tilbehør kan gribe fast i overfladen, og du kan miste kontrollen over elværktøjet.
- ◆ Lad ikke elværktøjet køre, mens du bærer det ved din side. Utilsigtet kontakt med det roterende tilbehør kan hænge fast i dit tøj og efterfølgende ind i huden.
- ◆ Rengør regelmæssigt elværktøjets ventilationsåbninger. Motorens ventilator vil trække støv ind i kabinettet, og for megen akkumulering af metalstykker kan udgøre en elektrisk risiko.
- ◆ Brug ikke elværktøjet i nærheden af brændbare materialer. Gnister kan antænde disse materialer.
- ◆ Anvend ikke tilbehør, der kræver flydende kølemiddel. Brug af vand eller anden kølevæske kan resultere i livsfarligt elektrisk stød.

Bemærk: Ovenstående advarsel gælder ikke for elværktøj, der specifikt er designet til anvendelse med et kølevæskesystem.

Tilbageslag og relaterede advarsler

Tilbageslag er en pludselig reaktion på et fastklemt eller blokeret sliberulle, støttepude, børste eller andet tilbehør. Fastklemning eller blokering forårsager hurtig bremsning af det roterende tilbehør, som derefter tvinger det ukontrollerede elværktøj i modsat retning af tilbehørets rotation ved det pågældende punkt.

F.eks. hvis en slibeskive er fastklemt eller blokeret af arbejdsemnet, kan kanten af skiven, der er på vej ind i det spidse punkt, grave sig ind i overfladen på materialet og forårsage, at skiven arbejder sig ud eller slår tilbage. Skiven kan enten springe imod eller væk fra brugeren, afhængigt af retningen af skivens bevægelse ved klemmepunktet.

Slibeskiver kan også gå i stykker under disse forhold.

Et tilbageslag opstår som følge af forkert brug eller misbrug af elværktøjet. Det kan undgås ved at følge nedenstående forholdsregler.

- ◆ **Hold godt fast om elværktøjet, og placer kroppen og armen, så du kan modstå tilbageslagskraften. Brug altid det ekstra håndtag, hvis det findes, for at få maksimal kontrol over tilbageslag eller momentreaktion under opstart.** Brugeren kan kontrollere momentreaktioner eller tilbageslagskræfter, hvis der træffes de nødvendige forholdsregler.
- ◆ **Anbring aldrig hånden nær det roterende tilbehør.** Tilbehøret kan slå tilbage over din hånd.
- ◆ **Placer ikke kroppen i området, hvor elværktøjet bevæger sig hen, hvis der opstår tilbageslag.** Tilbageslag fører værktøjet i modsat retning af hjulets bevægelse ved blokeringspunktet.
- ◆ **Vær særlig opmærksom ved arbejde på hjørner, skarpe kanter osv. Undgå at tilbehøret hopper eller blokeres.** Hjørner, skarpe kanter eller bump har en tendens til at blokere det roterende tilbehør og kan forårsage mangel på kontrol eller tilbageslag.
- ◆ **Monter ikke en savkæde med udskæringsklinge eller tandsavklinge.** Sådanne klinger forårsager ofte tilbageslag og mangel på kontrol.

Sikkerhedsadvarsler, som er specifikke for slibning og afskæring ved slibning

- ◆ **Anvend kun hjul typer, der er anbefalet til dit elværktøj og den specifikke skærm, som er designet til det valgte hjul.** Hjul, der ikke er fremstillet til værktøjet, kan ikke afskæres korrekt og er usikre.
- ◆ **Slibefloden på hjul med forsænket midterdel skal monteres under skærmmkantens flade.** En skive, der ikke er monteret korrekt, og som rager ud over kanten på beskyttelsesskærmen, kan ikke beskyttes tilstrækkeligt.
- ◆ **Skærmen skal fastgøres sikkert til elværktøjet og placeres, så mindst muligt af hjulet blottages mod brugeren for at opnå maksimale sikkerhed.** Beskyttelsesskærmen hjælper med til at beskytte operatøren mod hjulfragmenter og utilsigtet kontakt med hjulet og gnister, som kan antænde tøj.
- ◆ **Skiverne må kun benyttes til anbefalede anvendelser. For eksempel: slib ikke med siden af afskæringsskiven.** Slibeskæringsskiver er beregnet til perifer slibning. Sidekraft på disse skiver kan ødelægge dem.
- ◆ **Brug altid ubeskadigede hjulflanger, der har korrekt størrelse og form til det valgte hjul.** Korrekte skiveflanger støtter skiven og reducerer dermed muligheden for beskadigelse af skiven. Flanger til slibeskiver kan være forskellige fra slibeskiveflanger.

- ◆ **Brug ikke slidte hjul fra større elværktøjer.** Hjul, der er tilsigtet større elværktøjer, er ikke egnet til det lille værktøjs høje hastighed og kan gå i stykker.

Yderligere sikkerhedsadvarsler, som er specifikke for afskæring ved slibning

- ◆ **Blokér ikke afskæringsskiven, og tryk ikke for kraftigt. Forsøg ikke at foretage et for dybt snit.** For stor belastning på hjulet øger sandsynligheden for at det vrides eller sætter sig fast i snittet eller muligheden for tilbageslag eller hjuldefekt.
- ◆ **Placer ikke kroppen på linje med eller bag det roterende hjul.** Når skiven bevæger sig væk fra din krop ved arbejds punktet, kan det mulige tilbageslag medføre at den drejende skive og elværktøjet bevæger sig i din retning.
- ◆ **Sluk for elværktøjet, og hold det stille, indtil skiven er helt stoppet, hvis skiven sætter sig fast, eller hvis et snit afbrydes. Forsøg aldrig at fjerne afskæringsskiven fra snittet, mens skiven er i bevægelse, så der kan forekomme tilbageslag.** Find ud af, hvorfor hjulet har sat sig fast, og træf passende forholdsregler, så det ikke kan ske igen.
- ◆ **Genstart ikke snittet i arbejdsmenet. Lad skiven opnå fuld hastighed og sæt det derefter forsigtigt ind i snittet igen.** Skiven kan eventuelt binde, arbejde sig ud af arbejdsmenet eller forårsage tilbageslag, hvis elværktøjet startes i arbejdsmenet.
- ◆ **Understøt plader eller store arbejdsmener for at minimere risikoen for, at hjulet klemmes fast, og der opstår et tilbageslag.** Store arbejdsmener har en tendens til at synke under deres egen vægt. Arbejdsmenet skal afstøttes på begge sider af skiven, både i nærheden af skærelinjen og ved arbejdsmennets kant.
- ◆ **Vær især forsigtig, hvis der foretages et indstik i eksisterende vægge eller andre steder, hvor du ikke kan se, hvad du skærer i.** Skiver, som rager frem, kan skære i gas- eller vandrør, elektriske ledninger eller genstande, der kan forårsage tilbageslag.

Specifikke sikkerhedsadvarsler ved slibning

- ◆ **Anvend ikke for store sandpapir til skiven. Følg producentens anbefalinger ved valg af sandpapir.** Sandpapir, der går ud over slibepuden, kan flænge og det kan hænge fast, skiven kan gå i stykker eller der forekommer et tilbageslag.

Sikkerhedsadvarsler, som er specifikke for stålborstning

- ◆ **Vær opmærksom på, at ståltråde slynges ud af børsten selv under almindelig funktion. Overbelast ikke ståltrådene ved at lægge for meget tryk på børsten.**

Stålhårene kan nemt trænge gennem tyndt tøj og/eller hud.

- ◆ **Hvis der anbefales en skærm til stålbørstning, må trådjhulet eller -børsten og skærmen ikke kunne forstyrre hinanden.** Tallerkenbørsten eller kobbørsten kan udvide sig i diameter pga. arbejdsbelastning eller centrifugalkræfter.

Andres sikkerhed

- ◆ Dette udstyr er ikke beregnet til anvendelse af personer (inklusive børn) med nedsatte fysiske, sensoriske eller mentale handicaps eller med mangel på erfaringer eller viden, medmindre de er under overvågning eller har fået instruktioner i brugen af udstyret af en person, der er ansvarlig for deres sikkerhed.
- ◆ Børn skal holdes under opsyn, så det sikres, at de ikke leger med værktøjet.

Tilbageværende risici

Der kan opstå yderligere, tilbageværende risici under brugen af apparatet, som muligvis ikke behandles i de vedlagte sikkerhedsadvarsler.

Disse risici kan opstå pga. forkert anvendelse, langvarig brug etc.

Selv ved overholdelse af relevante sikkerhedsforskrifter og anvendelse af sikkerhedsudstyr kan visse resterende risici ikke undgås. Disse omfatter:

- ◆ Tilskadekomst forårsaget af berøring af roterende/ bevægelige dele.
- ◆ Tilskadekomst forårsaget af udskiftning af dele, klinger eller tilbehør.
- ◆ Tilskadekomst forårsaget af langvarig brug af et værktøj. Husk at holde pause jævnligt ved brug af et apparat i længere tid.
- ◆ Hørenedsættelse.
- ◆ Sundhedsrisici forårsaget af indånding af støv, der genereres ved brug af værktøjet (eksempel: arbejde med træ, især, eg, bøg og MDF.)

Vibration

De angivne værdier for udsendelse af vibration opført under de tekniske data og overensstemmelseserklæringen er målt i henhold til standardtestmetoden anført i EN 60745 og kan bruges til at sammenligne ét værktøj med et andet. Den angivne vibrationsmissionsværdi kan også bruges i forbindelse med en foreløbig vurdering af eksponeringen.

Advarsel! Værdien for vibrationsmission ved faktisk brug af elværktøjet kan afvige fra den angivne værdi afhængig af måden, værktøjet anvendes på. Vibrationsniveauet kan overstige det angivne niveau.

I vurderingen af eksponeringen for vibration med henblik på fastsættelse af sikkerhedsforanstaltninger som krævet i 2002/44/EF til beskyttelse af personer, der jævnligt anvender elværktøj i deres arbejde, skal der tages hensyn til de faktiske betingelser under brugen, og måden værktøjet bruges på, herunder alle arbejdsrytters afsnit, f.eks. perioder, hvor værktøjet er slukket, og hvor det kører i tomgang, tillige med startperioderne.

Mærkatere på værktøjet

Følgende piktogrammer vises på værktøjet sammen med datokoder:



Advarsel! Brugeren skal læse brugervejledningen for at reducere risikoen for kvæstelser.



Bær beskyttelses- eller sikkerhedsbriller, når du bruger dette værktøj.



Bær høreværn, når du bruger dette værktøj

Elektricitet og sikkerhed



Opladeren er dobbelt isoleret. Derfor er en jordledning ikke nødvendig. Kontroller altid, at netspændingen svarer til spændingen på typeskiltet.

- ◆ Hvis netledningen beskadiges, skal den udskiftes af producenten eller et autoriseret BLACK+DECKER-værksted, så farlige situationer undgås.

Spændingsfald

Indkoblingsstrømspidser forårsager kortvarige spændingsfald. Under ugunstige strømforsyningsforhold kan andet udstyr påvirkes.

Hvis strømforsyningens systemimpedans er lavere end 0.107 Ω, opstår der normalt ikke forstyrrelser.

Funktioner

Apparatet har nogle eller alle af de følgende funktioner.

1. Afbryderkontakt
2. Spindellås
3. Skærm
4. Sidehåndtag

Samling

Advarsel! Kontroller før samling, at værktøjet er slukket, og at stikket er taget ud af stikkontakten.

På- og afmontering af skærmen (fig. A1, A2)

Værktøjet leveres med en skærm, der kun er beregnet til slibeopgaver (type 27).

Hvis apparatet skal bruges til afskæring, skal der monteres en særlig skærm til denne type arbejde (type 41). En velegnet skærm med delnummer N642463 (til 115 mm skæreskive) kan fås fra BLACK+DECKER-servicecentre.

- ◆ Anbring værktøjet på et bord med spindlen (5) opad.
- ◆ Ret tapperne (7) ind efter hakkene (8).
- ◆ Tryk skærmen ned, og drej den med uret til den ønskede position.
- ◆ Stram skruen (6) for at fastgøre skærmen.

Afmontering

- ◆ Løsn skruen (6).
- ◆ Roter skærmen mod uret for at rette tapperne (7) ind efter hakkene (8).
- ◆ Tag skærmen af værktøjet.

Advarsel! Brug aldrig værktøjet uden monteret skærm.

Montering af sidehåndtaget

- ◆ Skru sidehåndtaget (4) ind i et af værktøjets monteringshuller.

Advarsel! Brug altid sidehåndtaget.

Påsatning og aftagning af slibeskiver (fig. B - D)

Anvend altid den korrekte type skive til opgaven. Brug altid skiver med korrekt diameter og hulstørrelse (se tekniske data).

Isætning

- ◆ Sæt skærmen på som beskrevet ovenfor.
- ◆ Placer den indvendige flange (10) på spindlen (5) som vist (fig. B). Sørg for, at flangen er placeret korrekt på spindelens flade sider.
- ◆ Placer skiven (11) på spindlen (5) som vist (fig. B). Hvis skiven har en forhøjet midte (12), skal du sikre, at den forhøjede midte vender mod den indvendige flange.
- ◆ Sørg for, at skiverne placeres korrekt på den indvendige flange.
- ◆ Placér den udvendige flange (13) på spindlen. Ved påsatning af en slibeskive skal den forhøjede midte på den udvendige flange vende mod skiven (A i fig. C). Ved påsatning af en skæreskive skal den forhøjede midte på den udvendige flange vende væk fra skiven (B i fig. C).
- ◆ Hold spindellåsen (2) trykket ned, og spænd den udvendige flange vha. skruenøglen (14) (fig. D).

Afmontering

- ◆ Hold spindellåsen (2) trykket ned, og løsn den udvendige flange (13) vha. skruenøglen (14) (fig. D).
- ◆ Fjern den udvendige flange (13) og skiven (11).

Overfladeslibning med slibeskiver

- ◆ Lad værktøjet nå fuld hastighed, for det rører arbejdsoverfladen.

- ◆ Anvend minimum tryk på arbejdsoverfladen og lad værktøjet køre ved høj hastighed. Slibeastigheden er højest, når værktøjet kører med høj hastighed.
- ◆ Oprethold en vinkel på 20° til 30° mellem værktøjet og arbejdsfladens overflade som vist i fig. F.
- ◆ Bevæg værktøjet kontinuerligt i en frem- og tilbagegående bevægelse for at undgå, at der opstår fordybninger i arbejdsfladen.
- ◆ Løft værktøjet fra arbejdsoverfladen, før du slukker for værktøjet. Lad værktøjet holde helt op med at dreje, før du lægger det fra dig.

Kantslibning med slibeskiver

Skiver, der anvendes til skæring og kantslibning, kan gå itu eller slå tilbage, hvis de bliver bøjet eller vredet, mens værktøjet anvendes til afskæring eller dybdeslibning. Kantslibning/skæring med skivetype 27 skal begrænses til flad skæring og indkærvning, med en dybde på mindre end 13 mm, når skiven er ny. Reducér dybden af skæringen/indkærvningen i overensstemmelse med reduktionen af skiveradius ved slid. Se 'Oversigt over slibe- og skæretilbehør' i slutningen af denne vejledning mhp. yderligere oplysninger. Kantslibning/skæring med skivetype 41 kræver skærmtypen 41.

- ◆ Lad værktøjet nå fuld hastighed, for det rører arbejdsoverfladen.
- ◆ Anvend minimum tryk på arbejdsoverfladen og lad værktøjet køre ved høj hastighed. Slibeastigheden er højest, når værktøjet kører med høj hastighed.
- ◆ Anbring dig selv, så den åbne underside med skiven vender væk fra dig.
- ◆ Når du har startet på en skæring, og du har oprettet et indhak i arbejdsfladen, skal du ikke ændre vinklen på snittet. Ændring af vinklen kan forårsage at skiven bøjer, hvilket kan medføre skiven går i stykker. Kantslibeskiver er ikke konstrueret til at modstå de sidetryk, som bøjning kan frembringe.
- ◆ Løft værktøjet fra arbejdsoverfladen, før du slukker for værktøjet. Lad værktøjet holde helt op med at dreje, før du lægger det fra dig.

Advarsel! Anvend ikke kantslibnings-/skæringsskiver til overfladeslibningsopgaver, hvis skivemærket har forbudt sådan brug, fordi disse skiver ikke er konstrueret til de sidetryk, som opstår med overfladeslibning. Dette kan medføre at skiven går i stykker samt kvæstelser.

På- og afmontering af slibeskiver (fig. D og E)

Til slibning er en underpude påkrævet. Underpuden fås hos din BLACK+DECKER forhandler som tilbehør.

Isætning

- ◆ Placer den indvendige flange (10) på spindlen (5) som vist (fig. E). Sørg for, at flangen er placeret korrekt på spindelens flade sider.

- ◆ Placer underpuden (15) på spindlen.
- ◆ Placer pudseskiven (16) på underpuden.
- ◆ Placer den udvendige flange (13) på spindlen med den forhøjede midte væk fra skiven.
- ◆ Hold spindellåsen (2) trykket ned, og spænd den udvendige flange vha. skruenøglen (14) (fig. D). Sørg for, at den udvendige flange er placeret korrekt, og at skiven er solidt fastgjort.

Afmontering

- ◆ Hold spindellåsen (2) trykket ned, og løsn den udvendige flange (13) vha. skruenøglen (14) (fig. D).
- ◆ Fjern den udvendige flange (13), pudseskiven (16) og underpuden (15).

Overfladebehandling med slibeskiver

- ◆ Lad værktøjet nå fuld hastighed, for det rører arbejdsoverfladen.
- ◆ Anvend minimum tryk på arbejdsoverfladen og lad værktøjet køre ved høj hastighed. Slibehastigheden er højest, når værktøjet kører med høj hastighed.
- ◆ Oprethold en vinkel på 5° til 10° mellem værktøjet og arbejdssemnets overflade som vist i fig. G.
- ◆ Bevæg værktøjet kontinuerligt i en frem- og tilbagegående bevægelse for at undgå, at der opstår fordybninger i arbejdsfladen.
- ◆ Løft værktøjet fra arbejdsoverfladen, før du slukker for værktøjet. Lad værktøjet holde helt op med at dreje, før du lægger det fra dig.

Anvendelse af underpuder til slibning

Vælg altid slibeskiver med korrekt Kornstørrelse til din opgave. Slibeskiver fås i forskellige Kornstørrelser. Grove Kornstørrelser sliber hurtigere materialet væk og slibningen er grov. Finere Kornstørrelser sliber langsommere materialet væk og slibningen er mere jævn.

Start med skiver med grov Kornstørrelse til hurtig, grov fjernelse af materiale. Arbejd videre med et medium Kornstørrelsespapir og afslut med en fin Kornstørrelseskive for at opnå en optimal bearbejdnings.

- ◆ Kornstørrelse grov 16 - 30.
- ◆ Kornstørrelse middel 36 - 80.
- ◆ Kornstørrelse fin 100 - 120.
- ◆ Kornstørrelse meget fin 150 - 180.
- ◆ Lad værktøjet nå fuld hastighed, for det rører arbejdsoverfladen.
- ◆ Anvend minimum tryk på arbejdsoverfladen og lad værktøjet køre ved høj hastighed. Slibehastigheden er højest, når værktøjet kører med høj hastighed.
- ◆ Oprethold en vinkel på 5° til 10° mellem værktøjet og arbejdssemnets overflade som vist i fig. H. Slibeskiven bør komme i berøring med ca. 25mm af arbejdssemnets overflade.

- ◆ Bevæg hele tiden værktøjet i en lige linje for at forhindre afbrænding og hvirvler på arbejdssemnets overflade. Hvis du lader værktøjet hvile på arbejdssemnets overflade uden at bevæge det, eller flytter det i en cirkulær bevægelse, kan det forårsage brænde- og hvirvelmærker på arbejdsoverfladen.
- ◆ Løft værktøjet fra arbejdsoverfladen, før du slukker for værktøjet. Lad værktøjet holde helt op med at dreje, før du lægger det fra dig.

Forholdsregler ved slibning af maling

- ◆ Slibning af blybaseret maling **ANBEFALES IKKE** på grund af vanskeligheden ved at styre det forurenede støv. Børn og gravide kvinder er udsat for den største risiko for blyforgiftning.
- ◆ Da det kan være vanskeligt at finde ud af, hvorvidt en maling indeholder bly uden en kemisk analyse, anbefaler vi de følgende forholdsregler ved slibning af alle malinger:
 - ◆ Ingen børn eller gravide kvinder må opholde sig i arbejdsområdet, når der foretages slibning af maling, før al rengøring er afsluttet.
 - ◆ Alle personer, som kommer ind i arbejdsområder, skal bære en støvmaske eller en respirator. Filteret skal udskiftes dagligt, eller når bæreren af masken har svært ved at trække vejret.

Bemærk: Du bør udelukkende anvende støvmasker, der er beregnet til arbejde med blybaseret malingsstøv og dampe. Almindelige malingsmasker har ikke denne beskyttelse. Kontakt din lokale hardwareforhandler for korrekt godkendt maske.

- ◆ Der bør IKKE SPISES, DRIKKES eller RYGES i arbejdsområdet for at undgå at indtage forurenede malingspartikler. Arbejdere skal vaske sig og rydde op, FØR de spiser, drikker eller ryger. Der må ikke efterlades føde-, drikke- eller rygevarer i arbejdsområdet, hvor der kan falde støv på dem.
- ◆ Maling skal fjernes på en sådan måde, at mængden af genereret støv minimeres.
- ◆ Områder, hvor der skal fjernes maling, skal forsegles med plastfolie på 4 mils tykkelse.
- ◆ Slibning skal foregå på en sådan måde, at malingsstøv uden for arbejdsområdet reduceres.
- ◆ Alle overflader i arbejdsområdet skal støvsuges og rengøres grundigt hver dag, mens slibningen foregår. Støvsugerfilterposer skal hyppigt udskiftes.
- ◆ Plastikklude skal samles sammen og bortskaffes sammen med alle støvskår eller andre bortskaffelsesrester. De skal anbringes i forseglede affaldsbeholdere og bortskaffes vha. gængse procedurer for bortskaffelse af affald. Under rengøring skal børn og gravide kvinder holdes på afstand af arbejdsområdet.

- ◆ Al legetøj, vaskbare møbler og redskaber, der bruges af børn, skal vaskes omhyggeligt, før de bruges igen.

Montering og anvendelse af kopbørster og tallerkenbørster

Kopbørster eller tallerkenbørster skal skrues direkte på slibespindlen uden brug af flanger. b. En skærm af type 27 er påkrævet, når der anvendes stålborster og -skiver. Bær arbejdshandsker, når du arbejder med stålborster og -hjul. De kan blive skarpe. Skiven eller børsten må ikke komme i berøring med beskyttelsesskærmen, når den er monteret eller er i brug. Dette kan forårsage usynlig beskadigelse af tilbehøret og tråde kan afrides fra tilbehørsskive eller -kop.

- ◆ Sæt skiven på spindlen med hånden.
- ◆ Tryk spindellåseknappen ned og brug en skruenøgle på stålhjulnavet eller -børsten til at spænde hjulet.
- ◆ Anvend proceduren i omvendt rækkefølge, når skiven skal fjernes.

Advarsel! Hvis du undlader at sætte skiven korrekt på, før værktøjet drejes, kan værktøjet eller skiven blive beskadiget. Tallerkenbørster og kopbørster kan bruges til at fjerne rust, afskalninger og maling og til glatning af ujævne overflader.

Bemærk: Der skal træffes de samme forholdsregler ved trådbørstning af maling som ved slibning af maling.

- ◆ Lad værktøjet nå fuld hastighed, for det rører arbejdsoverfladen.
- ◆ Anvend minimum tryk på arbejdsoverfladen og lad værktøjet køre ved høj hastighed. Hastigheden ved fjernelse af maling er højest, når værktøjet kører med høj hastighed.
- ◆ Oprethold en vinkel på 5° til 10° mellem værktøjet og arbejdsomnens overflade ved kopbørster som vist i figur 1.
- ◆ Oprethold kontakt mellem hjørnet på hjulet og arbejdsoverfladen med stålhjul.
- ◆ Bevæg værktøjet kontinuerligt i en frem- og tilbagegående bevægelse for at undgå, at der opstår fordybninger i arbejdsfladen.
Hvis du lader værktøjet hvile på arbejdsomnens overflade uden at bevæge det, eller flytter det i en cirkulær bevægelse, kan det forårsage brænde- og hvirvelmærker på arbejdsoverfladen.
- ◆ Løft værktøjet fra arbejdsoverfladen, før du slukker for værktøjet. Lad værktøjet holde helt op med at dreje, før du lægger det fra dig.

Advarsel! Vær ekstra omhyggelig, når du arbejder over et kant, da du kan komme ud for en hurtig bevægelse fra slibemaskinen.

Montering og anvendelse af skæreskiver (type 41)

Skæreskiver omfatter diamantskiver og slibeskiver. Der findes slibeskæreskiver til metal og beton. Diamantklinger til skæring i beton kan også anvendes.

BEMÆRK: A lukket, 2-sidet skæreskiveskærm, type 41, kan fås separat og er påkrævet, når der anvendes skæreskiver. Hvis du ikke bruger korrekt flange og beskyttelsesskærm, kan det forårsage kvæstelser på grund af beskadigelse af skiven og skivekontakt. Der skal anvendes støtteflange med passende diameter og klemmemøtrik med gevind (vedlagt sammen med værktøjet) til skæreskiver.

Montering af lukket (type 41) skærm (fig. J, K,)

- ◆ Ret tapperne på skærmen til ift. de tre udsparinger på navet. På den måde rettes tapperne til ift. udsparinger på gearkassedækslet som vist på fig. J.
- ◆ Skub skærmen ned, indtil skærmens øskner kobles i rillen på gearkassenavet.
- ◆ Drej skærmen med uret for at låse den fast. Selve beskyttelsesskærmen skal anbringes mellem spindlen og brugeren for at yde maksimal beskyttelse til brugeren.
- ◆ Spænd skærmens låseskrue fast for at sikre skærmen på gearkassedækslet. Det bør ikke være muligt at dreje skærmen med hånden. Slibemaskinen må ikke betjenes med en løs skærm.
- ◆ Løsn skærmens låseskrue for at kunne fjerne skærmen. Drej derefter skærmen således, at de tre tapper på skærmen flugter med de tre udsparinger på navet og træk skærmen opad.

Montering af skæreskiver

- ◆ Anbring støtteflangen uden gevind på spindlen med den forhøjede del (pilot) vendt opad. Den forhøjede del (pilot) på støtteflangen vil vende imod hjulet, når hjulet er installeret.
- ◆ Anbring skiven på støtteflangen og centrér skiven på den forhøjede del (pilot).
- ◆ Monter gevindklemmemøtrikken med den forhøjede del (pilot) vendt væk fra skiven.
- ◆ Tryk spindellåseknappen ned, og spænd klemmemøtrikken fast med den medleverede skruenøgle.
- ◆ Tryk på spindellåseknappen og løsn gevindklemmemøtrikken med den medleverede skruenøgle.

Advarsel! Anvend ikke kantslibnings-/skæringsskiver til overfladeslibningsopgaver, fordi disse skiver ikke er konstrueret til de sidetryk, som opstår med overfladeslibning. Dette kan beskadige skiven og forårsage kvæstelser.

- ◆ Lad værktøjet nå fuld hastighed, for det rører arbejdsoverfladen.
- ◆ Anvend minimum tryk på arbejdsoverfladen og lad værktøjet køre ved høj hastighed. Skærehastigheden er højest, når værktøjet kører med høj hastighed.
- ◆ Når du har startet på en skæring, og du har oprettet et indhak i arbejdsområdet, skal du ikke ændring vinklen på snittet.

Ændring af vinklen kan forårsage at skiven bøjer, hvilket kan medføre skiven går i stykker.

- ◆ Løft værktøjet fra arbejdsoverfladen, før du slukker for værktøjet. Lad værktøjet holde helt op med at dreje, før du lægger det fra dig.

Anvendelse

Advarsel! Lad værktøjet arbejde i dets eget tempo. Det må ikke overbelastes.

- ◆ Styr omhyggeligt ledningen, så du ikke klipper den over ved et uheld.
- ◆ Vær forberedt på en strøm af gnister, når slibe- eller skæreskiven berører arbejdsområdet.
- ◆ Placer altid værktøjet på en sådan måde, at skærmen giver optimal beskyttelse mod slibe- eller skæreskiven.

Sådan tændes og slukkes værktøjet

- ◆ Tænd for værktøjet ved at trykke på tænd/sluk-kontakten (1).
- ◆ Sluk for værktøjet ved at slippe tænd/sluk-kontakten (1).

Advarsel! Sluk ikke værktøjet, mens det er under belastning.

Gode råd mhp. optimal brug

- ◆ **Hold godt fast i værktøjet med den ene hånd omkring sidehåndtaget og den anden hånd omkring hovedhåndtaget.**
- ◆ Ved slibning opretholdes altid en vinkel på ca. 15° mellem skiven og arbejdsområdets overflade.

Vedligeholdelse

Dit BLACK+DECKER-apparat/værktøj med eller uden ledning er beregnet til brug gennem lang tid med et minimum af vedligeholdelse. Vedvarende tilfredsstillende funktion er afhængig af, om apparatet plejes korrekt og rengøres regelmæssigt.

Advarsel! Før udførelse af nogen form for vedligeholdelse på el værktøj med/uden ledning:

- ◆ Sluk og tag apparatets/værktøjets stik ud af stikkontakten.
- ◆ Eller sluk og fjern batteriet fra apparatet/værktøjet, hvis det har en separat batteripakke.
- ◆ Eller aflad batteriet helt, hvis det er indbygget, og sluk derefter.
- ◆ Træk opladeren ud af stikkontakten, før den rengøres. Opladeren kræver ingen vedligeholdelse, men skal rengøres jævnlige.
- ◆ Rengør jævnlige apparatets/værktøjets/laderens ventilationshuller med en blød børste eller en tør klud.
- ◆ Rengør med jævne mellemrum motorhuset med en fugtig klud. Der må ikke bruges skuremidler eller opløsningsmidler.
- ◆ Åbn jævnlige patronen, og bank på den for at fjerne indvendigt støv (hvis monteret).

Udskiftning af netstik (kun Storbritannien og Irland)

Hvis et nyt lysnetstik skal monteres:

- ◆ Det gamle stik skal bortskaffes på en sikker måde.
- ◆ Slut den brune ledning til den strømførende klemme på det nye stik.
- ◆ Slut den blå ledning til den neutrale klemme.


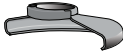




Advarsel! Der skal ikke tilsluttes til jordklemmen.





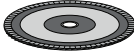

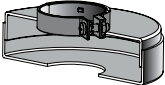
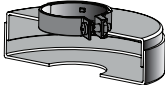







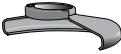


Følg de monteringsinstruktioner, der følger med stik af god kvalitet. Anbefalet sikring: 13 A.




Problemløsning

Problem	Mulig årsag	Mulig løsning
Enheden vil ikke starte.	Kablet er ikke tilsluttet. Kabel eller kontakt er beskadiget.	Tilslut værktøjet til en arbejdsudgang. Få ledning eller kontakt repareret på et BLACK+DECKER-servicecenter eller hos en autoriseret reparatør.

Oversigt over slibe- og skæretilbehør

Slibebehøj	
 Skærmtype 27	 Skærmtype 27
 Støtteflange uden gevind	 Skivetype 27 med nav
 Skivetype 27 med forsænket midterdel	
 Gevindklemmemøtrik	

Slibeskive med flapper	
 Skærmtypetype 27	 Skærmtypetype 27
 Slibeskive med flapper	 Støtteflange uden gevind
	 slibeskive med flapper uden nav
	 Gevindklemmemøtrik
Skæreskive, type 41	
 Skærmtypetype 41	 Skærmtypetype 41
 Støtteflange	 Støtteflange
 Slibeskæreskive	 Diamantskæreskive
 Klemmemøtrik	 Klemmemøtrik
Tallerkenbørste	
 Skærmtypetype 27	 Skærmtypetype 27
 Kopbørste 3"	 Kopbørste 4"

Slibeskive
 Gummiunderpude
 Slibeskive
 Gevindklemmemøtrik

Miljøbeskyttelse



Særskilt bortskaffelse. Produkter og batterier mærket med dette symbol må ikke bortskaffes sammen med normalt husholdningsaffald.

Produkter og batterier indeholder materialer, der kan genvindes eller genbruges og således reducere efterspørgslen efter råvarer.

Genbrug venligst elektriske produkter og batterier i henhold til lokale bestemmelser. Yderligere oplysninger findes på www.2helpU.com

Tekniske data

BEG010 type 1		
Indgangsspænding	V_{AC}	230
Effektindgang	W	710
Nominal hastighed	min^{-1}	12000
Skivehul	mm	22

Maks. skivetykkelse		
	mm	6
Skæreskiver	mm	3.5
Spindelstørrelse		M14
Vægt	kg	1.7

Lydtrykniveau i henhold til EN 60745:

Lydtryk (L_{pA}) 89 dB(A), usikkerhed (K) 3 dB(A)
 Lydeffekt (L_{WA}) 100 dB(A), usikkerhed (K) 3 dB(A)

Samlede værdier for vibration (triaksial vektorsum) i henhold til EN 60745:

Overfladeslibning (a_{hD}) 5.1 m/s², usikkerhed (K) 1.5 m/s²
 Afskæring (a_{hCD}) 4.8 m/s², usikkerhed (K) 1.5 m/s²
 Skiveslibning (a_{hD0}) 6.6 m/s², usikkerhed (K) 1.5 m/s²

EU-overensstemmelseserklæring MASKINDIREKTIV



Vinkelsliber BEG010

Black & Decker erklærer, at produkterne beskrevet under "Tekniske data" er i overensstemmelse med: 2006/42/EC, EN 60745-1:2009 + A11:2010; EN 60745-2-3:2011 + A2:2013 + A11:2014 + A12:2014 + A13:2015

Disse produkter er endvidere i overensstemmelse med direktiv 2014/30/EU og 2011/65/EU.

Kontakt Black & Decker på nedenstående adresse eller se vejledningens bagside for at få yderligere oplysninger.

Undertegnede er ansvarlig for udarbejdelsen af de tekniske data og fremsætter denne erklæring på vegne af Black & Decker.

R. Laverick
 Direktør for konstruktioner
 Black & Decker Europe, 210 Bath Road, Slough,
 Berkshire, SL1 3YD
 Storbritannien
 27/09/2017

Garanti

Black & Decker er sikker på kvaliteten af sine produkter og tilbyder forbrugerne en garanti på 24 måneder fra købsdatoen. Garantien er et tillæg til forbrugerens lovmæssige rettigheder og påvirker ikke disse. Garantien er gyldig inden for medlemsstaterne af Den Europæiske Union og Det Europæiske Frihandelsområde.

Når du gør krav på garantien, skal kravet være i overensstemmelse med Black & Decker vilkår og betingelser, og du skal indsende dokumentation for købet til sælgeren eller til en autoriseret reparatør. Vilkår og betingelser for Black & Decker 2 års garanti og placeringen af dit nærmeste autoriserede serviceværksted kan fås på internettet på www.2helpU.com, eller ved at kontakte dit lokale Black & Decker kontor på den adresse, der er angivet i denne vejledning.

Besøg venligst vores websted www.blackanddecker.co.uk for at registrere dit nye Black & Decker produkt og modtage opdateringer om nye produkter og specielle tilbud.

(Alkuperäisten ohjeiden käännös)

SUOMI

Käyttötarkoitus

BLACK+DECKER BEG010 -kulmahiomakone on tarkoitettu metallin ja kivimateriaalin hiomiseen ja leikkaamiseen oikeanlaista katkaisu- tai hiomalaiikkaa käyttäen. Kun laitteeseen on asennettu asianmukainen suojuus, se on tarkoitettu vain yksityiskäyttöön.

Turvallisuusohjeet

Sähkötyökalujen yleiset turvavaroitukset



Varoitus! Lue kaikki turvallisuusvaroitukset ja ohjeet. Alla olevien varoitusten ja ohjeiden noudattamisen laiminlyönti saattaa johtaa sähköiskuun, tulipaloon ja/tai vakavaan loukkaantumiseen.

Säästä kaikki varoitukset ja ohjeet tulevaa käyttöä varten. Ohjeissa käytetty käsite "sähkötyökalu" tarkoittaa verkkokäyttöisiä sähkötyökaluja (verkkojohdolla varustettuja) ja akkukäyttöisiä sähkötyökaluja (ilman verkkojohtoa).

1. Työalueen turvallisuus

- Pidä työalue puhtaana ja hyvin valaistuna.** Onnettomuuksia sattuu herkemmin epäsiistissä tai huonosti valaistussa ympäristössä.
- Älä käytä sähkötyökalua räjähdyksalttiissa ympäristössä, jossa on syttyvää nestettä, kaasua tai pölyä.** Sähkötyökalujen aiheuttamat kipinät voivat sytyttää pölyn tai kaasut.
- Pidä lapset ja sivulliset loitolla sähkötyökalua käyttäessäsi.** Keskittymiskyvyn herpaantuminen voi aiheuttaa hallinnan menettämisen.

2. Sähköturvallisuus

- Sähkötyökalun pistokkeen on sovittava pistorasiaan. Älä koskaan tee pistokkeeseen mitään muutoksia.**

Älä yhdistä maadoitettua sähkötyökäluä jatkojohtoon. Sähköiskun vaara vähenee, jos pistokkeisiin ei tehdä muutoksia ja ne yhdistetään vain niille tarkoitettuihin pistorasioihin.

- b. **Vältä koskettamasta maadoitettuja pintoja, kuten putkia, lämpöpattereita, liesiä tai jääkaappeja.** Voit saada sähköiskun, jos kehosi on maadoitettu.
- c. **Älä altista sähkötyökäluä sateelle tai kosteudelle.** Sähkötyökäluun menevä vesi lisää sähköiskun vaaraa.
- d. **Älä käsittele virtajohtoa kovakouraisesti. Älä kannata työkaluja sähköjohdosta tai vedä pistoketta pistorasiasta sähköjohdon avulla. Pidä sähköjohto kaukana kuumuudesta, öljystä, terävistä reunoista tai liikkuvista osista.** Vaurioituneet tai sokeutuneet johdot lisäävät sähköiskun vaaraa.
- e. **Käyttäessäsi sähkötyökäluä ulkona käytä ainoastaan ulkokäyttöön soveltuvaa jatkojohtoa.** Ulkokäyttöön tarkoitettun sähköjohdon käyttäminen vähentää sähköiskun vaaraa.
- f. **Jos sähkötyökäluä on välttämättä käytettävä kosteassa paikassa, käytä vikavirtasuojalla (RCD) suojattua virtalähdettä.** Tämä vähentää sähköiskun vaaraa.

3. Henkilöturvallisuus

- a. **Ole valpas, keskity työhön ja noudata tervettä järkee sähkötyökäluun käytössä. Älä käytä tätä työkalua ollessasi väsynyt tai alkoholoin, huumeiden tai lääkkeiden vaikutuksen alaisena.** Keskittymisen herpaantuminen hetkeksikin sähkötyökäluä käytettäessä voi aiheuttaa vakavan henkilövahingon.
- b. **Käytä henkilökohtaisia suojavarusteita. Käytä aina suojalaseja.** Hengityssuojaimen, liukumattomien turvajalkineiden, kypärän ja kuulonsuojaimen käyttäminen vähentää henkilövahinkojen vaaraa.
- c. **Vältä tahatonta käynnistämistä. Varmista, että kytkin on OFF-asennossa, ennen kuin liität laitteen virtalähteeseen ja/tai akkuun, nostat laitteen tai kannat sitä.** Sähkötyökäluun kantaminen sormi virtakytkimellä lisää onnettomuusvaaraa.
- d. **Irrota mahdollinen säätö- tai kiintoavain ennen kuin käynnistät sähkötyökäluun.** Sähkötyökäluun pyöriivään osaan kiinni jäänyt avain voi johtaa loukkaantumiseen.
- e. **Älä kurkota. Huolehdi siitä, että sinulla on koko ajan tukeva jalansija ja hyvä tasapaino.** Näin voit hallita sähkötyökäluä paremmin odottamattomissa tilanteissa.
- f. **Käytä tarkoitukseen soveltuvia vaatteita. Älä käytä löysiä vaatteita tai koruja. Pidä hiukset, vaatteet ja kädet loitolla liikkuvista osista.** Löysät vaatteet, korut tai pitkät hiukset voivat tarttua liikkuviin osiin.
- g. **Jos työkalun voi liittää polynimuriin, tarkista, että liitos on tehty asianmukaisesti ja että laitteita käytetään oikealla tavalla.**

Pölyn ottaminen talteen voi vähentää pölyn aiheuttamia vaaroja.

4. Sähkötyökälujen käyttö ja hoito

- a. **Älä ylikuormita sähkötyökäluä.** Valitse käyttötarkoituksen kannalta oikea sähkötyökälu. Sähkötyökälu toimii paremmin ja turvallisemmin, kun sitä käytetään sille suunniteltuun käyttötarkoitukseen.
- b. **Älä käytä sähkötyökäluä, jota ei voida käynnistää ja pysäyttää virtakytkimestä.** Jos sähkötyökäluä ei voi hallita kytkimen avulla, se on vaarallinen ja se on korjattava.
- c. **Irrota pistotulppa pistorasiasta ja/tai akku laitteesta ennen kuin suoritat säätöjä, vaihdat tarvikkeita tai siirrä sähkötyökäluun varastoitavaksi.** Näin voit vähentää vahingossa käynnistymisen aiheuttaman henkilövahingon vaaraa.
- d. **Säilytä sähkötyökälu poissa lasten ulottuvilta, kun niitä ei käytetä. Älä anna sähkötyökäluä sellaisen henkilön käyttöön, joka ei tunne sitä tai joka ei ole tutustunut tähän käyttöohjeeseen.** Sähkötyökäluut ovat vaarallisia kouluttamattomien käyttäjien käsissä.
- e. **Hoida sähkötyökäluasi huolella.** Tarkista, että liikkuvat osat toimivat moitteettomasti ja etteivät ne ole puristuksessa. Tarkista myös, ettei työkalussa ei ole murtuneita tai vahingoittuneita osia, jotka saattaisivat vaikuttaa haitallisesti sen toimintaan. Jos havaitset vaurioita, korjauta sähkötyökälu ennen niiden käyttämistä. Huonosti kunnossapidetyt sähkötyökäluut aiheuttavat onnettomuuksia.
- f. **Pidä leikkausterät terävinä ja puhtaina.** Kunnossa pidettyjen leikkaavien teräviä reunoja sisältävien työkaluut todennäköisyys jumiutua vähenee, ja niitä on helpompi hallita.
- g. **Käytä sähkötyökäluja, tarvikkeita, vaihtoteriä yms. näiden ohjeiden mukaisesti. Ota tällöin huomioon työolosuhteet ja suoritettava toimenpide.** Jos sähkötyökäluä käytetään näiden ohjeiden vastaisesti, voi syntyä vaaratilanne.

5. Huolto

- a. **Korjauta sähkötyökälu koulutetulla ja ammattitaitoisella henkilöllä ja hyväksy korjauksiin vain alkuperäisiä varaosia.** Tämä varmistaa sähkötyökäluun turvallisuuden.

Sähkötyökälujen lisäturvavaroitukset



Varoitus! Hiomisen, teräsharjaamisen tai hankaavien leikkaustoimintojen lisäturvallisuusvaroitukset:

- ◆ **Tämä sähkötyökalu on tarkoitettu hiontaan, lankaharjaukseen, kiillotukseen ja laikkakatkaisuun.** Lue kaikki tämän sähkötyökalun mukana toimitetut varoitukset, käyttöohjeet ja tekniset tiedot. Jos kaikkia ohjeita ei noudateta, on olemassa sähköiskun, tulipalon ja/tai vakavan henkilövahingon vaara.
- ◆ **Jos sähkötyökalua käytetään tarkoitukseen, johon sitä ei ole suunniteltu, voi aiheutua vaaratilanne ja henkilövahinko.**
- ◆ **Älä käytä lisävarusteita, joita ei ole suunniteltu ja joita valmistaja ei suosittele juuri tälle työkalulle.** Varusteen käyttäminen ei ole turvallista vain siksi, että se voidaan yhdistää sähkötyökaluun.
- ◆ **Lisävarusteen nimellisopeuden tulee olla vähintään sama kuin työkaluun merkitty maksiminopeus.** Jos varusteita käytetään niiden nimellisopeutta suuremmalla nopeudella, ne voivat särkyä ja niistä voi lentää kappaleita.
- ◆ **Lisävarusteen ulkohalkaisijan ja paksuuden tulee olla tämän sähkötyökalun nimelliskapasiteetin rajoissa.** Väärän kokoisia lisävarusteita ei voi suojata tai hallita vaaditulla tavalla.
- ◆ **Lisävarusteiden kierteisen kiinnitysosan on sovittava hiomakoneen karan kierteisiin. Laippojen avulla asennettujen lisävarusteiden kohdalla lisävarusteen kiinnitysreiän on sovittava laipan sijoituskohdan halkaisijaan.** Jos varustetta ei voi kiinnittää sähkötyökaluun kunnolla, voi aiheutua epätasapaino ja voit menettää työkalun hallinnan tärinän vuoksi.
- ◆ **Älä käytä vahingoittuneita lisävarusteita.** Ennen käyttämistä tarkista, ettei tarvikeessa, esimerkiksi sen hiomalaikoissa tai taustalevyssä, ole halkeamia, repeämiä tai kulumia ja että teräslankaharjassa ole irrallisia tai katkenneita harjaksia. Jos sähkötyökalu putoaa, tarkista, onko siihen tullut vaurioita ja vaihda vaurioitunut osa. Kun lisävaruste on tarkastettu ja asennettu, käytä sähkötyökalua suurimmalla mahdollisella kuormittamattomalla nopeudella yhden minuutin ajan. Vaurioitunut varuste tavallisesti särkyy tämän testausajan kuluessa.
- ◆ **Käytä henkilökohtaisia suojavarusteita.** Käytä kasvosuojusta tai turvalaseja tehtävän työn vaatimusten mukaisesti. Käytä tarvittaessa hengityssuojainta, kuulonsuojaimia, käsineitä ja suojavaatetusta, joka estää lentävien kappaleiden aiheuttamat henkilövahingot. Turvalasien on pystyttävä estämään lentäviä kappaleita aiheuttamasta henkilövahinkoja. Hengityssuojaimen tulee pystyä suodattamaan työssä syntyvät hiukkaset. Pitkäaikainen altistuminen melulle voi heikentää kuuloa.
- ◆ **Pidä sivustakatsojat turvallisen matkan päässä työskentelyalueesta. Työskentelyalueella on käytettävä henkilösuojavarusteita.**

Työstettävän kappaleen tai särkyneen varusteen singahtavat osat voivat aiheuttaa henkilövahinkoja.

- ◆ **Pitele sähkötyökalua vain eristetyistä tartuntapinnoista tehdessäsi työtä, jossa laikka voi joutua kosketuksiin piilossa olevien sähköjohtojen tai oman virtajohtonsa kanssa.** Jännitteisen johdon leikkaaminen tekee työkalun paljaista metalliosista jännitteisiä, joten käyttäjä voi saada sähköiskun.
- ◆ **Käytä puristimia tai muuta käytännöllistä tapaa kiinnittää ja tukea työstökappale tukevalle alustalle.** Työn pitäminen käsin tai vartaloa vasten on epävakaata ja saattaa johtaa kontrollin menetykseen.
- ◆ **Aseta johto niin, ettei se kosketa pyörivää lisävarustetta.** Jos menetät työkalun hallinnan, johto voi katketa tai vaurioitua tai työkalu voi osua käteisi.
- ◆ **Älä koskaan laske sähkötyökalua alas, ennen kuin laikka on kokonaan pysähtynyt.** Käynnissä oleva työkalu voi osua työtason pintaan, jolloin menetät sen hallinnan.
- ◆ **Älä käytä työkalua siten, että kannat sitä sivullasi.** Jos käynnissä oleva sähkötyökalu tarttuu vaatteisiisi, se voi osua kehoosi.
- ◆ **Puhdista työkalun ilma-aukot säännöllisesti.** Moottorin puhallin vetää pölyä työkalun sisään. Metallipölyn kertyminen voi aiheuttaa sähköiskun vaaran.
- ◆ **Älä käytä työkalua helposti syttyvien materiaalien läheisyydessä.** Kipinät voivat sytyttää ne.
- ◆ **Älä käytä laikkoja, jotka vaativat nestemäisiä jäähdytysaineita.** Veden tai muun jäähdytysaineen käyttäminen voi aiheuttaa sähköiskun.

Huomautus: Yllä oleva varoitus ei koske sähkötyökaluja, jotka on erityisesti tarkoitettu nestejärjestelmien käyttöön.

Takaisku ja siihen liittyvät varoitukset

Takaisku aiheutuu äkillisesti hiomalaikan, taustalevyn, harjan tai varusteen juutuessa kiinni. Puristuminen tai tarttuminen aiheuttaa pyörivän lisävarusteen äkillisen pysähtymisen, joka puolestaan aiheuttaa hallitsemattoman työkalun liikkeen lisävarusteen pyörimissuuntaa vastaan tarttumiskohdassa.

Jos esimerkiksi hiomalaikka jää kiinni työstettävään kappaleeseen, laikan reuna voi kaivautua sen pintaan, jolloin hiomalaikka voi nousta pinnalle tai iskeytyä taaksepäin. Laikka voi joko hypätä käyttäjää kohti tai hänestä pois päin, riippuen laikan liikkeen suunnasta tarttumakohdassa. Tällöin hiomalaikka voi myös rikkoutua.

Takaisku johtuu sähkötyökalun vääranlaisesta käytöstä ja/tai vääristä työmenetelmistä tai -olosuhteista ja sen voi välttää noudattamalla alla kuvattuja varotoimia.

- ◆ **Pidä luja ote sähkötyökalusta ja aseta vartalosi ja käsivartesi siten, että voit torjua takaiskun voiman.**

Käytä aina apukahvaa, jos sellainen on saatavilla, jotta voisit hallita takaiskua tai käynnistyksen aikaista vääntöreaktiota. Käyttäjä voi hallita vääntöreaktioita tai takaiskujen voimaa, jos esitetyistä varotoimenpiteistä huolehditaan.

- ◆ **Älä koskaan laita kättäsi pyörivän laikan lähelle.** Se voi aiheuttaa takaiskun.
- ◆ **Älä aseta vartaloasi alueelle, jonne työkalu liikkuu takapotkun voimasta.** Takapotku heittää työkalun laikan liikesuuntaan nähden vastakkaiseen suuntaan tarttumiskohdassa.
- ◆ **Ole erityisen varovainen työstäessäsi kulmia, teräviä reunoja jne. Vältä laikan kimpoamista ja tarttumista.** Nurkat, terävät kulmat tai kimpoaminen voivat aiheuttaa toiminnassa olevan työkalun jäämisen kiinni, jolloin sen hallinta menetetään tai voi aiheutua takaisku.
- ◆ **Älä kiinnitä moottorisahan puunkaiverusterää tai hammastettua sahanterää työkaluun.** Muutoin aiheutuu helposti takapotku tai hallinnan menetyks.

Turvavaroitukset hiontaan ja laikkakatkaisuun

- ◆ **Käytä ainoastaan tälle sähkötyökalulle suositeltuja laikkatyyppejä ja valitulle laikalle erityisesti suunniteltua suojusta.** Jos sähkötyökalussa käytetään laikkoja, joita ei ole tarkoitettu käytettäväksi siinä, niitä ei voi suojata kunnolla, joten ne aiheuttavat vaaran.
- ◆ **Keskipainamalla varustettujen laikkojen hiomapinta on asennettava suojakaistaleen tason alapuolelle.** Virheellisesti asennettua laikkaa, joka näkyy suojakaistaleen tason läpi, ei voida suojata oikeapoisesti.
- ◆ **Kiinnitä suojuks tiukasti työkaluun ja aseta se siten, että se antaa parhaan mahdollisen suojan niin, että mahdollisimman pieni osa laikkaa on paljaana käyttäjään päin.** Suojus estää rikkoutuneiden laikan sirujen sinkoamisen, koskettamisen vahingossa laikkaan ja vaatepuheen syyttymisen kipinöiden vuoksi.
- ◆ **Käytä laikkaa ainoastaan sille suunniteltuun tarkoitukseen.** Älä esimerkiksi käytä katkaisulaikan reunaa hiontaan. Hiovat katkaisulaikat on tarkoitettu hiomiseen. Niiden aiheuttamat sivusuuntaiset voimat voivat saada laikan rikkoutumaan.
- ◆ **Käytä aina ehjiä ja oikean kokoisia ja muotoisia, valitulle laikalle sopivia laippoja.** Tällöin laikan rikkoutumisen vaara vähenee. Katkaisulaikat voivat olla erilaisia kuin hiomalaikat.
- ◆ **Älä käytä suurempien sähkötyökalujen kuluneita laikkoja.** Suurempien sähkötyökalujen laikat eivät kestä pienemmän työkalun suurempaa nopeutta, joten ne voivat särkyä.

Lisäturvavaroitukset laikkakatkaisuun

- ◆ **Älä jumita katkaisulaikkaa tai paina sitä liian voimakkaasti.** Älä yritä leikata liian syväälle.

Laikan voimakas painaminen kasvattaa kuormitusta ja altistaa vääntymiselle tai laipan jumiumiselle leikkauskohtaan, sekä lisää takapotkun ja laikan rikkoutumisen vaaraa.

- ◆ **Älä aseta vartaloasi suoraan linjaan pyörivään laikkaan nähden äläkä sen taakse.** Kun leikkaava laikka liikkuu pois päin vartalostasi, mahdollinen takaisku voi lennättää pyörivän laikan ja sähkötyökalun suoraan sinua päin.
- ◆ **Kun laikka on jumiumunut tai leikkaaminen jostakin syystä keskeytyy, katkaise työkalusta virta ja pidä sitä paikallaan, kunnes laikka on kokonaan pysähtynyt.** Älä koskaan yritä irrottaa katkaisulaikkaa leikkauskohdasta, kun laikka vielä pyörii, koska se voi aiheuttaa takaiskun. Selvitä laikan jumiumumiseen johtanut syy ja poista se.
- ◆ **Älä käynnistä leikkaustoimintaa, kun laikka on kiinni työstökappaleessa.** Anna laikan saavuttaa täysi nopeus ja aseta se varoen takaisin leikkauskohtaan. Laikka voi taittua, siirtyä ylös tai iskeytyä takaisin, jos sähkötyökalu käynnistetään uudelleen työkappaleessa.
- ◆ **Tue levyjä tai muita suurikokoisia työstökappaleita minimoidaksesi laikan puristumisen ja takapotkun riskin.** Suuret työkappaleet pyrkivät taipumaan omasta painostaan. Tuet tulee asettaa työkappaleen alapuolelle leikkauslinjan lähelle ja työkappaleen reunan lähelle laikan molemmalla puolella.
- ◆ **Ole erityisen varovainen, jos teet taskun valmiiseen seinään tai muuhun tuntemattomaan paikkaan.** Esiin työntyvä laikka saattaa leikata kaasu- tai vesiputkia, sähköjohtoja tai esineitä, jotka voivat aiheuttaa takaiskun.

Turvavaroitukset hiontaan

- ◆ **Älä käytä liian suuria hiekkapaperilaikkoja.** Noudata hiekkapaperin valinnassa valmistajan antamia suosituksia. Jos hiomapaperi ulottuu laikan ulkopuolelle, voi aiheutua haavan saamisen, laikan kulumisen tai takaiskun vaara.

Turvavaroitukset lankaharjaukseen

- ◆ **Huomioi, että lankaharjaksia irtoaa harjasta myös normaalin käytön aikana.** Älä rasita kuituja kohdistamalla harjaan suurta voimaa. Harjokset lävistävät kevyet vaatteet ja/tai ihon helposti.
- ◆ **Jos lankaharjaukseen suositellaan suojuksen käyttöä, älä anna lankakiekon tai -harjan törmätä suojukseen.** Teräsharjalaikan tai -harjan halkaisija voi kasvaa käyttökuormituksen tai keskikipakvoiman vaikutuksesta.

Muiden henkilöiden turvallisuus

- ◆ Tätä laitetta ei ole tarkoitettu sellaisten henkilöiden (mukaan lukien lapset) käytettäväksi, joiden fyysiset, aistilliset tai henkiset kyvyt tai kokemus ja tietämys ovat rajalliset, ellei heidän turvallisuudestaan vastuussa oleva henkilö valvo tai ohjaa heitä laitteen käytössä.
- ◆ Lapsia tulee valvoa, jotta he eivät leikkisi laitteella.

Jännönsriskit

Myös muut kuin turvavaroituksissa mainitut riskit ovat mahdollisia laitetta käytettäessä.

Nämä riskit voivat liittyä muun muassa virheelliseen tai pitkäaikaiseen käyttöön.

Tiettyjä jännönsriskejä ei voi välttää, vaikka noudatetaan kaikkia turvamääräyksiä ja käytät turvalaitteita. Näitä ovat:

- ◆ Pyörivien tai liikkuvien osien koskettamisen aiheuttamat vahingot.
- ◆ Osia, teriä tai lisävarusteita vaihdettaessa aiheutuneet vahingot.
- ◆ Työkalun pitkäaikaisen käytön aiheuttamat vahingot. Varmista, että pidät säännöllisesti taukoja laitteen pitkäaikaisen käytön aikana.
- ◆ Kuulon heikkeneminen.
- ◆ Työkalua käytettäessä (esimerkiksi puuta, erityisesti tammea, pyökkiä ja MDF-levyjä, käsiteltäessä) syntyneen pölyn sisäinhengityksen aiheuttamat terveysriskit.

Tärinä

Teknisissä tiedoissa ja vaatimustenmukaisuusilmoituksessa ilmoitetut tärinäpäästöarvot on mitattu standardin EN 60745 testausmenetelmän mukaisesti, ja niiden avulla voidaan vertailla työkaluja keskenään. Ilmoitettua tärinäpäästöarvoa voi käyttää myös altistumisen alustavaan arviointiin.

Varoitus! Sähkötyökalun käytön aikana mitattu todellinen tärinäpäästöarvo voi poiketa ilmoitetusta tärinäpäästöarvosta työkalun käyttötavan mukaan. Tärinätaaso voi olla ilmoitettua tasoa suurempi.

Kun tärinälle altistumista arvioidaan sen määrittämiseksi, mitä direktiivin 2002/44/EY mukaisia turvatoimenpiteitä vaaditaan sähkötyökaluja säännöllisesti käyttävien henkilöiden suojelemiseksi, tärinälle altistumisen arvioinnissa on otettava huomioon todelliset käyttöolosuhteet ja työkalun käyttötavat. Todellisen käytön lisäksi on kiinnitettävä huomiota myös siihen, milloin työkalu on sammutettuna tai se käy tyhjäkäynnillä.

Työkalun tarrat

Työkalussa on seuraavat merkit sekä päivämääräkoodi:



Varoitus! Käyttäjän on luettava käyttöohje vahinkojen välttämiseksi.



Käytä suojalaseja, kun käytät laitetta.



Käytä kuulonsuojaimia, kun käytät työkalua.

Sähköturvallisuus



Laturi on kaksoiseristetty, joten erillistä maadoitusta ei tarvita. Tarkista aina, että verkkojännite vastaa arvokilvessä ilmoitettua jännitettä.

- ◆ Jos virtajohto vahingoittuu, sen vaihtaminen on turvallisuussyistä jätettävä valmistajan tai valtuutetun BLACK+DECKER-huollon tehtäväksi.

Jännitteen aleneminen

Käynnistysvoltage aiheuttaa lyhytaikaisen jännitteen alenemisen. Epävakaava virransyöttö voi aiheuttaa häiriötä muihin laitteisiin.

Jos virran syötön järjestelmäimpedanssi on pienempi kuin 0,107 Ω, häiriöiden ilmeneminen on epätodennäköistä.

Yleiskuvas

Tässä laitteessa on joitakin tai kaikki seuraavista ominaisuuksista.

1. Virtakytkin
2. Karalukko
3. Suojus
4. Sivukahva

Asennus

Varoitus! Varmista ennen kokoamista, että virta on katkaistu ja että virtajohto on irti pistorasiasta.

Suojuksen kiinnittäminen ja irrottaminen (kuvat A1, A2)

Työkalun mukana toimitetaan suojuus, joka on tarkoitettu vain hiontaa varten (tyyppi 27). Jos laitetta aiotaan käyttää leikkaamiseen, on asennettava leikkaamista varten tarkoitettu suojuus (tyyppi 41). Sopivien suojuksien osanumerot N642463 (115 mm:n katkaisulaikkaan) ovat saatavilla BLACK+DECKER-huoltopalveluista.

- ◆ Aseta työkalu pöydälle kara (5) ylöspäin.
- ◆ Kohdista korvakkeet (7) loviin (8).
- ◆ Paina suojusta alaspäin ja kierrä sitä myötäpäivään haluttuun asentoon.
- ◆ Kiristä ruuvi (6) suojuksen kiinnittämiseksi paikoilleen.

Irrottaminen

- ◆ Löysää ruuvi (6).
- ◆ Kierrä suojusta myötäpäivään korvakkeiden (7) kohdistamiseksi loviin (8).
- ◆ Irrota suojus työkalusta.

Varoitus! Älä koskaan käytä työkalua ilman suojusta.

Sivukahvan kiinnittäminen

- ◆ Ruuvaa sivukahva (4) yhteen työkalun kiinnitysreistä.

Varoitus! Käytä aina sivukahvaa.

Hiomalaikkojen kiinnittäminen ja irrottaminen (kuvat B - D)

Käytä aina työhösi sopivaa laikkatyyppiä. Käytä aina laikkaa, jolla on oikea halkaisija ja sisäläpimita (katso Tekniset tiedot).

Kiinnittäminen

- ◆ Aseta suojus paikalleen yllä kuvatulla tavalla.
- ◆ Aseta sisälaippa (10) karaan (5) kuvan B mukaisesti. Varmista, että laippa on asetettu oikein karan tasaisille pinnoille.
- ◆ Aseta laikka (11) karaan (5) kuvan B mukaisesti. Jos laikassa on korotettu keskusta (12), varmista, että keskusta on sisälaijan puolella.
- ◆ Varmista, että laikka on asetettu sisälaiपालle oikein.
- ◆ Aseta ulkolaippa (13) karaan. Hiomalaikkaa kiinnitettäessä ulkolaipan korotettu keskusta täytyy olla laikan puolella (kohta A kuvassa C). Leikkauslaikkaa kiinnitettäessä ulkolaipan korotettu keskusta täytyy olla laikasta pois päin (kohta B kuvassa C).
- ◆ Pidä karalukkoa (2) painettuna ja kiristä ulkolaippa sakara-avainta (14) käyttäen (kuva D).

Irrottaminen

- ◆ Pidä karalukko (2) painettuna ja löysää ulkolaippaa (13) sakara-avaimella (14) (kuva D).
- ◆ Poista ulkolaippa (13) ja laikka (11).

Pintahionta hiomalaikoilla

- ◆ Anna työkalun pysähtyä kokonaan ennen kuin työkalu koskettaa työpintaa.
- ◆ Paina työpintaa mahdollisimman vähän, jotta työkalu toimii korkealla nopeudella. Hiomateho on suurin, kun työkalu toimii korkealla nopeudella.
- ◆ Pidä työkalu 20–30 asteen kulmassa työpintaan nähden kuvan F mukaisesti.
- ◆ Liikuta työkalua tasaisesti eteen- ja taaksepäin, jotta se ei aiheuta kuoppia työpintaan.
- ◆ Poista työkalu työpinnasta ennen työkalun sammuttamista. Anna työkalun pysähtyä ennen sen asettamista alas.

Reunahionta hiomalaikoilla

Leikkaamiseen ja reunahiontaan tarkoitetut laikat voivat rikkoutua tai potkaista takaisin taipumisen tai vääntymisen seurauksena, jos niitä käytetään katkaisuun tai syvään hiontaan. Reunan hiominen/leikkaus tyyppin 27 laikalla on rajoitettava syvyydeltään alle 13 mm:n leikkauksiin ja uriin käyttäessä uutta laikkaa. Laske leikkauksen/urituksen syvyyttä laikan säteen kulumisen mukaan. Katso lisätietoa osiosta "Hionta- ja leikkauksilävarusteet". Reunan hiominen/leikkaus tyyppin 41 laikalla edellyttää tyyppin 41 suojusta.

- ◆ Anna työkalun pysähtyä kokonaan ennen kuin työkalu koskettaa työpintaa.
- ◆ Paina työpintaa mahdollisimman vähän, jotta työkalu toimii korkealla nopeudella. Hiomateho on suurin, kun työkalu toimii korkealla nopeudella.
- ◆ Asetu niin, että laikan avoin alapuoli osoittaa itsestäsi pois päin.
- ◆ Kun leikkaus on aloitettu ja työkappaleeseen tehdään ura, älä muuta leikkaukskulmaa. Jos kulmaa muutetaan, laikka taittuu ja se voi rikkoutua. Reunan hiomalaikkoja ei ole tarkoitettu kestävämmän taittumisen aiheuttamia sivupaineita.
- ◆ Poista työkalu työpinnasta ennen työkalun sammuttamista. Anna työkalun pysähtyä ennen sen asettamista alas.

Varoitus! Älä käytä reunan hioma-/leikkulaikkoja pinnan hiomiseen, jos laikan merkintä kieltää sen, koska niitä ei ole tarkoitettu kestävämmän pinnan hiomisen aikana tapahtuvia sivupaineita. Laikka voi tällöin rikkoutua ja henkilövahinkoja tapahtua.

Hiekkapaperilaikkojen kiinnittäminen ja irrottaminen (kuvat D ja E)

Tukilaijan käyttäminen on pakollista hionnassa. Tukilaippoja on saatavana lisävarusteena BLACK+DECKER -jälleenmyyjiltä.

Kiinnittäminen

- ◆ Aseta sisälaippa (10) karaan (5) kuvan E mukaisesti. Varmista, että laippa on asetettu oikein karan tasaisille pinnoille.
- ◆ Aseta tukilaippa (15) karaan.
- ◆ Aseta hiekkapaperilaikka (16) tukilaiपालle.
- ◆ Aseta ulkolaippa (13) karaan siten, että sen korotettu keskusta on pois päin laikasta.
- ◆ Pidä karalukkoa (2) painettuna ja kiristä ulkolaippa sakara-avainta (14) käyttäen (kuva D). Varmista, että ulkolaippa on kiinnitetty oikein ja että laikka on tiukasti paikallaan.

Irrottaminen

- ◆ Pidä karalukko (2) painettuna ja löysää ulkolaippaa (13) sakara-avaimella (14) (kuva D).

- ◆ Poista ulkolaippa (13), hiekkapaperilaikka (16) ja tukilaippa (15).

Pinnan viimeistely hiekkapaperilaikoilla

- ◆ Anna työkalun pysähtyä kokonaan ennen kuin työkalu koskettaa työpintaa.
- ◆ Paina työpintaa mahdollisimman vähän, jotta työkalu toimii korkealla nopeudella. Hiomateho on suurin, kun työkalu toimii korkealla nopeudella.
- ◆ Pidä työkalu 5–10 asteen kulmassa työpintaan nähden kuvan G mukaisesti.
- ◆ Liikuta työkalua tasaisesti eteen- ja taaksepäin, jotta se ei aiheuta kuoppia työpintaan.
- ◆ Poista työkalu työpinnasta ennen työkalun sammuttamista. Anna työkalun pysähtyä ennen sen asettamista alas.

Hiomapaperin tukilaippon käyttöminen

Valitse aina oikeat hiomapaperilaikat käyttötarkoitukseen. Eri karkeusasteisia hiomapaperilaikkoja on saatavilla. Karkeat laikat poistavat materiaalia nopeammin ja tuloksena on karkeampi pinta. Hienopintaisemmat laikat poistavat materiaalia hitaammin ja tuloksena on tasaisempi pinta. Aloita käyttö karkeilla laikoilla materiaalin nopeaa ja karkeaa poistoa varten. Siirry keskikarkeaan hiomapaperiin ja viimeistelee hienopintaisella laikalla optimaalisen tuloksen saavuttamiseksi.

- ◆ Karkea = 16–30 karkeusaste.
- ◆ Keskikarkea = 36–80 karkeusaste.
- ◆ Hieno viimeistely = 100–120 karkeusaste.
- ◆ Erittäin hieno viimeistely = 150–180 karkeusaste.
- ◆ Anna työkalun pysähtyä kokonaan ennen kuin työkalu koskettaa työpintaa.
- ◆ Paina työpintaa mahdollisimman vähän, jotta työkalu toimii korkealla nopeudella. Hiomateho on suurin, kun työkalu toimii korkealla nopeudella.
- ◆ Pidä työkalu 5–10 asteen kulmassa työpintaan nähden kuvan H mukaisesti. Hiomalaikan tulee koskettaa työpintaa noin 25 mm:n verran.
- ◆ Siirrä työkalua jatkuvasti suorassa linjassa, jotta työpintaan ei tulisi palamisen tai kiertämisen. Jos työkalun annetaan olla työpintaa vasten sitä liikuttamatta tai jos työkalua liikutetaan pyörivin liikkein, työpintaa tulee palamisen ja kiertämisen merkkejä.
- ◆ Poista työkalu työpinnasta ennen työkalun sammuttamista. Anna työkalun pysähtyä ennen sen asettamista alas.

Varoimet hiottaessa maalia

- ◆ Lyijypohjaisen maalin hiomista **EI SUOSITELLA** saastuneen pölyn hallinnan vaikeuden vuoksi. Lyijymyrkytyksen vaara on suurin lapsille ja raskaana oleville naisille.

- ◆ Koska on vaikea määrittää ilman kemiallista analyysia sisältäkö maali lyijyä, suosittelemme seuraavia varotoimia maalia hiottaessa:

- ◆ Lapset tai raskaana olevat naiset eivät saa tulla työalueelle, jossa maalia hiotaan, ennen kuin työ on valmis ja työalue on puhdistettu.
- ◆ Kaikkien työalueelle tulevien ihmisten tulee käyttää hengityssuojainta. Suodatin tulee vaihtaa päivittäin tai aina, kun käyttäjän on vaikea hengittää.

Huomautus: Käytä ainoastaan hengityssuojia, jotka suojaavat sinut lyijypohjaisen maalin työstämisestä aiheutuvilta pölyltä ja höyryltä. Tavalliset hengityssuojat eivät anna tätä suojaa. Hanki paikallisesta rautakaupasta hyväksytty hengityssuojain.

- ◆ Työalueella EI SAA SYÖDÄ, JUODA tai TUPAKOIDA, jotta saastuneita maalihiukkasia ei pääsisi elimistöön. Työntekijöiden tulee peseytyä ja siistiytyä ENNEN syömistä, juomista tai tupakointia. Ruokia, juomia tai tupakointivälineitä ei tule jättää työalueelle, jossa pöly voi päästä niihin.
- ◆ Maali tulee poistaa niin, että syntyvän pölyn määrä on mahdollisimman pieni.
- ◆ Maalin poistamiseen käytetyt alueet tulee eristää muovikalvolla, jonka paksuus on 4 milliiä.
- ◆ Hiominen tulee suorittaa niin, että maalipölyä päätyy mahdollisimman vähän työalueen ulkopuolelle.
- ◆ Kaikki työalueen pinnat tulee imuroida ja puhdistaa huolellisesti päivittäin koko hiontaprojektin ajan. Imurin suodattimet tulee puhdistaa säännöllisesti.
- ◆ Muovipressut tulee kerätä ja hävittää lastujen tai muun jätteen kanssa. Ne tulee laittaa suljettuihin jätteasioihin ja hävittää tavallisten jätteenhävityssäännösten mukaisesti. Puhdistuksen aikana lasten ja raskaana olevien naisten tulee pysyä poissa välittömän työalueen läheltä.
- ◆ Kaikki lasten lelut, pestävät huonekalut ja tarvikkeet tulee pestä perusteellisesti ennen niiden uudelleenkäyttöä.

Teräsharjojen ja -laikkojen asentaminen ja käyttäminen

Kupin muotoiset teräslankaharjat tai teräslankalaikat voidaan ruuvata suoraan hiomakoneen karaan ilman laippoja. b. Tyypin 27 suojuus vaaditaan käyttäessä teräslankaharjoja ja -laikkoja. Käytä suojakäsineitä teräsharjoja ja -laikkoja käsitellessä. Niistä voi tulla teräviä. Laikka tai harja ei saa koskettaa suojaan asennuksen yhteydessä tai käytön aikana. Huomaamattomia vaurioitua voi tulla lisävarusteeseen, jolloin lisävarusteen laikasta tai kupista voi irrota teräspaloja.

- ◆ Kierrä laikka karaan käsin.
- ◆ Paina karan lukituspainiketta ja kiristä laikka säätämällä teräslaikan tai -harjan napaa avaimella.
- ◆ Poista laikka toimimalla päivävästiaissa järjestyksessä.

Varoitus! Jos laikan napaa asenneta oikein ennen työkalun käynnistämistä, työkalu tai laikka voi vaurioitua. Teräsharjoja ja -laikkoja voidaan käyttää ruosteen, kalkin ja maalin poistamiseen sekä epätasaisten pintojen tasoittamiseen.

Huomautus: Maalin lankaharjauksessa tulee noudattaa samoja varoitoimenpiteitä kuin maalin hionnassa.

- ◆ Anna työkalun pysähtyä kokonaan ennen kuin työkalu koskettaa työpintaa.
- ◆ Paina työpintaa mahdollisimman vähän, jotta työkalu toimii korkealla nopeudella. Materiaalin poistoteho on suurin, kun työkalu toimii korkealla nopeudella.
- ◆ Kun käytät kupin muotoista lankaharjaa, pidä työkalu 5–10 asteen kulmassa työpintaan nähden kuvan I mukaisesti.
- ◆ Pidä laikan reuna kiinni työpinnassa teräslaikkaa käyttäessä.
- ◆ Liikuta työkalua tasaisesti eteen- ja taaksepäin, jotta se ei aiheuta kuoppia työpintaan.
Jos työkalun annetaan olla työpintaa vasten sitä liikuttamatta tai jos työkalua liikutetaan pyörivin liikkein, työpintaa tulee palamisen ja kiertämisen merkkejä.
- ◆ Poista työkalu työpinnasta ennen työkalun sammuttamista. Anna työkalun pysähtyä ennen sen asettamista alas.

Varoitus! Ole erityisen varovainen reunaa työstäessä, sillä hiomakoneessa voi esiintyä äkinäisiä liikkeitä.

Leikkuulaikkojen (tyyppi 41) asentaminen ja käyttäminen

Leikkuulaikkoihin kuuluvat timanttilaikat ja hiomalait. Saatavilla on hiomalaitkoja metalli ja betonin leikkaamiseen. Myös betonin leikkaamiseen tarkoitettuja timanttilaikkoja voidaan käyttää.

HUOMIO: Suljettu kaksipuolinen tyyppi 41 leikkuulaikan suojus on saatavilla erikseen ja se vaaditaan leikkuulaikkoja käytettäessä. Mikäli oikeaoppista laippaa ja suoja ei käytetä, henkilövahinkoja voi tapahtua laikan rikkoutuessa tai kosketuksen yhteydessä. Leikkuulaikoissa tulee käyttää saman halkaisijan omaavaa taustalaippaa ja kierteistä lukitusmutteria (kuuluu työkaluun).

Suljetun (tyyppi 41) suojuksen asentaminen (kuvat J, K)

- ◆ Kohdista suojuksen kolme korvaketta navan kolmeen syvennykseen. Tällöin korvakkeet kohdistuvat ketjukotelon kannen aukkoihin kuvan J mukaisesti.
- ◆ Paina suojaa alaspäin, kunnes suojan kiinnityskorvake kiinnittyy ketjukotelon navassa olevaan uraan.
- ◆ Kierrä suojusta myötäpäivään sen lukitsemiseksi paikoilleen.
Suojan runko tulee asettaa karan ja käyttäjän väliin maksimaalisen käyttöturvallisuuden takaamiseksi.
- ◆ Kiristä suojuksen lukitusruuvi kiinnittääkseen suojuksen ketjukotelon kanteen.

Suojuksen kiertäminen käsin ei tällöin onnistu. Älä käytä hiomakonetta, jos suojuksen on kiinnitetty löysästi.

- ◆ Irrota suojuksen löysäämällä suojuksen lukitusruuvia. Kierrä suojusta sen jälkeen niin, että suojuksen kolme korvaketta kohdistuvat navan kolmeen syvennykseen ja vedä suojusta ylöspäin.

Leikkuulaikkojen asentaminen

- ◆ Aseta kiertetön taustalaippa karaan korkean osan (ohjain) osoittaessa ylöspäin. Taustalaipan korkea osa (ohjain) on laikkaa vasten, kun laikka asennetaan.
- ◆ Aseta laikka taustalaippaan keskittämällä laikka korkeaan osaan (ohjain).
- ◆ Asenna kierteinen lukitusmutteri niin, että korkea osa (ohjain) osoittaa laikasta pois päin.
- ◆ Paina karaan lukituspainiketta ja kiristä lukitusmutteri pakkaukseen kuuluvalla avaimella.
- ◆ Poista laikka painamalla karaan lukituspainiketta ja löysäämällä kierteistä lukitusmutteria pakkaukseen kuuluvalla avaimella.

Varoitus! Älä käytä reunan hioma-/leikkuulaikkoja pinnan hiomiseen, koska niitä ei ole tarkoitettu kestävämpään pinnan hiomisen aikana tapahtuvia sivupaineita. Laikka voi tällöin rikkoutua ja henkilövahinkoja tapahtua.

- ◆ Anna työkalun pysähtyä kokonaan ennen kuin työkalu koskettaa työpintaa.
- ◆ Paina työpintaa mahdollisimman vähän, jotta työkalu toimii korkealla nopeudella. Leikkausteho on suurin, kun työkalu toimii korkealla nopeudella.
- ◆ Kun leikkaus on aloitettu ja työkalu on painamassa, älä muuta leikkauskulmaa. Jos kulmaa muutetaan, laikka taittuu ja se voi rikkoutua.
- ◆ Poista työkalu työpinnasta ennen työkalun sammuttamista. Anna työkalun pysähtyä ennen sen asettamista alas.

Käyttö

Varoitus! Anna työkalun käydä omaan tahtiinsa. Älä ylikuormita sitä.

- ◆ Ohjaa kaapeli siten, ettei vahingossa leikkaa sitä.
- ◆ Valmistaudu kipinävirtaan hioma- tai leikkuulaikan koskettaessa työstökappaletta.
- ◆ Aseta työkalu aina siten, että suojuksen antaa optimaalisen suojan hioma- tai leikkuulaikalta.

Käynnistäminen ja sammuttaminen

- ◆ Käynnistä laite painamalla virtakytkintä (1).
- ◆ Sammuta laite vapauttamalla virtakytkin (1).

Varoitus! Älä sammuta työkalua sen ollessa kuormitettuna.

Vinkkejä parhaimman tuloksen saavuttamiseksi

- ◆ Pidä työkalusta tiukasti kiinni toisella kädellä sivukahvasta ja toisella pääkahvasta.

- ◆ Pidä hionnassa aina noin 15°:een kulma laikan ja työstökappaleen pinnan välillä.

Huolto

Verkkohjhdolla varustettu tai verkkohjhdoton BLACK+DECKER-laite on suunniteltu toimimaan mahdollisimman kauan mahdollisimman vähällä huollolla. Oikea käsittely ja säännöllinen puhdistus varmistavat laitteen ongelmattoman toiminnan.

Varoitus! Ennen verkkohjhdolla varustetun tai verkkohjhdottoman sähkötyökalun huoltoa toimi seuraavasti:

- ◆ Sammuta laite/työkalu ja irrota se verkkovirrasta.
- ◆ Jos laitteessa/työkalussa on erillinen akku, sammuta laite/työkalu ja irrota sen akku.
- ◆ Jos akku on kiinteä, käytä akku täysin loppuun ja sammuta laite sitten.
- ◆ Irrota laturi pistorasiasta ennen laturin puhdistamista. Laturi ei tarvitse säännöllisen puhdistamisen lisäksi mitään muuta huoltoa.
- ◆ Puhdista laitteen/työkalun/laturin ilma-aukot säännöllisesti pehmeällä harjalla tai kuivalla kangasliinalla.
- ◆ Puhdista moottorin kotelo säännöllisesti kostealla liinalla. Älä käytä hankaavia tai liuotinpohjaisia puhdistusaineita.
- ◆ Avaa istukka säännöllisesti ja naputtele pöly pois sen sisältä (soveltuvin osin).

Varaverkkopistoke (vain Iso-Britannia ja Irlanti)

Jos uusi verkkopistoke täytyy asentaa:

- ◆ Hävitä vanha pistoke ympäristöystävällisesti.
- ◆ Liitä ruskea johto uuden pistokkeen jännitteeseen napaan.
- ◆ Liitä sininen johto tähtipisteliitimeen.




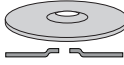




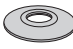

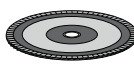

Varoitus! Maadoitusliitimeen ei tule tehdä liitoksia.

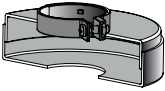









Noudata korkealaatuisten pistokkeiden mukana toimitettuja asennusohjeita. Suositeltu varoke: 13 A.

Vianetsintä

Ongelma	Mahdollinen syy	Mahdollinen ratkaisu
Laite ei käynnisty.	Virtajohtoa ei ole kiinnitetty pistorasiaan. Johto tai kytkin on vaurioitunut.	Liitä työkalu toimivaan pistorasiaan. Anna BLACK+DECKER-huoltopalvelun tai valtuutetun huoltajan vaihtaa johto tai kytkin.

Hionta- ja leikkuulisävarusteet

Hiomalaikat	
 Tyypin 27 suojus	 Tyypin 27 suojus
 Kierteetön taustalaippa	
 Tyypin 27 laikka keskipai-naumalla	 Tyypin 27 napalaikka
 Kierteinen mutteri	
Hiekkapaperilaikat	
 Tyypin 27 suojus	 Tyypin 27 suojus
	 Kierteetön taustalaippa
 Navallinen hiekkapaperi-laikka	 Navaton hiekkapaperilaikka
	 Kierteinen mutteri

Tyypin 41 leikkulaikat	
	
Tyypin 41 suojus	Tyypin 41 suojus
	
Taustalaippa	Taustalaippa
	
Hiova leikkulaikka	Timanttileikkulaikka
	
Lukitusmutteri	Lukitusmutteri
Teräslankalaikat	
	
Tyypin 27 suojus	Tyypin 27 suojus
	
3 tuuman kupin muotoinen teräslankaharja	4 tuuman kupin muotoinen teräslankaharja
Hiomapaperilaikat	
	
Kuminen tukilaippa	
	
Hiomapaperilaikka	
	
Kierteinen mutteri	

Tuotteissa ja akuissa on materiaaleja, jotka voidaan ottaa talteen tai kierrättää uudelleen käyttöä varten. Kierrätä sähkölaitteet ja akut paikallisten määräyksien mukaan. Lisätietoa on saatavilla osoitteessa www.2helpU.com

Tekniset tiedot

BEG010 Tyypin 1		
Syöttöjännite	V_{AC}	230
Ottoteho	W	710
Nimellisaika	min^{-1}	12000
Laikan sisäläpimitta	mm	22

Laikan maksimipaksuus		
	mm	6
Katkaisulaikat	mm	3,5
Karan koko		M14
Paino	Kg	1,7

Äänenpainetaso standardin EN 60745 mukaisesti:

Äänenpaine (L_{pA}) 89 dB(A), epävarmuus (K) 3 dB(A)

Ääniteho (L_{WA}) 100 dB(A), epävarmuus (K) 3 dB(A)

Tärinän kokonaisarvot (vektorisumma) standardin EN 60745 mukaisesti:

Pintahionta ($a_{h,AC}$) 5,1 m/s^2 , epävarmuus (K) 1,5 m/s^2

Leikkaaminen ($a_{h,CC}$) 4,8 m/s^2 , epävarmuus (K) 1,5 m/s^2

Laikkahionta ($a_{h,DS}$) 6,6 m/s^2 , epävarmuus (K) 1,5 m/s^2

EY-vaatimustenmukaisuusvakuutus

KONEDIREKTIIVI



BEG010 Kulmahiomakone

Black & Decker ilmoittaa, että tuotteet, jotka on kuvattu kohdassa Tekniset tiedot, täyttävät seuraavien direktiivien vaatimukset:

2006/42/EY, EN 60745-1:2009 + A11:2010;

EN 60745-2-3:2011 + A2:2013 + A11:2014

+ A12:2014 + A13:2015

Nämä tuotteet täyttävät myös direktiivien 2014/30/EU ja 2011/65/EU vaatimukset.

Lisätietoja saa ottamalla yhteyden Black & Deckeriin seuraavassa osoitteessa. Tiedot ovat myös käyttöohjeen takakannessa.

Ympäristönsuojelu



Toimita tämä laite erilliskeräykseen. Tällä symbolilla merkityjä tuotteita ja akkuja ei saa hävittää tavallisen kotitalousjätteen mukana.

Allekirjoittanut vastaa teknisten tietojen kokoamisesta tehden tämän ilmoituksen Black & Deckerin puolesta.



R. Laverick
Teknisen osaston johtaja
Black & Decker Europe, 210 Bath Road, Slough,
Berkshire, SL1 3YD
Iso-Britannia
27.9.2017

Takuu

Black & Decker on vakuuttanut tuotteidensa korkeasta laadusta ja tarjoaa kuluttajille 24 kuukauden takuun, joka astuu voimaan ostopäivänä. Takuu on lisäys kuluttajan laillisiin oikeuksiin eikä vaikuta niihin. Tämä takuu on voimassa kaikissa EU- ja ETA-maissa.

Edellytyksenä takuun saamiselle on, että vaade täyttää Black & Deckerin ehdot ja että ostaja toimittaa ostotositteen jälleenmyyjälle tai valtuutetulle huoltoliikkeelle. Black & Deckerin kahden vuoden takuun ehdot ja lähimmän valtuutetun korjauspalvelun yhteystiedot ovat saatavilla osoitteessa www.2helpU.com tai ottamalla yhteyttä paikalliseen Black & Deckerin toimipisteeseen tässä ohjekirjassa ilmoitettuihin osoitteisiin.

Käy verkkosivuiltamme osoitteessa www.blackanddecker.co.uk ja rekisteröi uusi Black & Decker -tuotteesi. Sivuilta saat myös päivityksiä uusista tuotteista ja erikoistarjouksista.

Käyttötarkoitus

Oγωνιακός τροχός BLACK+DECKER BEG010 που αποκτήσατε έχει σχεδιαστεί για τρύχισμα-λείανση και κοπή μετάλλων και ειδών τοιχοποιίας με χρήση του κατάλληλου τύπου δίσκου κοπής ή τρύχιματος. Όταν έχει τοποθετηθεί στο εργαλείο το κατάλληλο προστατευτικό, το εργαλείο προορίζεται μόνο για ερασιτεχνική χρήση.

Οδηγίες ασφαλείας

Γενικές προειδοποιήσεις ασφαλείας για ηλεκτρικά εργαλεία



Προειδοποίηση! Διαβάστε όλες τις προειδοποιήσεις ασφαλείας και όλες τις οδηγίες. Η μη τήρηση των παρακάτω προειδοποιήσεων και οδηγιών μπορεί να προκαλέσει ηλεκτροπληξία, πυρκαγιά και/ή σοβαρές σωματικές βλάβες.

Φυλάξτε όλες τις προειδοποιήσεις και τις οδηγίες για μελλοντική αναφορά. Ο όρος "ηλεκτρικό εργαλείο" που χρησιμοποιείται σε όλες τις παρακάτω προειδοποιήσεις, αναφέρεται είτε σε εργαλείο που λειτουργεί με ρεύμα δικτύου (ρεύματος - με καλώδιο) είτε σε εργαλείο που λειτουργεί με μπαταρία (μπαταρίας - χωρίς καλώδιο).

1. Ασφάλεια χώρου εργασίας

- α. Διατηρείτε το χώρο εργασίας καθαρό και καλά φωτισμένο. Οι ατακτοποιήτοι ή σκοτεινοί χώροι γίνονται αιτίες ατυχημάτων.
- β. Μη χρησιμοποιείτε ηλεκτρικά εργαλεία σε περιβάλλον όπου υπάρχει κίνδυνος έκρηξης, όπως με παρουσία εύφλεκτων υγρών, αερίων ή σκόνης. Τα ηλεκτρικά εργαλεία παράγουν σπινθήρες που μπορεί να προκαλέσουν ανάφλεξη της σκόνης ή των αναθυμιάσεων.
- γ. Όταν χρησιμοποιείτε ηλεκτρικό εργαλείο, κρατάτε μακριά τα παιδιά και άλλα άτομα. Παράγοντες που αποσπούν την προσοχή μπορεί να σας κάνουν να χάσετε τον έλεγχο.

2. Ασφαλής χρήση ηλεκτρικού ρεύματος

- α. Τα φως των ηλεκτρικών εργαλείων πρέπει να ταιριάζουν στην πρίζα. Σε καμία περίπτωση μην τροποποιήσετε το φως, με κανένα τρόπο. Μη χρησιμοποιείτε φως προσαρμογής με γειωμένα ηλεκτρικά εργαλεία. Τα φως που δεν έχουν υποστεί τροποποιήσεις και οι κατάλληλες πρίζες μειώνουν τον κίνδυνο ηλεκτροπληξίας.
- β. Αποφεύγετε την επαφή του σώματός σας με γειωμένες επιφάνειες, όπως σωλήνες, καλοριφέρ, κουζίνες και ψυγεία. Υπάρχει αυξημένος κίνδυνος ηλεκτροπληξίας αν το σώμα σας είναι γειωμένο.

- γ. Μην εκθέτετε τα ηλεκτρικά εργαλεία σε βροχή ή υγρασία. Η διείσδυση νερού σε ένα ηλεκτρικό εργαλείο αυξάνει τον κίνδυνο ηλεκτροπληξίας.
- δ. Μην κακομεταχειρίζεστε το καλώδιο. Ποτέ μη χρησιμοποιείτε το καλώδιο για να μεταφέρετε το ηλεκτρικό εργαλείο, να το τραβήξετε ή να το αποσυνδέσετε από την πρίζα. Κρατάτε το καλώδιο μακριά από θερμότητα, λάδια, αιχμηρά άκρα ή κινούμενα μέρη. Τα καλώδια που έχουν υποστεί ζημιά ή είναι μπερδεμένα αυξάνουν τον κίνδυνο ηλεκτροπληξίας.
- ε. Όταν χρησιμοποιείτε ηλεκτρικό εργαλείο σε εξωτερικούς χώρους, να χρησιμοποιείτε πάντοτε καλώδιο επέκτασης κατάλληλο για εργασία σε εξωτερικούς χώρους. Η χρήση καλωδίου κατάλληλου για εργασία σε εξωτερικούς χώρους μειώνει τον κίνδυνο ηλεκτροπληξίας.
- στ. Εάν είναι αναπόφευκτη η χρήση ενός ηλεκτρικού εργαλείου σε συνθήκες υγρασίας, χρησιμοποιήστε μια διάταξη προστασίας από ρεύμα διαρροής (RCD). Η χρήση μιας διάταξης RCD μειώνει τον κίνδυνο ηλεκτροπληξίας.
3. Προσωπική ασφάλεια
- α. Όταν χρησιμοποιείτε ηλεκτρικό εργαλείο, να είστε σε εγρήγορση, να συγκεντρώνετε στην εργασία που κάνετε και να επιστρατεύετε την κοινή λογική. Μη χρησιμοποιείτε ηλεκτρικό εργαλείο όταν είστε κουρασμένος/η ή υπό την επήρεια ναρκωτικών, οινοπνεύματος ή φαρμακευτικής αγωγής. Μια στιγμή απροσεξίας κατά τη χρήση ηλεκτρικών εργαλείων μπορεί να προκαλέσει σοβαρό τραυματισμό.
- β. Να χρησιμοποιείτε ατομικό εξοπλισμό προστασίας. Πάντα φοράτε προστασία ματιών. Ο εξοπλισμός προστασίας, όπως μάσκα κατά της σκόνης, αντιολισθητικά παπούτσια ασφαλείας, κράνος ή προστασία ακοής, όταν χρησιμοποιείται για τις κατάλληλες συνθήκες, θα μειώσει τους τραυματισμούς και τις σωματικές βλάβες.
- γ. Αποτρέπετε την ακούσια ενεργοποίηση. Βεβαιωθείτε ότι ο διακόπτης βρίσκεται στη θέση απενεργοποίησης, πριν συνδέσετε το εργαλείο στην πηγή ρεύματος και/ή τοποθετήσετε το πακέτο μπαταρίας, καθώς και πριν πάρετε στα χέρια σας ή μεταφέρετε το εργαλείο. Η μεταφορά ηλεκτρικών εργαλείων με το δάχτυλο πάνω στο διακόπτη ή η σύνδεση στο ρεύμα ηλεκτρικών εργαλείων με το διακόπτη στη θέση ενεργοποίησης, ενέχει κινδύνους ατυχημάτων.
- δ. Πριν θέσετε το ηλεκτρικό εργαλείο σε λειτουργία, αφαιρέστε τυχόν εργαλεία ή κλειδιά ρύθμισης. Εάν αφήσετε ένα εργαλείο ή κλειδί πάνω σε κάποιο περιστρεφόμενο εξάρτημα του ηλεκτρικού εργαλείου, μπορεί να προκληθούν τραυματισμοί.
- ε. Μην τεντώνεστε υπερβολικά. Διατηρείτε πάντα σταθερή στήριξη στα πόδια σας και καλή ισορροπία. Έτσι μπορείτε να έχετε καλύτερο έλεγχο του ηλεκτρικού εργαλείου σε μη αναμενόμενες καταστάσεις.
- στ. Φοράτε κατάλληλη ενδυμασία εργασίας. Μη φοράτε φορδιά ρούχα ούτε κοσμήματα. Κρατάτε τα μαλλιά, τα ρούχα και τα γάντια σας μακριά από κινούμενα μέρη. Τα φορδιά ρούχα, τα κοσμήματα και τα μακριά μαλλιά μπορούν να πιαστούν σε κινούμενα μέρη.
- ζ. Αν παρέχονται διατάξεις για τη σύνδεση συστημάτων απομάκρυνσης και συλλογής της σκόνης, βεβαιωθείτε ότι αυτές είναι συνδεδεμένες και χρησιμοποιούνται σωστά. Η χρήση διατάξεων συλλογής της σκόνης μπορεί να μειώσει τους κινδύνους που προέρχονται από τη σκόνη.
4. Χρήση και φροντίδα ηλεκτρικών εργαλείων
- α. Μην υπερφορτώνετε το ηλεκτρικό εργαλείο. Χρησιμοποιείτε το σωστό ηλεκτρικό εργαλείο για την εφαρμογή σας. Το σωστό ηλεκτρικό εργαλείο θα εκτελέσει την εργασία καλύτερα και ασφαλέστερα, με την ένταση χρήσης για την οποία σχεδιάστηκε.
- β. Μη χρησιμοποιήσετε το ηλεκτρικό εργαλείο αν ο διακόπτης του δεν μπορεί να το ενεργοποιεί και απενεργοποιεί. Ένα ηλεκτρικό εργαλείο του οποίου η λειτουργία δεν μπορεί να ελεγχθεί με το διακόπτη είναι επικίνδυνο και πρέπει να επισκευαστεί.
- γ. Αποσυνδέστε το φις από την πηγή ρεύματος και/ή το πακέτο μπαταρίας από το ηλεκτρικό εργαλείο, πριν διεξαγάγετε οποιαδήποτε ρύθμιση, αλλαγή αξεσουάρ ή όταν πρόκειται να αποθηκεύσετε το ηλεκτρικό εργαλείο. Τέτοια προληπτικά μέτρα ασφαλείας μειώνουν τον κίνδυνο αθέλητης εκκίνησης του ηλεκτρικού εργαλείου.
- δ. Να φυλάσσετε μακριά από παιδιά τα ηλεκτρικά εργαλεία που δεν χρησιμοποιείτε. Μην αφήνετε να χρησιμοποιήσουν ηλεκτρικό εργαλείο άτομα που δεν είναι εξοικειωμένα με αυτό ή άτομα που δεν έχουν διαβάσει αυτές τις οδηγίες χρήσης. Τα ηλεκτρικά εργαλεία είναι επικίνδυνα στα χέρια μη εκπαιδευμένων χρηστών.
- ε. Να συντηρείτε τα ηλεκτρικά εργαλεία. Ελέγχετε για προβλήματα ευθυγράμμισης ή για μάγκωμα των κινούμενων εξαρτημάτων, θραύση εξαρτημάτων, καθώς και για οποιοδήποτε άλλο πρόβλημα μπορεί να επηρεάσει τη λειτουργία των ηλεκτρικών εργαλείων. Αν το ηλεκτρικό εργαλείο έχει υποστεί ζημιά, φροντίστε να επισκευαστεί πριν το χρησιμοποιήσετε. Η ανεπαρκής συντήρηση των ηλεκτρικών εργαλείων αποτελεί αιτία πολλών ατυχημάτων.
- στ. Διατηρείτε τα κοπτικά εργαλεία κοφτερά και καθαρά.

Τα κοπτικά εργαλεία με κοφτερές κοπτικές αιχμές που συνηθρούνται σωστά έχουν λιγότερες πιθανότητες να μαγκώσουν και ελέγχονται ευκολότερα.

- ζ. Να χρησιμοποιείτε το ηλεκτρικό εργαλείο, τα αξεσουάρ και τις μύτες του εργαλείου κλπ. σύμφωνα με τις παρούσες οδηγίες, λαμβάνοντας υπόψη σας τις συνθήκες εργασίας και την εργασία που θέλετε να εκτελέσετε. Η χρήση του ηλεκτρικού εργαλείου για εργασίες διαφορετικές από τις προβλεπόμενες θα μπορούσε να οδηγήσει σε επικίνδυνη κατάσταση.

5. Σέρβις

- α. Αναθέτετε το σέρβις του ηλεκτρικού σας εργαλείου σε εξειδικευμένο τεχνικό επισκευών που χρησιμοποιεί μόνο γνήσια ανταλλακτικά. Έτσι θα εξασφαλίσετε τη διατήρηση της ασφάλειας του ηλεκτρικού εργαλείου.

Πρόσθετες προειδοποιήσεις ασφαλείας για ηλεκτρικά εργαλεία



Προειδοποίηση! Πρόσθετες προειδοποιήσεις ασφαλείας κοινές για εργασίες τροχίσματος, λείανσης με γυαλόχαρτο, συρματόβουρτσας ή αποκοπής με λειαντικό δίσκο:

- ♦ Αυτό το ηλεκτρικό εργαλείο προορίζεται για χρήση ως τροχός, τριβείο, συρματόβουρτσα, σιλωβωτικό ή εργαλείο αποκοπής. Διαβάστε όλες τις προειδοποιήσεις ασφαλείας, τις οδηγίες, τις απεικονίσεις και τις προδιαγραφές που συνοδεύουν αυτό το ηλεκτρικό εργαλείο.

Η μη τήρηση οποιασδήποτε από τις οδηγίες που αναφέρονται πιο κάτω μπορεί να έχει ως αποτέλεσμα ηλεκτροπληξία, πυρκαγιά και/ή σοβαρό τραυματισμό.

- ♦ Οι εργασίες για τις οποίες δεν έχει σχεδιαστεί το εργαλείο μπορεί να δημιουργήσουν κίνδυνο και να προκαλέσουν σωματική βλάβη.
- ♦ Μη χρησιμοποιείτε εξαρτήματα τα οποία δεν σχεδιάστηκαν ειδικά και δεν συνιστώνται από τον κατασκευαστή του εργαλείου. Απλά επειδή το αξεσουάρ μπορεί να προσαρτηθεί στο ηλεκτρικό σας εργαλείο, αυτό δεν εξασφαλίζει την ασφαλή λειτουργία.
- ♦ Ο ονομαστικός αριθμός στροφών του αξεσουάρ πρέπει να είναι τουλάχιστον ίσος με το μέγιστο αριθμό στροφών που αναγράφεται στο εργαλείο. Αξεσουάρ που περιστρέφονται ταχύτερα από την ονομαστική τους ταχύτητα μπορεί να σπάσουν και τα θραύσματά τους να εκτιναχθούν.
- ♦ Η εξωτερική διάμετρος και το πάχος του εξαρτήματος πρέπει να βρίσκονται εντός των ορίων των ικανοτήτων του ηλεκτρικού εργαλείου σας. Για αξεσουάρ με λανθασμένες διαστάσεις δεν μπορεί να εξασφαλιστεί επαρκής προστασία ή έλεγχος.

- ♦ Η τοποθέτηση αξεσουάρ με σπείρωμα πρέπει να ταιριάζει στο σπείρωμα του άξονα του τροχού. Για αξεσουάρ που στερεώνονται με φλάντζες, η οπή ατράκτου του αξεσουάρ πρέπει να ταιριάζει με τη διάμετρο τοποθέτησης της φλάντζας. Αξεσουάρ που δεν ταιριάζουν με τα υλικά στερέωσης του ηλεκτρικού εργαλείου θα κινούνται εκτός ζυγοστάθμισης, θα δονούνται υπερβολικά και μπορεί να γίνουν αιτία απώλειας του ελέγχου.
- ♦ Μη χρησιμοποιήσετε αξεσουάρ που έχει υποστεί ζημιά. Πριν από κάθε χρήση, επιθεωρείτε το αξεσουάρ, όπως τροχούς λείανσης, για εκλεπίσεις και ρωγμές, την επιφάνεια στήριξης για ρωγμές, σχίσσιμο ή υπερβολική φθορά, τη συρματόβουρτσα για αποκολλημένα ή ραγισμένα σύρματα. Αν πέσει κάτω το ηλεκτρικό εργαλείο ή το αξεσουάρ, ελέγξτε το αξεσουάρ προσεκτικά για ζημιά ή εγκαταστήστε αξεσουάρ που δεν έχει υποστεί ζημιά. Μετά τον έλεγχο και την εγκατάσταση ενός αξεσουάρ λειτουργήστε το εργαλείο στη μέγιστη ταχύτητα χωρίς φορτία για ένα λεπτό. Τα αξεσουάρ που έχουν υποστεί ζημιά κανονικά θα διαλυθούν στη διάρκεια αυτού του χρόνου δοκιμής.
- ♦ Φοράτε ατομικό εξοπλισμό προστασίας. Ανάλογα με την εφαρμογή, χρησιμοποιείτε προστατευτικό πρόσωπο, ειδικά ματογυάλια ασφαλείας ή γυαλιά ασφαλείας. Φοράτε, όπως ενδεικνύεται, μάσκα κατά της σκόνης, προστατευτικά ακοής, γάντια και ποδιά συνεργείου ικανή να σταματά θραύσματα από τον τροχό λείανσης ή το τεμάχιο εργασίας. Τα προστατευτικά ματιών πρέπει να έχουν την ικανότητα να σταματούν εκτινασσόμενα σωματίδια που παράγονται από διάφορες εργασίες. Η μάσκα σκόνης ή αναπνευστική συσκευή πρέπει να είναι σε θέση να φιλτράρει σωματίδια που παράγονται από την εργασία σας. Η παρατεταμένη έκθεση σε θόρυβο υψηλής έντασης μπορεί να προκαλέσει απώλεια ακοής.
- ♦ Κρατήστε τους παρειρισκόμενους σε μια ασφαλή απόσταση από το χώρο εργασίας. Οποιοσδήποτε εισέρχεται στον χώρο εργασίας πρέπει να φορά προστατευτικό εξοπλισμό. Θραύσματα του τεμαχίου εργασίας ή ένα σπασμένο αξεσουάρ μπορεί να εκσφενδονιστεί και να προκαλέσει τραυματισμούς πέρα από την άμεση περιοχή των εργασιών.
- ♦ Κρατάτε το ηλεκτρικό εργαλείο μόνο από τις μονωμένες επιφάνειες κρατήματος, όταν εκτελείτε κάποια εργασία κατά την οποία το εξάρτημα κοπής μπορεί να έρθει σε επαφή με κρυμμένα καλώδια ή με το δικό του καλώδιο. Αν κόψει καλώδιο υπό τάση μπορεί να τεθούν υπό ηλεκτρική τάση και τα εκτεθειμένα μεταλλικά μέρη του ηλεκτρικού εργαλείου και να προκληθεί ηλεκτροπληξία στο χειριστή.

- ◆ **Χρησιμοποιείτε σφιγκτήρες ή άλλο πρακτικό μέσο για να στερεώνετε και να στηρίζετε το τεμάχιο εργασίας σε σταθερό υπόβαθρο.** Αν κρατάτε το τεμάχιο εργασίας με το χέρι σας ή κόντρα στο σώμα σας, αυτό δεν είναι σταθερό και μπορεί να προκληθεί απώλεια ελέγχου.
- ◆ **Τοποθετείτε το καλώδιο μακριά από το περιστρεφόμενο αξεσουάρ.** Αν χάσετε τον έλεγχο, το καλώδιο μπορεί να κοπεί ή να μπλεχτεί και το κάτω ή το πάνω τμήμα του χειριού σας μπορεί τραβηχτεί πάνω στο περιστρεφόμενο αξεσουάρ.
- ◆ **Ποτέ μην αποθέτετε το ηλεκτρικό εργαλείο πριν το εξάρτημα ακινητοποιηθεί πλήρως.** Το περιστρεφόμενο αξεσουάρ μπορεί να έρθει σε επαφή με την επιφάνεια και να ακινητοποιηθεί σε αυτή, με αποτέλεσμα το ηλεκτρικό εργαλείο να τραβηχτεί εκτός ελέγχου σας.
- ◆ **Μην λειτουργείτε το ηλεκτρικό εργαλείο ενώ το μεταφέρετε στο πλευρό σας.** Τυχόν αθέλητη επαφή με το περιστρεφόμενο αξεσουάρ θα μπορούσε να πιάσει τα ρούχα σας, τραβώντας το αξεσουάρ προς το σώμα σας.
- ◆ **Καθαρίζετε τακτικά τις εγχοπές εξαιρισμού του εργαλείου.** Ο ανεμιστήρας του μοτέρ θα τραβήξει τη σκόνη μέσα στο περίβλημα και η υπερβολικά μεγάλη συγκέντρωση σκόνης μετάλλου μπορεί να προκαλέσει κινδύνους από το ηλεκτρικό ρεύμα.
- ◆ **Μη χρησιμοποιείτε το ηλεκτρικό εργαλείο κοντά σε εύφλεκτα υλικά.** Αυτά τα υλικά θα μπορούσαν να αναφλεγούν από σπινθήρες.
- ◆ **Μη χρησιμοποιείτε εξαρτήματα που απαιτούν ψυκτικά υγρά.** Η χρήση νερού ή άλλων υγρών ψυκτικών μπορεί να προκαλέσει ηλεκτροπληξία που ίσως αποβεί θανατηφόρα.

Σημείωση: Η παραπάνω προειδοποίηση δεν έχει εφαρμογή σε ηλεκτρικά εργαλεία που έχουν σχεδιαστεί ειδικά για χρήση με σύστημα υγρού.

Ανάδραση και σχετικές προειδοποιήσεις

Η ανάδραση (κλώσημα) είναι μια ξαφνική αντίδραση όταν ένας περιστρεφόμενος τροχός, πέλμα στήριξης γυαλόχαρτο, βούρτσα ή κάποιο άλλο εξάρτημα σφηνώσει ή μαγκώσει. Το σφηνώμα ή μάγκωμα προκαλεί ταχεία ακινητοποίηση του περιστρεφόμενου αξεσουάρ που με τη σειρά της εξαναγκάζει το εκτός ελέγχου ηλεκτρικό εργαλείο προς την αντίθετη κατεύθυνση της περιστροφής του αξεσουάρ από το σημείο εμπλοκής.

Για παράδειγμα, αν ένας τροχός λείανσης πιαστεί ή κολλήσει στο αντικείμενο εργασίας, η ακμή του τροχού που εισέρχεται στο σημείο εμπλοκής μπορεί να σκάψει την επιφάνεια του υλικού προκαλώντας την έξοδο ή το κλώσημα του τροχού. Ο τροχός μπορεί είτε να αναπηδήσει προς το χειριστή ή αντίθετα από αυτόν, ανάλογα με την κατεύθυνση κίνησης του τροχού στο σημείο εμπλοκής. Οι τροχοί λείανσης μπορούν επίσης να σπάσουν υπό αυτές τις συνθήκες.

Η ανάδραση αποτελεί συνέπεια κακής χρήσης του ηλεκτρικού εργαλείου ή/και εσφαλμένων διαδικασιών ή συνθηκών λειτουργίας και μπορεί να αποφευχθεί με κατάλληλα προληπτικά μέτρα, όπως αυτά που περιγράφονται παρακάτω.

- ◆ **Διατηρείτε σταθερό κράτημα του ηλεκτρικού εργαλείου και τοποθετείτε το σώμα και το χέρι σας έτσι ώστε να μπορείτε να αντισταθείτε στις δυνάμεις της ανάδρασης.** Πάντα χρησιμοποιείτε τη βοηθητική λαβή, εάν παρέχεται, για μέγιστο έλεγχο της ανάδρασης ή της αντίδρασης ροπής κατά την εκκίνηση. Ο χειριστής μπορεί να ελέγξει αντιδράσεις ροπής ή δυνάμεις ανάδρασης αν έχουν ληφθεί κατάλληλες προφυλάξεις.
- ◆ **Ποτέ μην τοποθετείτε το χέρι σας κοντά στο περιστρεφόμενο εξάρτημα.** Το αξεσουάρ μπορεί με την ανάδραση να κινηθεί πάνω στο χέρι σας.
- ◆ **Μην τοποθετείτε το σώμα σας στην περιοχή όπου θα κινηθεί το ηλεκτρικό εργαλείο αν προκύψει ανάδραση.** Η ανάδραση θα κινήσει το εργαλείο σε αντίθετη κατεύθυνση από την κίνηση του τροχού στο σημείο εμπλοκής.
- ◆ **Δείτε ιδιαίτερη προσοχή κατά την εργασία σε γωνίες, αιχμηρές ακμές κλπ. Αποφύγετε την αναπήδηση και την εμπλοκή του εξαρτήματος.** Οι γωνίες, οι αιχμηρές ακμές ή η αναπήδηση έχουν την τάση να εμπλέκουν το περιστρεφόμενο αξεσουάρ και να προκαλούν απώλεια ελέγχου ή ανάδραση.
- ◆ **Μην προσαρμόσετε δίσκο κοπής ξύλου με αλυσίδα ή οδοντωτή πριονόλαμα.** Αυτού του είδους οι λεπίδες δημιουργούν συχνή ανάδραση και απώλεια του ελέγχου.

Προειδοποιήσεις ασφαλείας ειδικά για τρόχισμα και εργασίες λειαντικής αποκοπής

- ◆ **Χρησιμοποιείτε μόνο τύπους τροχού που συνιστώνται για το ηλεκτρικό εργαλείο σας και το συγκεκριμένο προστατευτικό που έχει σχεδιαστεί για τον επιλεγμένο τροχό.** Για τροχούς για τους οποίους δεν έχει σχεδιαστεί το ηλεκτρικό εργαλείο δεν μπορεί να επιτευχθεί επαρκής προστασία και επομένως αυτοί δεν είναι ασφαλείς.
- ◆ **Η επιφάνεια τροχίσματος τροχών κοίλων στο κέντρο πρέπει να τοποθετηθεί κάτω από την επιφάνεια της υποδοχής του προστατευτικού.** Ένας ακατάλληλα τοποθετημένος τροχός που προεξέχει από το επίπεδο του χείλους του προστατευτικού δεν επιτρέπει επαρκή προστασία.
- ◆ **Για τη μέγιστη ασφάλεια, το προστατευτικό πρέπει να συνδεθεί με ασφάλεια στο ηλεκτρικό εργαλείο και να είναι τοποθετημένο κατά τέτοιο τρόπο ώστε να εκτίθεται προς τον χειριστή το μικρότερο δυνατό μέρος του τροχού.**

Το προστατευτικό βοηθά να προστατεύεται ο χειριστής από θραύσματα λόγω ενδεχόμενης θραύσης του τροχού, από κατά λάθος επαφή με τον τροχό και από σπινθήρες οι οποίοι θα μπορούσαν να προκαλέσουν ανάφλεξη σε ρουχισμό.

- ◆ **Οι τροχοί πρέπει να χρησιμοποιούνται μόνο για τις συνιστώμενες εφαρμογές. Για παράδειγμα: μην τροχίζετε με το πλάι του τροχού κοπής.** Οι λειαντικοί τροχοί κοπής προορίζονται για τρόχισμα με την περιφέρεια μόνο και αν εφαρμοστούν πλευρικές δυνάμεις στους τροχούς αυτούς, μπορεί να προκληθεί θραύση τους.
- ◆ **Πάντοτε χρησιμοποιείτε φλάντζες τροχών χωρίς ζημιές και του σωστού μεγέθους και σχήματος για τον επιλεγμένο τροχό σας.** Η σωστή φλάντζα τροχού στήριξη τον τροχό, μειώνοντας έτσι την πιθανότητα θραύσης του τροχού. Οι φλάντζες για τροχούς κοπής μπορεί να είναι διαφορετικές από τις φλάντζες για τροχούς τρόχισματος.
- ◆ **Μη χρησιμοποιείτε φθαρμένους τροχούς από μεγαλύτερα ηλεκτρικά εργαλεία.** Ένας τροχός που προορίζεται για μεγαλύτερο ηλεκτρικό εργαλείο δεν είναι κατάλληλος για τη μεγαλύτερη ταχύτητα ενός μικρότερου εργαλείου και μπορεί να σπάσει.

Πρόσθετες προειδοποιήσεις ασφαλείας για εργασίες λειαντικής αποκοπής

- ◆ **Μη "σφηνώνετε" τον τροχό κοπής και μην εφαρμόζετε υπερβολική πίεση. Μην επιχειρείτε να επιτύχετε υπερβολικό βάθος κοπής.** Η υπερβολική καταπόνηση του τροχού αυξάνει το φορτίο και την ευπάθεια σε συστροφή ή μάγκωμα του τροχού μέσα στην κοπή και την πιθανότητα ανάδρασης ή θραύσης του τροχού.
- ◆ **Μην τοποθετείτε το σώμα σας σε ευθεία με έναν περιστρεφόμενο δίσκο.** Αν ο τροχός, στο σημείο χρήσης του, κινείται μακριά από το σώμα σας, μια πιθανή ανάδραση (κλώτσημα) μπορεί να κάνει τον περιστρεφόμενο τροχό και το ηλεκτρικό εργαλείο να πιναχτούν κατευθείαν προς το μέρος σας.
- ◆ **Όταν μαγκώνει ο τροχός ή όταν διακόπτετε μια κοπή για οποιονδήποτε λόγο, απενεργοποιείτε το ηλεκτρικό εργαλείο και κρατάτε το εργαλείο ακίνητο έως ότου ο τροχός ακινητοποιηθεί τελείως. Ποτέ μην προσπαθήσετε να αφαιρέσετε τον τροχό κοπής από την οπή, ενώ ο τροχός είναι σε κίνηση, διαφορετικά μπορεί να σημειωθεί ανάδραση.** Διερευνήστε και πάρτε διορθωτικά μέτρα για να εξαλείψετε το αίτιο του μαγκώματος του τροχού.
- ◆ **Μην επανεκκινήσετε την εργασία κοπής μέσα στο αντικείμενο εργασίας. Αφήστε πρώτα τον τροχό να φθάσει σε πλήρη ταχύτητα και προσεκτικά εισάγετε τον πάλι στην κοπή.**

Ο τροχός μπορεί να μαγκώσει, να κινηθεί προς το μέρος σας ή να παρουσιάσει ανάδραση αν το ηλεκτρικό εργαλείο επανεκκινήθει ενώ είναι μέσα στο τεμαχίο εργασίας.

- ◆ **Να υποστηρίζετε τα μεγάλα φύλλα ή τα υπερμεγέθη αντικείμενα εργασίας ώστε να ελαχιστοποιείτε τον κίνδυνο σφηνώματος και ανάδρασης του τροχού.** Τα μεγάλα αντικείμενα εργασίας τείνουν να κλπντούν υπό το ίδιο τους το βάρος. Τα στηρίγματα πρέπει να τοποθετούνται κάτω από το αντικείμενο εργασίας κοντά στη γραμμή κοπής και κοντά στο άκρο του τεμαχίου εργασίας και στις δύο πλευρές του τροχού.
- ◆ **Να προσέχετε πάρα πολύ κατά την εκτέλεση "κοπής εσοχής" μέσα σε τοίχους ή άλλες επιφάνειες που δεν υπάρχει ορατότητα.** Ο τροχός που προεξέχει μπορεί να κόψει σωληνές αερίου ή νερού, ηλεκτρικά καλώδια ή αντικείμενα που μπορεί να προκαλέσουν ανάδραση.

Προειδοποιήσεις ασφαλείας ειδικά για εργασίες γυαλοχαρτίσματος

- ◆ **Μη χρησιμοποιείτε υπερβολικά υπερμεγέθους χαρτί δίσκου γυαλοχαρτίσματος. Τηρήστε τις συστάσεις του κατασκευαστή, κατά την επιλογή γυαλόχαρτου.** Το μεγάλο γυαλόχαρτο που εκτείνεται πέρα από το πέλμα γυαλοχαρτίσματος δημιουργεί κίνδυνο κοψίματος και μπορεί να προκαλέσει μάγκωμα, σχίσιμο του δίσκου ή ανάδραση.

Προειδοποιήσεις ασφαλείας ειδικά για εργασίες χρήσης συρματόβουρτσας

- ◆ **Έχετε υπόψη σας ότι συρματίνες τρίχες εκσφενδονίζονται από τη βούρτσα ακόμη και κατά τη συνήθη λειτουργία. Μην καταπονείτε υπερβολικά τα συρμάτα εφαρμόζοντας υπερβολικό φορτίο στη βούρτσα.** Οι συρματίνες τρίχες μπορούν να διεισδύσουν εύκολα σε ελαφρύ ρουχισμό και/ή το δέρμα.
- ◆ **Αν συνιστάται η χρήση προστατευτικού για τις εργασίες με συρματόβουρτσα, μην επιτρέψετε οποιαδήποτε επαφή του συρματινού τροχού ή της συρματόβουρτσας με το προστατευτικό.** Η διάμετρος του συρματινού τροχού ή της συρματόβουρτσας μπορεί να αυξηθεί λόγω του φορτίου εργασίας και των φυγόκεντρων δυνάμεων.

Ασφάλεια τρίτων

- ◆ Η συσκευή αυτή δεν προορίζεται για χρήση από άτομα (περιλαμβανομένων παιδιών) με μειωμένες σωματικές, αισθητηριακές ή πνευματικές ικανότητες, ή με έλλειψη εμπειρίας και γνώσης, εκτός αν σε αυτά έχει παρασχεθεί από άτομο υπεύθυνο για την ασφάλειά τους επίβλεψη ή εκπαίδευση σχετικά με τη χρήση της συσκευής.
- ◆ Τα παιδιά θα πρέπει να βρίσκονται υπό επίβλεψη ώστε να διασφαλίζεται ότι δεν παίζουν με τη συσκευή.

Υπολειπόμενοι κίνδυνοι

Κατά τη χρήση του εργαλείου μπορεί να δημιουργηθούν πρόσθετοι υπολειπόμενοι κίνδυνοι, οι οποίοι ενδέχεται να μη συμπεριλαμβάνονται στις προειδοποιήσεις ασφαλείας που εσωκλείονται.

Αυτοί οι κίνδυνοι μπορεί να προκληθούν από κακή χρήση, παρατεταμένη χρήση κλπ.

Παρά την εφαρμογή των σχετικών κανονισμών ασφαλείας και τη χρήση διατάξεων ασφαλείας, ορισμένοι υπολειπόμενοι κίνδυνοι δεν είναι δυνατό να αποφευχθούν. Σε αυτούς περιλαμβάνονται:

- ♦ Τραυματισμοί από επαφή με οποιαδήποτε περιστρεφόμενα/κινούμενα μέρη.
- ♦ Τραυματισμοί κατά την αλλαγή οποιοδήποτε εξαρτημάτων, λεπίδων ή αξεσουάρ.
- ♦ Σωματικές βλάβες από παρατεταμένη χρήση εργαλείου. Όταν χρησιμοποιείτε οποιοδήποτε εργαλείο για παρατεταμένα χρονικά διαστήματα, μην παραλείπετε με κανένα τρόπο να κάνετε τακτικά διαλείμματα.
- ♦ Βλάβη της ακοής.
- ♦ Κίνδυνοι στην υγεία που προκαλούνται από την εισπνοή σκόνης όταν χρησιμοποιείτε το εργαλείο (παράδειγμα: όταν επεξεργάζεστε ξύλο, ειδικά δρυ, οξιά και MDF).

Κραδασμοί

Η δηλωμένη τιμή εκπομπής κραδασμών που αναφέρεται στα τεχνικά χαρακτηριστικά και τη δήλωση συμμόρφωσης έχει μετρηθεί σύμφωνα με τυποποιημένη μέθοδο δοκιμής που παρέχεται από το πρότυπο EN 60745 και μπορεί να χρησιμοποιηθεί για τη σύγκριση ενός εργαλείου με ένα άλλο. Η δηλωμένη τιμή εκπομπής κραδασμών μπορεί επίσης να χρησιμοποιηθεί σε έναν προκαταρκτικό προσδιορισμό της έκθεσης σε κραδασμούς.

Προειδοποίηση! Στην πράξη, η τιμή εκπομπής κραδασμών κατά την χρήση του ηλεκτρικού εργαλείου μπορεί να διαφέρει από την τιμή που δηλώθηκε, ανάλογα με τον τρόπο που χρησιμοποιείται το εργαλείο. Το επίπεδο κραδασμών μπορεί να αυξηθεί πάνω από το επίπεδο που έχει δηλωθεί.

Κατά τον προσδιορισμό της έκθεσης σε κραδασμούς για τον καθορισμό των απαιτούμενων μέτρων ασφαλείας σύμφωνα με την οδηγία 2002/44/EK για την προστασία προσώπων που χρησιμοποιούν συχνά ηλεκτρικά εργαλεία στην εργασία τους, μια προσεγγιστική εκτίμηση της έκθεσης σε κραδασμούς πρέπει να λαμβάνει υπόψη τις πραγματικές συνθήκες χρήσης και τον τρόπο χρήσης του εργαλείου, συμπεριλαμβανομένων και όλων των επιμέρους τμημάτων του κύκλου εργασίας, όπως τα χρονικά διαστήματα που το εργαλείο ήταν εκτός λειτουργίας και τα διαστήματα λειτουργίας χωρίς φορτίο, επιπλέον του χρόνου πίεσης της σκανδάλης.

Ετικέτες πάνω στο εργαλείο

Τα εικονογράμματα που ακολουθούν μαζί με τον κωδικό ημερομηνίας εμφανίζονται πάνω στο εργαλείο:



Προειδοποίηση! Για να μειωθεί ο κίνδυνος τραυματισμού, ο χρήστης πρέπει να διαβάσει το εγχειρίδιο οδηγιών.



Φοράτε γυαλιά ασφαλείας ή ειδικά προστατευτικά γυαλιά όταν χρησιμοποιείτε αυτό το εργαλείο.



Φοράτε προστατευτικά ακοής όταν χρησιμοποιείτε αυτό το εργαλείο

Ασφαλής χρήση ηλεκτρικού ρεύματος

Ο φορτιστής σας φέρει διπλή μόνωση. Επομένως, δεν απαιτείται αγωγός γείωσης. Ελέγχετε πάντα ότι η τάση ρεύματος δικτύου συμφωνεί με αυτήν που αναγράφεται στην πινακίδα τεχνικών χαρακτηριστικών.

- ♦ Αν το καλώδιο ρεύματος έχει υποστεί ζημιά, η αντικατάστασή του πρέπει να γίνει από τον κατασκευαστή ή από ένα εξουσιοδοτημένο κέντρο επισκευών της BLACK+DECKER, ώστε να μην αποτελέσει κίνδυνο.

Πτώσεις τάσης

Τα ρεύματα εκκίνησης προκαλούν σύντομες πτώσεις τάσης. Υπό μη ευνοϊκές συνθήκες τροφοδοσίας, μπορεί να επηρεαστεί άλλος εξοπλισμός. Εάν η αντίσταση της τροφοδοσίας είναι χαμηλότερη από 0,107 Ω, είναι απίθανο να παρουσιαστούν διαταραχές.

Χαρακτηριστικά

Αυτό το εργαλείο διαθέτει μερικά από ή όλα τα παρακάτω χαρακτηριστικά.

1. Διακόπτης ενεργοποίησης/ απενεργοποίησης (on/off)
2. Ασφάλεια άξονα
3. Προστατευτικό
4. Πλευρική λαβή

Συναρμολόγηση

Προειδοποίηση! Πριν από τη συναρμολόγηση, βεβαιωθείτε ότι το εργαλείο είναι απενεργοποιημένο και ότι το φως δεν είναι συνδεδεμένο στην πρίζα.

Τοποθέτηση και αφαίρεση του προστατευτικού (εικ. A1, A2)

Το εργαλείο συνοδεύεται από ένα προστατευτικό που προορίζεται μόνο για χρήσεις τροχίσματος (τύπου 27). Αν η μονάδα προορίζεται για εκτέλεση εργασιών κοπής, πρέπει να τοποθετηθεί ένα προστατευτικό ειδικό για αυτόν τον τύπο εργασίας (τύπου 41).

Ένα κατάλληλο προστατευτικό με αριθμό ανταλλακτικού N642463 (για τροχό κοπής 115 mm) μπορείτε να αποκτήσετε από κέντρα σέρβις της BLACK+DECKER.

- ◆ Τοποθετήστε το εργαλείο σε ένα τραπέζι, με τον άξονα (5) στραμμένο προς τα επάνω.
- ◆ Ευθυγραμμίστε τις ωτίδες (7) με τις εγκοπές (8).
- ◆ Πιέστε το προστατευτικό προς τα κάτω και περιστρέψτε το δεξιόστροφα στην απαιτούμενη θέση.
- ◆ Σφίξτε τη βίδα (6) για να στερεώσετε το προστατευτικό.

Αφαίρεση

- ◆ Ασκάρετε τη βίδα (6).
- ◆ Περιστρέψτε το προστατευτικό αριστερόστροφα για να ευθυγραμμίστε τις ωτίδες (7) με τις εγκοπές (8).
- ◆ Αφαιρέστε το προστατευτικό από το εργαλείο.

Προειδοποίηση! Μην χρησιμοποιείτε ποτέ το εργαλείο χωρίς το προστατευτικό.

Τοποθέτηση της πλευρικής λαβής

- ◆ Βιδώστε την πλευρική λαβή (4) σε μία από τις οπές τοποθέτησης στο εργαλείο.

Προειδοποίηση! Χρησιμοποιείτε πάντοτε την πλευρική λαβή.

Τοποθέτηση και αφαίρεση δίσκων τροχίσματος (εικ. Β - D)

Χρησιμοποιείτε πάντα το σωστό τύπο δίσκου για την εφαρμογή σας. Χρησιμοποιείτε πάντα δίσκους κατάλληλης διαμέτρου και μεγέθους οπής άξονα (δείτε τα τεχνικά χαρακτηριστικά).

Τοποθέτηση

- ◆ Τοποθετήστε το προστατευτικό όπως περιγράφεται παραπάνω.
- ◆ Τοποθετήστε την εσωτερική φλάντζα (10) στον άξονα (5), όπως φαίνεται στην εικόνα (εικ. Β). Βεβαιωθείτε ότι η φλάντζα τοποθετείται σωστά στις επίπεδες πλευρές του άξονα.
- ◆ Τοποθετήστε το δίσκο (11) στον άξονα (5), όπως φαίνεται στην εικόνα (εικ. Β). Εάν ο δίσκος διαθέτει υπερυψωμένο κέντρο (12), βεβαιωθείτε ότι το υπερυψωμένο κέντρο είναι στραμμένο προς την εσωτερική φλάντζα.
- ◆ Βεβαιωθείτε ότι ο δίσκος τοποθετείται σωστά στην εσωτερική φλάντζα.
- ◆ Τοποθετήστε την εξωτερική φλάντζα (13) πάνω στον άξονα. Κατά την τοποθέτηση δίσκου τροχίσματος, το υπερυψωμένο κέντρο στην εξωτερική φλάντζα πρέπει να είναι στραμμένο προς το δίσκο (Α στην εικ. C). Κατά την τοποθέτηση δίσκου κοπής, το υπερυψωμένο κέντρο στην εξωτερική φλάντζα πρέπει να βλέπει αντίθετα προς το δίσκο (Β στην εικ. C).
- ◆ Κρατήστε την ασφάλεια άξονα (2) πιεσμένη και σφίξτε την εξωτερική φλάντζα χρησιμοποιώντας το κλειδί με τις δύο ακίδες (14) (εικ. D).

Αφαίρεση

- ◆ Κρατήστε την ασφάλεια άξονα (2) πιεσμένη και χαλαρώστε την εξωτερική φλάντζα (13) χρησιμοποιώντας το μηχανικό κλειδί δύο πείρων (14) (εικ. D).
- ◆ Αφαιρέστε την εξωτερική φλάντζα (13) και το δίσκο (11).

Τρόχισμα επιφάνειας με τροχούς τροχίσματος

- ◆ Αφήστε το εργαλείο να φθάσει στην πλήρη ταχύτητα πριν φέρετε το εργαλείο σε επαφή με την επιφάνεια εργασίας.
- ◆ Εφαρμόστε ελάχιστη πίεση στην επιφάνεια εργασίας, επιτρέποντας στο εργαλείο να λειτουργήσει σε υψηλή ταχύτητα. Η ταχύτητα τροχίσματος είναι μέγιστη όταν το εργαλείο λειτουργεί σε υψηλή ταχύτητα.
- ◆ Διατηρήστε μια γωνία 20° έως 30° μεταξύ του εργαλείου και της επιφάνειας εργασίας, όπως δείχνει η εικόνα F.
- ◆ Μετακινείτε συνεχώς το εργαλείο με κίνηση εμπρός-πίσω για να αποφύγετε την τοπική αφαίρεση υλικού σε μεγάλο βάθος από την επιφάνεια εργασίας.
- ◆ Απομακρύνετε το εργαλείο από την επιφάνεια εργασίας πριν το απενεργοποιήσετε. Επιτρέψτε στο εργαλείο να σταματήσει να περιστρέφεται πριν το αφήσετε.

Τρόχισμα ακμής με τροχούς τροχίσματος

Οι τροχοί που χρησιμοποιούνται για κοπή και τρόχισμα ακμής ενδέχεται να σπάσουν ή να προκαλέσουν ανάδραση αν λυγίσουν ή συστραφούν όταν το εργαλείο χρησιμοποιείται σε εργασία κοπής ή τροχίσματος σε βάθος. Οι εργασίες τροχίσματος ακμής/κοπής με τροχό τύπου 27 πρέπει να περιορίζονται σε ρηχή κοπή και δημιουργία εγκοπής βάθους μικρότερου από 13 mm όταν ο τροχός είναι νέος. Μειώστε το βάθος κοπής/εγκοπής σύμφωνα με τη μείωση της ακτίνας του τροχού, καθώς αυτός φθειρείται. Για περισσότερες πληροφορίες, ανατρέξτε στον Ήναικα αξεσουάρ τροχίσματος και κοπής στο τέλος αυτού του χειριδίου. Για τρόχισμα ακμής/κοπή με τροχό τύπου 41 απαιτείται χρήση προστατευτικού τύπου 41.

- ◆ Αφήστε το εργαλείο να φθάσει στην πλήρη ταχύτητα πριν φέρετε το εργαλείο σε επαφή με την επιφάνεια εργασίας.
- ◆ Εφαρμόστε ελάχιστη πίεση στην επιφάνεια εργασίας, επιτρέποντας στο εργαλείο να λειτουργήσει σε υψηλή ταχύτητα. Η ταχύτητα τροχίσματος είναι μέγιστη όταν το εργαλείο λειτουργεί σε υψηλή ταχύτητα.
- ◆ Τοποθετήστε το σώμα σας ώστε η ανοικτή κάτω πλευρά του τροχού να κοιτάζει μακριά σας.
- ◆ Αφού αρχίσει η κοπή και έχει επιτευχθεί μια εντομή στο τεμάχιο εργασίας, μην αλλάξετε τη γωνία της κοπής. Η αλλαγή της γωνίας θα προκαλέσει κάμψη του τροχού και μπορεί να προκαλέσει θραύση του. Οι τροχοί τροχίσματος ακμής δεν είναι σχεδιασμένοι για να αντέχουν τις πλευρικές πιέσεις που προκαλούνται από την κάμψη.
- ◆ Απομακρύνετε το εργαλείο από την επιφάνεια εργασίας πριν απενεργοποιήσετε το εργαλείο.

Επιτρέψτε στο εργαλείο να σταματήσει να περιστρέφεται πριν το αφήσετε.

Προειδοποίηση! Μη χρησιμοποιείτε τροχούς τροχίσματος ακμής/τροχούς κοπής για εφαρμογές τροχίσματος επιφανειών αν η ετικέτα του τροχού απαγορεύει τέτοια χρήση, επειδή οι τροχοί αυτοί δεν είναι σχεδιασμένοι για τις πλευρικές πιέσεις που δημιουργούνται κατά το τρόχισμα επιφανειών. Μπορεί να προκληθεί θραύση του τροχού και σοβαρός τραυματισμός.

Τοποθέτηση και αφαίρεση δίσκων γυαλοχαρτίσματος (εικ. D & E)

Για το γυαλοχαρτίσμα, απαιτείται ένα πέλμα στήριξης. Το πέλμα στήριξης είναι διαθέσιμο από τον τοπικό σας αντιπρόσωπο BLACK+DECKER σαν αξεσουάρ.

Τοποθέτηση

- ◆ Τοποθετήστε την εσωτερική φλάντζα (10) στον άξονα (5), όπως φαίνεται στην εικόνα (εικ. E). Βεβαιωθείτε ότι η φλάντζα τοποθετείται σωστά στις επίπεδες πλευρές του άξονα.
- ◆ Τοποθετήστε το πέλμα στήριξης (15) πάνω στον άξονα.
- ◆ Τοποθετήστε το δίσκο γυαλοχαρτίσματος (16) πάνω στο πέλμα στήριξης.
- ◆ Τοποθετήστε την εξωτερική φλάντζα (13) επάνω στον άξονα, με το υπερυψωμένο κέντρο να δείχνει αντίθετα από το δίσκο.
- ◆ Κρατήστε την ασφάλεια άξονα (2) πιεσμένη και σφίξτε την εξωτερική φλάντζα χρησιμοποιώντας το κλειδί με τις δύο ακίδες (14) (εικ. D). Βεβαιωθείτε ότι η εξωτερική φλάντζα έχει τοποθετηθεί σωστά και ότι ο δίσκος είναι καλά σφιγμένος.

Αφαίρεση

- ◆ Κρατήστε την ασφάλεια άξονα (2) πιεσμένη και χαλαρώστε την εξωτερική φλάντζα (13) χρησιμοποιώντας το μηχανικό κλειδί δύο πείρων (14) (εικ. D).
- ◆ Αφαιρέστε την εξωτερική φλάντζα (13), το δίσκο γυαλοχαρτίσματος (16) και το πέλμα στήριξης (15).

Φινίρισμα επιφανειών με δίσκους γυαλοχαρτίσματος

- ◆ Αφήστε το εργαλείο να φθάσει στην πλήρη ταχύτητα πριν φέρετε το εργαλείο σε επαφή με την επιφάνεια εργασίας.
- ◆ Εφαρμόστε ελάχιστη πίεση στην επιφάνεια εργασίας, επιτρέποντας στο εργαλείο να λειτουργήσει σε υψηλή ταχύτητα. Η ταχύτητα λείανσης είναι μέγιστη όταν το εργαλείο λειτουργεί σε υψηλή ταχύτητα.
- ◆ Διατηρήστε μια γωνία 5° έως 10° μεταξύ του εργαλείου και της επιφάνειας εργασίας, όπως δείχνει η εικόνα G.
- ◆ Μετακινείτε συνεχώς το εργαλείο με κίνηση εμπρός-πίσω για να αποφύγετε την τοπική αφαίρεση υλικού σε μεγάλο βάθος από την επιφάνεια εργασίας.

- ◆ Απομακρύνετε το εργαλείο από την επιφάνεια εργασίας στο απενεργοποίησέτε. Επιτρέψτε στο εργαλείο να σταματήσει να περιστρέφεται πριν το αφήσετε.

Χρήση πελμάτων στήριξης γυαλοχαρτίσματος

Πάντα επιλέγτε δίσκους γυαλοχαρτίσματος με κοκκώδες κατάλληλο για την εφαρμογή σας. Οι δίσκοι γυαλοχαρτίσματος διατίθενται σε διάφορα κοκκώδη. Οι αδρόι κόκκοι προσφέρουν μεγαλύτερους ρυθμούς αφαίρεσης υλικού και πιο τραχύ φινίρισμα. Οι λεπτοί κόκκοι προσφέρουν πιο αργούς ρυθμούς αφαίρεσης υλικού και πιο λείο φινίρισμα.

Ξεκινήστε με δίσκους αδρού κοκκώδους για γρήγορη, χονδρική αφαίρεση υλικού. Αλλάξτε σε χαρτί μεσαίου κοκκώδους και τελειώστε με δίσκο λεπτού κοκκώδους για βέλτιστο φινίρισμα.

- ◆ Αδρό = αριθμός 16 - 30.
- ◆ Μεσαίο = αριθμός 36 - 80.
- ◆ Λείο φινίρισμα = αριθμός 100 - 120.
- ◆ Πολύ λείο φινίρισμα = αριθμός 150 - 180.
- ◆ Αφήστε το εργαλείο να φθάσει στην πλήρη ταχύτητα πριν φέρετε το εργαλείο σε επαφή με την επιφάνεια εργασίας.
- ◆ Εφαρμόστε ελάχιστη πίεση στην επιφάνεια εργασίας, επιτρέποντας στο εργαλείο να λειτουργήσει σε υψηλή ταχύτητα. Η ταχύτητα λείανσης είναι μέγιστη όταν το εργαλείο λειτουργεί σε υψηλή ταχύτητα.
- ◆ Διατηρήστε μια γωνία 5° έως 10° μεταξύ του εργαλείου και της επιφάνειας εργασίας, όπως δείχνει η εικόνα H. Ο δίσκος λείανσης θα πρέπει να είναι σε επαφή με περίπου 25 mm της επιφάνειας εργασίας.
- ◆ Μετακινείτε συνεχώς το εργαλείο σε ευθεία γραμμή για να εμποδίσετε το κάψιμο και τη δημιουργία βαθιών κυκλικών χαραγών στην επιφάνεια εργασίας. Αν αφήνετε το εργαλείο να παραμείνει στην επιφάνεια εργασίας χωρίς να το μετακινείτε ή αν το μετακινείτε κυκλικά, προκαλείται κάψιμο και δημιουργία βαθιών κυκλικών χαραγών στην επιφάνεια εργασίας.
- ◆ Απομακρύνετε το εργαλείο από την επιφάνεια εργασίας στο απενεργοποίησέτε. Επιτρέψτε στο εργαλείο να σταματήσει να περιστρέφεται πριν το αφήσετε.

Προφυλάξεις για το γυαλοχαρτίσμα βαμμένων επιφανειών

- ◆ Το γυαλοχαρτίσμα επιφανειών που είναι βαμμένες με χρώματα βάσης μολύβδου **ΔΕΝ ΣΥΝΙΣΤΑΤΑΙ** λόγω της δυσκολίας ελέγχου της ρυπογόνου σκόνης. Ο μεγαλύτερος κίνδυνος δηλητηρίασης από μολύβδο είναι για παιδιά και εγκύους.
- ◆ Επειδή είναι δύσκολο να αναγνωριστεί χωρίς χημική ανάλυση αν ένα χρώμα περιέχει μολύβδο ή όχι, συνιστούμε τις εξής προφυλάξεις όταν λειαίνετε οποιαδήποτε χρωματισμένη επιφάνεια:

- ◆ Δεν θα πρέπει στην περιοχή εργασίας όπου γίνονται εργασίες λείανσης να εισέρχονται παιδιά ή έγκυες έως ότου ολοκληρωθεί όλη η διαδικασία καθαρισμού.
- ◆ Όλα τα άτομα που εισέρχονται στην περιοχή εργασίας θα πρέπει να φορούν μάσκα ή αναπνευστική συσκευή. Το φίλτρο θα πρέπει να αντικαθίσταται καθημερινά ή όταν αυτός που το φορά έχει δυσκολία στην αναπνοή.

Σημείωση: Θα πρέπει να χρησιμοποιούνται μόνο αυτές οι μάσκες κατά της σκόνης που είναι κατάλληλες για εργασία με χρώματα μολύβδου. Οι κανονικές μάσκες βαφής δεν προσφέρουν αυτή την προστασία. Απευθυνθείτε στο τοπικό σας κατάστημα υλικών για την κατάλληλη εγκεκριμένη μάσκα.

- ◆ ΜΗΝ ΤΡΩΤΕ, ΠΙΝΕΤΕ ή ΚΑΠΝΙΖΕΤΕ στο χώρο εργασίας, για να αποφύγετε την πρόσληψη μολυσμένων σωματιδίων χρώματος. Οι εργαζόμενοι θα πρέπει να πλένονται και να καθαρίζονται ΠΡΙΝ από κατανάλωση φαγητού ή ποτού ή πριν το κάπνισμα. Δεν θα πρέπει να αφήνονται στην περιοχή εργασίας είδη φαγητού, ποτού ή καπνίσματος, γιατί θα μπορούσαν να μολυνθούν με σκόνη.
- ◆ Το χρώμα θα πρέπει να αφαιρείται με τέτοιο τρόπο ώστε να ελαχιστοποιείται η ποσότητα της παραγόμενης σκόνης.
- ◆ Οι περιοχές όπου αφαιρείται χρώμα πρέπει να απομονώνονται με πλαστικά φύλλα πάχους 4 mil.
- ◆ Το γυαλοχάρτισμα πρέπει να γίνεται με τρόπο ώστε να μειώνεται η μεταφορά σκόνης χρώματος έξω από την περιοχή εργασίας.
- ◆ Όλες οι επιφάνειες στην περιοχή εργασίας θα πρέπει να σκουπίζονται με ηλεκτρική σκούπα και να καθαρίζονται καθημερινά σχολαστικά για τη διάρκεια των εργασιών λείανσης. Οι σακούλες ηλεκτρικής σκούπας θα πρέπει να αλλάζονται συχνά.
- ◆ Τα πλαστικά πετάσματα θα πρέπει να συγκεντρώνονται και να απορρίπτονται μαζί με όλη τη σκόνη, ροκανίδια ή άλλα υπολείμματα από τη διαδικασία αφαίρεσης. Θα πρέπει να τοποθετούνται σε σφραγισμένα δοχεία απορριμμάτων και να απορρίπτονται μέσω των κανονικών διαδικασιών συλλογής απορριμμάτων. Κατά τον καθαρισμό, τα παιδιά και οι έγκυες θα πρέπει να παραμένουν μακριά από την άμεση περιοχή εργασίας.
- ◆ Όλα τα παιχνίδια, τα πλενόμενα έπιπλα και τα σκεύη που χρησιμοποιούνται από παιδιά θα πρέπει να πλένονται σχολαστικά πριν χρησιμοποιηθούν πάλι.

Φοράτε γάντια εργασίας όταν χειρίζεστε συρματόβουρτσες και τροχούς σύρματος. Τα εξαρτήματα μπορεί να γίνουν αιχμηρά. Ο τροχός ή η βούρτσα δεν πρέπει να αγγίζει το προστατευτικό όταν τοποθετείται ή κατά τη χρήση. Θα μπορούσε να προκληθεί μη εντοπίσιμη ζημιά στο αξεσουάρ, προκαλώντας την αποκοπή συρμάτων από το αξεσουάρ, δηλαδή τον τροχό ή τη βούρτσα σχήματος κυπέλλου.

- ◆ Βιδώστε τον τροχό στον άξονα με το χέρι.
- ◆ Πατήστε το κουμπί ασφάλισης του άξονα και χρησιμοποιήστε ένα κλειδί πάνω στην πλήμνη του τροχού σύρματος ή της συρματόβουρτσας για να σφίξετε τον τροχό.
- ◆ Για να αφαιρέσετε τον τροχό, αντιστρέψτε την παραπάνω διαδικασία.

Προειδοποίηση! Αν δεν επιτευχθεί σωστή έδραση της πλήμνης του τροχού πριν την ενεργοποίηση του εργαλείου, μπορεί να προκληθεί ζημιά στο εργαλείο ή στον τροχό. Οι τροχοί σύρματος και οι συρματόβουρτσες μπορούν να χρησιμοποιηθούν για αφαίρεση σκουριάς, επικαθήσεων και χρωμάτων και για τη λείανση ανώμαλων επιφανειών.

Σημείωση: Οι ίδιες προφυλάξεις πρέπει να λαμβάνονται κατά τη χρήση συρματόβουρτσας σε χρωματισμένες επιφάνειες καθώς και κατά το γυαλοχάρτισμα βαφής.

- ◆ Αφήστε το εργαλείο να φθάσει στην πλήρη ταχύτητα πριν φέρετε το εργαλείο σε επαφή με την επιφάνεια εργασίας.
- ◆ Εφαρμόστε ελάχιστη πίεση στην επιφάνεια εργασίας, επιτρέποντας στο εργαλείο να λειτουργήσει σε υψηλή ταχύτητα. Η ταχύτητα αφαίρεσης υλικού είναι μέγιστη όταν το εργαλείο λειτουργεί σε υψηλή ταχύτητα.
- ◆ Διατηρείτε γωνία 5° έως 10° μεταξύ του εργαλείου και της επιφάνειας εργασίας για συρματόβουρτσες σχήματος κυπέλλου όπως δείχνει η εικόνα 1.
- ◆ Διατηρείτε επαφή ανάμεσα στο άκρο του τροχού και την επιφάνεια εργασίας όταν χρησιμοποιείτε τροχούς σύρματος.
- ◆ Μετακινείτε συνεχώς το εργαλείο με κίνηση εμπρός-πίσω για να αποφύγετε την τοπική αφαίρεση υλικού σε μεγάλο βάθος από την επιφάνεια εργασίας. Αν αφήνετε το εργαλείο να παραμείνει στην επιφάνεια εργασίας χωρίς να το μετακινείτε ή αν το μετακινείτε κυκλικά, προκαλείται κάψιμο και δημιουργία βαθιών κυκλικών χαραγών στην επιφάνεια εργασίας.
- ◆ Απομακρύνετε το εργαλείο από την επιφάνεια εργασίας πριν απενεργοποιήσετε το εργαλείο. Επιτρέψτε στο εργαλείο να σταματήσει να περιστρέφεται πριν το αφήσετε.

Προειδοποίηση! Χρησιμοποιείτε πρόσθετη προσοχή όταν εργάζεστε πάνω από μια ακμή, γιατί μπορείτε να αντιμετωπίσετε ξαφνική και απότομη κίνηση του εργαλείου τροχού.

Τοποθέτηση και χρήση συρματοβουρτσών και τροχών σύρματος

Οι συρματόβουρτσες σχήματος κυπέλλου ή οι τροχοί σύρματος βιδώνονται απευθείας πάνω στον άξονα του εργαλείου τροχού χωρίς τη χρήση φλαντζών. Όταν χρησιμοποιείτε συρματόβουρτσες και τροχούς σύρματος, απαιτείται προστατευτικό τύπου 27.

Τοποθέτηση και χρήση τροχών κοπής (τύπου 41)

Οι τροχοί κοπής περιλαμβάνουν διαμαντοτροχούς και λειαντικούς δίσκους. Διατίθενται λειαντικοί τροχοί κοπής για χρήση σε μέταλλο και ακυρόδεμα. Μπορούν επίσης να χρησιμοποιηθούν διαμαντολεπίδες για κοπή ακυροδέματος. **ΣΗΜΕΙΩΣΗ:** Όταν χρησιμοποιείτε τροχούς κοπής, απαιτείται κλειστό προστατευτικό τροχού κοπής 2 πλευρών, τύπου 41, το οποίο πωλείται ξεχωριστά. Η μη χρήση κατάλληλης φλάντζας και προστατευτικού μπορεί να έχει ως αποτέλεσμα τραυματισμό από θραύση του τροχού και από επαφή με τον τροχό. Για τους τροχούς κοπής πρέπει να χρησιμοποιούνται φλάντζα στήριξης αντίστοιχης διαμέτρου και παξιμάδι σύσφιξης με σπειρώμα (συμπεριλαμβάνονται με το εργαλείο).

Τοποθέτηση κλειστού προστατευτικού (τύπου 41) (Εικ. J, K)

- ◆ Ευθυγραμμίστε τις τρεις προεξοχές στο προστατευτικό με τις τρεις εσοχές στην πλήμνη. Έτσι οι ωτίδες θα ευθυγραμμιστούν με τις εγκοπές στο κάλυμμα θήκης γραναζιών όπως δείχνει η εικόνα J.
- ◆ Σπρώξτε το προστατευτικό προς τα κάτω έως ότου η ωτίδα του προστατευτικού να συμπλεχτεί μέσα στην αυλάκωση στην πλήμνη της θήκης γραναζιών.
- ◆ Περιστρέψτε το προστατευτικό δεξιόστροφα για να ασφαλίσει στη θέση του. Ο κορμός του προφυλακτήρα θα πρέπει να λάβει τέτοια θέση ανάμεσα στον άξονα και το χειριστή ώστε να παρέχει μέγιστη προστασία του χειριστή.
- ◆ Σφίξτε τη βίδα της ασφάλισης του προστατευτικού για να στερεώσετε το προστατευτικό πάνω στο κάλυμμα της θήκης γραναζιών. Θα πρέπει να μην μπορείτε να περιστρέψετε το προστατευτικό με το χέρι. Μη χρησιμοποιείτε το εργαλείο τροχού με λασκαρισμένο προστατευτικό.
- ◆ Για να αφαιρέσετε το προστατευτικό, λασκάρτε τη βίδα της ασφάλισης του προστατευτικού. Κατόπιν περιστρέψτε το προστατευτικό ώστε οι τρεις προεξοχές στο προστατευτικό να ευθυγραμμιστούν με τις τρεις εσοχές στην πλήμνη και τραβήξτε το προστατευτικό προς τα πάνω.

Τοποθέτηση τροχών κοπής

- ◆ Τοποθετήστε τη φλάντζα στήριξης χωρίς σπειρώμα στον άξονα, με το υπερυψωμένο τμήμα (οδηγό) να κοιτάζει προς τα πάνω. Το υπερυψωμένο τμήμα (οδηγός) πάνω στη φλάντζα στήριξης θα είναι προς τον τροχό όταν είναι εγκατεστημένος ο τροχός.
- ◆ Τοποθετήστε τον τροχό πάνω στη φλάντζα στήριξης, κεντράροντας τον τροχό πάνω στο υπερυψωμένο τμήμα (οδηγό).
- ◆ Τοποθετήστε το παξιμάδι σύσφιξης με σπειρώμα με το υπερυψωμένο τμήμα (οδηγό) να δείχνει αντίθετα από τον τροχό.

- ◆ Πατήστε το κουμπί ασφάλισης του άξονα και σφίξτε το παξιμάδι σύσφιξης με το παρεχόμενο κλειδί.
- ◆ Για να αφαιρέσετε τον τροχό, πατήστε το κουμπί ασφάλισης άξονα και λασκάρτε το παξιμάδι σύσφιξης με σπειρώμα χρησιμοποιώντας το παρεχόμενο κλειδί.

Προειδοποίηση! Μη χρησιμοποιείτε τροχούς τροχίσματος ακμής/τροχούς κοπής για εφαρμογές τροχίσματος επιφανειών, επειδή οι τροχοί αυτοί δεν είναι σχεδιασμένοι για τις πλευρικές πιέσεις που δημιουργούνται κατά το επιφανειακό τρόχισμα. Μπορεί να προκληθεί θραύση και τραυματισμός.

- ◆ Αφήστε το εργαλείο να φθάσει στην πλήρη ταχύτητα πριν το φέρετε σε επαφή με την επιφάνεια εργασίας.
- ◆ Εφαρμόστε ελάχιστη πίεση στην επιφάνεια εργασίας, επιτρέποντας στο εργαλείο να λειτουργήσει σε υψηλή ταχύτητα. Η ταχύτητα κοπής είναι μέγιστη όταν το εργαλείο λειτουργεί σε υψηλή ταχύτητα.
- ◆ Αφού αρχίσει η κοπή και έχει επιτευχθεί μια εντομή στο τεμάχιο εργασίας, μην αλλάξετε τη γωνία της κοπής. Η αλλαγή της γωνίας θα προκαλέσει κάμψη του τροχού και μπορεί να προκαλέσει θραύση του.
- ◆ Απομακρύνετε το εργαλείο από την επιφάνεια εργασίας πριν το απενεργοποιήσετε. Επιτρέψτε στο εργαλείο να σταματήσει να περιστρέφεται πριν το αφήσετε.

Χρήση

Προειδοποίηση! Αφήστε το εργαλείο να λειτουργήσει με το δικό του ρυθμό. Μην το υπερφορτώνετε.

- ◆ Καθοδηγείτε προσεκτικά το καλώδιο ώστε να αποφευχθεί το ενδεχόμενο να κοπεί κατά λάθος.
- ◆ Να είστε προετοιμασμένοι για μια ροή σπινθήρων όταν ο δίσκος τροχίσματος ή κοπής ακουμπήσει το υπό κατεργασία αντικείμενο.
- ◆ Πάντα τοποθετείτε το εργαλείο με τέτοιο τρόπο, ώστε το προστατευτικό να παρέχει τη βέλτιστη προστασία από το δίσκο τροχίσματος ή κοπής.

Ενεργοποίηση και απενεργοποίηση

- ◆ Για να ενεργοποιήσετε το εργαλείο, πατήστε το διακόπτη on/off (1).
- ◆ Για να απενεργοποιήσετε το εργαλείο, απελευθερώστε το διακόπτη on/off (1).

Προειδοποίηση! Μην απενεργοποιείτε το εργαλείο ενώ βρίσκεται υπό φορτίο.

Συμβουλές για βέλτιστη χρήση

- ◆ **Κρατήστε γερά το εργαλείο με το ένα χέρι γύρω από την πλευρική λαβή και το άλλο γύρω από την κύρια λαβή.**
- ◆ Κατά τη λείανση, πάντοτε διατηρείτε μια γωνία περ. 15° μεταξύ του δίσκου και της επιφάνειας του κατεργαζόμενου τεμαχίου.

Συντήρηση

Αυτή η συσκευή/το εργαλείο ρεύματος/μπαταρίας της BLACK+DECKER έχει σχεδιαστεί έτσι ώστε να λειτουργεί για μεγάλο χρονικό διάστημα με την ελάχιστη δυνατή συντήρηση. Η συνεχής ικανοποιητική λειτουργία εξαρτάται από τη σωστή φροντίδα και τον τακτικό καθαρισμό του εργαλείου.

Προειδοποίηση! Πριν πραγματοποιήσετε οποιαδήποτε συντήρηση σε ηλεκτρικά εργαλεία ρεύματος/μπαταρίας:

- ◆ Απενεργοποιήστε και αποσυνδέστε τη συσκευή/το εργαλείο από την πρίζα.
- ◆ Ή απενεργοποιήστε και αφαιρέστε την μπαταρία από τη συσκευή/εργαλείο, εάν η συσκευή/το εργαλείο διαθέτει ξεχωριστή μπαταρία.
- ◆ Ή χρησιμοποιήστε την μπαταρία μέχρι να αδειάσει εντελώς και στη συνέχεια απενεργοποιήστε.
- ◆ Αποσυνδέστε το φορτιστή από την πρίζα πριν τον καθαρίσετε. Ο φορτιστής σας δεν χρειάζεται καμία άλλη συντήρηση πέραν του τακτικού καθαρισμού.
- ◆ Να καθαρίζετε τακτικά τις εγκοπές εξαιρισμού της συσκευής/εργαλείου/φορτιστή με μια μαλακή βούρτσα ή με ένα στεγνό πανί.
- ◆ Να καθαρίζετε τακτικά το περίβλημα του μοτέρ με ένα ελαφρά υγρό πανί. Μη χρησιμοποιείτε καθαριστικά που χαράζουν ή περιέχουν διαλύτες.
- ◆ Να ανοίγετε τακτικά το τσοκ και να το χτυπάτε ελαφρά για να αφαιρείται η σκόνη από το εσωτερικό του (εφόσον έχει τοποθετηθεί).

Αντικατάσταση του φις ρευματοληψίας (Ην. Βασίλειο & Ιρλανδία μόνο)

Αν χρειάζεται να τοποθετηθεί νέο φις ρευματοληψίας:

- ◆ Απορρίψτε με ασφαλή τρόπο το παλιό φις.
- ◆ Συνδέστε τον καφέ αγωγό στον ηλεκτροφόρο ακροδέκτη (φάση) του νέου φις.
- ◆ Συνδέστε τον μπλε αγωγό στον ουδέτερο ακροδέκτη.

Προειδοποίηση! Δεν πρέπει να γίνει καμία σύνδεση στον ακροδέκτη γείωσης.

Ακολουθήστε τις οδηγίες συναρμολόγησης που συνοδεύουν τα καλής ποιότητας φις. Συνιστώμενη ασφάλεια: 13 Α.

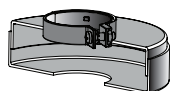
Αντιμετώπιση προβλημάτων

Πρόβλημα	Πιθανή αιτία	Πιθανή λύση
Η μονάδα δεν τίθεται σε λειτουργία.	Το καλώδιο δεν έχει συνδεθεί στην πρίζα. Ζημιά στο καλώδιο ή στο διακόπτη.	Συνδέστε το εργαλείο σε πρίζα που λειτουργεί. Απευθυνθείτε σε ένα κέντρο σέρβις της BLACK+DECKER για να αντικαταστήσει το καλώδιο ή το διακόπτη.

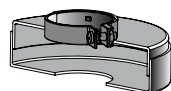
Πίνακας αξεσουάρ τροχίσματος και κοπής

Τροχοί τροχίσματος	
 Προστατευτικό τύπου 27	 Προστατευτικό τύπου 27
 Φλάντζα βάσης χωρίς σπείρωμα	
 Τροχός τύπου 27 με βυθισμένο κέντρο	 Τροχός τύπου 27 με πλήμνη
 Παξιμάδι σύσφιξης με σπείρωμα	
Δίσκοι γυαλοχαρτίσματος με πτερύγια	
 Προστατευτικό τύπου 27	 Προστατευτικό τύπου 27
	 Φλάντζα βάσης χωρίς σπείρωμα
 Δίσκος γυαλοχαρτίσματος με πτερύγια με πλήμνη	 Δίσκος γυαλοχαρτίσματος με πτερύγια χωρίς πλήμνη
	 Παξιμάδι σύσφιξης με σπείρωμα

Τροχί κοπής τύπου 41



Προστατευτικό τύπου 41



Προστατευτικό τύπου 41



Φλάντζα στήριξης



Φλάντζα στήριξης



Λειαντικός τροχός κοπής



Αδαμαντοφόρος τροχός κοπής



Παξιμάδι σύσφιξης

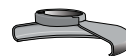


Παξιμάδι σύσφιξης

Συρμάτινοι τροχί



Προστατευτικό τύπου 27



Προστατευτικό τύπου 27



Συρματόβουρτσα 3 ιντσών σχήματος κυπέλλου



Συρματόβουρτσα 4 ιντσών σχήματος κυπέλλου

Δίσκοι γυαλοχαρτίσματος



Λαστιχένιο πέλημα στήριξης



Δίσκος γυαλοχαρτίσματος



Παξιμάδι σύσφιξης με σπειρώμα

Προστασία του περιβάλλοντος



Χωριστή συλλογή. Τα προϊόντα και οι μπαταρίες που επισημαίνονται με αυτό το σύμβολο δεν πρέπει να απορρίπτονται μαζί με τα κανονικά οικιακά απορρίμματα.

Τα προϊόντα και οι μπαταρίες περιέχουν υλικά που μπορούν να ανακτηθούν ή να ανακυκλωθούν ώστε να μειωθούν οι ανάγκες για πρώτες ύλες.

Παρακαλούμε να ανακυκλώνετε τα ηλεκτρικά προϊόντα και τις μπαταρίες σύμφωνα με τους τοπικούς κανονισμούς.

Περισσότερες πληροφορίες διατίθενται στον ιστότοπο www.2helpU.com

Τεχνικά δεδομένα

		BEG010 Τύπος 1
Τάση εισόδου	V_{AC}	230
Κατανάλωση ισχύος	W	710
Ονομαστική ταχύτητα	min^{-1}	12000
Οπή δίσκου	mm	22

Μέγ. πάχος δίσκου

Δίσκοι λείανσης	mm	6
Δίσκοι κοπής	mm	3.5
Μέγεθος άξονα		M14
Βάρος	kg	1.7

Στάθμη ηχητικής πίεσης σύμφωνα με το EN 60745:

Ηχητική πίεση (LpA) 89 dB(A), αβεβαιότητα (K) 3 dB(A)

Ηχητική ισχύς (L_{WA}) 100 dB(A), αβεβαιότητα (K) 3 dB(A)

Οι συνολικές τιμές κραδασμών (διανυσματικό άθροισμα τριών αξόνων) κατά EN 60745:

Λείανση επιφάνειας ($a_{h,0}$) 5,1 m/s^2 , αβεβαιότητα (K) 1,5 m/s^2

Αποκοπή ($a_{h,CO}$) 4,8 m/s^2 , αβεβαιότητα (K) 1,5 m/s^2

Λείανση με δίσκο ($a_{h,DS}$) 6,6 m/s^2 , αβεβαιότητα (K) 1,5 m/s^2

Δήλωση συμμόρφωσης EK

ΟΔΗΓΙΑ ΠΕΡΙ ΜΗΧΑΝΗΜΑΤΩΝ



BEG010 Γωνιακός τροχός

Η Black & Decker δηλώνει ότι τα προϊόντα αυτά που περιγράφονται στα "τεχνικά χαρακτηριστικά" συμμορφώνονται με τα ακόλουθα:

2006/42/EK, EN 60745-1:2009 + A11:2010;

EN 60745-2-3:2011 + A2:2013 + A11:2014
+ A12:2014 + A13:2015

Αυτά τα προϊόντα συμμορφώνονται και με την Οδηγία
2014/30/ΕΕ και 2011/65/ΕΕ.

Για περισσότερες πληροφορίες, επικοινωνήστε με την Black
& Decker στην παρακάτω διεύθυνση ή ανατρέξτε στο πίσω
μέρος του εγχειριδίου.

Ο κάτωθι υπογεγραμμένος είναι υπεύθυνος για την κατάρτιση
του τεχνικού φακέλου και δηλώνει τα παρόντα εκ μέρους της
Black & Decker.



R. Laverick
Διευθυντής Μηχανολογίας
Black & Decker Europe, 210 Bath Road, Slough,
Berkshire, SL1 3YD
United Kingdom
27/09/2017

Εγγύηση

Η Black & Decker είναι σίγουρη για την ποιότητα των
προϊόντων της και προσφέρει στους καταναλωτές εγγύηση 24
μηνών από την ημερομηνία
αγοράς. Αυτή η εγγύηση συμπληρώνει και με κανένα τρόπο
δεν παραβάλλει τα νόμιμα δικαιώματά σας. Η εγγύηση
ισχύει εντός της επικράτειας των χωρών μελών της
Ευρωπαϊκής Ένωσης
και της Ευρωπαϊκής Ζώνης Ελεύθερων Συναλλαγών.

Για να υποβάλετε αξίωση βάσει της εγγύησης, η αξίωση θα
πρέπει να είναι σύμφωνη με τους Όρους και προϋποθέσεις
της Black & Decker και θα χρειαστεί να υποβάλετε απόδειξη
αγοράς στον πωλητή ή σε εξουσιοδοτημένο αντιπρόσωπο
επισκευών. Μπορείτε να αποκτήσετε τους Όρους και
προϋποθέσεις της εγγύησης 2 ετών της Black & Decker και
να μάθετε την τοποθεσία του πλησιέστερου εξουσιοδοτημένου
αντιπροσώπου επισκευών στο Internet στο www.2helpU.com,
ή επικοινωνώντας με το τοπικό σας γραφείο Black & Decker
στη διεύθυνση που υποδεικνύεται στο παρόν εγχειρίδιο.

Παρακαλούμε επισκεφθείτε την ιστοσελίδα μας www.blackanddecker.gr για να καταχωρίσετε
το νέο σας προϊόν Black & Decker και για να ενημερώνεστε
για τα νέα προϊόντα και τις ειδικές προσφορές.

België/Belgique/Luxembourg www.blackanddecker.be enduser.be@sbdinc.com	Stanley Black & Decker Belgium BVBA Egide Walschaertsstraat 16 2800 Mechelen	Tel. NL +32 15 47 37 65 Tel. FR +32 15 47 37 66 Fax. +32 15 47 37 99
Danmark	Black & Decker Roskildevej 22 2620 Albertslund	kundeservice.dk@sbdinc.com www.blackanddecker.dk
Deutschland www.blackanddecker.de infobfge@sdbinc.com	Stanley Black & Decker Deutschland GmbH Black & Decker Str. 40, D - 65510 Idstein	Tel. 06126 21-0 Fax 06126 21-2980
Ελλάδα www.blackanddecker.gr greece.service@sbdinc.com	Stanley Black & Decker (ΕΛΛΑΣ) Ε.Π.Ε ΓΡΑΦΕΙΑ: Σπύριδωνος 7 & Βουλιαγμένης 166 74 Γλυφάδα - Αθήνα	Τηλ. 210-8981616 Φαξ 210-8983570
SERVICE:	Ημερος Τόπος 2 -Χάνι Αδάμ 193 00 Ασπρόπυργος - Αθήνα	Τηλ. Service 210-8985208 Φαξ 210-5597598
España www.blackanddecker.es respuesta.posventa@sbdinc.com	Stanley Black & Decker Ibérica, S.C.A. Parc de Negocis "Mas Blau" Edificio Muntadas, c/Bergadá, 1, Of. A6 08820 El Prat de Llobregat (Barcelona)	Tel. 934 797 400 Fax 934 797 419
France www.blackanddecker.fr	Black & Decker (France) S.A.S. 5 allée des Hêtres B.P. 30084 69579 Limonest Cédex	Tel. 04 72 20 39 20 Fax 04 72 20 39 00
Helvetia www.blackanddecker.ch service@rofoag.ch	ROFO AG Gewerbezone Seeblick 3213 Kleinbösingen	Tel. 026-6749393 Fax 026-6749394
Italia www.blackanddecker.it service.italia@sbdinc.com	Stanley Black & Decker Italia Via Energypark 6 20871 Vimercate (MB)	Tel. 039-9590200 Fax 039-9590313 Numero verde 800-213935
Nederland www.blackanddecker.nl enduser.nl@sbdinc.com	Stanley Black & Decker Netherlands BV Holtum Noordweg 35, 6121 RE BORN Postbus 83, 6120 AB BORN	Tel. +31 164 283 065 Fax +31 164 283 200
Norge	Black & Decker Postboks 4613, Nydalen 0405 Oslo	kundeservice.no@sbdinc.com www.blackanddecker.no
Österreich www.blackanddecker.at service.austria@sbdinc.com	Stanley Black & Decker Austria GmbH Oberlaaerstraße 248, A-1230 Wien	Tel. 01 66116-0 Fax 01 66116-614
Portugal www.blackanddecker.pt resposta.posvenda@sbdinc.com	Black & Decker Limited SARL Quinta da Fonte - Edifício Q55 D, Diniz Rua dos Malhães, 2 e 2A - Piso 2 Esquerdo 2770 - 071 Paço de Arcos	Tel. 214667500 Fax 214667580
Suomi	Black & Decker PL47 00521, Helsinki	asiakaspalvelu.fi@sbdinc.com www.blackanddecker.fi
Sverige	Black & Decker AB Box 94, 431 22 Mölndal	kundservice.se@sbdinc.com www.blackanddecker.se
Türkiye www.blackanddecker.com.tr	KALE Hırdavat ve Makina A.Ş. Defferdar Mah. Savaklar Cad. No:15 Edimekapı / Eyüp / İstanbul 34050	Tel. 0212 533 52 55 Fax. 0212 533 10 05
United Kingdom & Republic Of Ireland www.blackanddecker.co.uk emeaservice@sbdinc.com	Black & Decker 210 Bath Road Slough, Berkshire SL1 3YD	Tel. 01753 511234 Fax 01753 512365
Middle East & Africa www.blackanddecker.ae service.mea@sbdinc.com	Black & Decker P.O.Box - 17164 Jebel Ali Free Zone (South), Dubai, UAE	Tel. +971 4 8863030 Fax +971 4 8863333