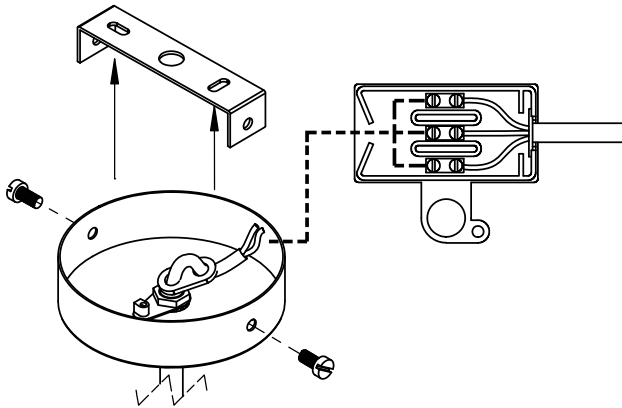


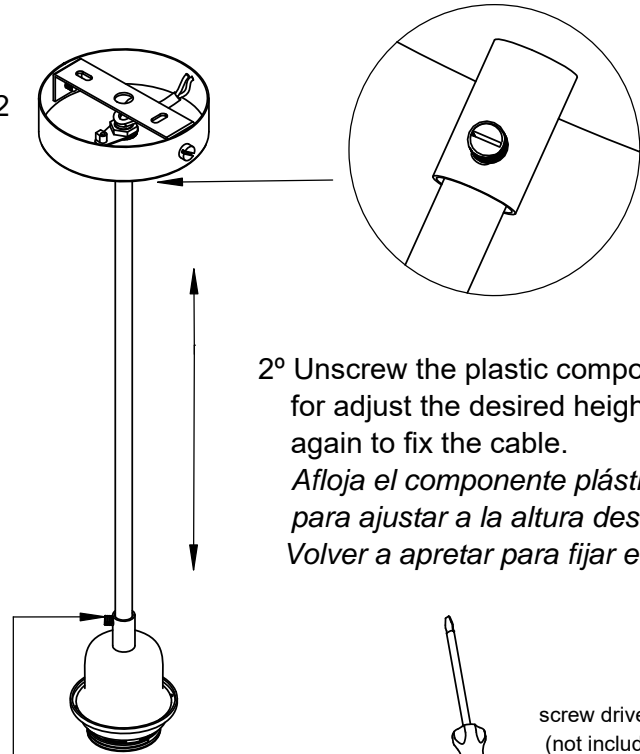
**INSTRUCTIONS FOR BOREAL**  
**INSTRUCCIONES PARA BOREAL**

Fig. 1



1° Screw it in the ceiling and connect it  
*Atornilla a techo y conectalo*

Fig. 2



2° Unscrew the plastic component for adjust the desired height. Screw again to fix the cable.  
*Afloja el componente plástico para ajustar a la altura deseada. Volver a apretar para fijar el cable*

\*This part must not manipulate  
*Esta parte no debe manipularse.*



screw driver/destornillador  
 (not included/no incluida)

Fig. 3

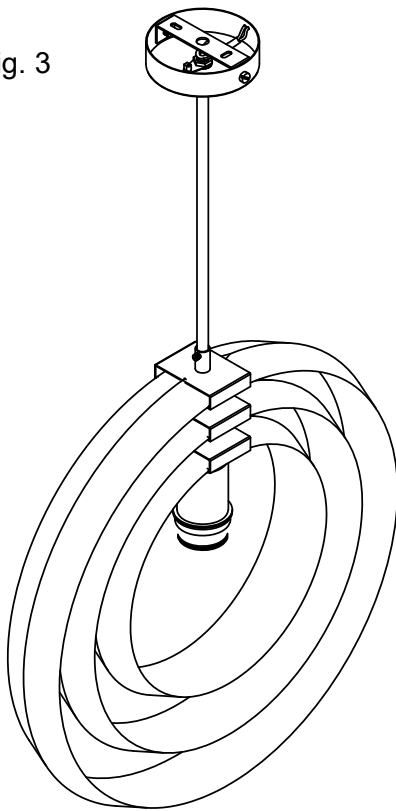


Fig. 4

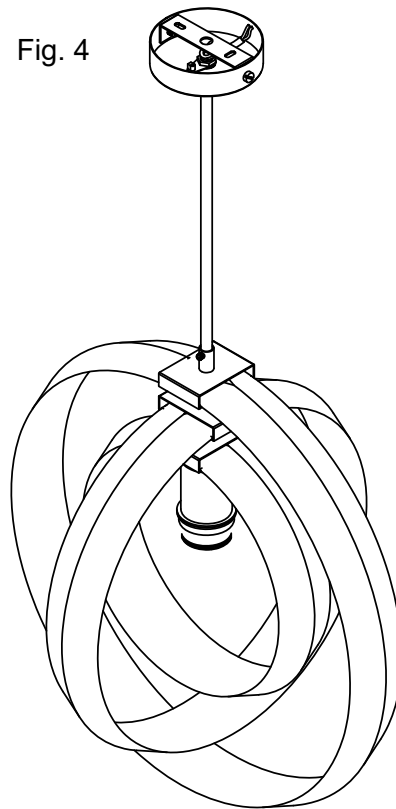
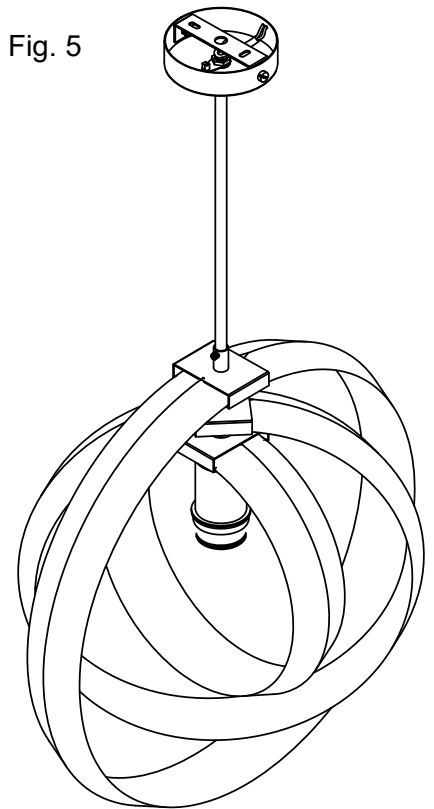


Fig. 5



3° Choose your own style/*Elige tu propio estilo*