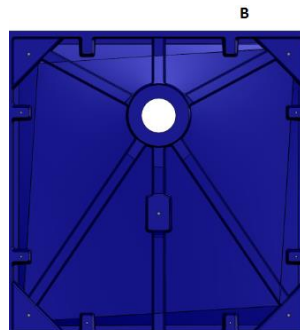
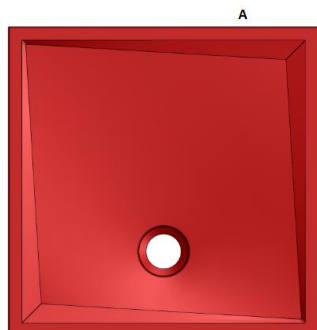


STANDARD

PRODUCT INSPECTION ZONE



PRODUCT COMPLIANCE CRITERIA – RELEASE FOR SHIPMENT

DESCRIPTION		TOLERANCES – A ZONE	TOLERANCES – B ZONE, REMIX 2	TOLERANCES – B ZONE, REMIX 1 EASY	METHOD OF MEASURE	
SURFACE IMPERFECTION	MECHANICAL DAMAGE	<ul style="list-style-type: none"> Scratches, crazing chips cracks 	Unacceptable	Acceptable	Acceptable	Visual, from 100 cm
	SURFACE DEFORMATION no larger than 5 mm	<ul style="list-style-type: none"> oval pulling no larger than 5 mm 	No more than 3 on the 10x10cm ²	Acceptable	Acceptable	Visual, from 100 cm, measuring equipment
	GELCOAT SURFACE	<ul style="list-style-type: none"> cracks in paint 	Unacceptable	N/A no paint on side B	N/A no paint on side B	Visual, from 100 cm
		<ul style="list-style-type: none"> air bubbles 	Unacceptable	Acceptable	Acceptable	Visual, from 100 cm
		<ul style="list-style-type: none"> incorrect painting: <ul style="list-style-type: none"> - lack of full coverage with gelcoat - inside material shine through gel coat 	Unacceptable	N/A no paint on side B	N/A no paint on side B	Visual, from 100 cm
<ul style="list-style-type: none"> stains discolorations 		Unacceptable	Acceptable	Acceptable	Visual, from 100 cm	
SHAPE	DEFLECTION OF PRODUCT	<ul style="list-style-type: none"> bending, twist 	$<1200 \pm 2 \text{ mm}$ $>1200 \pm 3 \text{ mm}$		Measuring equipment	
INCOMPATIBILITY with specification (shower trays)	TYPE OF PRODUCT (NOT COMPATIBLE WITH THE LABELING)		Unacceptable		Visual	
	PRODUCT COLOUR		Unacceptable		Visual	
	INCORRECT HOLES, LACK OF HOLES		Unacceptable		Visual	
	DIMENSIONS	<ul style="list-style-type: none"> Length 	0/+5 mm		Measuring equipment	
		<ul style="list-style-type: none"> Height 	+2/-1 mm			
		<ul style="list-style-type: none"> Width 	0/+5 mm			
<ul style="list-style-type: none"> Thickness 		+2/-1 mm				
<ul style="list-style-type: none"> Holes location 		+/- 2 mm				
	<ul style="list-style-type: none"> Holes diameter 	+/- 1 mm				

PACKAGING COMPLIANCE CRITERIA - RELEASE FOR SHIPMENT

PACKAGING MECHANICAL DAMAGES	RAPTURED PACKAGING	<ul style="list-style-type: none"> damaged edges dents tear 	Unacceptable	Visual
PACKAGING INCOMPATIBILITY	MISSING LABELING on the box	<ul style="list-style-type: none"> 2 x Sensea labels placed on the box 1 x manufacturer box label placed on the box 	Unacceptable	Visual
	ILLEGIBLE LABELING		Unacceptable	Visual
	LABALING IMPROPERLY PUT, MOVED AGAINST FROM STANDARD POSITION, BUT NOT MISSING		Acceptable IF legible	Visual
	WRONG SIZE OF THE BOX		Unacceptable	Visual
	ELEMENTS MSISING (inside the box)	<ul style="list-style-type: none"> accessory – steel grid (Remix) 	Unacceptable. *Grid to be packed in contact with the bottom side of the shower tray. Never with top side.	Visual
<ul style="list-style-type: none"> instruction for user 		Unacceptable	Visual	
<ul style="list-style-type: none"> fleece/paper (Remix) foil (Easy) 		Unacceptable	Visual	
<ul style="list-style-type: none"> cardboard fillers 		Unacceptable	Visual	

PACKAGING VISUALISATION

EASY



Each box contains:
Shower tray (bottom site down)
3 cardboard fillers
Instruction



Each box is assembled
with 4 PET bands

REMIX 1



Each box contains:
Shower tray (bottom site up)
covered with an interfacing and paper.
3 cardboard fillers
Instruction



Each box is assembled
with 4 PET bands

REMIX 2



Each box contains:
Shower tray (bottom site up) covered
with an intersection and paper
3 cardboard fillers
Instruction



Each box is assembled
with 4 PET bands

LABELING

Marmite product labeling

Easy, Remix 1



Remix 2



product labeling

<p>LABEL NO.</p> <p>1802052044</p> <p>ARTICLE NO.</p> <p>607343163036</p> <p>MODEL</p> <p>REMIX 1</p>	<p>DIMENSION</p> <p>160x90</p> <p>SHAPE</p> <p>RECT</p> <p>MOULD NO.</p> <p>FZ343167001</p> <p>DATE: 1841</p>	<p>CUSTOMER NO.</p> <p>81989231</p> <p>COLOUR</p> <p>BLACK/NOIR</p> <p><small>Air bubbles on the bottom side are no reason for claim.</small></p>	<p>MAX WATER TEMP 75°C</p> <p>CE</p> <p><small>ADEO Services 125 Rue Saint-Carnot - CS80001 50700 REMICHAUX - FRANCE 18</small></p> <p><small>Identification type code: REMIX FHS EN 14527:2006 - A1:2010 CL1 - CL2 CA - DA DnP N°: NZ7648 - 0003 - ADEO - 18</small></p> <p><small>Showtray for personal hygiene and domestic purposes</small></p>
	<p><small>Air bubbles on the bottom side are no reason for claim.</small></p>		

Sensea box labeling



Marmite box labeling



LABEL NO.	
ARTICLE NO.	607343163033
MODEL	REMIX 1
DIMENSION	1600x900
COLOUR	TOP – SOLID WHITE
DISPOSAL	RECT
DATE	181005
CUST. ARTICLE NO.	81989217
EAN CODE	

additional box labeling - Brazil (example)

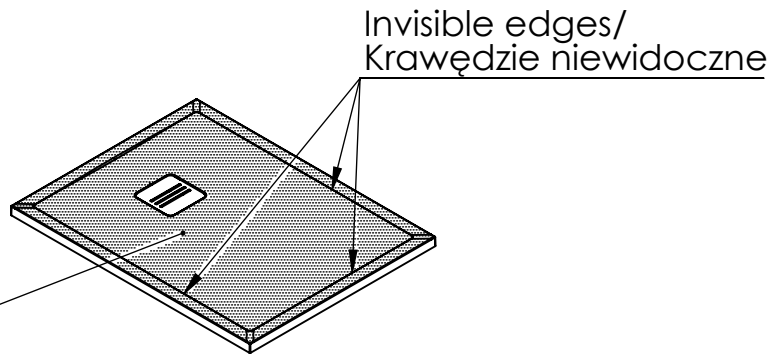
EAN:	3276000464921
Descricao:	BANDEJA BOX PARA BANHEIRO TRAYS REMIX RESIN GREY MAT
Contem:	1 unidade – 80cm x 1,40m
Origem:	Polonia
Composicao do produto:	Dolomita e aco inoxidavel
Prazo de validade:	Indeterminado (produto nao perecivel)
Lote:	1801274609
<small>Importado e distribuido por LEROY MERLIN CIA BRASILEIRA DE BRICOLAGEM – CNPJ 01.438.784/0001-05 Rua Domingas Galleteri Blotta , no 315 Sao Paulo/SP – CEP: 04455-360 CALM (Central de Atendimento Leroy Merlin): Capitais 4020-5376 – Demais Regioes 0800-0205376</small>	

additional pallet labeling - Brazil (example)

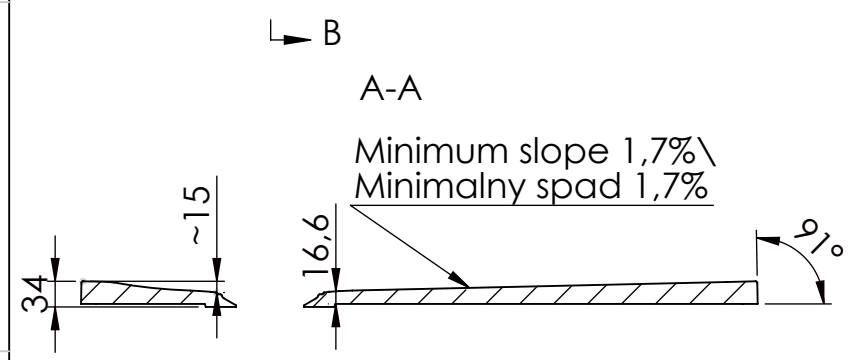
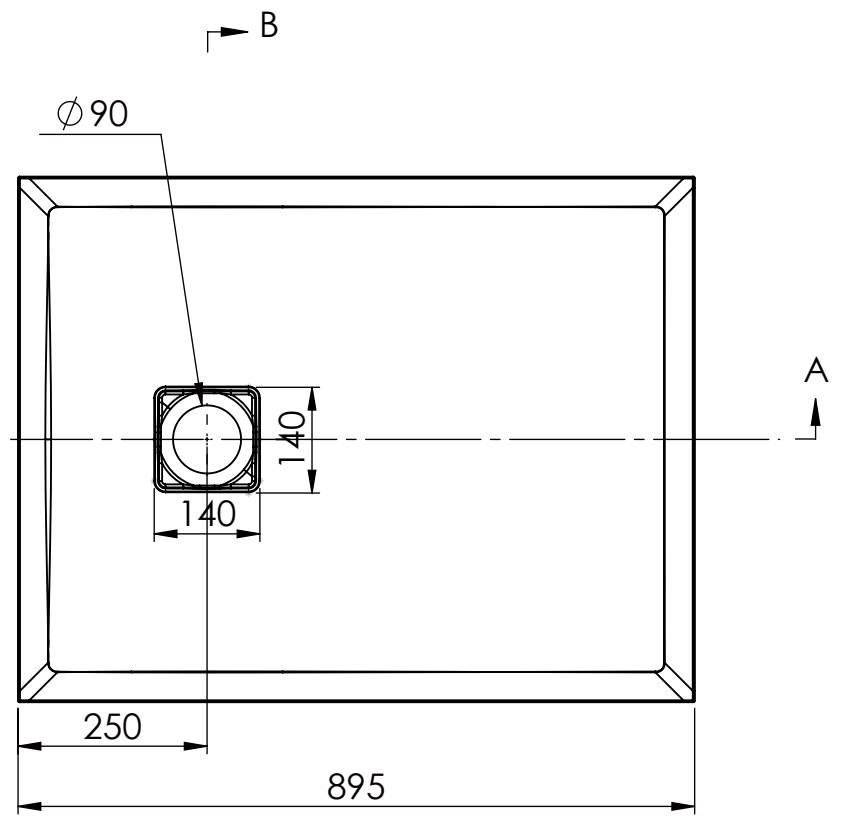
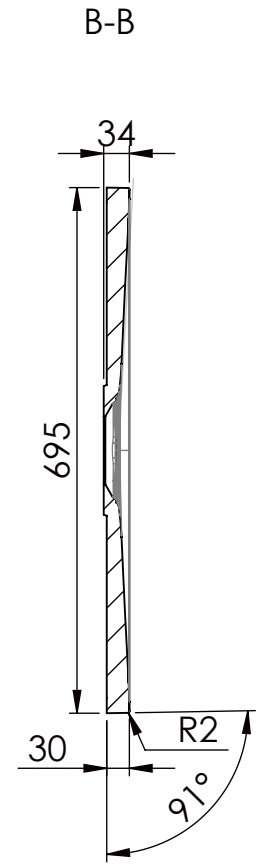
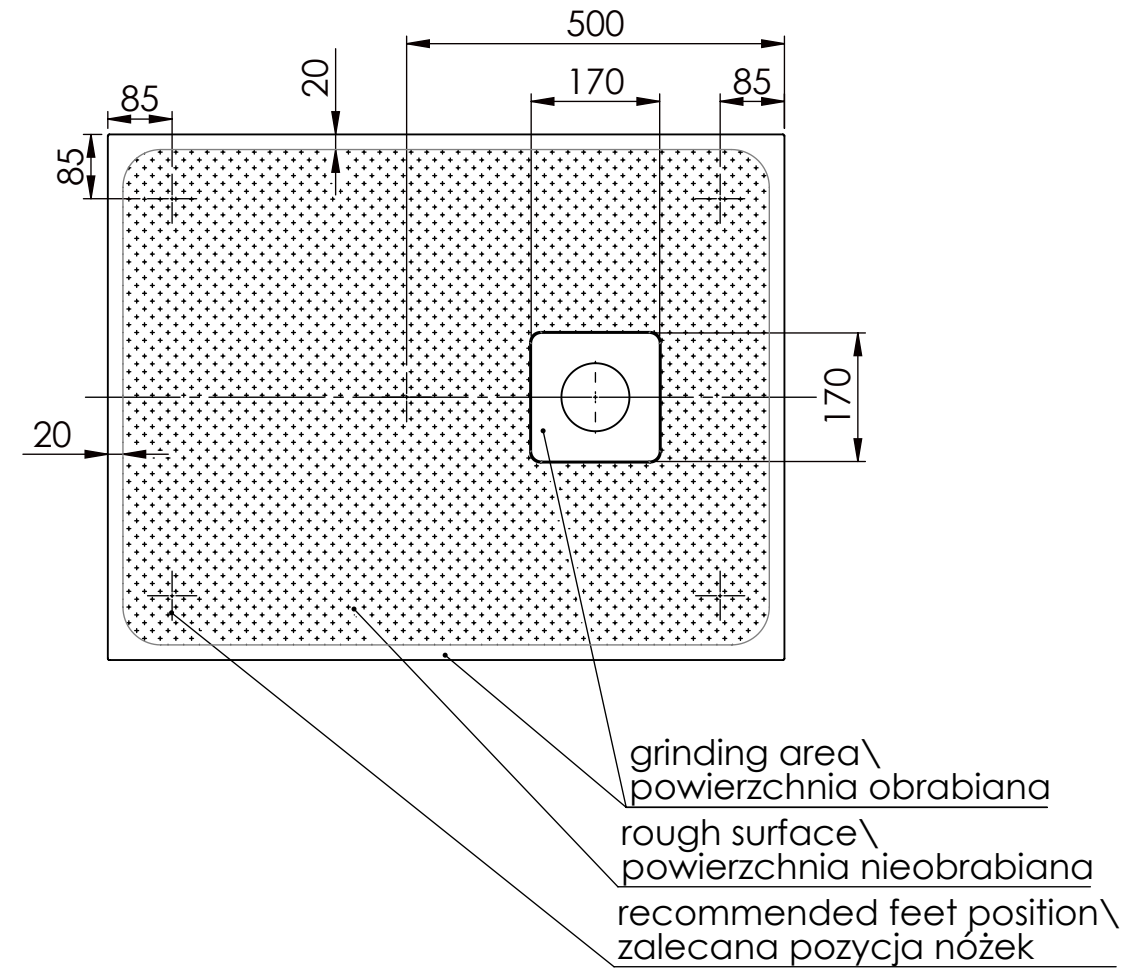
Dest : BRASIL	NW : 849 kg
Made in: POLAND	GW : 942 kg
Manu. Code: 207285	PALET Size : 154x90x122cm
Unit Sale : 3 2760004 6492 1	<div style="background-color: orange; padding: 5px;"> <small>Importado por: LEROY MERLIN CIA BRASILEIRA DE BRICOLAGEM NPJ 01.438.784/00001-05</small> </div>
Bandeja box para banheiro trays REMIX RESIN GRAY MAT 140x80	
Code Atlas : 844260	<div style="border: 1px solid black; padding: 2px;"> 13 pieces </div>
Supplier ref 607342143067	
PALLET : Number 00/00	

UWAGI/KOMENTARZE

Rev	Design Change Note	Author	Date
A	Internal validation	RB	2018-06-12
001	First issue - proposal	RB	2018-06-15



Bottom view - feet position/
Widok z dołu - rozstaw stópek



Notes/Uwagi:

1. Steel plate - see drawing ZP180305G0140/Metalowa przykrywka - patrz rysunek ZP180305G0140

Tolerance length/width	+5/0 mm	Drawn by	Created Date	Checked by	Art. Name:					
Tolerance height	+2/-2 mm	Rafal B	2018-06-12	Zbigniew P	Art. No:					
Tolerance plane bending	<1200 mm +2/-2 mm ≥1200 mm +3/-3 mm	Project status	Client	Approved		LEROY MERLIN	Customer ID:	XXXX		
Tolerance thickness	+2/-2 mm			Material volume[mm³]	Overflow	Taphole	Main dimensions L x W / H [mm]	Drain		
Tolerance grinding	+2/0 mm			15629166	No	0	900 x 700 / 34	Cover		
Tolerance feet location	+7/-7 mm			Surface area[mm²]	Sheet Size	Scale			Current revision	
Tolerance holes location	+2/-2 mm			1327561	A3	1:10			001	
Tolerance holes diameter	+1/-1 mm									

Approved 19/06/2018

This document must not be copied without our written permission, and the contents thereof must not be imparted to a third party nor be used for any unauthorized purpose. Contravention will be prosecuted.

A

A

ACCESORIE LIST			
ART NO.	NAME	QUANTITY	NOTE
ZP180305G0140	Cover	1	
xxxxx	Instruction	1	

B

B

C

C

D

D



E

E

F

F

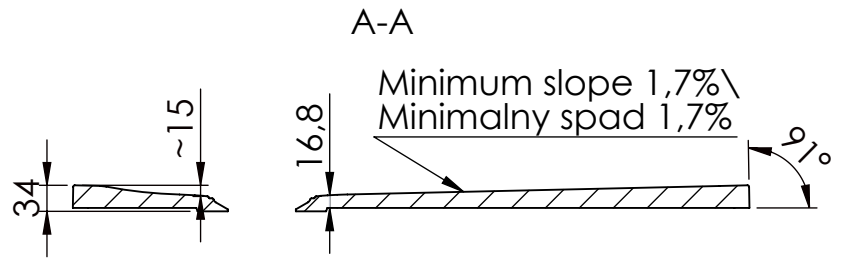
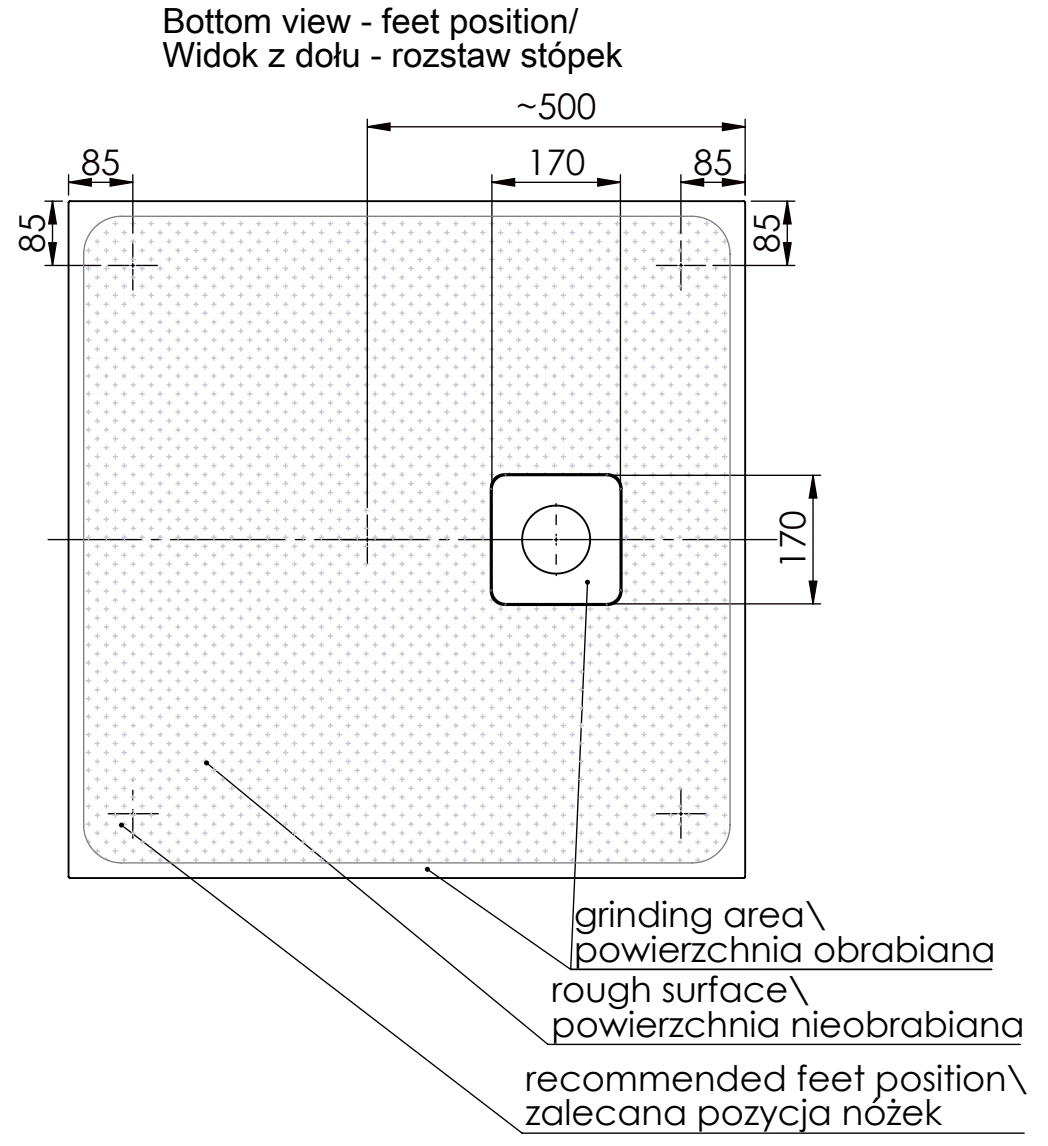
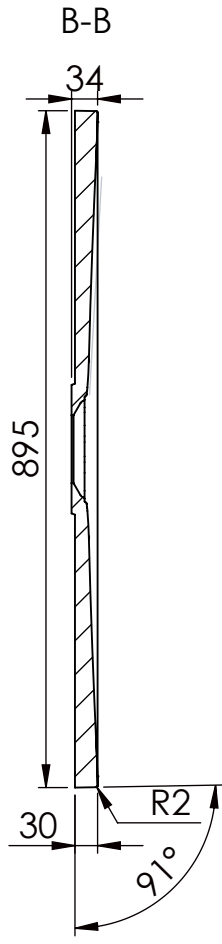
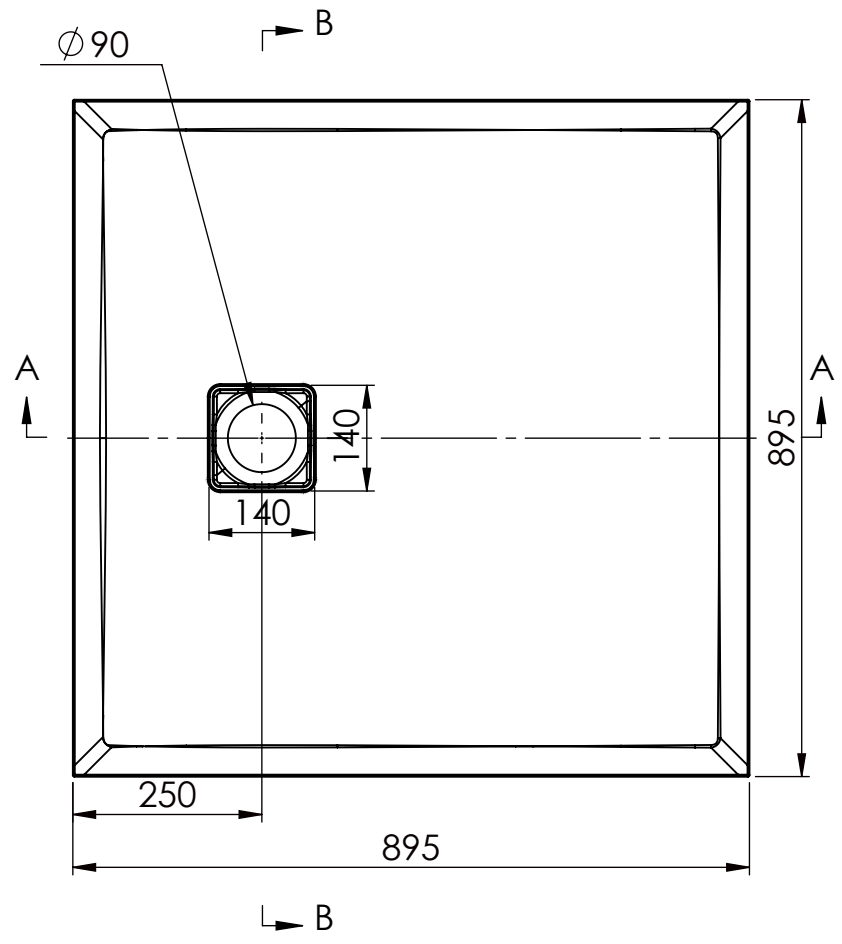
This document must not be copied without our written permission, and the contents thereof must not be imparted to a third party nor be used for any unauthorized purpose. Contravention will be prosecuted.

Drawn by	Created Date	Checked by Zbigniew P	Art. Name: REMIX 900x700 OM			
			Art. No: RB180612B09007			
			Project status Approved	Sheet Size A3	Scale 1:5	

Rev	Design Change Note	Author	Date
A	Internal validation	RB	2018-06-12
001	First issue - proposal	RB	2018-06-12

Invisible edges/
Krawędzie niewidoczne

Anty-slip structure MS015/
Struktura MS015



Approved Mabe
19/06/2018

Notes/Uwagi:
1. Steel plate - see drawing ZP180305G0140/Metalowa przykrywka - patrz rysunek ZP180305G0140

Tolerance length/width	+5/0 mm	Drawn by	Created Date	Checked by	Art. Name: REMIX 900x900 OM
Tolerance height	+2/-2 mm	Rafal B	2018-06-12	Zbigniew P	Art. No: RB180612B09009
Tolerance plane bending	<1200 mm +2/-2 mm ≥1200 mm +3/-3 mm	Project status	Client	Mould No: XXXX	
Tolerance thickness	+2/-2 mm	Approved	LEROY MERLIN	Customer ID: XXXX	
Tolerance grinding	+2/0 mm			Material volume [mm³]	Overflow
Tolerance feet location	+7/-7 mm			19991156	No
Tolerance holes location	+2/-2 mm	Surface area [mm²]		Sheet Size	Scale
Tolerance holes diameter	+1/-1 mm	1697378		A3	1:10
				Main dimensions L x W / H [mm]	Drain
				900 x 900 / 34	Cover
				Current revision	
				001	

This document must not be copied without our written permission, and the contents thereof must not be imparted to a third party nor be used for any unauthorized purpose. Contravention will be prosecuted.

A

A

ACCESORIEST LIST			
ART NO.	NAME	QUANTITY	NOTE
ZP180305G0140	Cover	1	
xxxxx	Instruction	1	

B

B

C

C

D

D



E

E

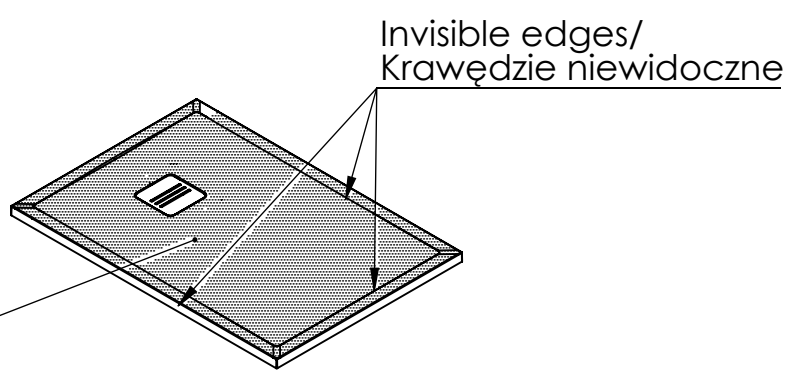
F

F

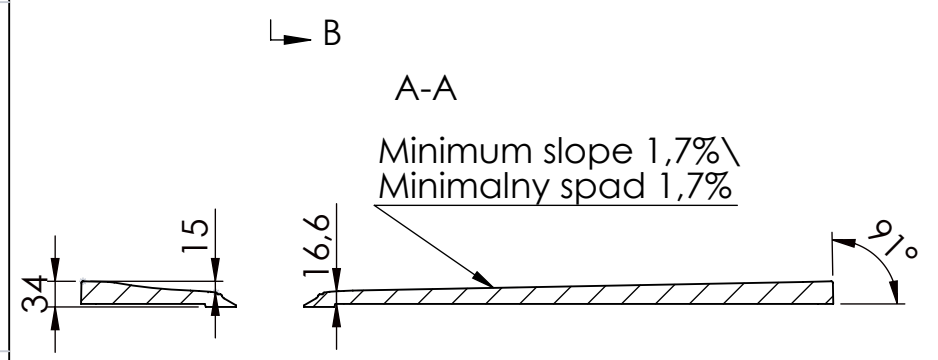
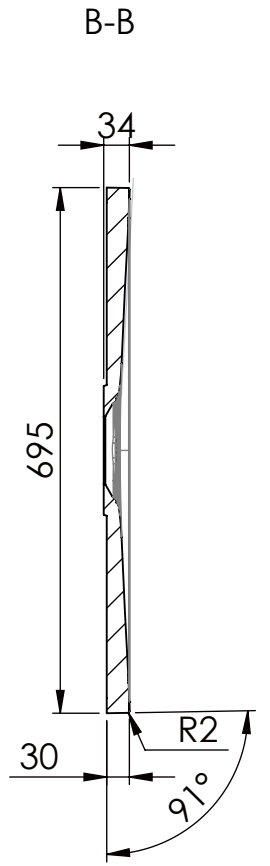
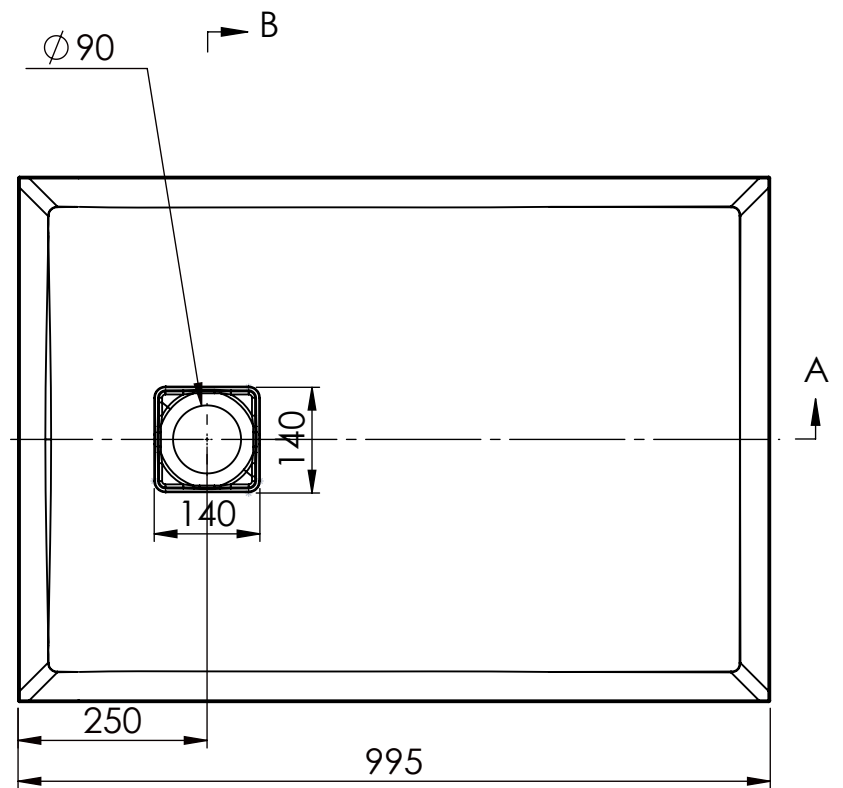
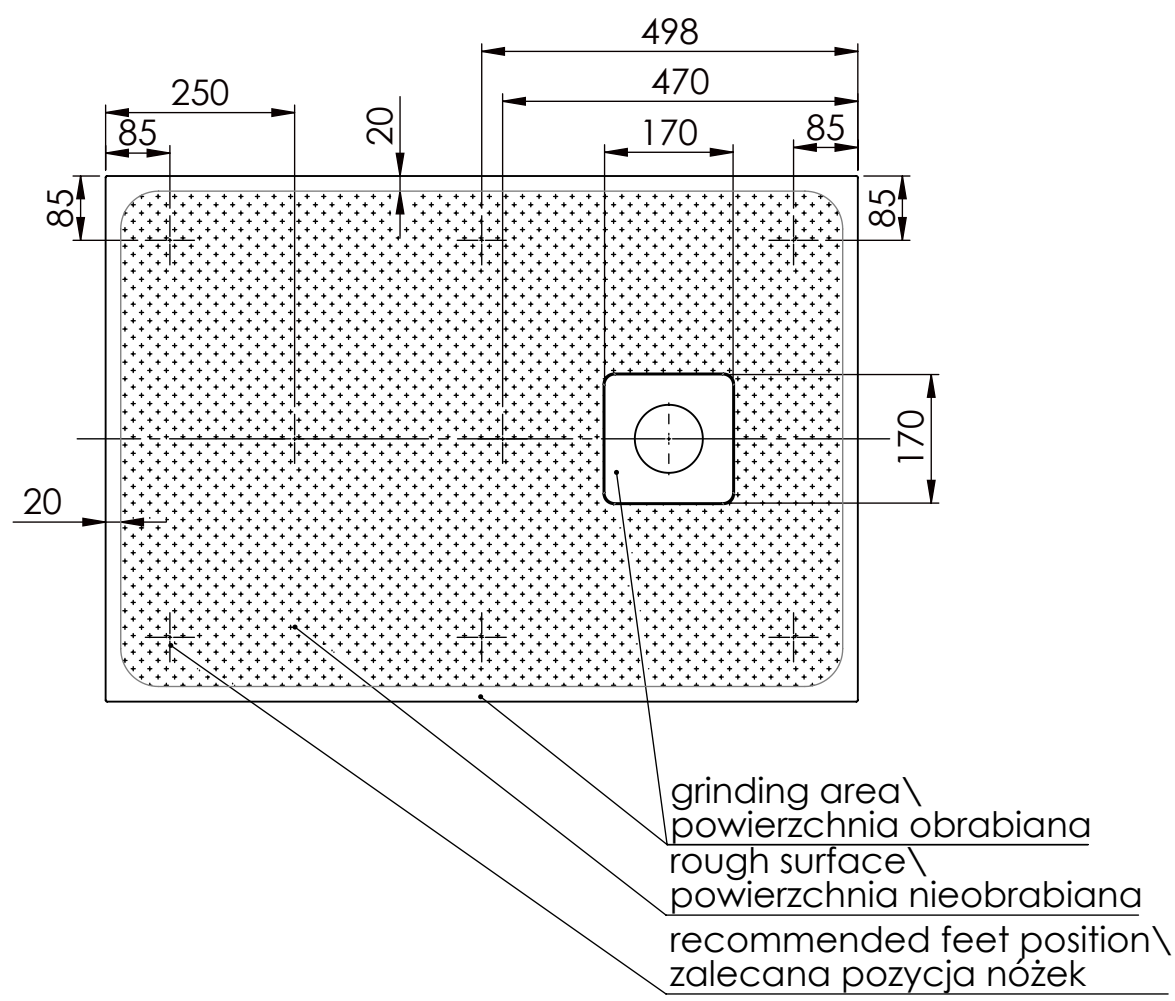
This document must not be copied without our written permission, and the contents thereof must not be imparted to a third party nor be used for any unauthorized purpose. Contravention will be prosecuted.

Drawn by	Created Date	Checked by Zbigniew P	Art. Name: REMIX 900x900 OM			
			Art. No: RB180612B09009			
			Project status Approved	Sheet Size A3	Scale 1:5	

Rev	Design Change Note	Author	Date
A	Internal validation	RB	2018-06-12
001	First issue - proposal	RB	2018-06-15



Bottom view - feet position/
Widok z dołu - rozstaw stópek



Approved notes
19/06/2018

Notes/Uwagi:

1. Steel plate - see drawing ZP180305G0140/Metalowa przykrywka - patrz rysunek ZP180305G0140

Tolerance length/width	+5/0 mm	Drawn by	Created Date	Checked by	Art. Name: REMIX 1000x700 OM
Tolerance height	+2/-2 mm	Rafal B	2018-06-12	Zbigniew P	Art. No: RB180612B10007
Tolerance plane bending	<1200 mm +2/-2 mm ≥1200 mm +3/-3 mm	Project status	Client	Mould No: XXXX	
Tolerance thickness	+2/-2 mm	Approved	LEROY MERLIN	Customer ID: XXXX	
Tolerance grinding	+2/0 mm			Material volume [mm³]	Overflow
Tolerance feet location	+7/-7 mm			17429633	No
Tolerance holes location	+2/-2 mm			Tap hole	0
Tolerance holes diameter	+1/-1 mm			Main dimensions L x W / H [mm]	1000 x 700 / 34
				Drain	Cover
				Surface area [mm²]	1472304
				Sheet Size	A3
				Scale	1:10
				Current revision	001

This document must not be copied without our written permission, and the contents thereof must not be imparted to a third party nor be used for any unauthorized purpose. Contravention will be prosecuted.

A

B

C

D

E

F

A

B

C

D



E

F

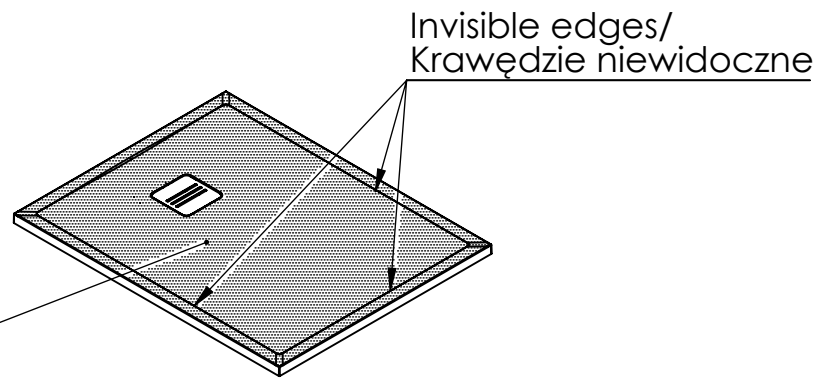
ACCESORIEST LIST

ART NO.	NAME	QUANTITY	NOTE
ZP180305G0140	Cover	1	
xxxxx	Instruction	1	

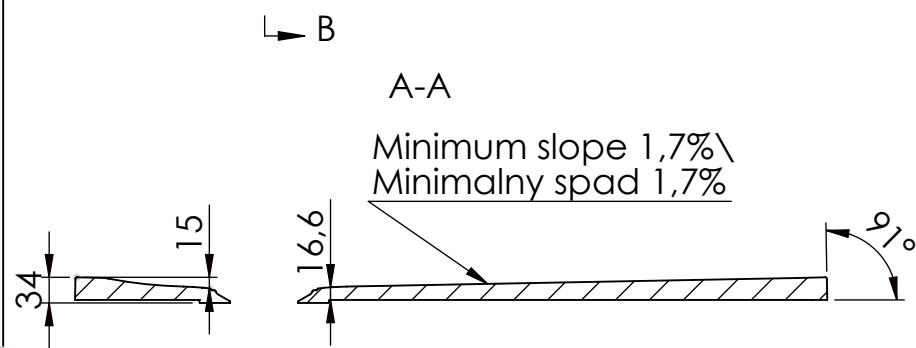
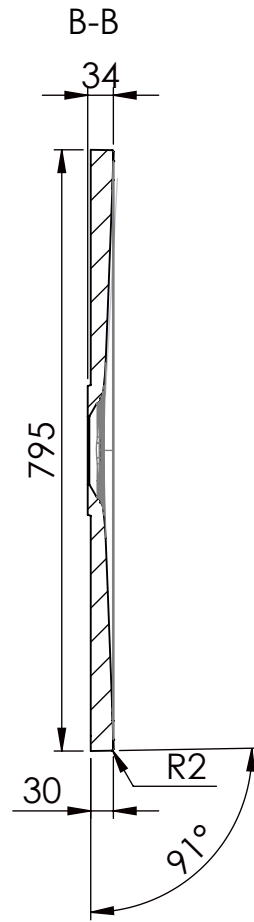
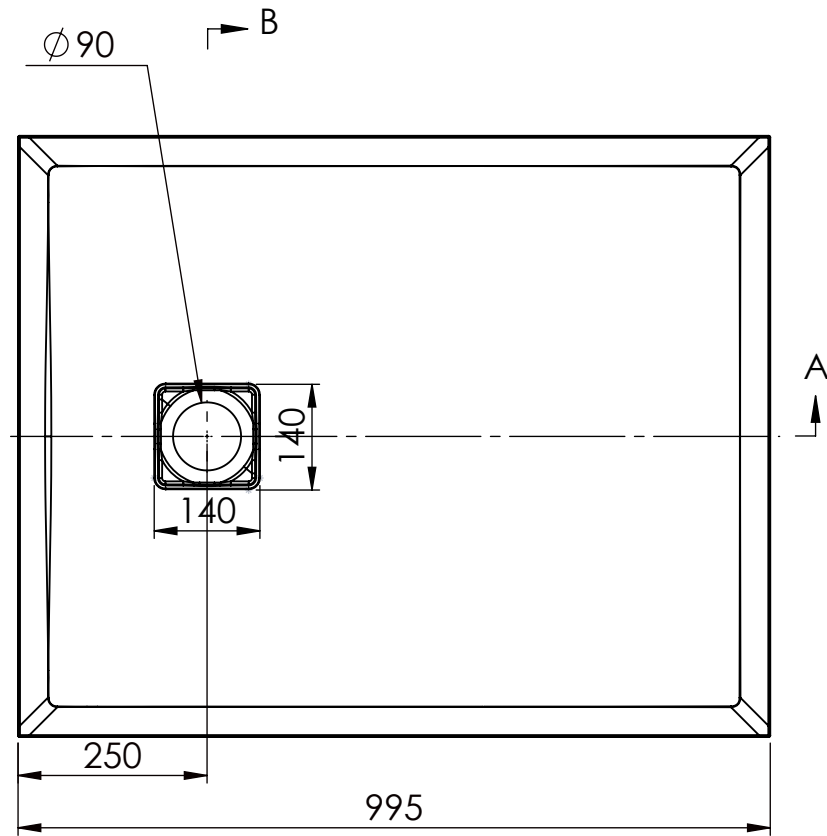
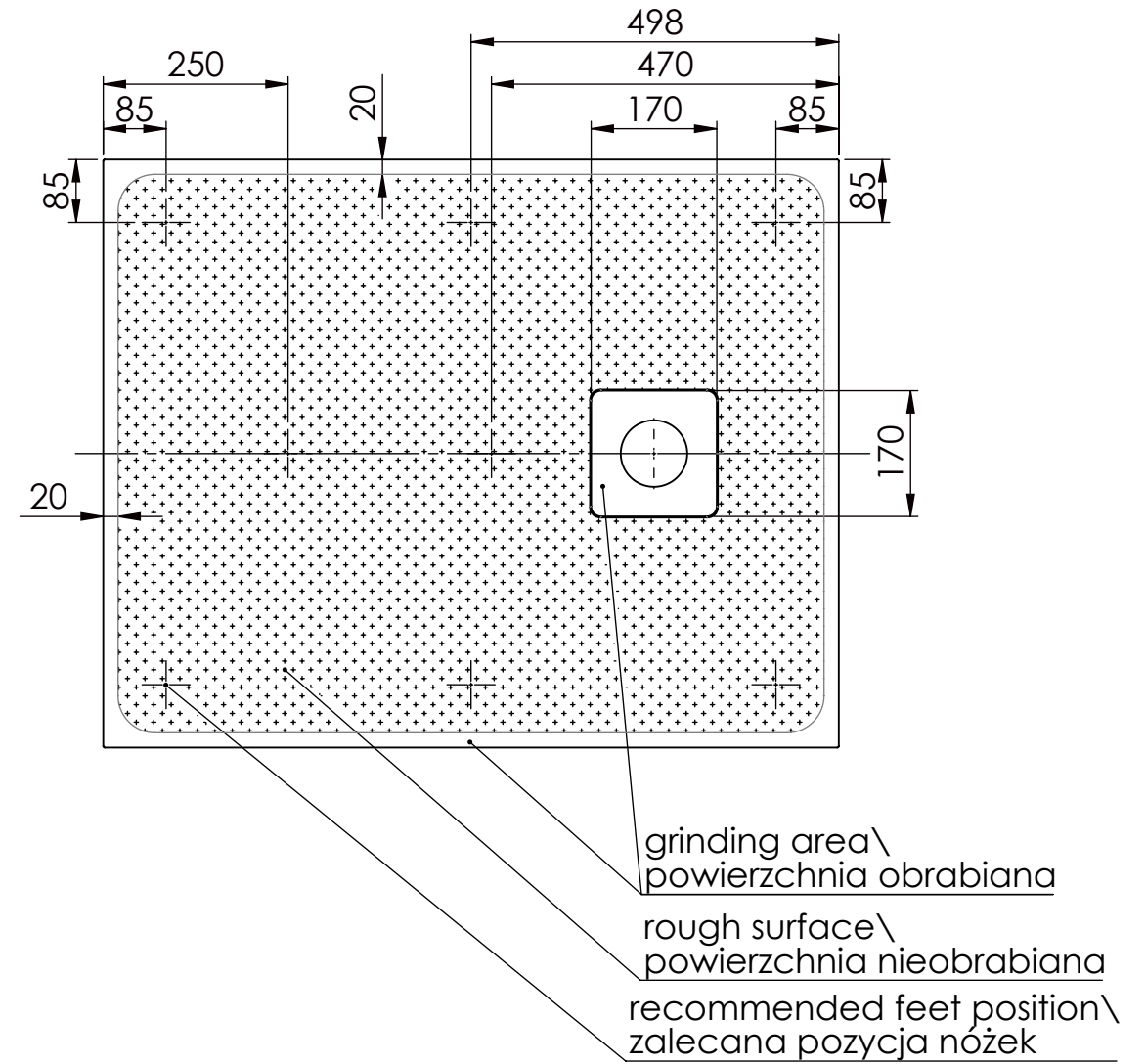
This document must not be copied without our written permission, and the contents thereof must not be imparted to a third party nor be used for any unauthorized purpose. Contravention will be prosecuted.

Drawn by	Created Date	Checked by Zbigniew P	Art. Name: REMIX 1000x700 OM			
			Art. No: RB180612B10007			
			Project status Approved	Sheet Size A3	Scale 1:5	

Rev	Design Change Note	Author	Date
A	Internal validation	RB	2018-06-12
001	First issue - proposal	RB	2018-06-15



Bottom view - feet position/
Widok z dołu - rozstaw stópek



Notes/Uwagi:

1. Steel plate - see drawing ZP180305G0140/Metalowa przykrywka - patrz rysunek ZP180305G0140

Tolerance length/width	+5/0 mm	Drawn by	Created Date	Checked by	Art. Name: REMIX 1000x800 OM
Tolerance height	+2/-2 mm	Rafal B	2018-06-12	Zbigniew P	Art. No: RB180612B10008
Tolerance plane bending	<1200 mm +2/-2 mm ≥1200 mm +3/-3 mm	Project status	Client	Mould No: XXXX	
Tolerance thickness	+2/-2 mm	Approved	LEROY MERLIN	Customer ID: XXXX	
Tolerance grinding	+2/0 mm			Material volume[mm ³]	Overflow
Tolerance feet location	+7/-7 mm			20046431	No
Tolerance holes location	+2/-2 mm			Tap hole	0
Tolerance holes diameter	+1/-1 mm			Main dimensions L x W / H [mm]	1000 x 800 / 34
				Surface area[mm ²]	1677783
				Sheet Size	A3
				Scale	1:10
				Current revision	001
				Drain	Cover

Approved Males
19/06/2018

This document must not be copied without our written permission, and the contents thereof must not be imparted to a third party nor be used for any unauthorized purpose. Contravention will be prosecuted.

A

B

C

D

E

F

A

B

C

D



E

F

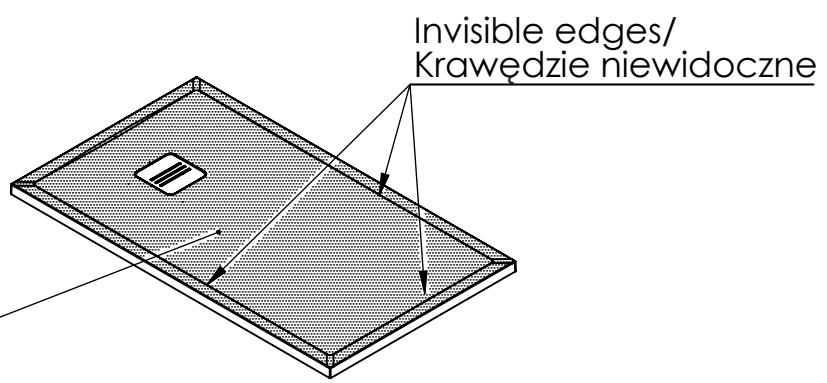
ACCESORIEST LIST

ART NO.	NAME	QUANTITY	NOTE
ZP180305G0140	Cover	1	
xxxxx	Instruction	1	

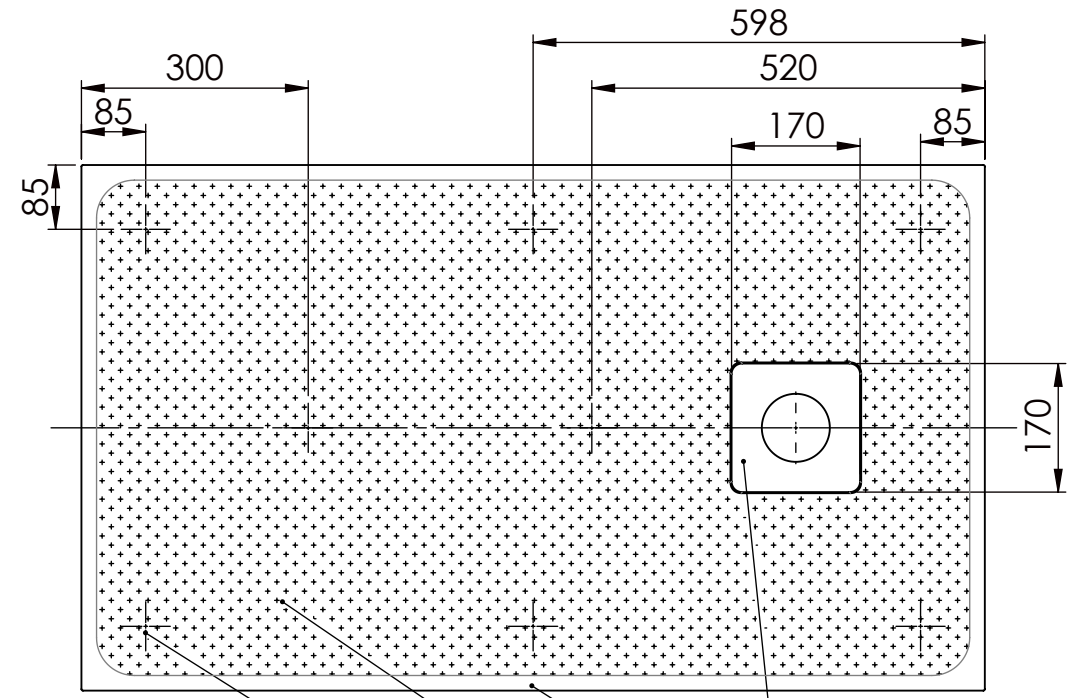
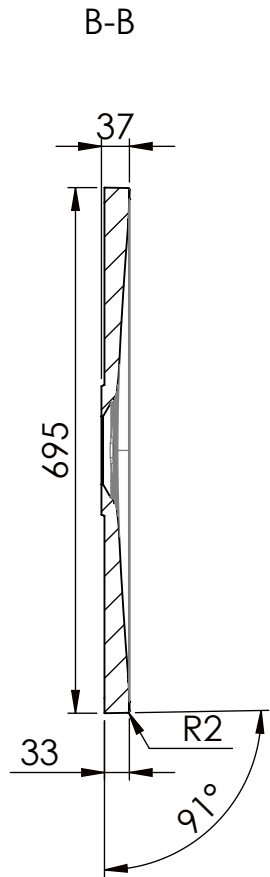
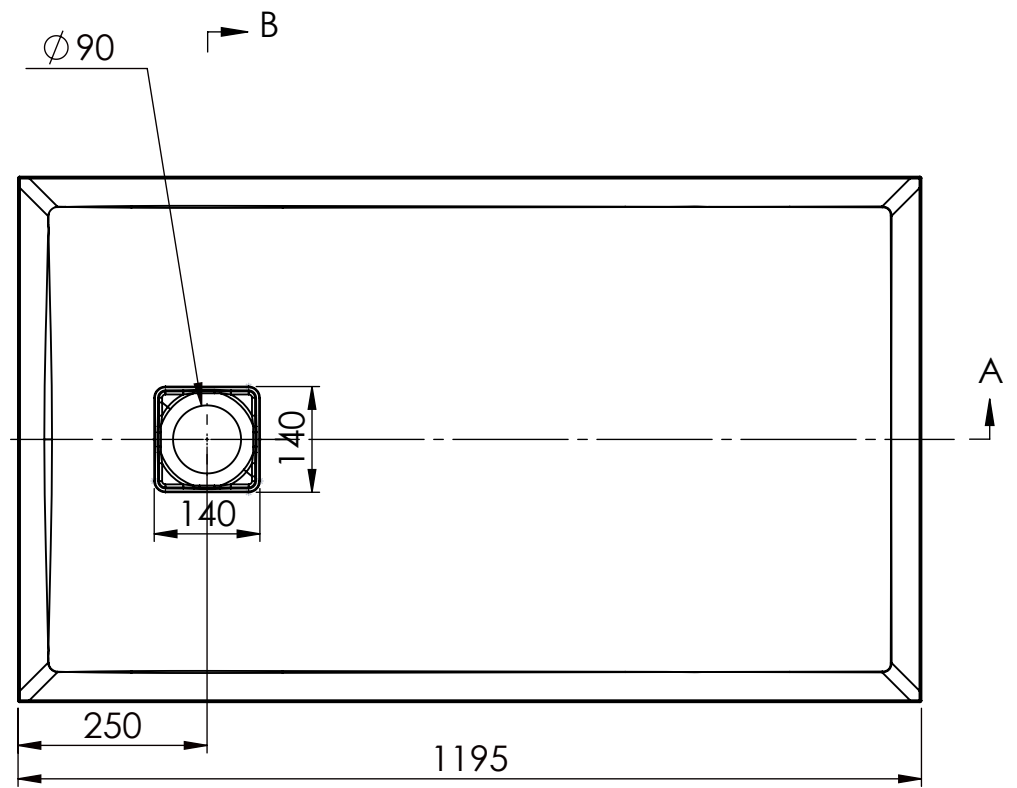
This document must not be copied without our written permission, and the contents thereof must not be imparted to a third party nor be used for any unauthorized purpose. Contravention will be prosecuted.

Drawn by	Created Date	Checked by Zbigniew P	Art. Name: REMIX 1000x800 OM			
			Art. No: RB180612B10008			
			Project status Approved	Sheet Size A3	Scale 1:5	

Rev	Design Change Note	Author	Date
A	Internal validation	RB	2018-06-12
001	First issue - proposal	RB	2018-06-15



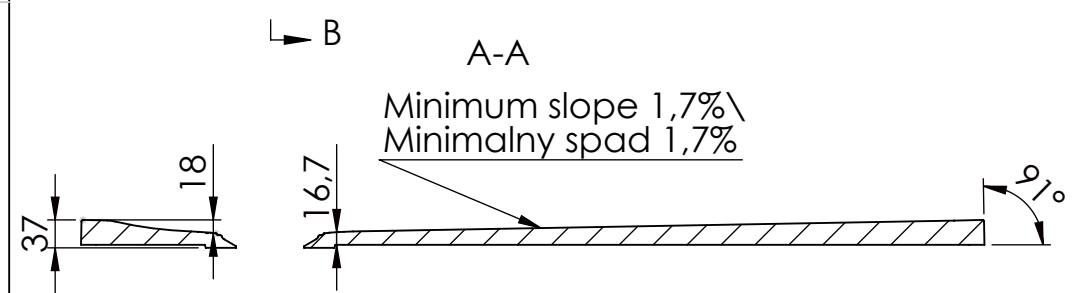
Bottom view - feet position/
Widok z dołu - rozstaw stóp



grinding area\
powierzchnia obrabiana

rough surface\
powierzchnia nieobrabiana

recommended feet position\
zalecana pozycja nóg



Approved holes
19/06/2018

Notes/Uwagi:

1. Steel plate - see drawing ZP180305G0140/Metalowa przykrywka - patrz rysunek ZP180305G0140

Tolerance length/width	+5/0 mm	Drawn by	Created Date	Checked by	Art. Name: REMIX 1200x700 OM
Tolerance height	+2/-2 mm	Rafal B	2018-06-12	Zbigniew P	Art. No: RB180612B12007
Tolerance plane bending	<1200 mm +2/-2 mm ≥1200 mm +3/-3 mm	Project status	Client		Mould No: xxxxx
Tolerance thickness	+2/-2 mm	Approved	LEROY MERLIN		Customer ID: xxxxx
Tolerance grinding	+2/0 mm			Material volume [mm³]	Overflow
Tolerance feet location	+7/-7 mm			22578517	No
Tolerance holes location	+2/-2 mm	Surface area [mm²]	Sheet Size	Scale	Main dimensions L x W / H [mm]
Tolerance holes diameter	+1/-1 mm	1773247	A3	1:10	1200 x 700 / 37
					Drain
					Cover
					Current revision
					001

This document must not be copied without our written permission, and the contents thereof must not be imparted to a third party nor be used for any unauthorized purpose. Contravention will be prosecuted.

A

B

C

D

E

F

A

B

C



D

E

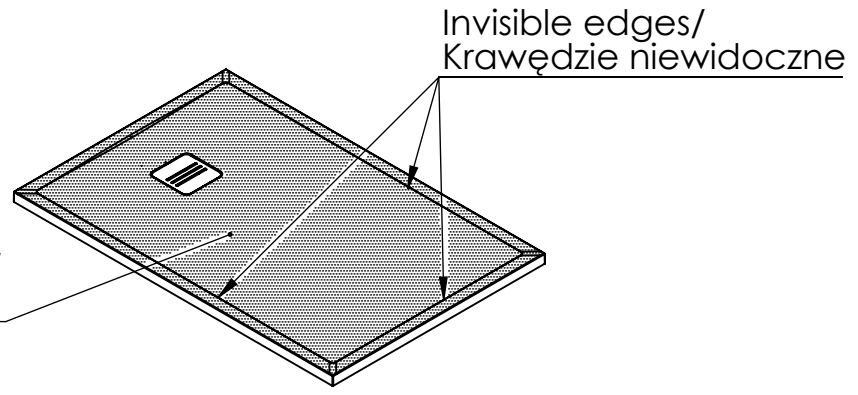
F

ACCESORIEST LIST			
ART NO.	NAME	QUANTITY	NOTE
ZP180305G0140	Cover	1	
xxxxx	Instruction	1	

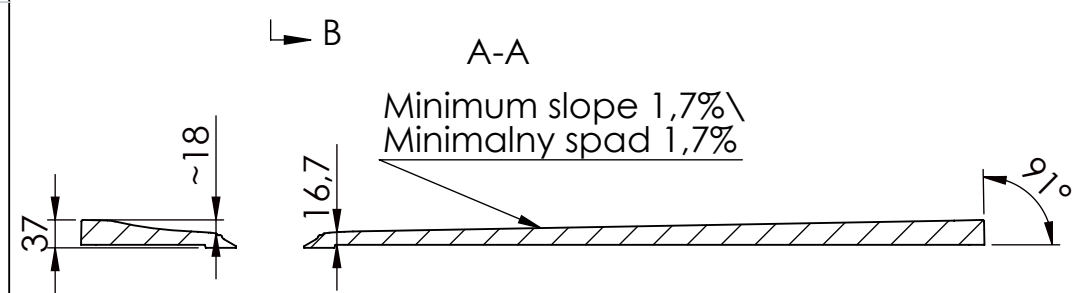
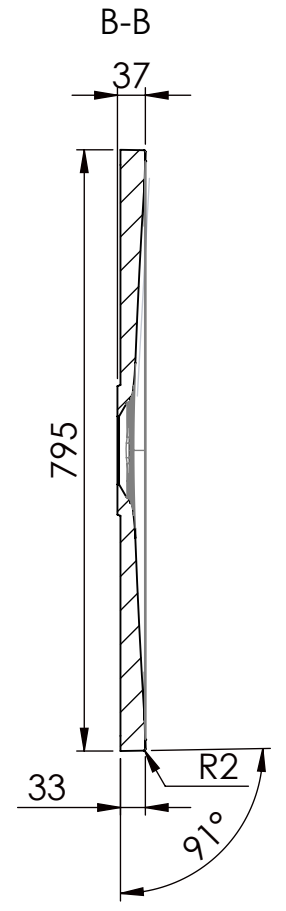
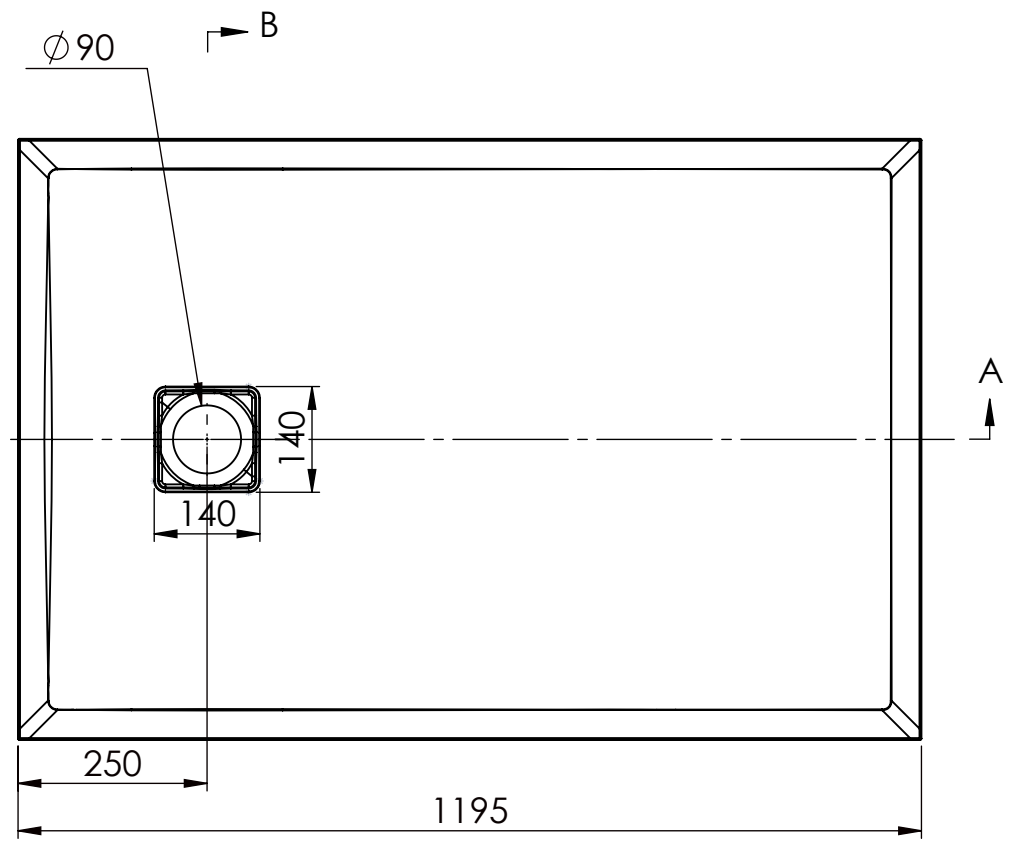
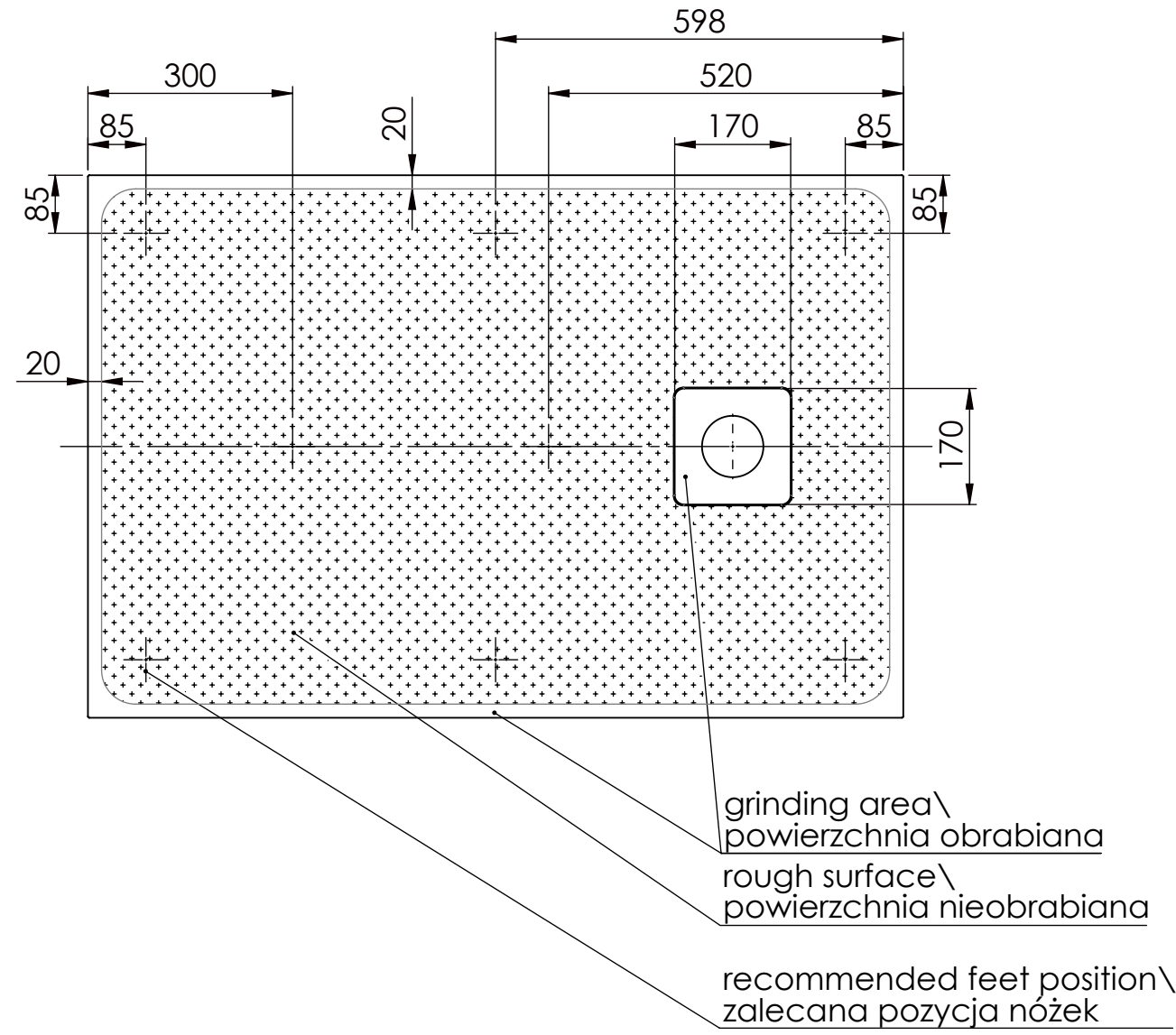
This document must not be copied without our written permission, and the contents thereof must not be imparted to a third party nor be used for any unauthorized purpose. Contravention will be prosecuted.

Drawn by	Created Date	Checked by Zbigniew P	Art. Name: REMIX 1200x700 OM			
			Art. No: RB180612B12007			
			Project status Approved	Sheet Size A3	Scale 1:5	

Rev	Design Change Note	Author	Date
A	Internal validation	RB	2018-06-12
001	First issue - proposal	RB	2018-06-15



Bottom view - feet position/
Widok z dołu - rozstaw stóp



Notes/Uwagi:

1. Steel plate - see drawing ZP180305G0140/Metalowa przykrywka - patrz rysunek ZP180305G0140

Tolerance length/width	+5/0 mm	Drawn by	Created Date	Checked by	Art. Name: REMIX 1200x800 OM
Tolerance height	+2/-2 mm	Rafal B	2018-06-12	Zbigniew P	Art. No: RB180612B12008
Tolerance plane bending	≤1200 mm +2/-2 mm ≥1200 mm +3/-3 mm	Project status	Client	Mould No: XXXX	
Tolerance thickness	+2/-2 mm	Approved	LEROY MERLIN	Customer ID: XXXX	
Tolerance grinding	+2/0 mm			Material volume [mm³]	Overflow
Tolerance feet location	+7/-7 mm			25985620	No
Tolerance holes location	+2/-2 mm			Tap hole	0
Tolerance holes diameter	+1/-1 mm			Main dimensions L x W / H [mm]	1200 x 800 / 37
				Surface area [mm²]	2018488
				Sheet Size	A3
				Scale	1:10
				Current revision	001

Approved idea
19/06/2018

This document must not be copied without our written permission, and the contents thereof must not be imparted to a third party nor be used for any unauthorized purpose. Contravention will be prosecuted.

A

B

C

D

E

F

A

B

C

D



E

F

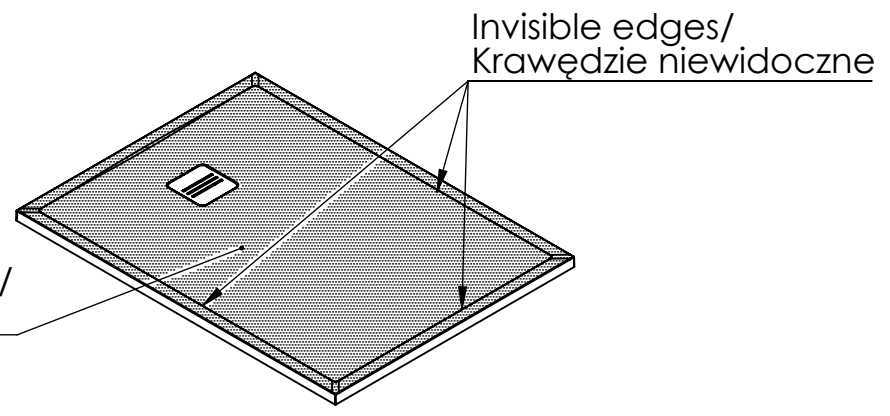
ACCESORIEST LIST

ART NO.	NAME	QUANTITY	NOTE
ZP180305G0140	Cover	1	
xxxxx	Instruction	1	

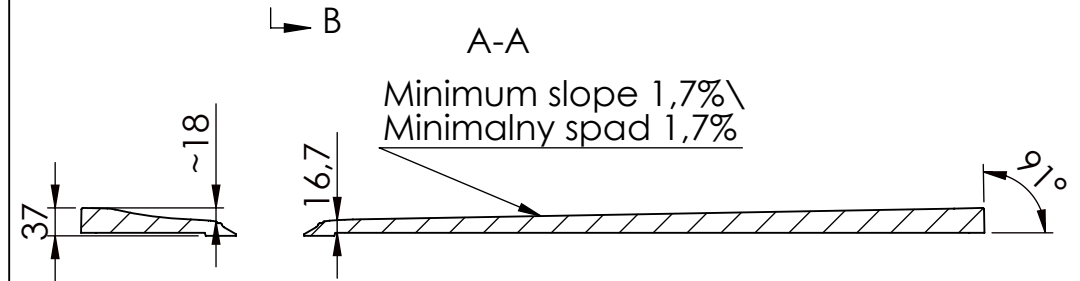
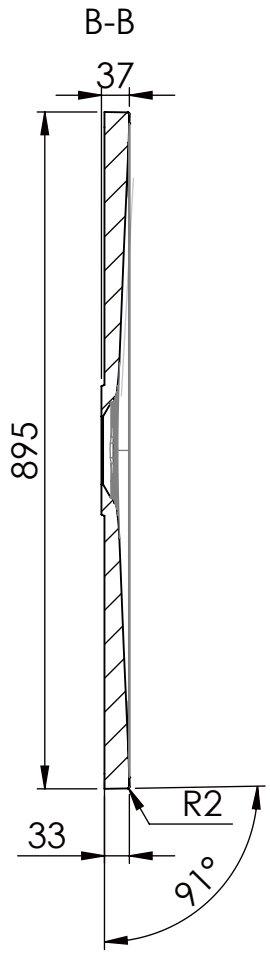
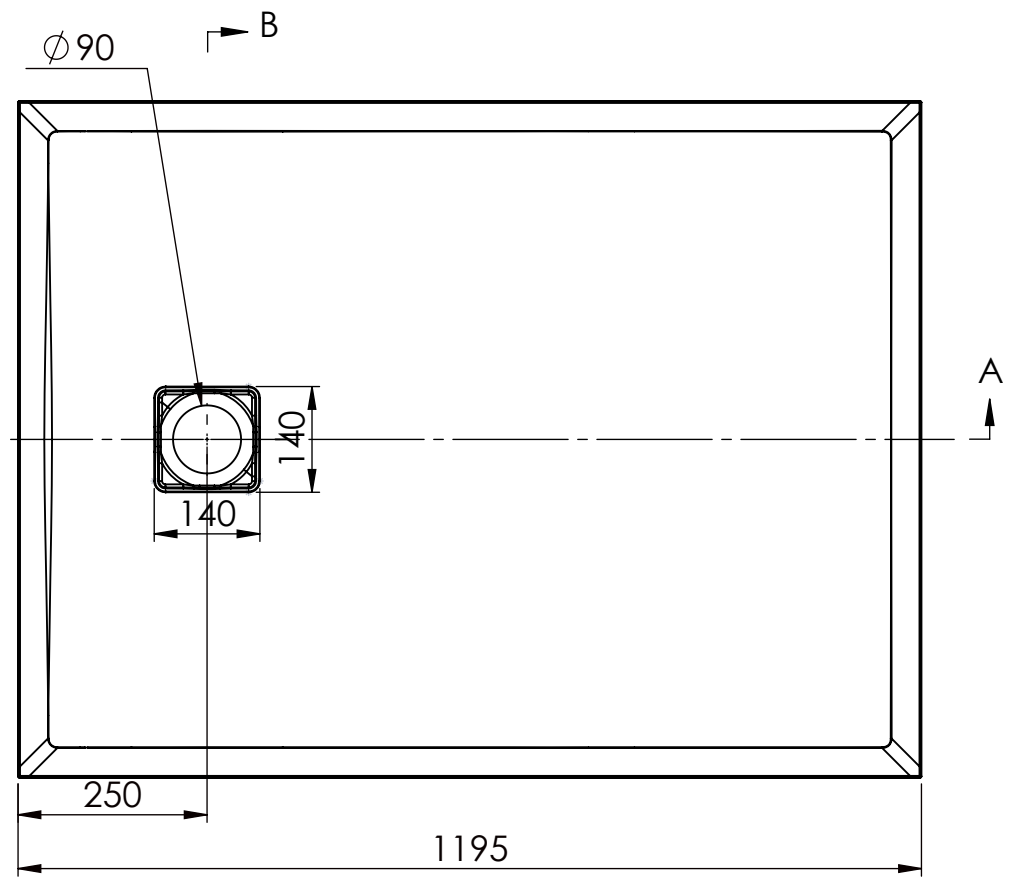
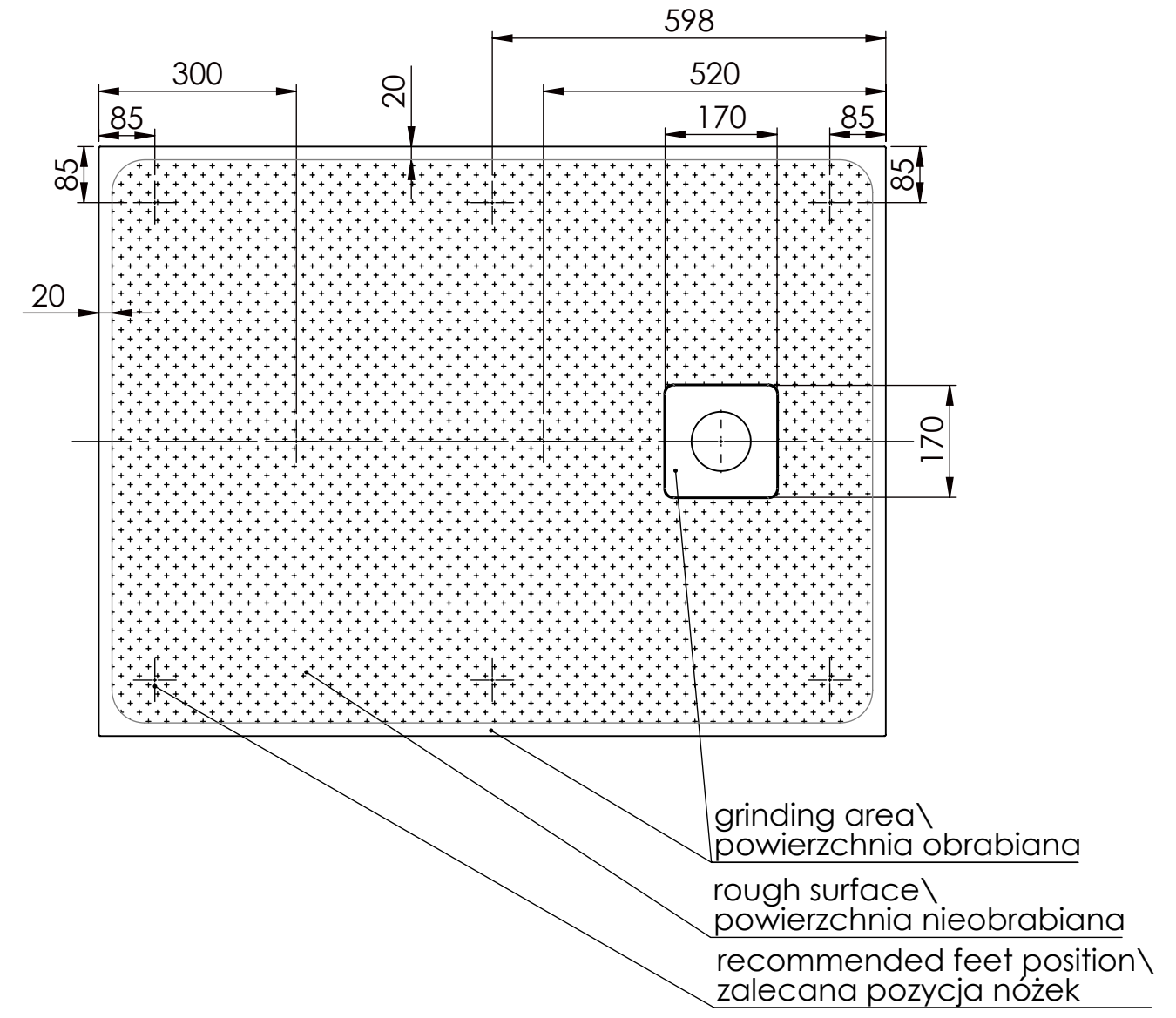
This document must not be copied without our written permission, and the contents thereof must not be imparted to a third party nor be used for any unauthorized purpose. Contravention will be prosecuted.

Drawn by	Created Date	Checked by Zbigniew P	Art. Name: REMIX 1200x800 OM			
			Art. No: RB180612B12008			
			Project status Approved	Sheet Size A3	Scale 1:5	

Rev	Design Change Note	Author	Date
A	Internal validation	RB	2018-06-12
001	First issue - proposal	RB	2018-06-15



Bottom view - feet position/
Widok z dołu - rozstaw stóp



Notes/Uwagi:

1. Steel plate - see drawing ZP180305G0140/Metalowa przykrywka - patrz rysunek ZP180305G0140

Tolerance length/width	+5/0 mm	Drawn by	Created Date	Checked by	Art. Name: REMIX 1200x900 OM
Tolerance height	+2/-2 mm	Rafal B	2018-06-12	Zbigniew P	Art. No: RB180612B12009
Tolerance plane bending	<1200 mm +2/-2 mm ≥1200 mm +3/-3 mm	Project status	Client	Mould No: XXXX	
Tolerance thickness	+2/-2 mm	Approved	LEROY MERLIN	Customer ID: XXXX	
Tolerance grinding	+2/0 mm			Material volume[mm³]	Overflow
Tolerance feet location	+7/-7 mm			29421213	No
Tolerance holes location	+2/-2 mm			Tap hole	Main dimensions L x W / H [mm]
Tolerance holes diameter	+1/-1 mm			0	1200 x 900 / 37
				Surface area[mm²]	Sheet Size
				2263799	A3
				Scale	1:10
				Current revision	001

Approved Model
19/06/2018

This document must not be copied without our written permission, and the contents thereof must not be imparted to a third party nor be used for any unauthorized purpose. Contravention will be prosecuted.

1 2 3 4 5 6 7 8

A

A

ACCESORIEST LIST			
ART NO.	NAME	QUANTITY	NOTE
ZP180305G0140	Cover	1	
xxxxx	Instruction	1	

B

B

C

C

D

D



E

E

F

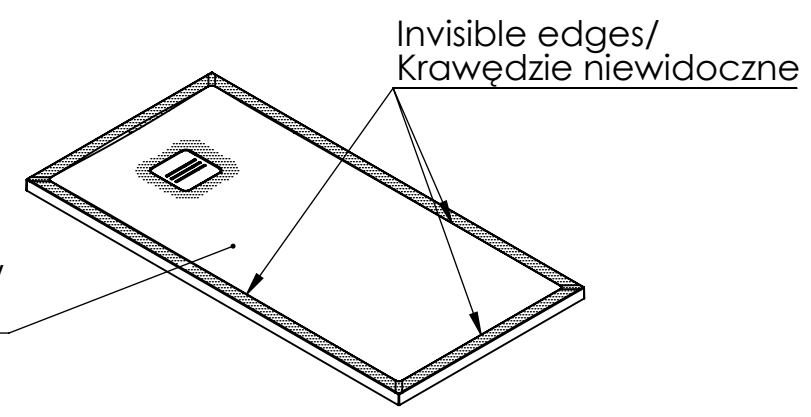
F

This document must not be copied without our written permission, and the contents thereof must not be imparted to a third party nor be used for any unauthorized purpose. Contravention will be prosecuted.

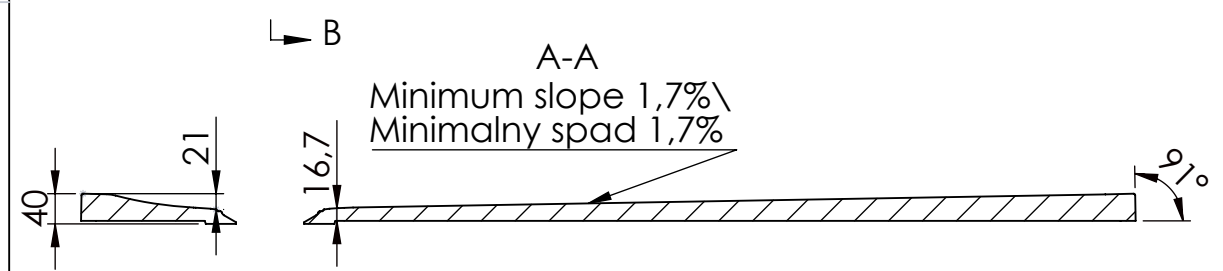
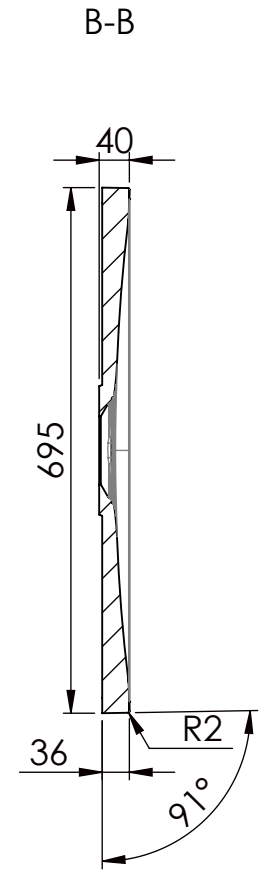
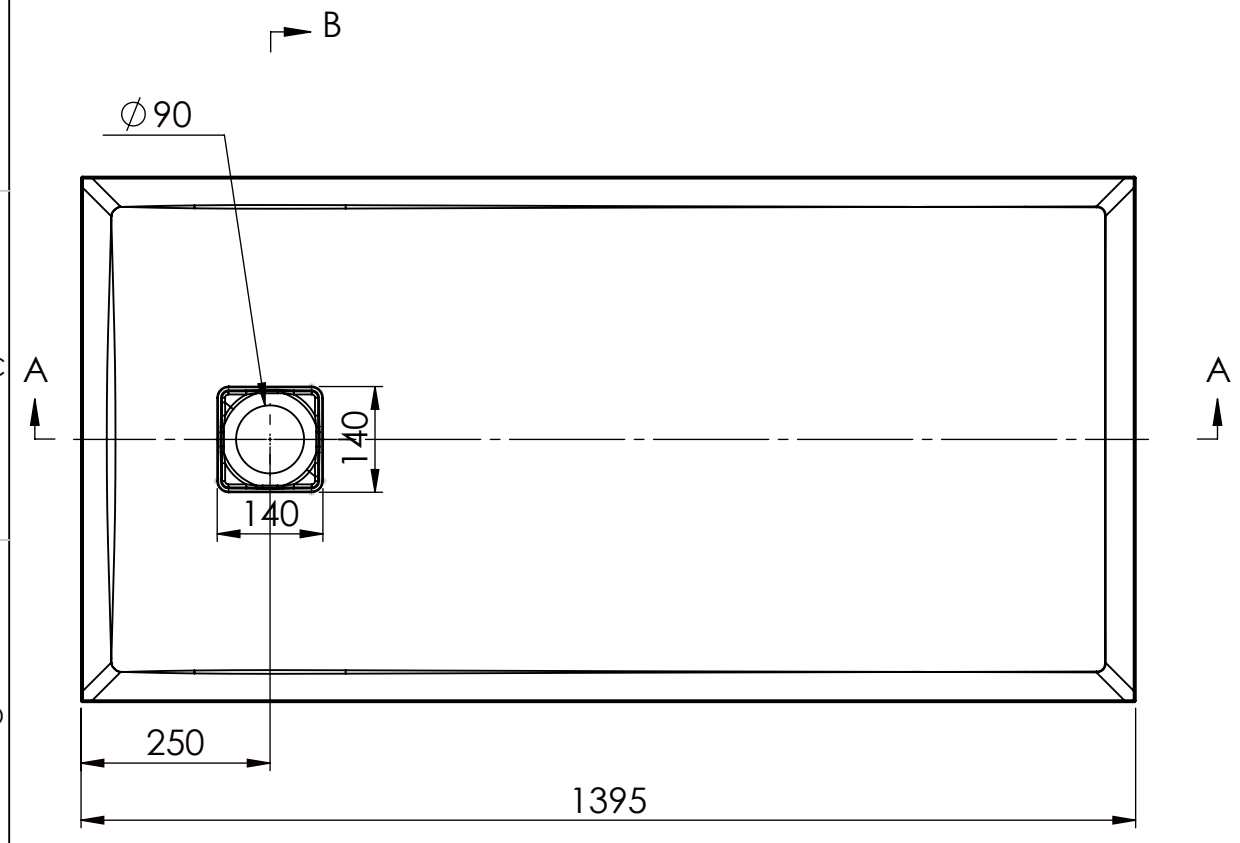
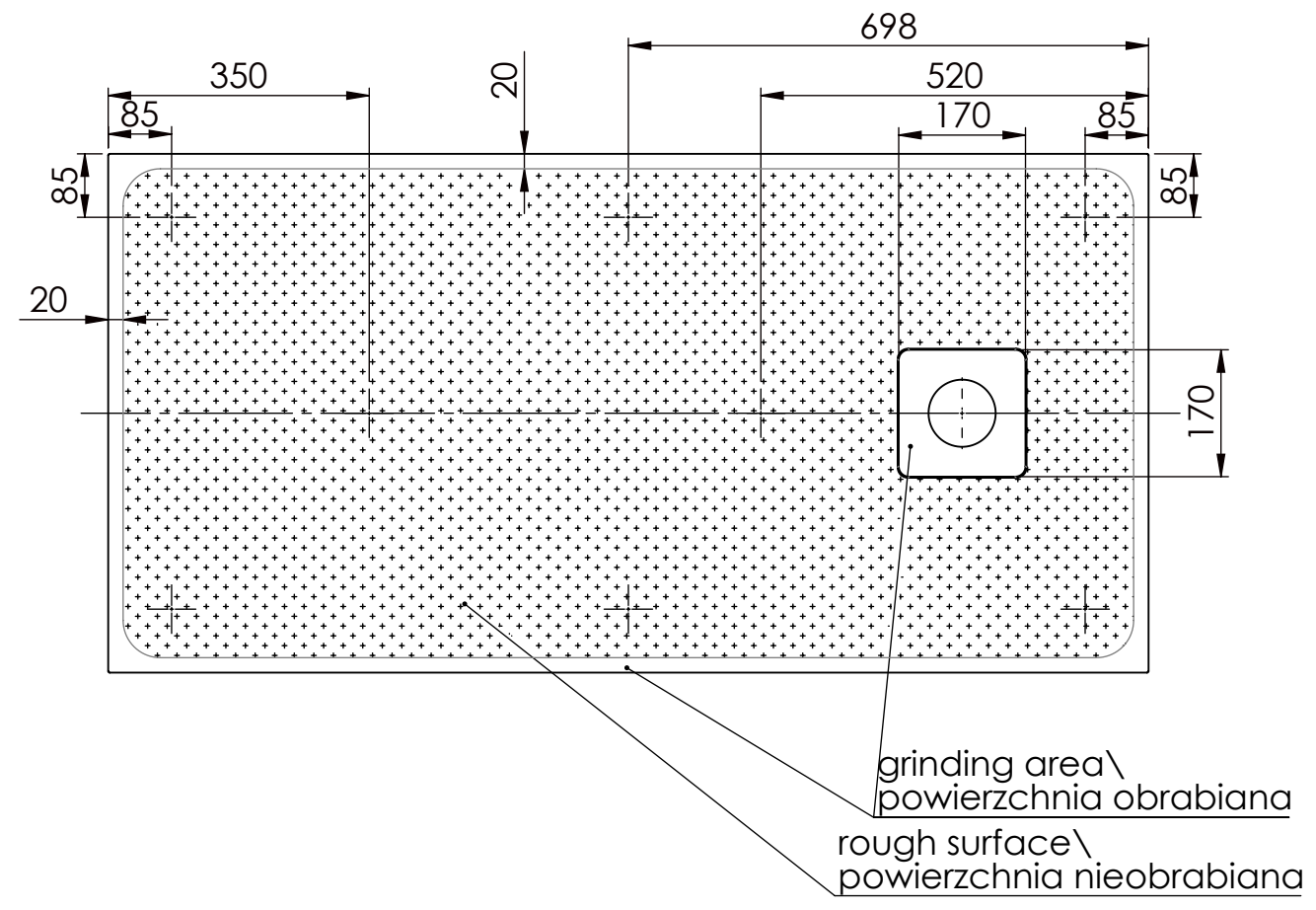
Drawn by	Created Date	Checked by Zbigniew P	Art. Name: REMIX 1200x900 OM			
			Art. No: RB180612B12009			
			Project status Approved	Sheet Size A3	Scale 1:5	

1 2 3 4 5 6 7 8

Rev	Design Change Note	Author	Date
A	Internal validation	RB	2018-06-12
001	First issue - proposal	RB	2018-06-15



Bottom view - feet position/
Widok z dołu - rozstaw stópek



Notes/Uwagi:

1. Steel plate - see drawing ZP180305G0140/Metalowa przykrywka - patrz rysunek ZP180305G0140

Approved notes
19/06/2018

Tolerance length/width	+5/0 mm	Drawn by	Created Date	Checked by	Art. Name: REMIX 1400x700 OM
Tolerance height	+2/-2 mm	Rafal B	2018-06-12	Zbigniew P	Art. No: RB180612B14007
Tolerance plane bending	<1200 mm +2/-2 mm ≥1200 mm +3/-3 mm	Project status	Client		Mould No: XXXX
Tolerance thickness	+2/-2 mm	Approved	LEROY MERLIN		Customer ID: XXXX
Tolerance grinding	+2/0 mm				
Tolerance feet location	+7/-7 mm				
Tolerance holes location	+2/-2 mm				
Tolerance holes diameter	+1/-1 mm				
					Material volume [mm ³]
					28348192
					Overflow
					No
					Taphole
					0
					Main dimensions L x W / H [mm]
					1400 x 700 / 40
					Drain
					Cover
					Surface area [mm ²]
					2076652
					Sheet Size
					A3
					Scale
					1:10
					Current revision
					001



This document must not be copied without our written permission, and the contents thereof must not be imparted to a third party nor be used for any unauthorized purpose. Contravention will be prosecuted.

A

B

C

D

E

F

A

B

C



D

E

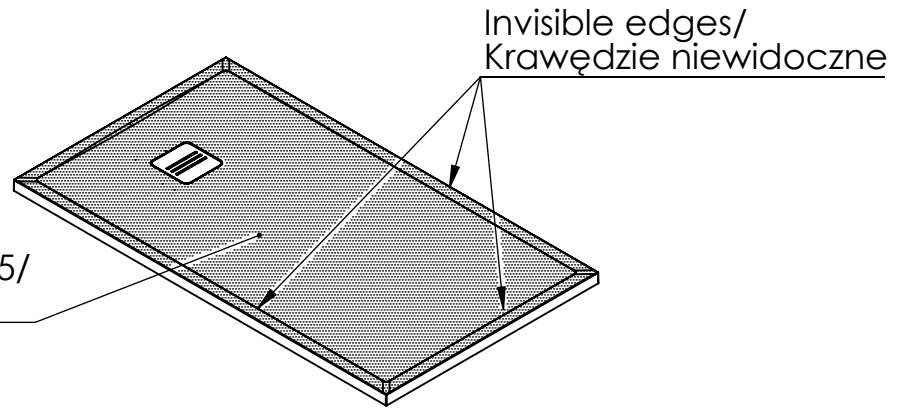
F

ACCESORIE LIST			
ART NO.	NAME	QUANTITY	NOTE
ZP180305G0140	Cover	1	
xxxxx	Instruction	1	

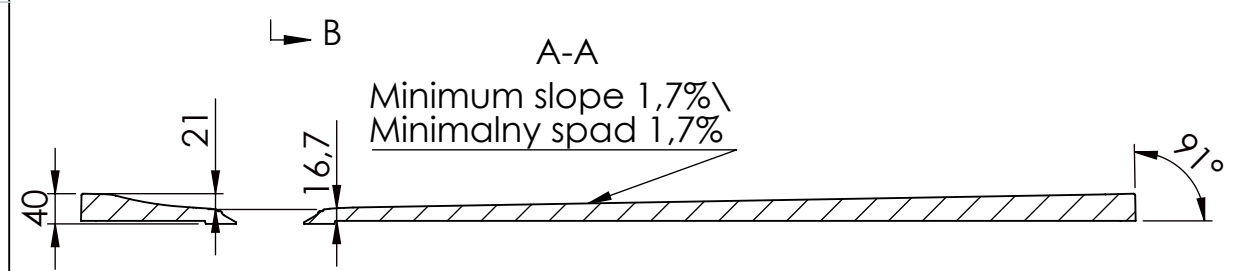
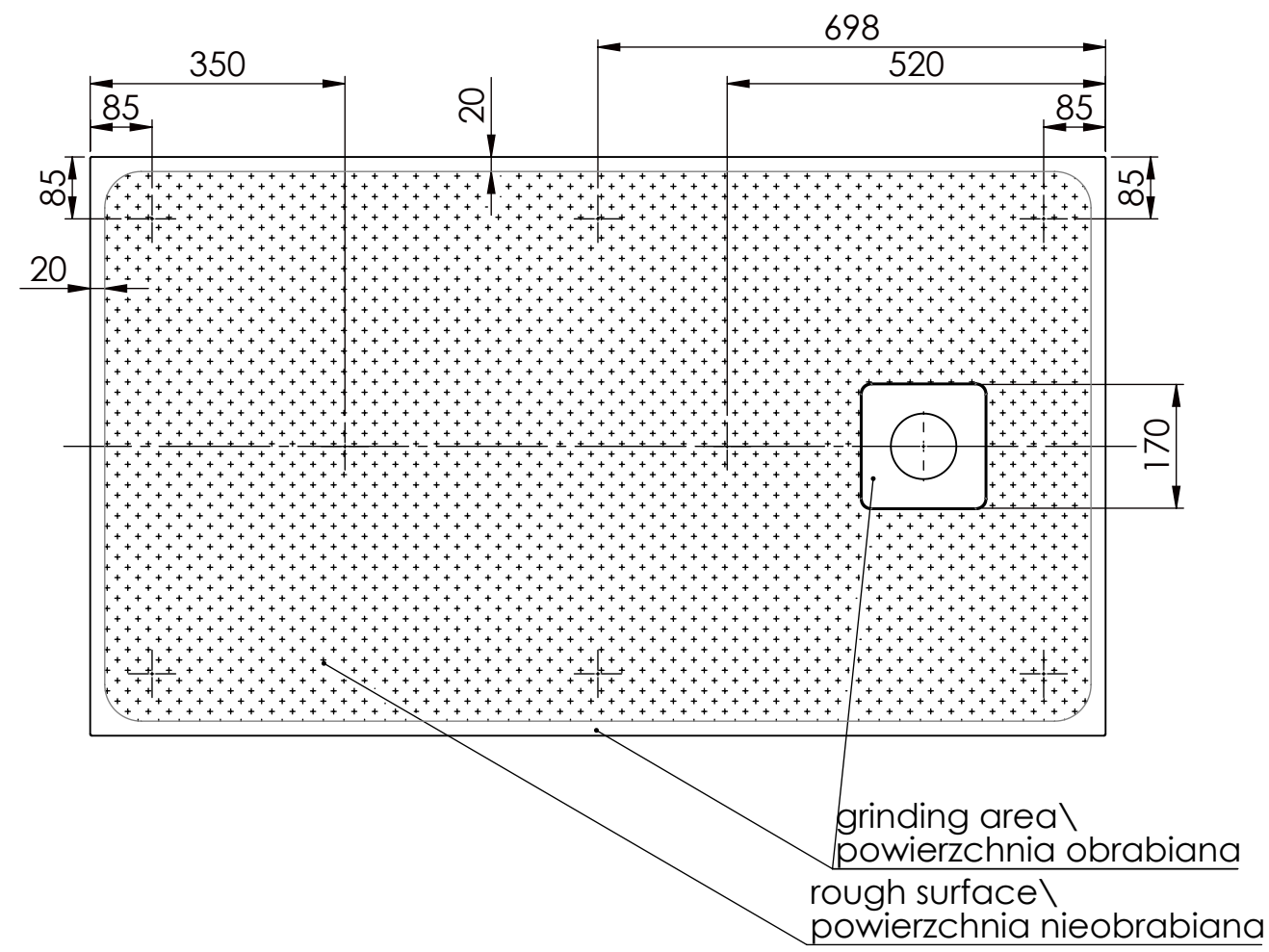
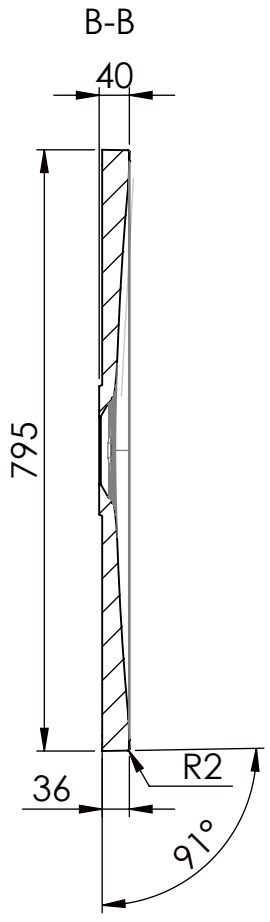
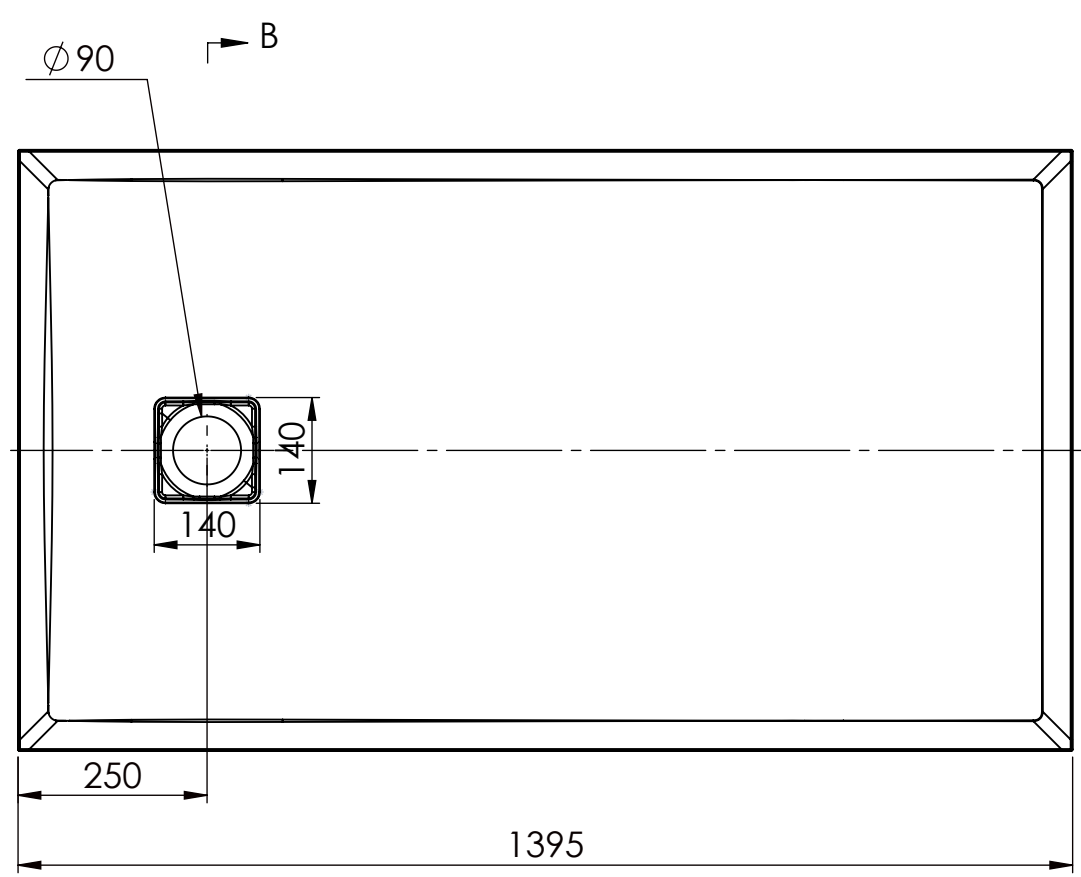
This document must not be copied without our written permission, and the contents thereof must not be imparted to a third party nor be used for any unauthorized purpose. Contravention will be prosecuted.

Drawn by	Created Date	Checked by Zbigniew P	Art. Name: REMIX 1400x700 OM			
			Art. No: RB180612B14007			
			Project status Approved	Sheet Size A3	Scale 1:5	

Rev	Design Change Note	Author	Date
A	Internal validation	RB	2018-06-12
001	First issue - proposal	RB	2018-06-15



Bottom view - feet position/
Widok z dołu - rozstaw stóp



Notes/Uwagi:

1. Steel plate - see drawing ZP180305G0140/Metalowa przykrywka - patrz rysunek ZP180305G0140

Tolerance length/width	+5/0 mm	Drawn by	Created Date	Checked by	Art. Name:						
Tolerance height	+2/-2 mm	Rafal B	2018-06-12	Zbigniew P	REMIX 1400x800 OM						
Tolerance plane bending	≤ 1200 mm +2/-2 mm ≥ 1200 mm +3/-3 mm	Project status	Client	Approved	LEROY MERLIN	Art. No:	RB180612B14008	Mould No:	XXXX		
Tolerance thickness	+2/-2 mm					Customer ID:	XXXX				
Tolerance grinding	+2/0 mm					Material volume[mm ³]	Overflow	Taphole	Main dimensions L x W / H [mm]	Drain	
Tolerance feet location	+7/-7 mm					32638686	No	0	1400 x 800 / 40	Cover	
Tolerance holes location	+2/-2 mm					Surface area[mm ²]	Sheet Size	Scale			Current revision
Tolerance holes diameter	+1/-1 mm					2362453	A3	1:10			001



Approved Note
19/06/2018

This document must not be copied without our written permission, and the contents thereof must not be imparted to a third party nor be used for any unauthorized purpose. Contravention will be prosecuted.

A

B

C

D

E

F

A

B

C



D

E

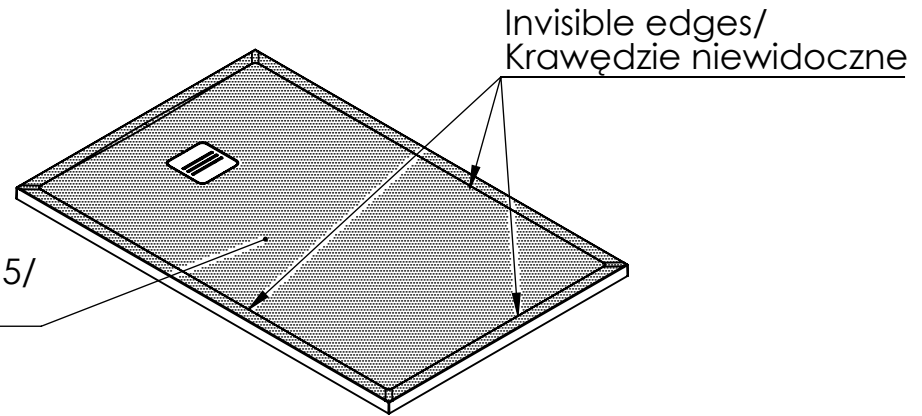
F

ACCESORIE LIST			
ART NO.	NAME	QUANTITY	NOTE
ZP180305G0140	Cover	1	
xxxxx	Instruction	1	

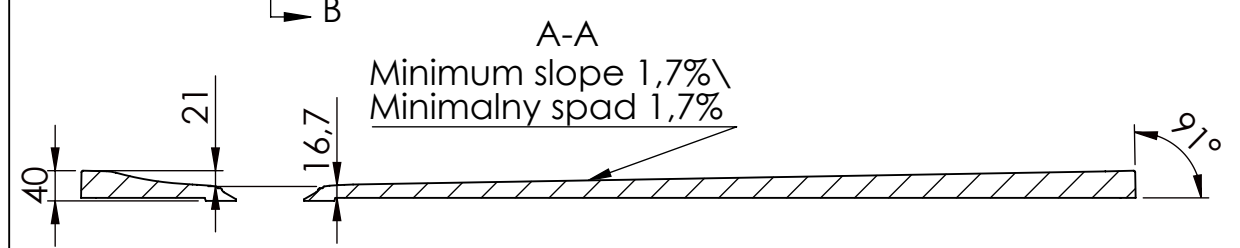
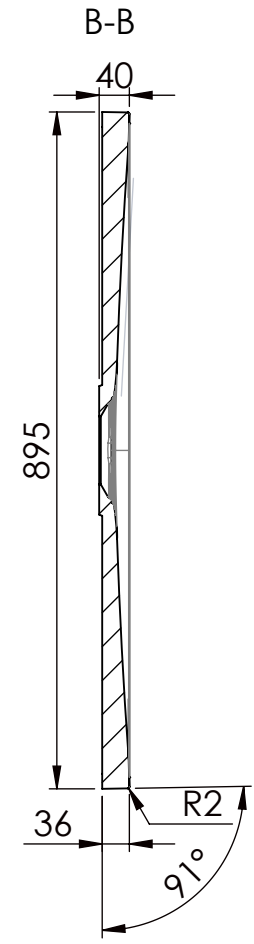
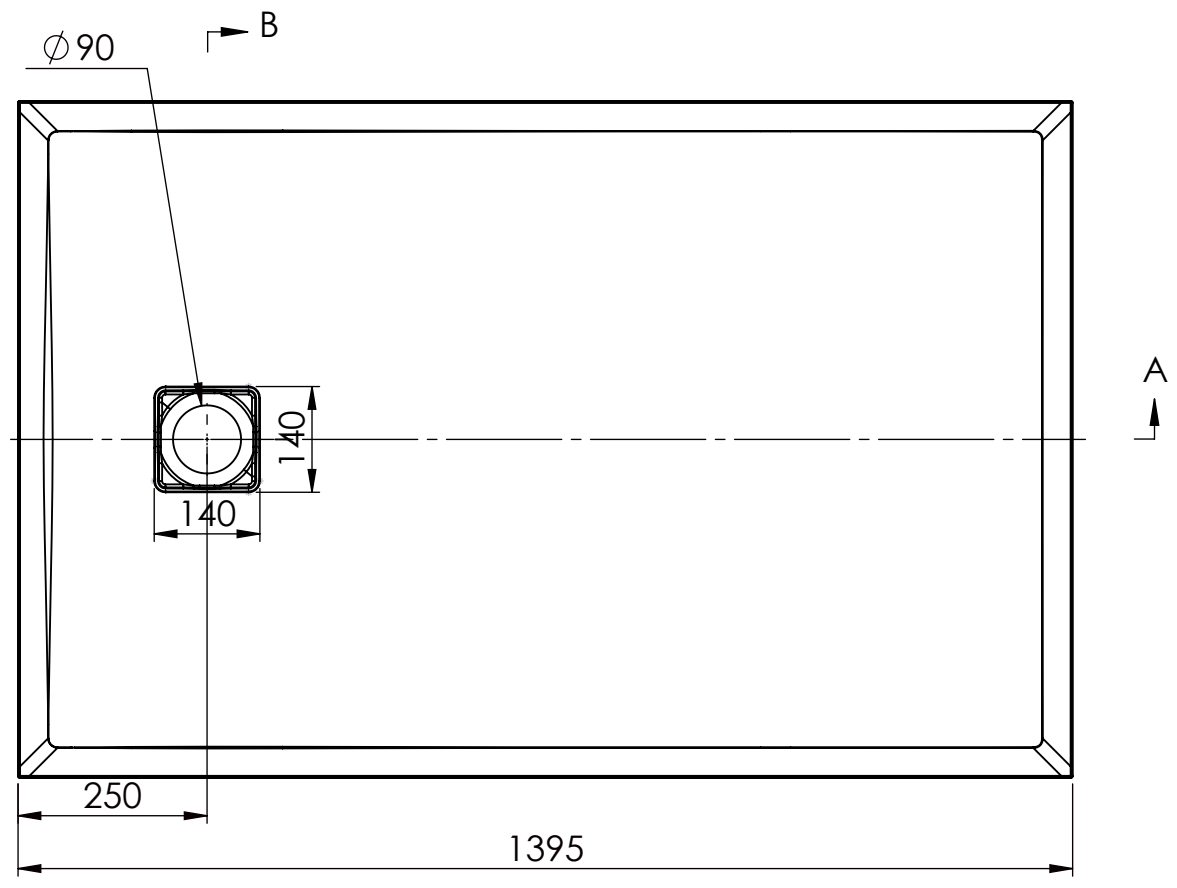
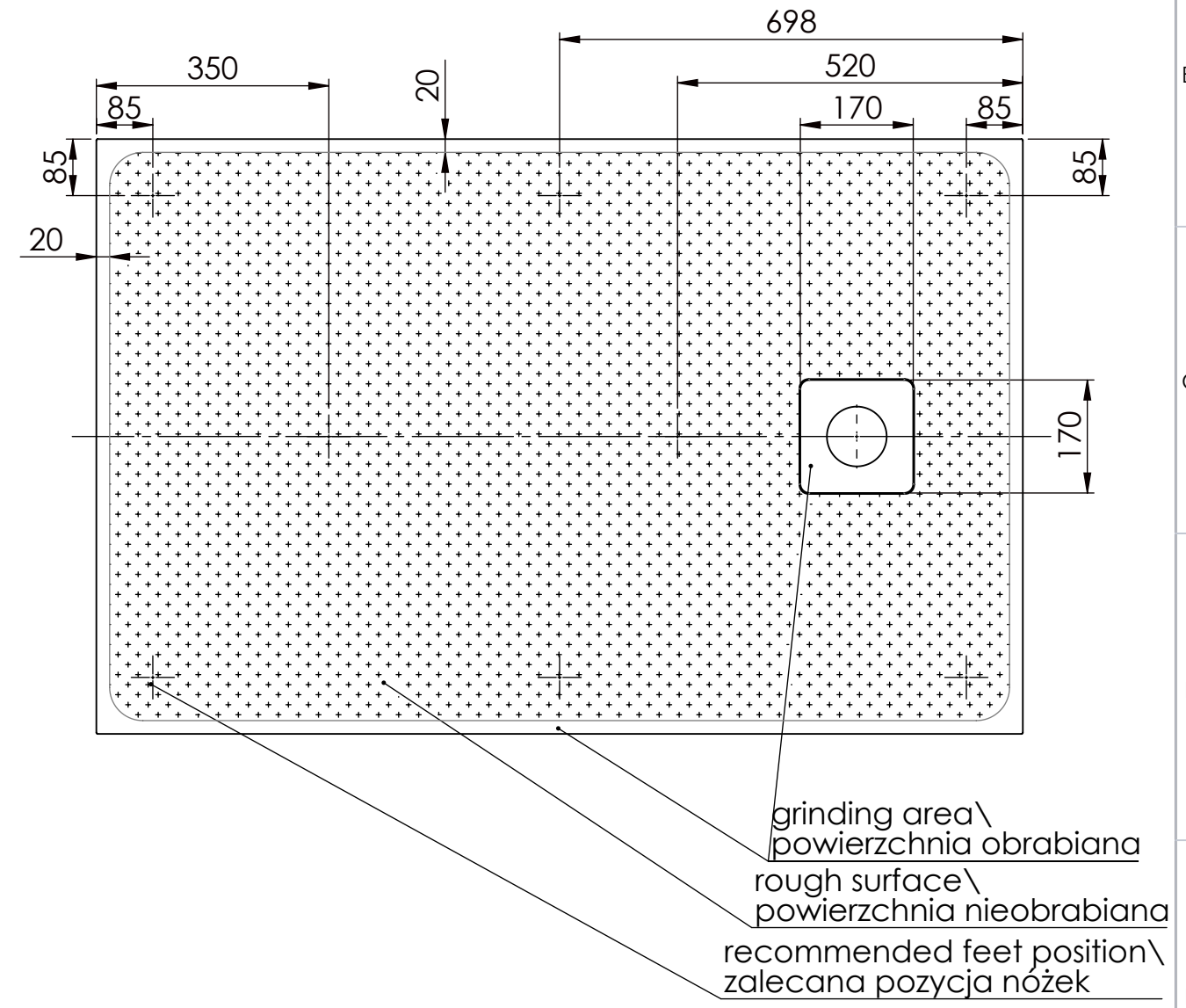
This document must not be copied without our written permission, and the contents thereof must not be imparted to a third party nor be used for any unauthorized purpose. Contravention will be prosecuted.

Drawn by	Created Date	Checked by Zbigniew P	Art. Name: REMIX 1400x800 OM			
			Art. No: RB180612B14008			
			Project status Approved	Sheet Size A3	Scale 1:5	

Rev	Design Change Note	Author	Date
A	Internal validation	RB	2018-06-12
001	First issue - proposal	RB	2018-06-15



Bottom view - feet position/
Widok z dołu - rozstaw stóp



Notes/Uwagi:

1. Steel plate - see drawing ZP180305G0140/Metalowa przykrywka - patrz rysunek ZP180305G0140

Approved notes
19/06/2018

Tolerance length/width	+5/0 mm	Drawn by	Created Date	Checked by	Art. Name: REMIX 1400x900 OM
Tolerance height	+2/-2 mm	Rafal B	2018-06-12	Zbigniew P	Art. No: RB180612B14009
Tolerance plane bending	<1200 mm +2/-2 mm ≥1200 mm +3/-3 mm	Project status	Client	Mould No: XXXX	
Tolerance thickness	+2/-2 mm	Approved	LEROY MERLIN	Customer ID: XXXX	
Tolerance grinding	+2/0 mm			Material volume[mm³]	Overflow
Tolerance feet location	+7/-7 mm			36832532	No
Tolerance holes location	+2/-2 mm			Tap hole	0
Tolerance holes diameter	+1/-1 mm			Main dimensions L x W / H [mm]	1400 x 900 / 40
				Drain	Cover
				Surface area[mm²]	2648310
				Sheet Size	A3
				Scale	1:10
				Current revision	001

This document must not be copied without our written permission, and the contents thereof must not be imparted to a third party nor be used for any unauthorized purpose. Contravention will be prosecuted.

A

B

C

D

E

F

A

B

C

D



E

F

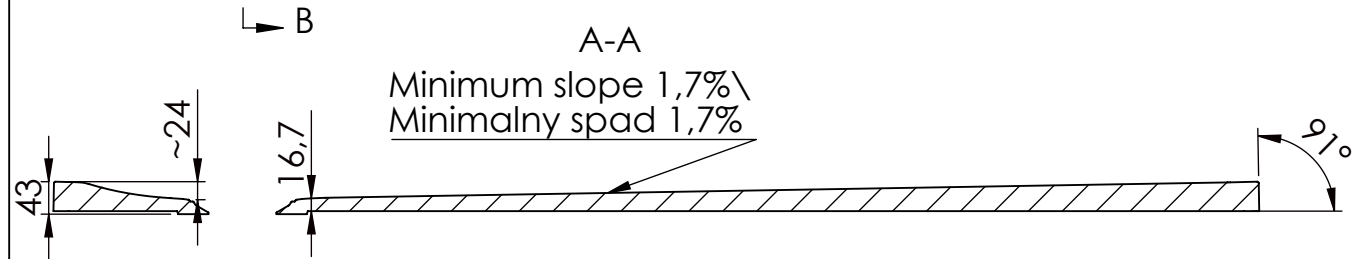
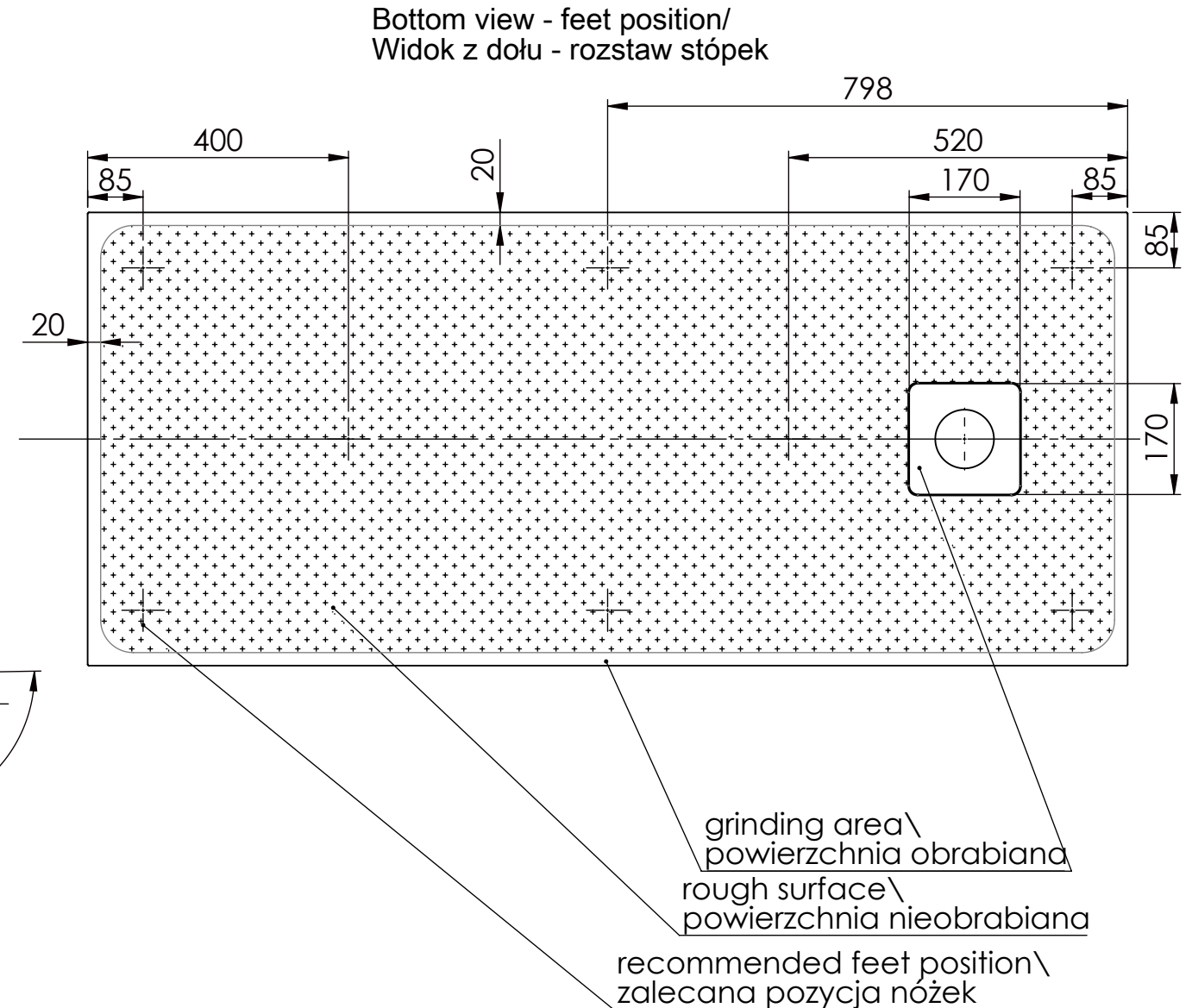
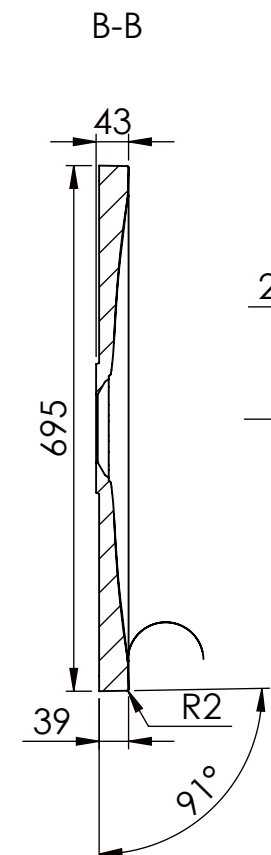
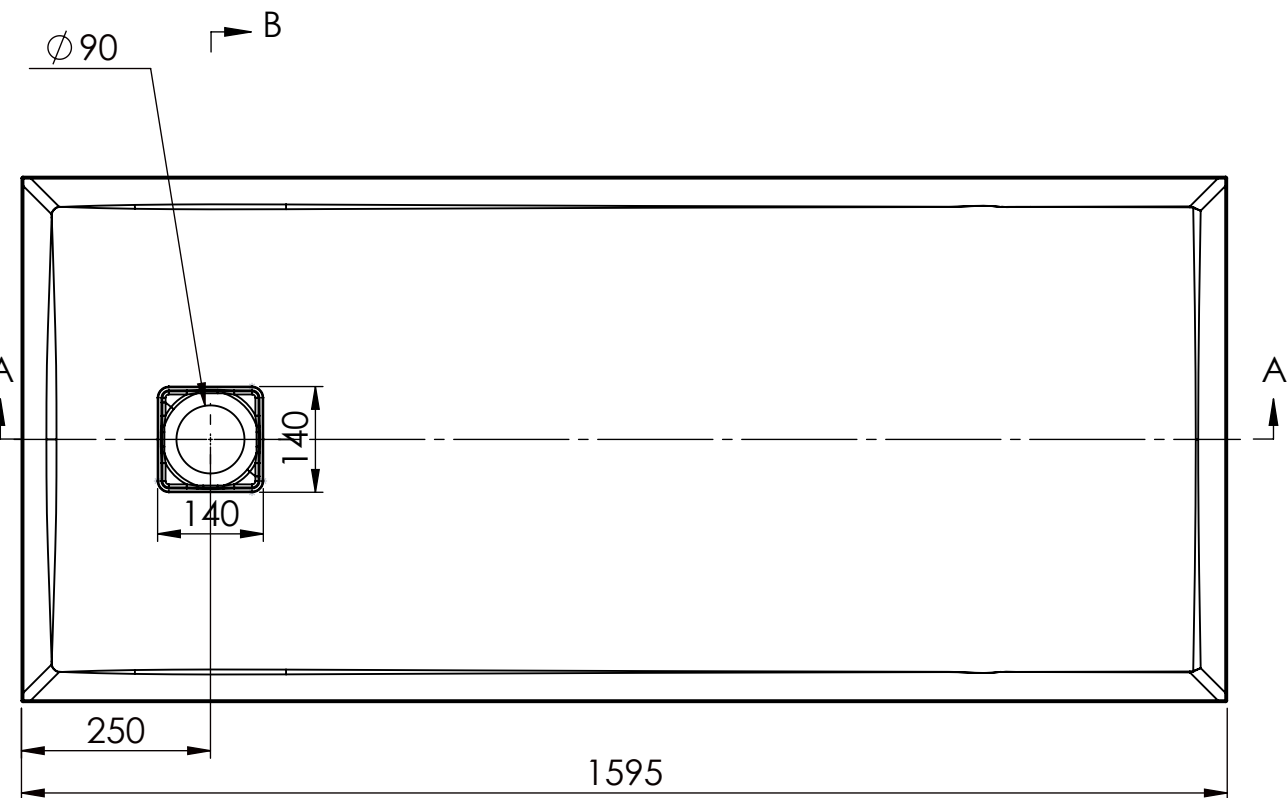
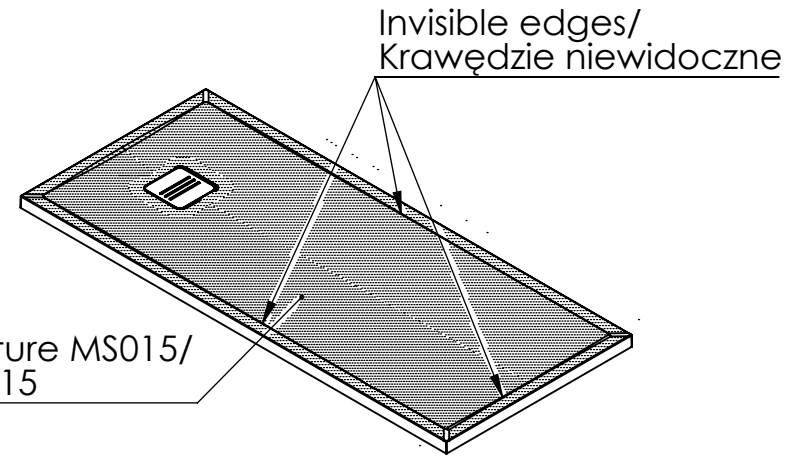
ACCESORIEST LIST

ART NO.	NAME	QUANTITY	NOTE
ZP180305G0140	Cover	1	
xxxxx	Instruction	1	

This document must not be copied without our written permission, and the contents thereof must not be imparted to a third party nor be used for any unauthorized purpose. Contravention will be prosecuted.

Drawn by	Created Date	Checked by Zbigniew P	Art. Name: REMIX 1400x900 OM			
			Art. No: RB180612B14009			
			Project status Approved	Sheet Size A3	Scale 1:5	

Rev	Design Change Note	Author	Date
A	Internal validation	RB	2018-06-12
001	First issue - proposal	RB	2018-06-15



Notes/Uwagi:

1. Steel plate - see drawing ZP180305G0140/Metalowa przykrywka - patrz rysunek ZP180305G0140

Approved 19/06/2018

Tolerance length/width	+5/0 mm	Drawn by	Rafal B	Created Date	2018-06-12	Checked by	Zbigniew P	Art. Name:	REMIX 1600x700 OM
Tolerance height	+2/-2 mm	Project status	Approved	Client	LEROY MERLIN	Art. No.:	RB180612B16007	Mould No.:	XXXX
Tolerance plane bending	≤1200 mm +2/-2 mm ≥1200 mm +3/-3 mm	Customer ID:	XXXX	Material volume [mm³]	34730851	Overflow	No	Taphole	0
Tolerance thickness	+2/-2 mm	Main dimensions L x W / H [mm]	1600 x 700 / 43	Surface area [mm²]	2382576	Scale	1:10	Drain	Cover
Tolerance grinding	+2/0 mm	Sheet Size	A3	Current revision	001				
Tolerance feet location	+7/-7 mm								
Tolerance holes location	+2/-2 mm								
Tolerance holes diameter	+1/-1 mm								

This document must not be copied without our written permission, and the contents thereof must not be imparted to a third party nor be used for any unauthorized purpose. Contravention will be prosecuted.

A

B

C

D

E

F

A

B

C

D



E

F

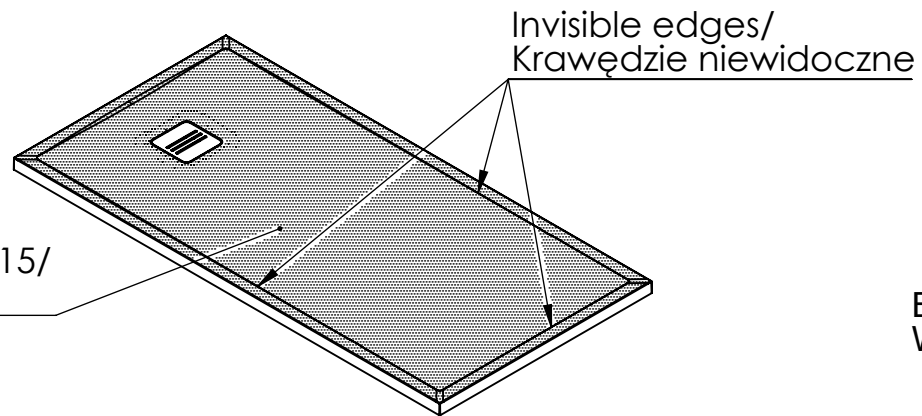
ACCESORIEST LIST

ART NO.	NAME	QUANTITY	NOTE
ZP180305G0140	Cover	1	
xxxxx	Instruction	1	

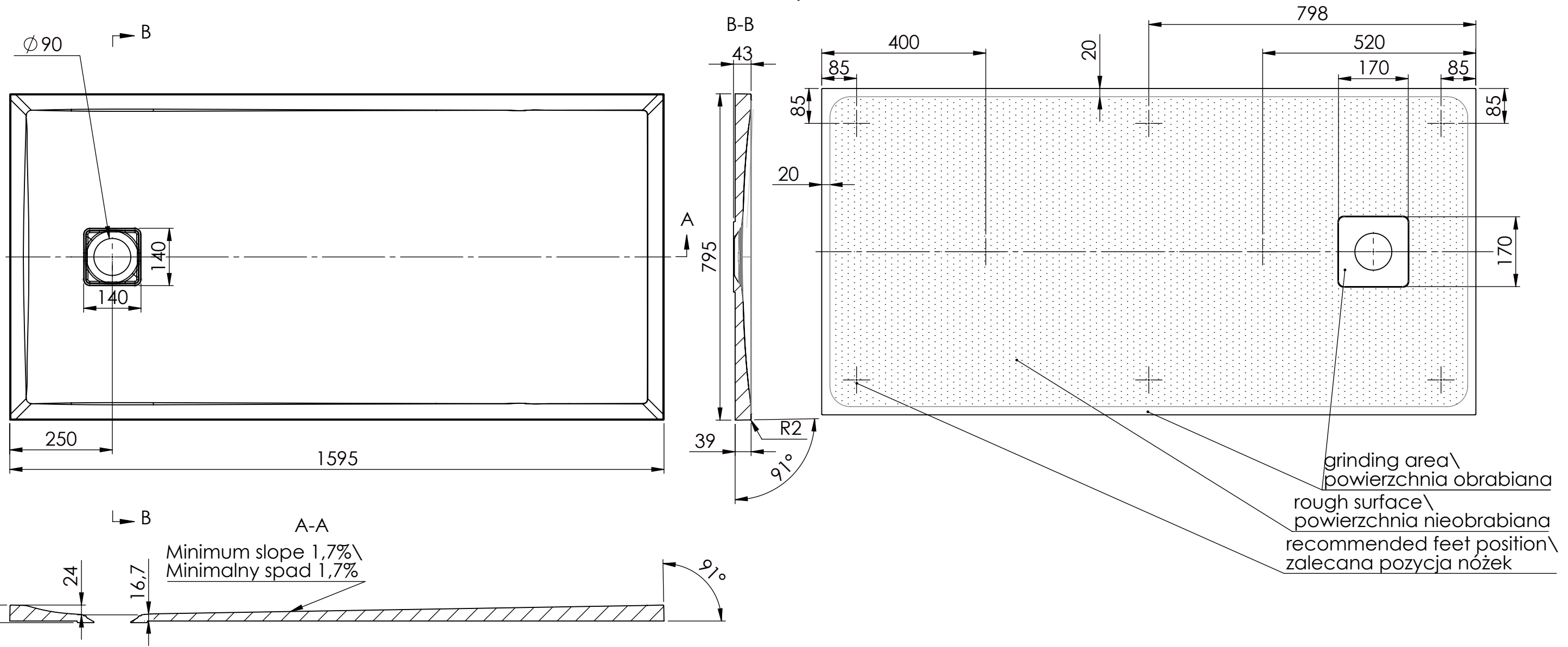
This document must not be copied without our written permission, and the contents thereof must not be imparted to a third party nor be used for any unauthorized purpose. Contravention will be prosecuted.

Drawn by	Created Date	Checked by Zbigniew P	Art. Name: REMIX 1600x700 OM			
			Art. No: RB180612B16007			
			Project status Approved	Sheet Size A3	Scale 1:5	

Rev	Design Change Note	Author	Date
A	Internal validation	RB	2018-06-12
001	First issue - proposal	RB	2018-06-15



Bottom view - feet position/
Widok z dołu - rozstaw stóp



Notes/Uwagi:

1. Steel plate - see drawing ZP180305G0140/Metalowa przykrywka - patrz rysunek ZP180305G0140

Approved 18/06/2018

Tolerance length/width	+5/0 mm	Drawn by	Created Date	Checked by	Art. Name: REMIX 1600x800 OM
Tolerance height	+2/-2 mm	Rafal B	2018-06-12	Zbigniew P	Art. No: RB180612B16008
Tolerance plane bending	≤ 1200 mm +2/-2 mm ≥ 1200 mm +3/-3 mm	Project status	Client	Mould No: XXXX	
Tolerance thickness	+2/-2 mm	Approved	LEROY MERLIN	Customer ID: XXXX	
Tolerance grinding	+2/0 mm			Material volume [mm ³]	Overflow
Tolerance feet location	+7/-7 mm			39645504	No
Tolerance holes location	+2/-2 mm	Surface area [mm ²]	Sheet Size	Scale	Main dimensions L x W / H [mm]
Tolerance holes diameter	+1/-1 mm	2708946	A3	1:10	1600 x 800 / 43
					Drain
					Cover
					Current revision
					001

This document must not be copied without our written permission, and the contents thereof must not be imparted to a third party nor be used for any unauthorized purpose. Contravention will be prosecuted.

A

B

C

D

E

F

A

B

C

D



E

F

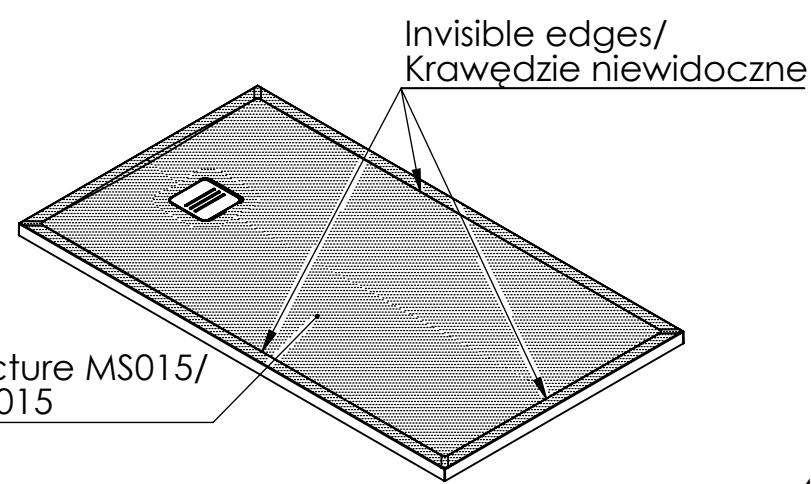
ACCESORIEST LIST

ART NO.	NAME	QUANTITY	NOTE
ZP180305G0140	Cover	1	
xxxxx	Instruction	1	

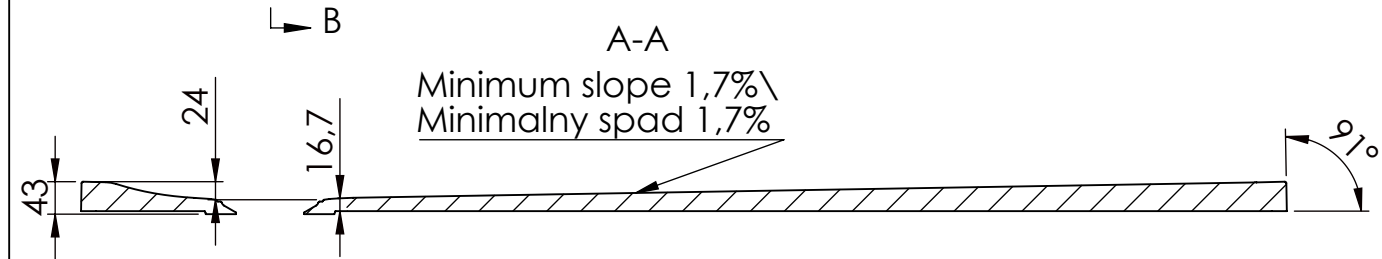
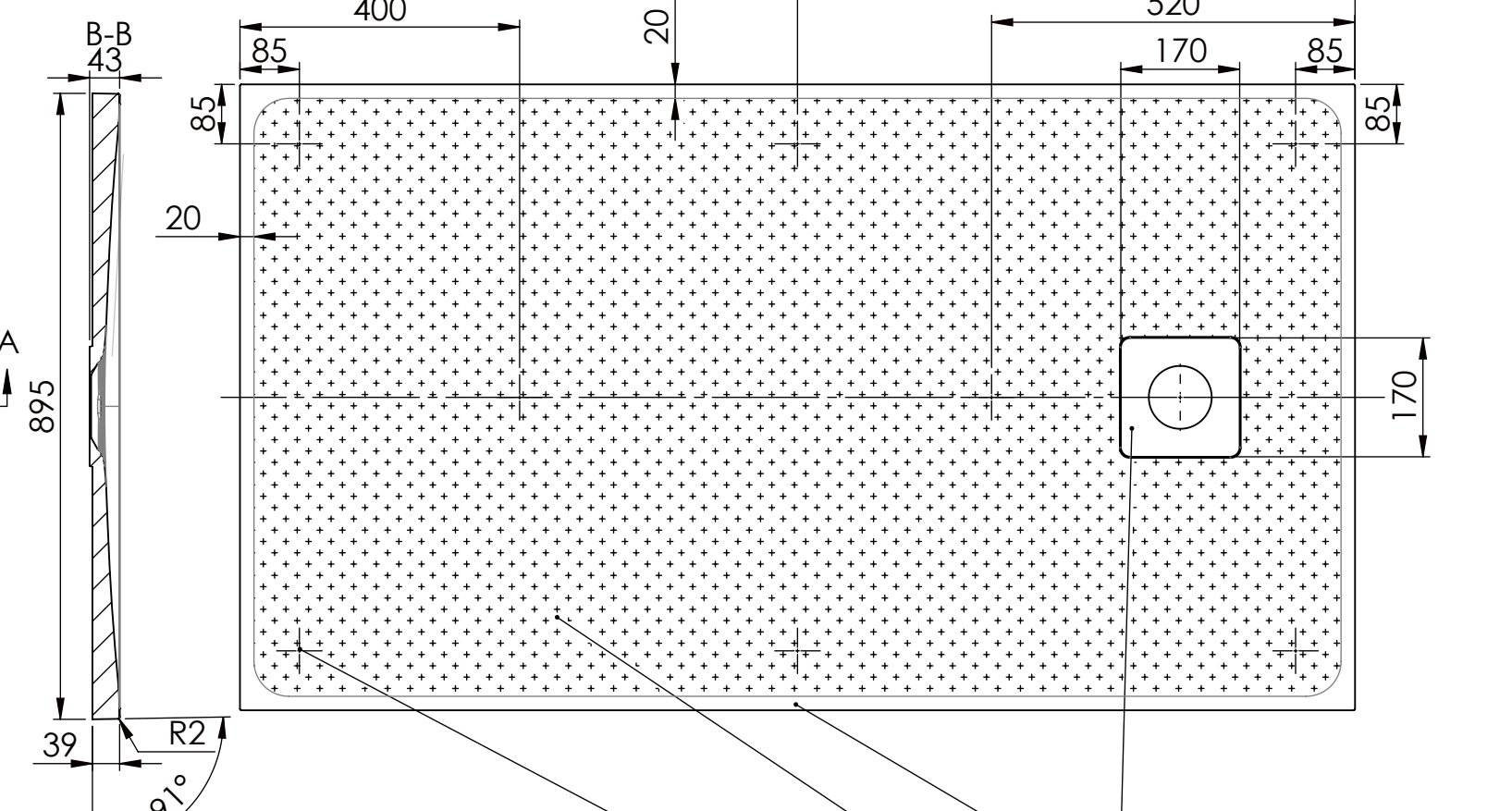
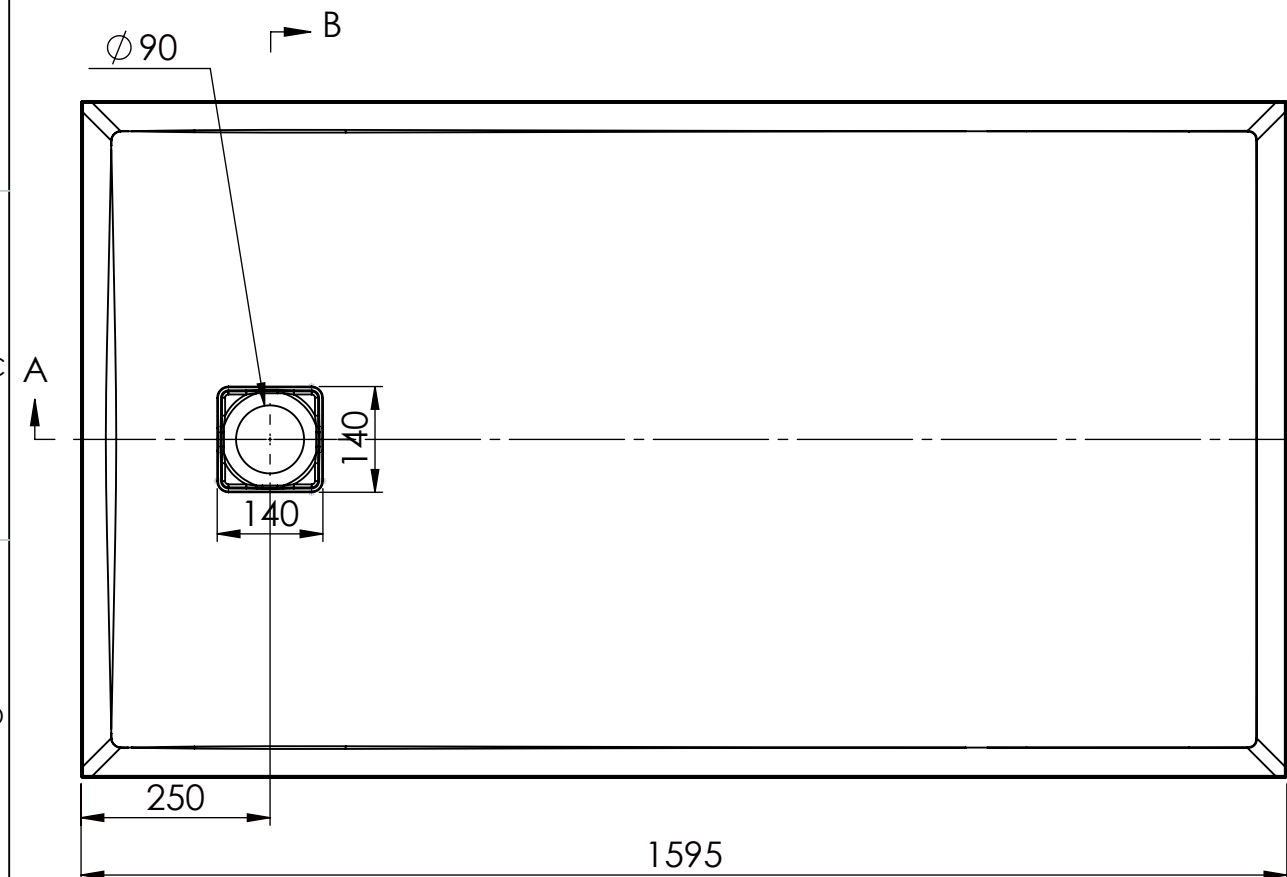
This document must not be copied without our written permission, and the contents thereof must not be imparted to a third party nor be used for any unauthorized purpose. Contravention will be prosecuted.

Drawn by	Created Date	Checked by Zbigniew P	Art. Name: REMIX 1600x800 OM			
			Art. No: RB180612B16008			
			Project status Approved	Sheet Size A3	Scale 1:5	

Rev	Design Change Note	Author	Date
A	Internal validation	RB	2018-06-12
001	First issue - proposal	RB	2018-06-15



Bottom view - feet position/
Widok z dołu - rozstaw stóp

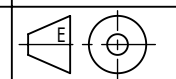


Notes/Uwagi:

1. Steel plate - see drawing ZP180305G0140/Metalowa przykrywka - patrz rysunek ZP180305G0140

Approved 19/06/2018

Tolerance length/width	+5/0 mm	Drawn by	Created Date	Checked by	Art. Name: REMIX 1600x900 OM
Tolerance height	+2/-2 mm	Rafal B	2018-06-12	Zbigniew P	Art. No: RB180612B16009
Tolerance plane bending	<1200 mm +2/-2 mm ≥1200 mm +3/-3 mm	Project status	Client	Mould No: XXXX	
Tolerance thickness	+2/-2 mm	Approved	LEROY MERLIN	Customer ID: XXXX	
Tolerance grinding	+2/0 mm			Material volume[mm³]	Overflow
Tolerance feet location	+7/-7 mm			45007933	No
Tolerance holes location	+2/-2 mm			Surface area[mm²]	Tap hole
Tolerance holes diameter	+1/-1 mm			3035274	0
					1600 x 900 / 43
			Scale	Main dimensions L x W / H (mm)	Drain
			A3	1:10	Cover
				Current revision	
				001	



This document must not be copied without our written permission, and the contents thereof must not be imparted to a third party nor be used for any unauthorized purpose. Contravention will be prosecuted.

1 2 3 4 5 6 7 8

A

A

ACCESORIEST LIST			
ART NO.	NAME	QUANTITY	NOTE
ZP180305G0140	Cover	1	
xxxxx	Instruction	1	

B

B

C

C

D

D



E

E

F

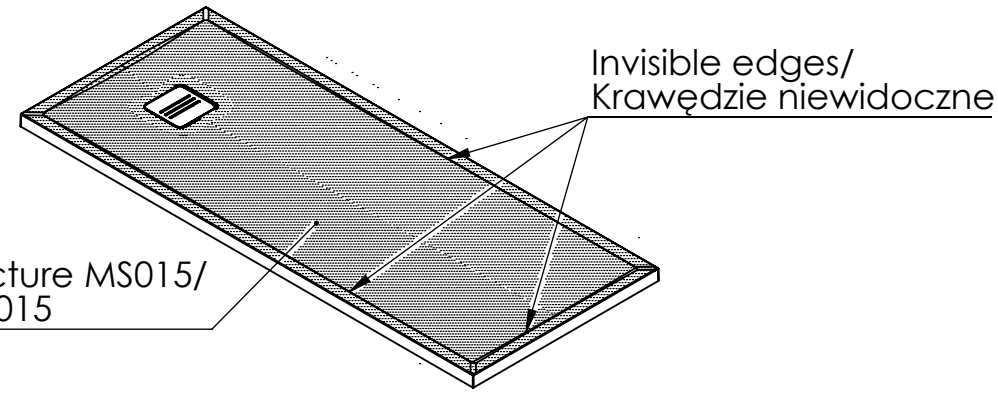
F

This document must not be copied without our written permission, and the contents thereof must not be imparted to a third party nor be used for any unauthorized purpose. Contravention will be prosecuted.

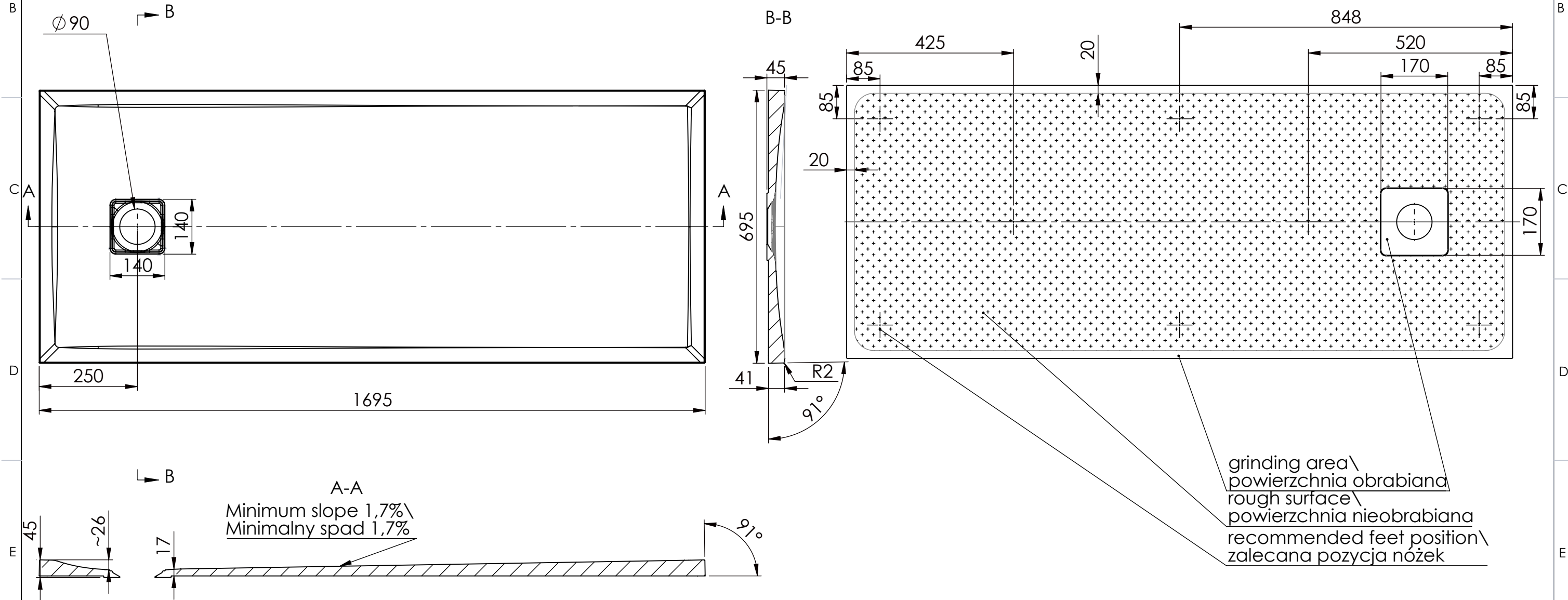
Drawn by	Created Date	Checked by Zbigniew P	Art. Name: REMIX 1600x900 OM			
			Art. No: RB180612B16009			
			Project status Approved	Sheet Size A3	Scale 1:5	

1 2 3 4 5 6 7 8

Rev	Design Change Note	Author	Date
A	Internal validation	RB	2018-06-12
001	First issue - proposal	RB	2018-06-15



Bottom view - feet position/
Widok z dołu - rozstaw stópek



Notes/Uwagi:

1. Steel plate - see drawing ZP180305G0140/Metalowa przykrywka - patrz rysunek ZP180305G0140

Tolerance length/width	+5/0 mm	Drawn by	Created Date	Checked by	Art. Name: REMIX 1700x700 OM
Tolerance height	+2/-2 mm	Rafal B	2018-06-12	Zbigniew P	Art. No: RB180612B17007
Tolerance plane bending	<1200 mm +2/-2 mm ≥1200 mm +3/-3 mm	Project status	Client	Mould No: XXXX	
Tolerance thickness	+2/-2 mm	Approved	LEROY MERLIN	Customer ID: XXXX	
Tolerance grinding	+2/0 mm			Material volume [mm³]	Overflow
Tolerance feet location	+7/-7 mm			38701017	No
Tolerance holes location	+2/-2 mm			Tap hole	0
Tolerance holes diameter	+1/-1 mm			Main dimensions L x W / H [mm]	1700 x 700 / 45
				Drain	Cover
				Surface area [mm²]	2538859
				Sheet Size	A3
				Scale	1:10
				Current revision	001

Approved Mde
19/06/2018

This document must not be copied without our written permission, and the contents thereof must not be imparted to a third party nor be used for any unauthorized purpose. Contravention will be prosecuted.

A

B

C

D

E

F

A

B

C



D

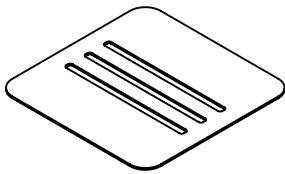
E

F

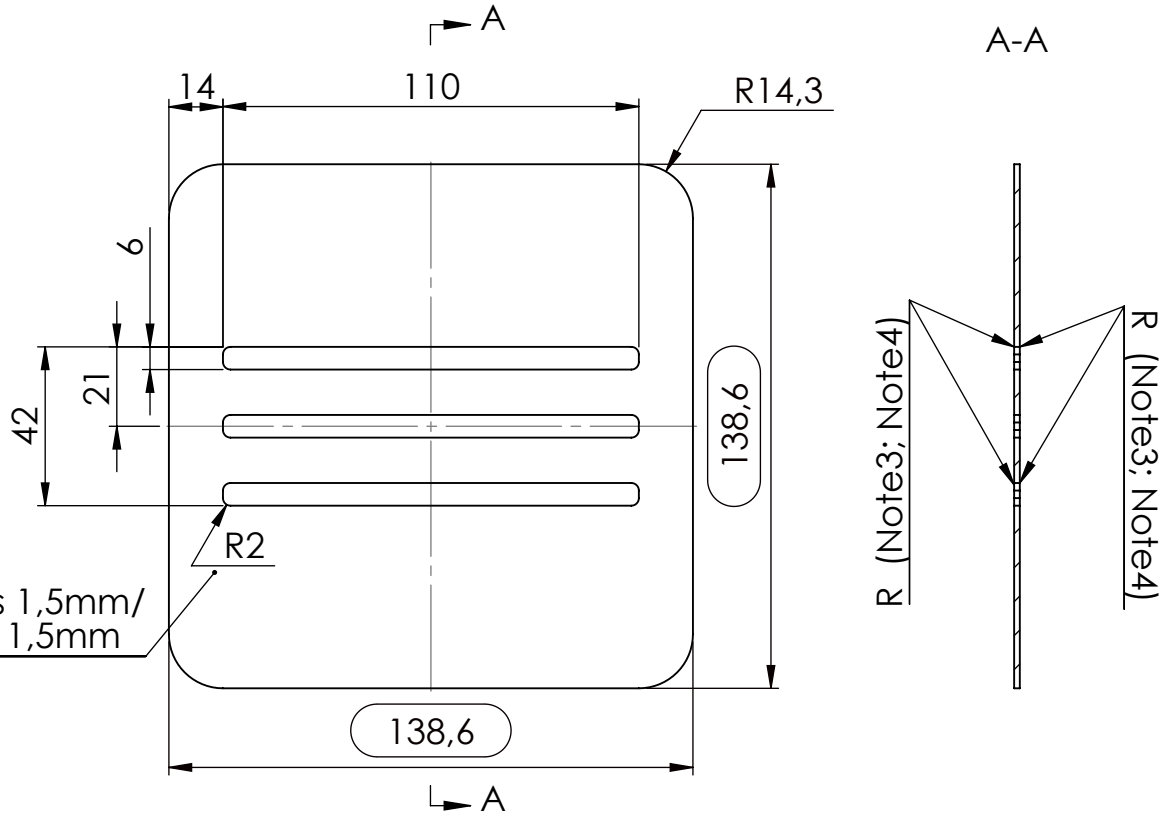
ACCESORIEST LIST			
ART NO.	NAME	QUANTITY	NOTE
ZP180305G0140	Cover	1	
xxxxx	Instruction	1	

This document must not be copied without our written permission, and the contents thereof must not be imparted to a third party nor be used for any unauthorized purpose. Contravention will be prosecuted.

Drawn by	Created Date	Checked by Zbigniew P	Art. Name: REMIX 1700x700 OM			
			Art. No: RB180612B17007			
			Project status Approved	Sheet Size A3	Scale 1:5	



Rev	Design Change Note	Author	Date
A	Internal validation	ZP	2018-04-19
001	First issue - proposal	RB	2018-06-19
002	Approved by client	RB	2018-07-04



Notes/Uwagi:

1. General tolerance DIN ISO 2768-mK applies, if the tolerance of drawing is not indicated
2. Material: Steiness steel AISI 304 PN-EN 10088-1BA
3. Finishing edges according to Norm PN-EN 71-1:2015-01; Sharp edges will be break with a minim radius 0,2mm
4. Radius according to "golden sample"
5. Quality of top surface according to "golden sample"
6. Quality of bottom surface according to "golden sample"
7. Quality of edges according to "golden sample"
8. Quality and position of Logo according to "golden sample"
9. Key dimension in brackets

Tolerance length	+0,2/-0,2 mm
Tolerance width	+0,2/-0,2 mm
Tolerance height	+0,2/-0,2 mm
Tolerance plane bending	+0,2/-0,2 mm

Drawn by Zbigniew P	Created Date 2018-03-05	Checked by Rafal B	Art. Name: PLATE REMIX		Mould No: 103300000055	
Project status Approved	Client LEROY MERLIN		Art. No: 103300000055		Customer ID: 3127	
		Material volume[mm ³]	Overflow	Taphole	Main dimensions L x W / H [mm]	Drain
		25597			138,6 x 138,6 / 1,5	Cover
		Surface area[mm ²]	Sheet Size	Scale	Current revision	
		35953	A4	1:2	002	

ADEO Services
 SERVICE QUALITE
 Rue Sadi Carnot
 CS 00001
 59790 RONCHIN
 FRANCE

A l'attention de KALLEL Hamdi

Aix-en-Provence, le 14 / 09 / 2018

RAPPORT D'ESSAIS TEST REPORT

Page 1 / 3

Référence client Customer reference	GRILLE DE DOUCHE
Référence du rapport Test report reference	AX18-07367.001 / DC18-04104
Bon de commande Order	ACCEPTATION DU DEVIS DC18-04104

Les incertitudes de mesure ne sont pas prises en compte pour conclure sur la conformité des analyses sauf demande spécifique du client
 Uncertainties are not taken into account to define compliance on analysis except specific customer request.



Thierry FREBAULT
 Expert Technique Bricolage Maison
 DIY Homeware Technical Expert

Tel. : +33 4 42 97 72 30
 Fax : +33 4 42 39 40 33



(1) Test subcontracted in a SGS Laboratory. (2) Test subcontracted in a partner laboratory outside SGS group.
 This document is issued by the Company under its General Conditions of Service available on request and accessible at http://www.sgs.com/terms_and_conditions.htm. Attention is drawn to the limitation of liability, indemnification and jurisdiction issues defined therein.
 Any holder of this document is advised that information contained hereon reflects the Company's findings at the time of its intervention only and within the limits of Client's instructions if any. The Company's sole responsibility is to its Client and this document does not exonerate parties to a transaction from exercising all their rights and obligations under the transaction documents.
 Any unauthorized alteration, forgery or falsification of the content or appearance of this document is unlawful and offenders may be prosecuted to the fullest extent of the law.
 Unless otherwise stated the results shown in this test report refer only to the sample(s) tested and such sample(s) are retained for 30 days only. This document shall not be reproduced, except in full, without prior written approval of the Company. It includes 3 page(s).

RAPPORT D'ESSAIS TEST REPORT

Page 2 / 3

Référence client Customer reference	GRILLE DE DOUCHE
--	------------------

Gencod - Gencod	103300000055
-----------------	--------------

Conclusion :

Dans nos conditions de test, les échantillons analysés ne présentent aucun bord coupant et aucune trace de corrosion sur la surface traitée brillante après 200h d'exposition au brouillard salin.

In our test conditions, the tested samples present no sharp edge and no mark of corrosion on the after 200h in salt spray exposition.

Donneur d'ordre - Client	ADEO Services
Designation - Sample Description	STEEL COVER REMIX
Gencod - Gencod	103300000055
Nombre d'échantillons Number of samples	4

(1) Test subcontracted in a SGS Laboratory. (2) Test subcontracted in a partner laboratory outside SGS group.
 This document is issued by the Company under its General Conditions of Service available on request and accessible at http://www.sgs.com/terms_and_conditions.htm. Attention is drawn to the limitation of liability, indemnification and jurisdiction issues defined therein.
 Any holder of this document is advised that information contained hereon reflects the Company's findings at the time of its intervention only and within the limits of Client's instructions if any. The Company's sole responsibility is to its Client and this document does not exonerate parties to a transaction from exercising all their rights and obligations under the transaction documents.
 Any unauthorized alteration, forgery or falsification of the content or appearance of this document is unlawful and offenders may be prosecuted to the fullest extent of the law.
 Unless otherwise stated the results shown in this test report refer only to the sample(s) tested and such sample(s) are retained for 30 days only. This document shall not be reproduced, except in full, without prior written approval of the Company. It includes 3 page(s).

RAPPORT D'ESSAIS TEST REPORT

Page 3 / 3

Référence client GRILLE DE DOUCHE

Customer reference

Gencod - Gencod 103300000055

ANALYSE	METHODE	RESULTATS	UNITE	SPECIFICATIONS			Statut
				MINI	CIBLE	MAXI	
PERFORMANCES D'USAGE /OPERATING PERFORMANCE Performance d'usage / Operating performance	SGS interne	Voir annexe / See appendix					

P : Pass ; F : Fail ; NA : Not Applicable ; NT : Not Tested ; n.d : Not Detected

(1) Test subcontracted in a SGS Laboratory. (2) Test subcontracted in a partner laboratory outside SGS group.

This document is issued by the Company under its General Conditions of Service available on request and accessible at http://www.sgs.com/terms_and_conditions.htm. Attention is drawn to the limitation of liability, indemnification and jurisdiction issues defined therein.

Any holder of this document is advised that information contained hereon reflects the Company's findings at the time of its intervention only and within the limits of Client's instructions if any. The Company's sole responsibility is to its Client and this document does not exonerate parties to a transaction from exercising all their rights and obligations under the transaction documents.

Any unauthorized alteration, forgery or falsification of the content or appearance of this document is unlawful and offenders may be prosecuted to the fullest extent of the law.

Unless otherwise stated the results shown in this test report refer only to the sample(s) tested and such sample(s) are retained for 30 days only. This document shall not be reproduced, except in full, without prior written approval of the Company. It includes 3 page(s).

Annexe / Appendix

AX18-07367

Le présent rapport est émis par la société conformément à ses conditions générales de service disponibles sur demande et accessibles sur http://www.sgs.com/terms_and_conditions.htm.

Nous attirons votre attention sur les clauses de limitation de responsabilité, d'indemnisation et de compétence judiciaire figurant dans nos conditions générales de service.

Tout autre détenteur de ce rapport est informé que son contenu reflète uniquement les faits tels qu'ils sont relevés par la société au moment de son intervention uniquement et le cas échéant dans la limite des instructions reçues par son client. La société n'est tenue responsable qu'envers son client. Ce rapport ne saurait exonérer toute partie à une transaction d'exercer pleinement tous ses droits et remplir ses obligations légales et contractuelles.

Toute modification ou reproduction non autorisée ainsi que toute falsification du contenu de ce rapport ou de son apparence est strictement interdite et fera l'objet de poursuites judiciaires dans l'entière mesure autorisée par la loi ».

A moins que cela ne soit précisé, les résultats de ce rapport ne concernent que le(s) échantillon(s) testé(s) et ces échantillons ne seront conservés que pour une période de 30 jours. Ce document ne doit pas être reproduit, sinon en entier, sans accord préalablement écrit de la Société. Pour les clauses énoncées ci-dessus, la version en anglais ci-après fait foi.

This document is issued by the Company under its General Conditions of Service available on request and accessible at http://www.sgs.com/terms_and_conditions.htm. Attention is drawn to the limitation of liability, indemnification and jurisdiction issues defined therein.

Any holder of this document is advised that information contained hereon reflects the Company's findings at the time of its intervention only and within the limits of Client's instructions, if any. The Company's sole responsibility is to its Client and this document does not exonerate parties to a transaction from exercising all their rights and obligations under the transaction documents.

Any unauthorized alteration, forgery or falsification of the content or appearance of this document is unlawful and offenders may be prosecuted to the fullest extent of the law.

Unless otherwise stated the results shown in this test report refer only to the sample(s) tested and such sample(s) are retained for 30 days only. This document shall not be reproduced, except in full, without prior written approval of the Company.

Test		Méthodes / Methods	Résultats / Results	Spécifications / Specifications
ESSAI DE SÉCURITÉ: BORDS COUPANTS / SAFETY TEST: SHARP EDGES		EN 71	Satisfaisant / Pass	Absence de bords coupants / No sharp edges
	Temps / Time (heure / hour)	NF EN ISO 9227 (NSS)	200	/
	Classe de protection / Protection class		10	> 9
	Observations de la surface comportant des défauts (A en %) / Observations of surface with defects (A in %)	NF EN ISO 10289	Aucun défauts / No defects	$0 < A \leq 0.1$
RESISTANCE A LA CORROSION / CORROSION RESISTANCE	Photo / Picture	