

# Technical Drawing

Supplier Name	NINGBO KANGJU METAL PRODUCTS CO.,LTD
Version No.	STL-1
Product Range	STYLE

No.	ADEO Ref	EAN Code	No.	ADEO Ref	EAN Code
1	845256	3276000463146	22		
2			23		
3			24		
4			25		
5			26		
6			27		
7			28		
8			29		
9			30		
10			31		
11			32		
12			33		
13			34		
14			35		
15			36		
16			37		
17			38		
18			39		
19			40		
20			41		
21			42		

# Technical Drawing Revision History

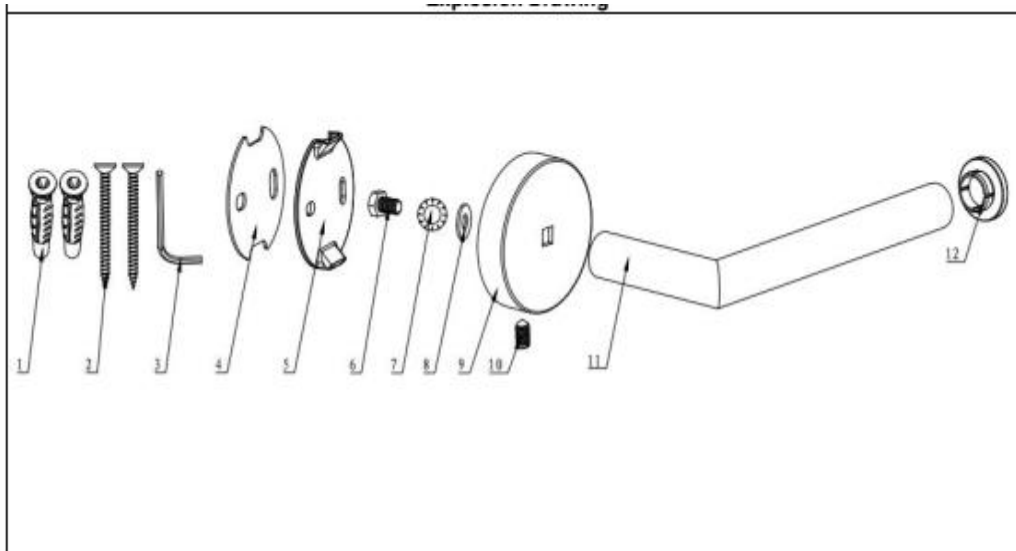
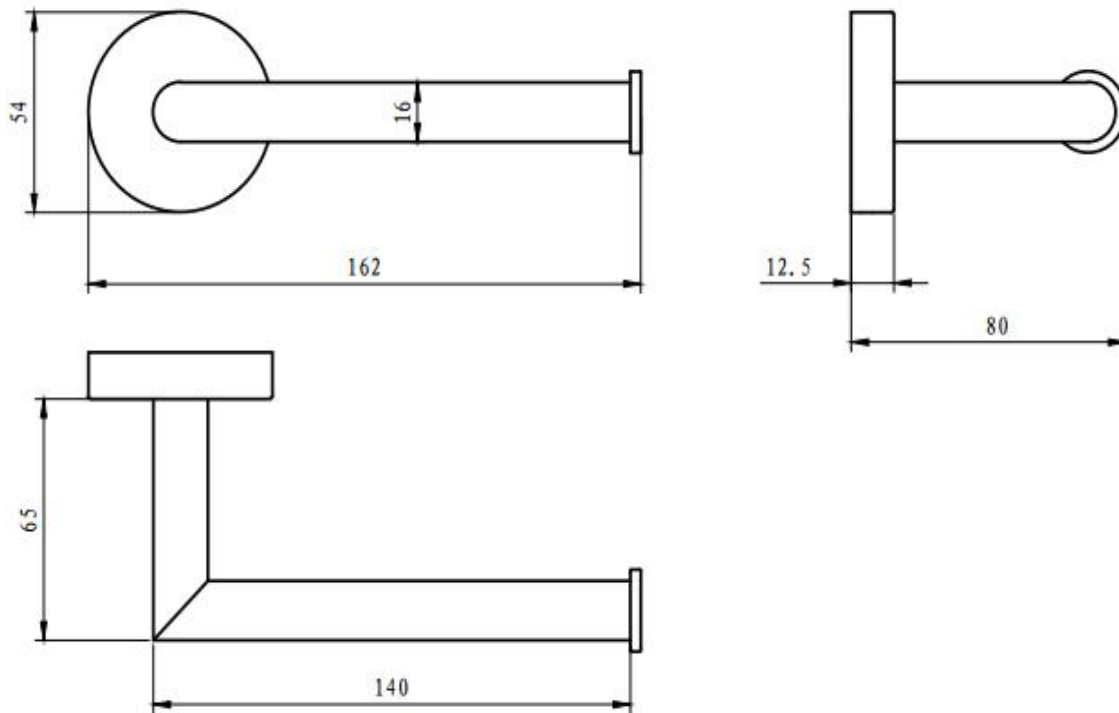
Supplier Name	NINGBO KANGJU METAL PRODUCTS CO.,LTD
Product Range	STYLE

Date	Version No.	Increase / Modify/	Revision Point	Reason for Revision	Confirmed by
13-Aug-2018	STL-1				

**Version No.:** STL-1

**Measurement :** 162\*80\*54 mm  $\pm$  3 mm

**Weight:** 159 g  $\pm$  7.95 g



Parts No.	Quantity	Spec	Material & Surface process
1	2	ANCHORING,6X40MM	PP PLASTIC
2	2	SCREW, ST4.0X50MM	STEEL,ZINC PLATED
3	1	WRENCH,2.5MM	STEEL,ZINC PLATED
4	1	3M STICKER PAD,D-52MM	PE FOAM
5	1	WALL PLATE,D-53MM	STEEL,ZINC PLATED
6	1	SCREW, M5X8MM	STEEL,ZINC PLATED
7	1	SCREW PAD,M5	SUS 201
8	1	SCREW PAD,M5	STEEL,ZINC PLATED
9	1	BASE,D-54MM	ZINC,CHROME
10	1	TIGHTEN SCREW,M5X10	SUS 201
11	1	BAR,D-16MM,140X65MM	SUS 201
12	1	CAP,D-16MM	BRASS,CHROME