

Technical Drawing

Supplier Name	NINGBO KANGJU METAL PRODUCTS CO.,LTD
Version No.	SPRG-1
Product Range	SPRING

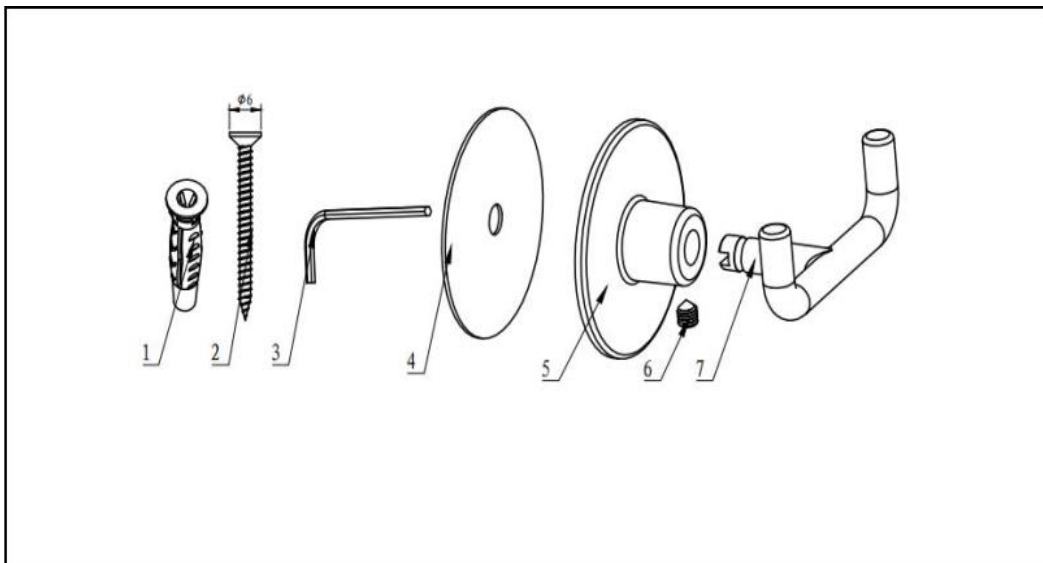
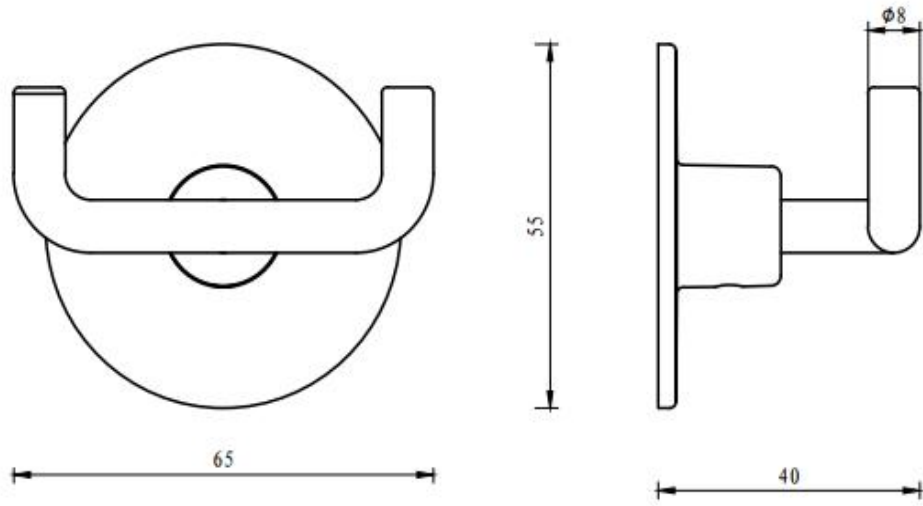
No.	ADEO Ref	EAN Code	No.	ADEO Ref	EAN Code
1	845955	3276000455363	22		
2			23		
3			24		
4			25		
5			26		
6			27		
7			28		
8			29		
9			30		
10			31		
11			32		
12			33		
13			34		
14			35		
15			36		
16			37		
17			38		
18			39		
19			40		
20			41		
21			42		

Technical Drawing Revision History

Supplier Name	NINGBO KANGJU METAL PRODUCTS CO.,LTD
Product Range	SPRING

Date	Version No.	Increase / Modify/	Revision Point	Reason for Revision	Confirmed by
13/Aug/2018	SPRG-1				

Version No.: SPRG-1
 Measurement : 65*55*40 mm \pm 3 mm
 Weight: 92 g \pm 4.60 g



Parts No.	Quantity	Spec	Material & Surface process
1	1	Anchoring, ϕ 6X40mm	plastic
2	1	tapping screw, ST3.9X 40mm	steel,zinc plated
3	1	allen wrench,D-2.5mm	steel,zinc plated
4	1	PE Foam	PE
5	1	Base	zinc alloy ,chrome
6	1	Tighten screw , M5x5mm	SS201
7	1	hook	zinc alloy ,chrome