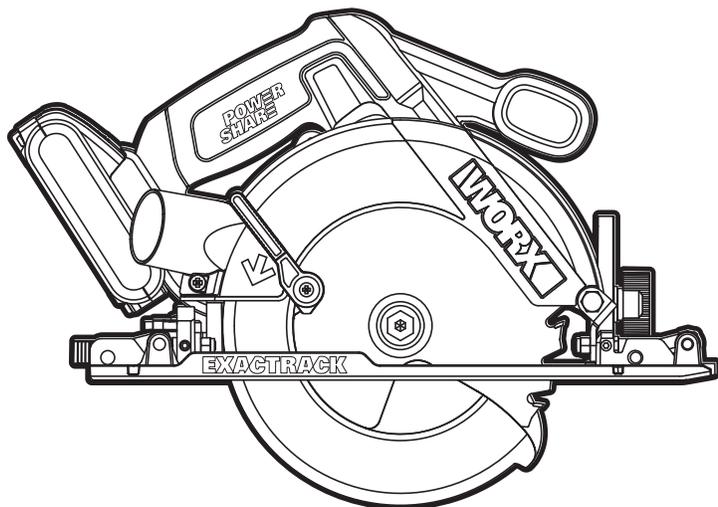


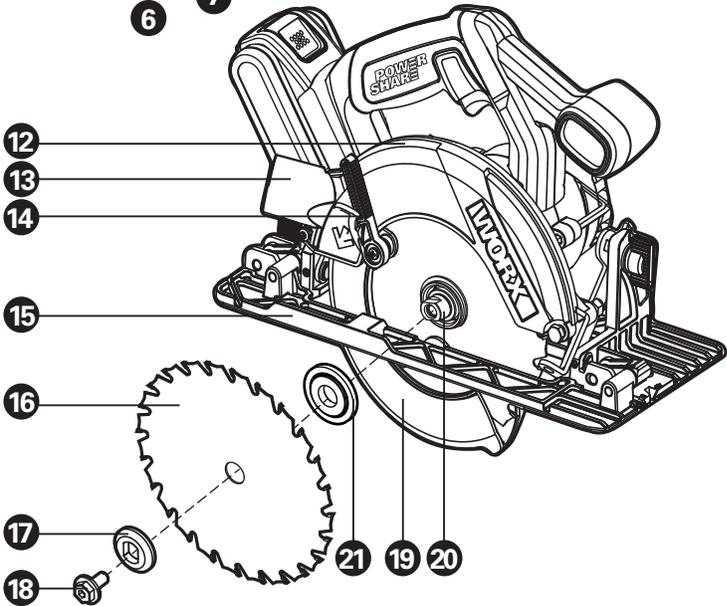
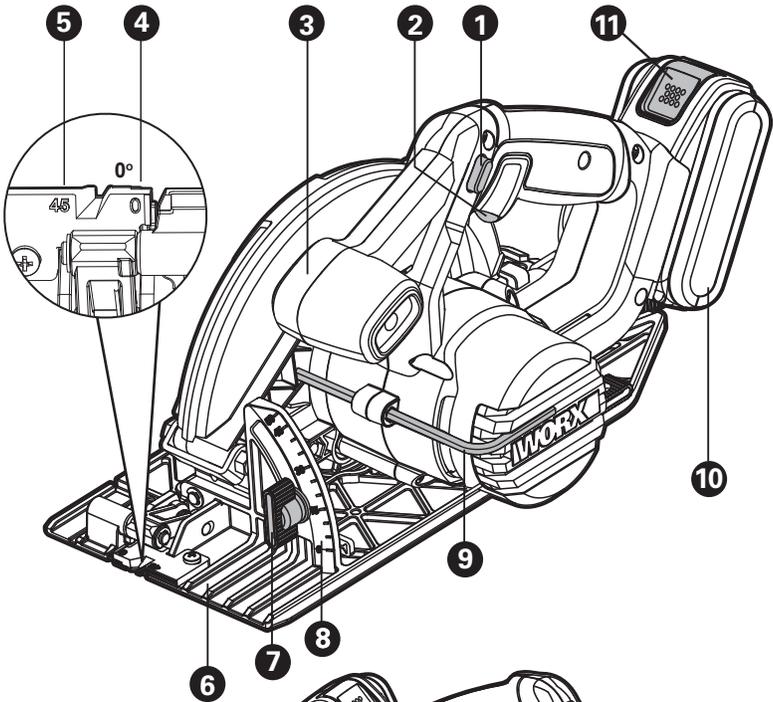
# WORX®

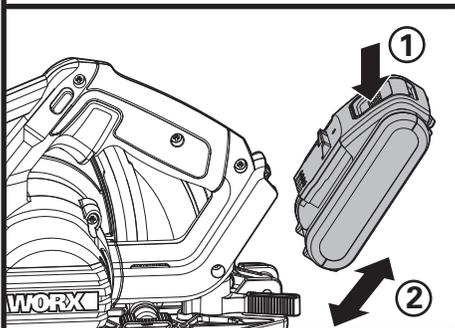
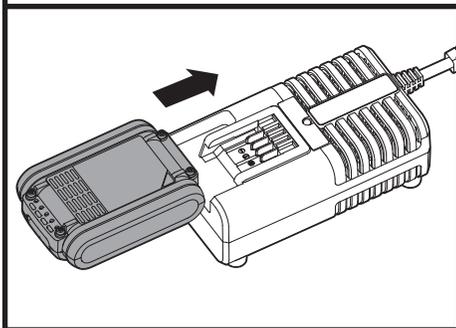
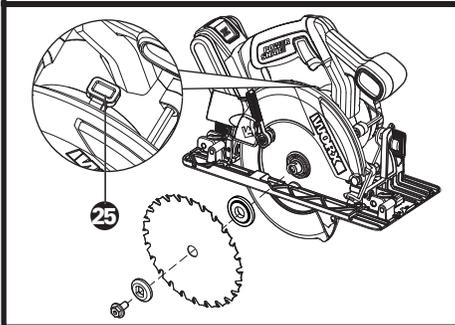
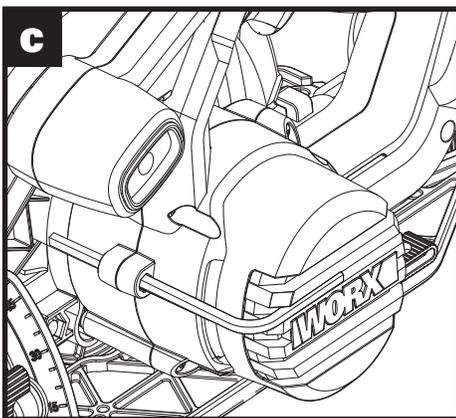
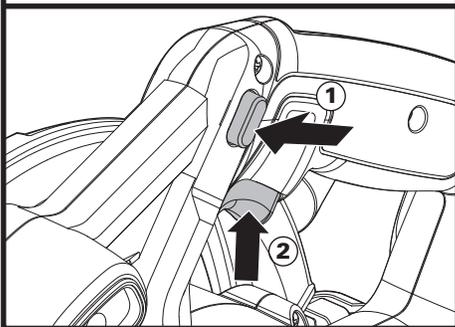
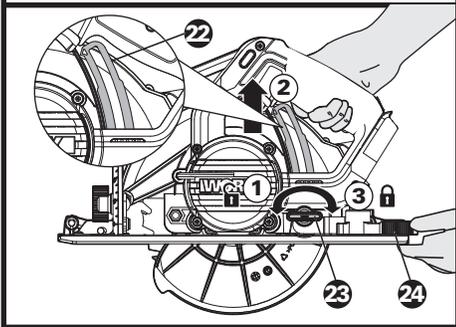


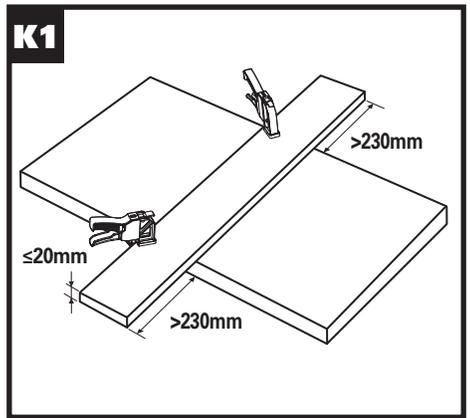
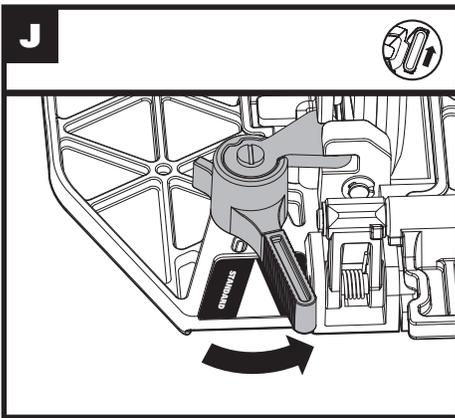
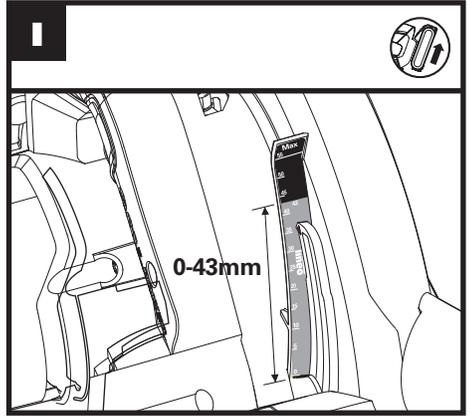
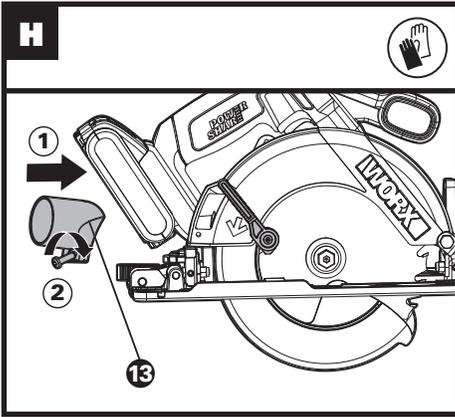
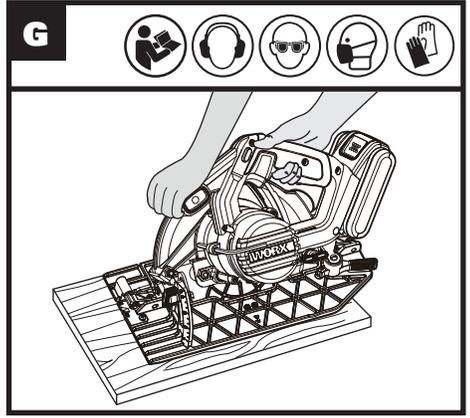
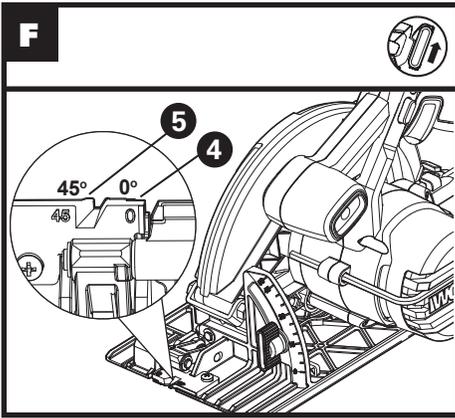
<b>Cordless Circular Saw</b>	<b>EN</b>	<b>P07</b>
<b>Akku-Handkreissäge</b>	<b>D</b>	<b>P15</b>
<b>Scie circulaire sans fil</b>	<b>F</b>	<b>P24</b>
<b>Sega circolare a batteria</b>	<b>I</b>	<b>P33</b>
<b>Sierra circular inalámbrica</b>	<b>ES</b>	<b>P42</b>
<b>Draadloze cirkelzaag</b>	<b>NL</b>	<b>P51</b>
<b>Bezprzewodowa piła tarczowa</b>	<b>PL</b>	<b>P60</b>
<b>Akkus körfűrész</b>	<b>HU</b>	<b>P69</b>
<b>Ferăstrău circular cu acumulator</b>	<b>RO</b>	<b>P78</b>
<b>Akumulátorová kotoučová pila</b>	<b>CZ</b>	<b>P87</b>
<b>Akumulátorová kotúčová pila</b>	<b>SK</b>	<b>P96</b>
<b>Serra Circular Sem Fios</b>	<b>PT</b>	<b>P105</b>
<b>Sladdlös cirkelsåg</b>	<b>SV</b>	<b>P114</b>
<b>Brezžična krožna žaga</b>	<b>SL</b>	<b>P122</b>

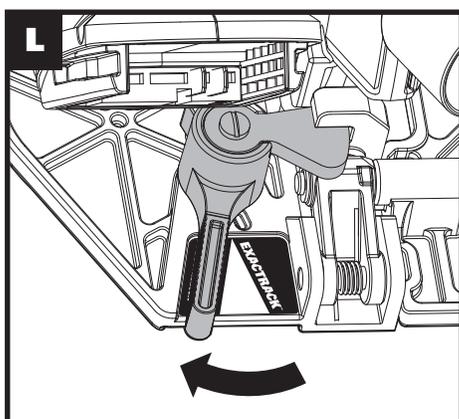
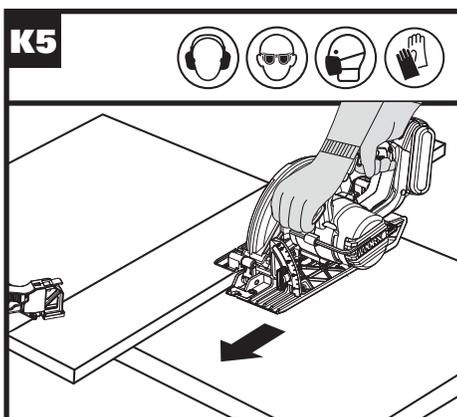
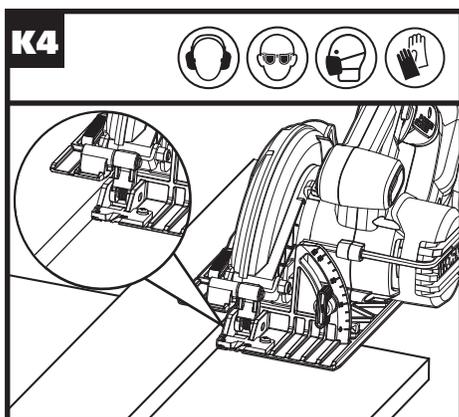
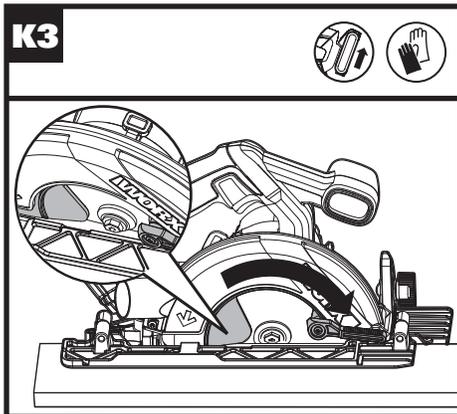
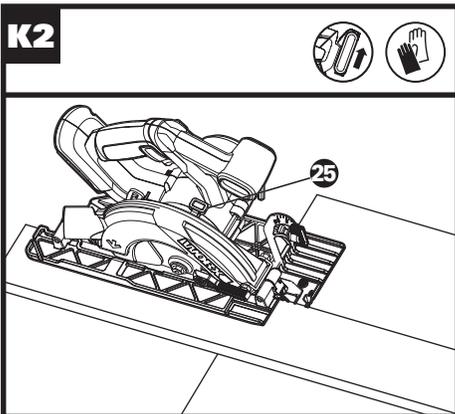
## WX530 WX530.1 WX530.9

<b>Original instructions</b>	<b>EN</b>
<b>Originalbetriebsanleitung</b>	<b>D</b>
<b>Notice originale</b>	<b>F</b>
<b>Istruzioni originali</b>	<b>I</b>
<b>Manual original</b>	<b>ES</b>
<b>Oorspronkelijke gebruiksaanwijzing</b>	<b>NL</b>
<b>Instrukcja oryginalna</b>	<b>PL</b>
<b>Eredeti használati utasítás</b>	<b>HU</b>
<b>Instrucțiuni originale</b>	<b>RO</b>
<b>Původní návod k používání</b>	<b>CZ</b>
<b>Pôvodný návod na použitie</b>	<b>SK</b>
<b>Manual original</b>	<b>PT</b>
<b>Bruksanvisning i original</b>	<b>SV</b>
<b>Izvirna navodila</b>	<b>SL</b>



**A1****A2****B****C****D****E**





# PRODUCT SAFETY

## GENERAL POWER TOOL

### SAFETY WARNINGS

 **WARNING: Read all safety warnings, instructions, illustrations and specifications provided with this power tool.** Failure to follow all instructions listed below may result in electric shock, fire and/or serious injury.

**Save all warnings and instructions for future reference.**

The term “power tool” in the warnings refers to your mains-operated (corded) power tool or battery-operated (cordless) power tool.

#### 1. WORK AREA SAFETY

- a) **Keep work area clean and well lit.** Cluttered or dark areas invite accidents.
- b) **Do not operate power tools in explosive atmospheres, such as in the presence of flammable liquids, gases or dust.** Power tools create sparks which may ignite the dust or fumes.
- c) **Keep children and bystanders away while operating a power tool.** Distractions can cause you to lose control.

#### 2. ELECTRICAL SAFETY

- a) **Power tool plugs must match the outlet. Never modify the plug in any way. Do not use any adapter plugs with earthed (grounded) power tools.** Unmodified plugs and matching outlets will reduce risk of electric shock.
- b) **Avoid body contact with earthed or grounded surfaces, such as pipes, radiators, ranges and refrigerators.** There is an increased risk of electric shock if your body is earthed or grounded.
- c) **Do not expose power tools to rain or wet conditions.** Water entering a power tool will increase the risk of electric shock.
- d) **Do not abuse the cord. Never use the cord for carrying, pulling or unplugging the power tool. Keep cord away from heat, oil, sharp edges or moving parts.** Damaged or entangled cords increase the risk of electric shock.
- e) **When operating a power tool outdoors, use an extension cord suitable for outdoor use.** Use of a cord suitable for outdoor use reduces the risk of electric shock.
- f) **If operating a power tool in a damp location is unavoidable, use a residual current device (RCD) protected supply.** Use of an RCD reduces the risk of electric shock.

#### 3. PERSONAL SAFETY

- a) **Stay alert, watch what you are doing and use common sense when operating**

**a power tool. Do not use a power tool while you are tired or under the influence of drugs, alcohol or medication.** A moment of inattention while operating power tools may result in serious personal injury.

- b) **Use personal protective equipment. Always wear eye protection.** Protective equipment such as dust mask, non-skid safety shoes, hard hat, or hearing protection used for appropriate conditions will reduce personal injuries.
- c) **Prevent unintentional starting. Ensure the switch is in the off-position before connecting to power source and/or battery pack, picking up or carrying the tool.** Carrying power tools with your finger on the switch or energising power tools that have the switch on invites accidents.
- d) **Remove any adjusting key or wrench before turning the power tool on.** A wrench or a key left attached to a rotating part of the power tool may result in personal injury.
- e) **Do not overreach. Keep proper footing and balance at all times.** This enables better control of the power tool in unexpected situations.
- f) **Dress properly. Do not wear loose clothing or jewellery. Keep your hair and clothing away from moving parts.** Loose clothes, jewellery or long hair can be caught in moving parts.
- g) **If devices are provided for the connection of dust extraction and collection facilities, ensure these are connected and properly used.** Use of dust collection can reduce dust-related hazards.
- h) **Do not let familiarity gained from frequent use of tools allow you to become complacent and ignore tool safety principles.** A careless action can cause severe injury within a fraction of a second.

#### 4. POWER TOOL USE AND CARE

- a) **Do not force the power tool. Use the correct power tool for your application.** The correct power tool will do the job better and safer at the rate for which it was designed.
- b) **Do not use the power tool if the switch does not turn it on and off.** Any power tool that cannot be controlled with the switch is dangerous and must be repaired.
- c) **Disconnect the plug from the power source and/or remove the battery pack, if detachable, from the power tool before making any adjustments, changing accessories, or storing power tools.** Such preventive safety measures reduce the risk of starting the power tool accidentally.
- d) **Store idle power tools out of the reach of children and do not allow persons unfamiliar with the power tool or these instructions to operate the power tool.**

Power tools are dangerous in the hands of untrained users.

- e) **Maintain power tools and accessories. Check for misalignment or binding of moving parts, breakage of parts and any other condition that may affect the power tool's operation. If damaged, have the power tool repaired before use.** Many accidents are caused by poorly maintained power tools.
- f) **Keep cutting tools sharp and clean.** Properly maintained cutting tools with sharp cutting edges are less likely to bind and are easier to control.
- g) **Use the power tool, accessories and tool bits etc. in accordance with these instructions, taking into account the working conditions and the work to be performed.** Use of the power tool for operations different from those intended could result in a hazardous situation.

- h) **Keep handles and grasping surfaces dry, clean and free from oil and grease.** Slippery handles and grasping surfaces do not allow for safe handling and control of the tool in unexpected situations.

#### 5. BATTERY TOOL USE AND CARE

- a) **Recharge only with the charger specified by the manufacturer.** A charger that is suitable for one type of battery pack may create a risk of fire when used with another battery pack.
- b) **Use power tools only with specifically designated battery packs.** Use of any other battery packs may create a risk of injury and fire.
- c) **When battery pack is not in use, keep it away from other metal objects, like paper clips, coins, keys, nails, screws or other small metal objects, that can make a connection from one terminal to another.** Shorting the battery terminals together may cause burns or a fire.
- d) **Under abusive conditions, liquid may be ejected from the battery; avoid contact. If contact accidentally occurs, flush with water. If liquid contacts eyes, additionally seek medical help.** Liquid ejected from the battery may cause irritation or burns.
- e) **Do not use a battery pack or tool that is damaged or modified.** Damaged or modified batteries may exhibit unpredictable behaviour resulting in fire, explosion or risk of injury.
- f) **Do not expose a battery pack or tool to fire or excessive temperature.** Exposure to fire or temperature above 130 °C may cause explosion.
- g) **Follow all charging instructions and do not charge the battery pack or tool outside the temperature range specified in the instructions.** Charging improperly or

at temperatures outside the specified range may damage the battery and increase the risk of fire.

#### 6. SERVICE

- a) **Have your power tool serviced by a qualified repair person using only identical replacement parts.** This will ensure that the safety of the power tool is maintained.
- b) **Never service damaged battery packs.** Service of battery packs should only be performed by the manufacturer or authorized service providers.

## SAFETY WARNINGS FOR ALL SAWS

### CUTTING PROCEDURES

- a)  **DANGER: Keep hands away from cutting area and the blade. Keep your second hand on auxiliary handle, or motor housing.** If both hands are holding the saw, they cannot be cut by the blade.
- b) **Do not reach underneath the workpiece.** The guard cannot protect you from the blade below the workpiece.
- c) **Adjust the cutting depth to the thickness of the workpiece.** Less than a full tooth of the blade teeth should be visible below the workpiece.
- d) **Never hold workpiece in your hands or across your leg while cutting. Secure the workpiece to a stable platform.** It is important to support the work properly to minimise body exposure, blade binding, or loss of control.
- e) **Hold the power tool by insulated gripping surfaces only, when performing an operation where the cutting tool may contact hidden wiring or its own cord.** Contact with a "live" wire will also make exposed metal parts of the power tool "live" and could give the operator an electric shock.
- f) **When ripping always use a rip fence or straight edge guide.** This improves the accuracy of cut and reduces the chance of blade binding.
- g) **Always use blades with correct size and shape (diamond versus round) of arbour holes.** Blades that do not match the mounting hardware of the saw will run off-centre, causing loss of control.
- h) **Never use damaged or incorrect blade washers or bolt.** The blade washers and bolt were specially designed for your saw, for optimum performance and safety of operation.

# FURTHER SAFETY INSTRUCTIONS FOR ALL SAWS

## Kickback causes and related warnings

- Kickback is a sudden reaction to a pinched, bound or misaligned saw blade, causing an uncontrolled saw to lift up and out of the workpiece toward the operator.
  - When the blade is pinched or bound tightly by the kerf closing down, the blade stalls and the motor reaction drives the unit rapidly back toward the operator.
  - If the blade becomes twisted or misaligned in the cut, the teeth at the back edge of the blade can dig into the top surface of the wood causing the blade to climb out of the kerf and jump back toward the operator.
  - Kickback is the result of saw misuse and/or incorrect operating procedures or conditions and can be avoided by taking proper precautions as given below.
- a) **Maintain a firm grip with both hands on the saw and position your arms to resist kickback forces. Position your body to either side of the blade, but not in line with the blade.** Kickback could cause the saw to jump backwards, but kickback forces can be controlled by the operator, if proper precautions are taken.
  - b) **When blade is binding, or when interrupting a cut for any reason, release the trigger and hold the saw motionless in the material until the blade comes to a complete stop. Never attempt to remove the saw from the work or pull the saw backward while the blade is in motion or kickback may occur.** Investigate and take corrective actions to eliminate the cause of blade binding.
  - c) **When restarting a saw in the workpiece, center the saw blade in the kerf and check that saw teeth are not engaged into the material.** If saw blade is binding, it may walk up or kickback from the workpiece as the saw is restarted.
  - d) **Support large panels to minimize the risk of blade pinching and kickback.** Large panels tend to sag under their own weight. Supports must be placed under the panel on both sides, near the line of cut and near the edge of the panel.
  - e) **Do not use dull or damaged blades.** Unsharpened or improperly set blades produce narrow kerf causing excessive friction, blade binding and kickback.
  - f) **Blade depth and bevel adjusting locking levers must be tight and secure before making cut.** If blade adjustment shifts while cutting, it may cause binding and kickback.
  - g) **Use extra caution when sawing into existing walls or other blind areas.** The

protruding blade may cut objects that can cause kickback.

## SAFETY INSTRUCTIONS FOR CIRCULAR SAW WITH INNER PENDULUM GUARD

### LOWER GUARD FUNCTION

- a) **Check lower guard for proper closing before each use. Do not operate the saw if lower guard does not move freely and close instantly. Never clamp or tie the lower guard into the open position.** If saw is accidentally dropped, lower guard may be bent. Raise the lower guard with the retracting handle and make sure it moves freely and does not touch the blade or any other part, in all angles and depths of cut.
- b) **Check the operation of the lower guard spring. If the guard and the spring are not operating properly, they must be serviced before use.** Lower guard may operate sluggishly due to damaged parts, gummy deposits, or a build-up of debris.
- c) **The lower guard may be retracted manually only for special cuts such as "plunge cuts" and "compound cuts."** Raise lower guard by retracting handle and as soon as blade enters the material, the lower guard must be released. For all other sawing, the lower guard should operate automatically.
- d) **Always observe that the lower guard is covering the blade before placing saw down on bench or floor.** An unprotected, coasting blade will cause the saw to walk backwards, cutting whatever is in its path. Be aware of the time it takes for the blade to stop after switch is released.

## ADDITIONAL SAFETY INSTRUCTIONS FOR EXACTRACK™ CUTS

- a) **The lower guard may be retracted manually only for EXACTRACK™ cuts. Raise the lower guard by the retracting handle and as soon as the blade enters the material, the lower guard must be released.** For all other sawing, the lower guard should operate automatically.
- b) **When EXACTRACK™ cutting, the power switch can only be powered on as soon as the blade enters the material.**

## ADDITIONAL SAFETY RULES FOR YOUR CIRCULAR SAW

1. Use only saw blades recommended by the manufacturer, which conform to EN 847-1, if intended for wood and analogous materials.
2. Do not use any abrasive wheels.
3. Use only blade diameter(s) in accordance with the markings.
4. Identify the correct saw blade to be used for the material to be cut.
5. Use only saw blades that are marked with a speed equal or higher than the speed marked on the tool.

## SAFETY WARNINGS FOR BATTERY PACK

- a) **Do not dismantle, open or shred cells or battery pack.**
- b) **Do not short-circuit a battery pack. Do not store battery packs haphazardly in a box or drawer where they may short-circuit each other or be short-circuited by conductive materials.** When battery pack is not in use, keep it away from other metal objects, like paper clips, coins, keys, nails, screws or other small metal objects, that can make a connection from one terminal to another. Shorting the battery terminals together may cause burns or a fire.
- c) **Do not expose battery pack to heat or fire. Avoid storage in direct sunlight.**
- d) **Do not subject battery pack to mechanical shock.**
- e) **In the event of battery leaking, do not allow the liquid to come into contact with the skin or eyes. If contact has been made, wash the affected area with copious amounts of water and seek medical advice.**
- f) **Seek medical advice immediately if a cell or battery pack has been swallowed.**
- g) **Keep battery pack clean and dry.**
- h) **Wipe the battery pack terminals with a clean dry cloth if they become dirty.**
- i) **Battery pack needs to be charged before use. Always refer to this instruction and use the correct charging procedure.**
- j) **Do not maintain battery pack on charge when not in use.**
- k) **After extended periods of storage, it may be necessary to charge and discharge the battery pack several times to obtain maximum performance.**
- l) **Battery pack gives its best performance when it is operated at normal room temperature (20°C ± 5°C).**
- m) **When disposing of battery packs, keep**

**battery packs of different electrochemical systems separate from each other.**

- n) **Recharge only with the charger specified by WORX. Do not use any charger other than that specifically provided for use with the equipment.** A charger that is suitable for one type of battery pack may create a risk of fire when used with another battery pack.
- o) **Do not use any battery pack which is not designed for use with the equipment.**
- p) **Keep battery pack out of the reach of children.**
- q) **Retain the original product literature for future reference.**
- r) **Remove the battery from the equipment when not in use.**
- s) **Dispose of properly.**
- t) **Do not mix cells of different manufacture, capacity, size or type within a device.**
- u) **Do not remove battery pack from its original packaging until required for use.**
- v) **Observe the plus (+) and minus (-) marks on the battery and ensure correct use.**

## SYMBOLS

	To reduce the risk of injury, user must read instruction manual
	Warning
	Wear ear protection
	Wear eye protection
	Wear dust mask
	Do not expose to rain or water
	Do not burn

	Do not dispose of batteries, Return exhausted batteries to your local collection or recycling point.
	Make sure the battery is removed prior to changing accessories or making any adjustments to the tool.
	Wear protective gloves
	Wood
	Carbide tipped blade
	Lock
	Unlock
	Waste electrical products must not be disposed of with household waste. Please recycle where facilities exist. Check with your local authorities or retailer for recycling advice.

## COMPONENT LIST

<b>1. SAFETY BUTTON</b>
<b>2. ON/OFF SWITCH</b>
<b>3. FRONT HAND GRIP</b>
<b>4. CUTTING MARK, 0°</b>
<b>5. CUTTING MARK,45°</b>
<b>6. MAIN-BASE PLATE</b>
<b>7. BASE PLATE BEVEL LOCK KNOB</b>

<b>8. BASE PLATE BEVEL ANGLE SCALE</b>
<b>9. HEX KEY</b>
<b>10. BATTERY PACK*</b>
<b>11. BATTERY PACK RELEASE BUTTON*</b>
<b>12. FIXED GUARD</b>
<b>13. DUST EXTRACTION OUTLET</b>
<b>14. LOWER GUARD LEVER</b>
<b>15. EXACTRACK™ SUB-BASE PLATE</b>
<b>16. SAW BLADE</b>
<b>17. OUTER FLANGE</b>
<b>18. BLADE BOLT</b>
<b>19. LOWER BLADE GUARD</b>
<b>20. SPINDLE</b>
<b>21. INNER FLANGE</b>
<b>22. CUTTING DEPTH SCALE (See Fig. E)</b>
<b>23. CUTTING DEPTH LOCK KNOB (See Fig. E)</b>
<b>24. SWITCH LEVER (See Fig. E)</b>
<b>25. SPINDLE LOCK BUTTON (See Fig. K2)</b>

\*Not all the accessories illustrated or described are included in standard delivery.

11

## TECHNICAL DATA

Type Designation **WX530 WX530.1 WX530.9**  
(5-designation of machinery, representative of saw)

	WX530	WX530.1	WX530.9
Rated voltage	20 V  Max**		
No load (rated) speed	4900/min		
Blade size	165 mm		
Arbor size	20 mm		
Cutting capacity			
Cutting Depth at 45°	39 mm		
Cutting Depth at 90°	55 mm		
Bevel capacity	0-50°		
Machine weight (without battery)	2.3 kg		

\*\*Voltage measured without workload. Initial battery voltage reaches maximum of 20 volts. Nominal voltage is 18 volts.

## NOISE INFORMATION

A weighted sound pressure  $L_{pA} = 82.8 \text{ dB(A)}$

A weighted sound power  $L_{WA} = 93.8 \text{ dB(A)}$

$K_{pA}$  &  $K_{WA}$  3 dB(A)

**Wear ear protection**



## VIBRATION INFORMATION

Vibration total values (triax vector sum) determined according to EN 62841:

Vibration emission value:	Cutting wood: $a_{h,W} = 6.572 \text{ m/s}^2$
	Uncertainty $K = 1.5 \text{ m/s}^2$

The declared vibration total value and the declared noise emission value have been measured in accordance with a standard test method and may be used for comparing one tool with another.

The declared vibration total value and the declared noise emission value may also be used in a preliminary assessment of exposure.

**WARNING:** The vibration and noise emissions during actual use of the power tool can differ from the declared value depending on the ways in which the tool is used especially what kind of workpiece is processed dependant on the following examples and other variations on how the tool is used:

How the tool is used and the materials being cut or drilled.

The tool being in good condition and well maintained.

The use of the correct accessory for the tool and ensuring it is sharp and in good condition.

The tightness of the grip on the handles and if any anti vibration and noise accessories are used.

And the tool is being used as intended by its design and these instructions.

**This tool may cause hand-arm vibration syndrome if its use is not adequately managed.**

**WARNING:** To be accurate, an estimation of exposure level in the actual conditions of use should also take account of all parts of the operating cycle such as the times when the tool is switched off and when it is running idle but not actually doing

the job. This may significantly reduce the exposure level over the total working period.

Helping to minimise your vibration and noise exposure risk.

Always use sharp chisels, drills and blades. Maintain this tool in accordance with these instructions and keep well lubricated (where appropriate).

If the tool is to be used regularly then invest in anti vibration and noise accessories.

Plan your work schedule to spread any high vibration tool use across a number of days.

## ACCESSORIES

	WX530	WX530.1	WX530.9
Carbide tipped blade	1	1	1
Vacuum adapter	1	1	1
Hex key	1	1	1
Battery pack (WA3551.1)	1	/	/
Battery pack (WA3553)	/	1	/
Charger (WA3860)	1	1	/

We recommend that you purchase your accessories from the same store that sold you the tool. Refer to the accessory packaging for further details. Store personnel can assist you and offer advice.

## OPERATING INSTRUCTIONS



**NOTE:** Before using the tool, read the instruction book carefully.

### INTENDED USE

The tool is intended for ripping and cross-cutting wood and other materials in straight cutting lines, while resting firmly on the work piece.

## ASSEMBLY AND OPERATION

ACTION	FIGURE
<b>BEFORE OPERATION</b>	
Removing and installing the battery pack	See Fig. A1
Charging the battery back	See Fig. A2
Checking the battery charge condition (only for WX530.1)	See Fig. A3
<b>ASSEMBLY</b>	

Saw blade Assembly and Removing <b>Note: Lock or loose the blade bolt, the spindle lock button should be pressed.</b>  <b>WARNING:</b> Always remove the battery before changing the blade!	See Fig. B
Hex key storage	See Fig. C
<b>OPERATION</b>	
Safety On/Off Switch  <b>WARNING:</b> To avoid cutting injury from the sharp blade, please don't put your hands around the Base Plate. <b>NOTE:</b> Keep the dust adapter connected to dust collecting device when using the tool.	See Fig. D
Cutting Depth Adjusting	See Fig. E
Cutting Guide	See Fig. F
Bevel cuts <b>Note: Bevel cutting can't be used under EXACTRACK™ mode.</b>	See Fig. G
Sawdust Removal	See Fig. H

## EXACTRACK™

### What is EXACTRACK™?

EXACTRACK™ is an innovative function, which can help to make a straight cut easier by keeping the blade flush against the cutting guide board.

### Safety notes

 **WARNING: Blade is sharp. Always wear protective gloves.**  
**Keep your hands off from the lower blade guard after opening the lower blade guard.**

### EXACTRACK™ operation scope

- EXACTRACK™ operates between 0~43mm in depth. (See Fig. I)
- EXACTRACK™ works only with 90 degree cut, it does not work with any angle of bevel cut.

### Before operation

 **WARNING: Make sure battery is not installed prior to making any adjustments to the saw, and please place the battery pack nearby the saw.**

- Adjust the desired cutting depth (range 0~43mm). (See Fig. I)
- Turn the lever to EXACTRACK™ mode. (See Fig. J)
- Mark the desired cut line on the workpiece, then clamp the cutting guide board (not supplied) to make the board edge right on the cut line, the length of the cutting guide board should leave 230mm longer at the both ends. (See Fig. K1)
- Place the EXACTRACK™ sub-base plate (red part) on the top of cutting guide board (not supplied), and ensure the main-base plate is sitting on the workpiece. (See Fig. K2)

- Open the lower blade guard manually ( **keep your hands off the blade**), push the saw against the side of the cutting guide board, then release the hand off the lower blade guard. (See Fig. K3)

### Operation

- Install the battery.
- Please hold the saw firmly with both hands and make sure the main base plate fits securely against the cutting guide board (not supplied) during cutting. (See Fig. K4)
- Switch on the tool to start cutting (See Fig. K5)

### STANDARD Mode

For regular 90 degree or bevel cutting (disable EXACTRACK™ function), turn the lever to STANDARD mode and then your tool can be used as a standard circular saw. (See Fig. L)

The STANDARD mode can be used in the cutting depth of 0~55mm (90 degree), 0~39mm (45 degree).

**For product information, go to [www.worx.com](http://www.worx.com) and see How To video.**



## WORKING TIPS FOR YOUR TOOL

If your power tool becomes too hot, please run your circular saw no load for 2-3 minutes to cool the motor. Avoid prolonged usage at very low speeds. Protect saw blades against impact and shock. Do not force the tool. Apply light and continuous pressure in order to avoid overheating the blade tips. Cutting with extreme force can significantly reduce the performance capability of the tool and reduce the service life of the saw blade. Sawing performance and cutting quality depend essentially on the condition and the tooth count of the saw blade. Therefore, use only sharp saw blades that are suited for the material being cut.  
Choice of blades: 24 teeth for general work, approx. 40 teeth for finer cuts, more than 40 teeth for very fine cuts into delicate surfaces, cement board, etc. Only use saw blades recommended.

## MAINTAIN TOOLS WITH CARE

**Remove the battery before carrying out any adjustment, servicing or maintenance.**

Keep tools sharp and clean for better and safer performance. Follow instructions for lubricating and changing accessories. Your power tool requires no additional lubrication or maintenance. There are no user serviceable parts in your power tool. Never use

water or chemical cleaners to clean your power tool. Wipe clean with a dry cloth. Always store your power tool in a dry place. Keep the motor ventilation slots clean. Keep all working controls free of dust. Periodically clear dust and chips from guard and base to ensure proper performance.

#### FOR BATTERY TOOLS

The ambient temperature range for tool and battery use and storage is 0°C-45°C. The recommended ambient temperature range for the charging system during charging is 0°C-40°C.

## ENVIRONMENTAL PROTECTION



Waste electrical products must not be disposed of with household waste. Please recycle where facilities exist. Check with your local authorities or retailer for recycling advice.

## TROUBLE SHOOTING

Symptom	Possible Causes	Possible Solution
Tool will not start when operating the on/off switch.	Battery pack not securely fitted into tool. Battery pack is not charged.	Make sure battery is fully charged and securely fit into the tool. Charge the battery pack.
Cutting depth is less than that is set.	Sawdust accumulated at the rear of the base.	Shake out sawdust. Consider connecting a vacuum for dust collection.
Blade spins or slips	Blade is not tightly engaged with the spindle.	Remove the blade, and reassemble it as described in <b>Saw blade assembly and removing</b> section.
Blade will not cut a straight line.	Blade is dull. Blade is not mounted properly. Saw is not being guided properly.	Mount a new, sharp blade on the saw. Check that blade is properly mounted. Use a parallel guide.
Blade kicks back when beginning a cut	Blade is not spinning fast enough	Allow the saw blade to reach full speed prior to beginning a cut in the material.

## DECLARATION OF CONFORMITY

We,  
POSITEC Germany GmbH  
Grüner Weg 10, 50825 Cologne, Germany

Declare that the product,  
Description **Battery-powered circular saw**  
Type Designation **WX530 WX530.1 WX530.9**  
**(5-designation of machinery, representative of saw)**  
Function **Cutting various materials with a rotating toothed blade**

Complies with the following directives,  
**2006/42/EC**  
**2014/30/EU**  
**2011/65/EU&(EU)2015/863**

Standards conform to  
**EN 62841-1**

**EN 62841-2-5**  
**EN 55014-1**  
**EN 55014-2**

The person authorized to compile the technical file,  
**Name Marcel Filz**  
**Address Positec Germany GmbH Grüner Weg 10, 50825 Cologne, Germany**



2019/5/28  
Allen Ding  
Deputy Chief Engineer, Testing & Certification  
Positec Technology (China) Co., Ltd  
18, Dongwang Road, Suzhou Industrial  
Park, Jiangsu 215123, P. R. China

# PRODUKTSICHERHEIT

## ALLGEMEINE SICHERHEITSHINWEISE FÜR ELEKTROWERKZEUGE

**⚠️ WARNUNG!** Machen Sie sich mit allen Sicherheitswarnungen, Anweisungen, Abbildungen und Spezifikationen vertraut, die mit diesem Elektrowerkzeug geliefert werden. Die Nichtbeachtung der unten aufgeführten Anweisungen kann in elektrischen Schlägen, Feuer und/oder schweren Verletzungen resultieren.

**Bewahren Sie alle Sicherheitshinweise und Anweisungen für die Zukunft auf.**

Der in den Sicherheitshinweisen verwendete Begriff „Elektrowerkzeug“ bezieht sich auf akkubetriebene Elektrowerkzeuge (ohne Netzkabel).

### 1) ARBEITSPLATZSICHERHEIT

- a) **Halten Sie Ihren Arbeitsbereich sauber und gut beleuchtet.** Unordnung oder unbeleuchtete Arbeitsbereiche können zu Unfällen führen.
- b) **Arbeiten Sie mit dem Elektrowerkzeug nicht in explosionsgefährdeter Umgebung, in der sich brennbare Flüssigkeiten, Gase oder Stäube befinden.** Elektrowerkzeuge erzeugen Funken, die den Staub oder die Dämpfe entzünden können.
- c) **Halten Sie Kinder und andere Personen während der Benutzung des Elektrowerkzeugs fern.** Bei Ablenkung können Sie die Kontrolle über das Gerät verlieren.

### 2) ELEKTRISCHE SICHERHEIT

- a) **Der Anschlussstecker des Elektrowerkzeuges muss in die Steckdose passen. Der Stecker darf in keiner Weise verändert werden. Verwenden Sie keine Adapterstecker gemeinsam mit schutzgeerdeten Elektrowerkzeugen.** Unveränderte Stecker und passende Steckdosen verringern das Risiko eines elektrischen Schlages.
- b) **Vermeiden Sie Körperkontakt mit geerdeten Oberflächen wie von Rohren, Heizungen, Herden und Kühlschränken.** Es besteht ein erhöhtes Risiko durch elektrischen Schlag, wenn Ihr Körper geerdet ist.
- c) **Halten Sie Elektrowerkzeuge von Regen oder Nässe fern. Das Eindringen von Wasser in ein Elektrowerkzeug erhöht das Risiko eines elektrischen Schlages.**
- d) **Zweckentfremden Sie das Kabel nicht, um das Elektrowerkzeug zu tragen, aufzuhängen oder um den Stecker aus der Steckdose zu ziehen. Halten Sie das Kabel fern von Hitze, Öl, scharfen Kanten oder sich bewegenden Geräteteilen.** Beschädigte oder verwickelte Kabel erhöhen das Risiko eines

elektrischen Schlages.

- e) **Wenn Sie mit einem Elektrowerkzeug im Freien arbeiten, verwenden Sie nur Verlängerungskabel, die auch für den Außenbereich geeignet sind. Die Anwendung eines für den Außenbereich geeigneten Verlängerungskabels verringert das Risiko eines elektrischen Schlages.**
- f) **Wenn der Betrieb des Elektrowerkzeuges in feuchter Umgebung nicht vermeidbar ist, verwenden Sie einen Fehlerstromschutzschalter.** Der Einsatz eines Fehlerstromschutzschalters vermindert das Risiko eines elektrischen Schlages.

### 3) SICHERHEIT VON PERSONEN

- a) **Seien Sie aufmerksam, achten Sie darauf, was Sie tun, und gehen Sie mit Vernunft an die Arbeit mit einem Elektrowerkzeug. Benutzen Sie kein Elektrowerkzeug, wenn Sie müde sind oder unter dem Einfluss von Drogen, Alkohol oder Medikamenten stehen.** Ein Moment der Unachtsamkeit beim Gebrauch des Elektrowerkzeuges kann zu ernsthaften Verletzungen führen.
- b) **Tragen Sie persönliche Schutzausrüstung und immer eine Schutzbrille.** Das Tragen persönlicher Schutzausrüstung, wie Staubmaske, rutschfeste Sicherheitsschuhe, Schutzhelm oder Gehörschutz, je nach Art und Einsatz des Elektrowerkzeuges, verringert das Risiko von Verletzungen.
- c) **Vermeiden Sie eine unbeabsichtigte Inbetriebnahme. Vergewissern Sie sich, dass das Elektrowerkzeug ausgeschaltet ist, bevor Sie es an den Akku anschließen, es aufnehmen oder tragen.** Wenn Sie beim Tragen des Elektrowerkzeuges den Finger am Schalter haben oder das Gerät eingeschaltet an die Stromversorgung anschließen, kann dies zu Unfällen führen.
- d) **Entfernen Sie Einstellwerkzeuge oder Schraubenschlüssel, bevor Sie das Elektrowerkzeug einschalten.** Ein Werkzeug oder Schlüssel, der sich in einem drehenden Geräteteil befindet, kann zu Verletzungen führen.
- e) **Vermeiden Sie eine abnormale Körperhaltung. Sorgen Sie für einen sicheren Stand und halten Sie jederzeit das Gleichgewicht.** Dadurch können Sie das Elektrowerkzeug in unerwarteten Situationen besser kontrollieren.
- f) **Tragen Sie geeignete Kleidung. Tragen Sie keine weite Kleidung oder Schmuck. Halten Sie Haare, Kleidung und Handschuhe fern von sich bewegenden Teilen.** Lockere Kleidung, Schmuck oder lange Haare können von sich bewegenden Teilen erfasst werden.
- g) **Wenn Staubabsaug- und -auffangeinrichtungen montiert werden können, vergewissern Sie sich, dass diese angeschlossen sind und richtig verwendet werden.** Verwendung einer Staubabsaugung

kann Gefährdungen durch Staub verringern.

- h) Vermeiden Sie, durch die häufige Nutzung des Werkzeugs in einen Trott zu verfallen und Prinzipien für die Werkzeugsicherheit zu ignorieren.** Eine unachtsame Aktion kann im Bruchteil einer Sekunde zu schweren Verletzungen führen.
- 4) VERWENDUNG UND BEHANDLUNG DES ELEKTROWERKZEUGES**
- a) Überlasten Sie das Gerät nicht. Verwenden Sie für Ihre Arbeit das dafür bestimmte Elektrowerkzeug.** Mit dem passenden Elektrowerkzeug arbeiten Sie besser und sicherer im angegebenen Leistungsbereich.
- b) Benutzen Sie kein Elektrowerkzeug, dessen Schalter defekt ist.** Ein Elektrowerkzeug, das sich nicht mehr ein- oder ausschalten lässt, ist gefährlich und muss repariert werden.
- c) Entfernen Sie den Akku, bevor Sie Geräteeinstellungen vornehmen, Zubehörteile wechseln oder das Gerät weglegen.** Diese Vorsichtsmaßnahme verhindert den unbeabsichtigten Start des Elektrowerkzeuges.
- d) Bewahren Sie unbenutzte Elektrowerkzeuge außerhalb der Reichweite von Kindern auf. Lassen Sie Personen das Gerät nicht benutzen, die mit diesem nicht vertraut sind oder diese Anweisungen nicht gelesen haben.** Elektrowerkzeuge sind gefährlich, wenn Sie von unerfahrenen Personen benutzt werden.
- e) Pflegen Sie Elektrowerkzeuge mit Sorgfalt. Kontrollieren Sie, ob bewegliche Teile einwandfrei funktionieren und nicht klemmen, ob Teile gebrochen oder so beschädigt sind, dass die Funktion des Elektrowerkzeuges beeinträchtigt ist. Lassen Sie beschädigte Teile vor dem Einsatz des Gerätes reparieren.** Viele Unfälle haben ihre Ursache in schlecht gewarteten Elektrowerkzeugen.
- f) Halten Sie Schneidwerkzeuge scharf und sauber. Sorgfältig gepflegte Schneidwerkzeuge mit scharfen Schneidkanten verklemmen sich weniger und sind leichter zu führen.**
- g) Verwenden Sie Elektrowerkzeug, Zubehör, Einsatzwerkzeuge usw. entsprechend diesen Anweisungen. Berücksichtigen Sie dabei die Arbeitsbedingungen und die auszuführende Tätigkeit.** Der Gebrauch von Elektrowerkzeugen für andere als die vorgesehenen Anwendungen kann zu gefährlichen Situationen führen.
- h) Halten Sie die Griffe trocken, sauber und frei von Öl und Fett.** Rutschige Griffe und Oberflächen unterbinden die sichere Bedienbarkeit und Kontrolle über das Werkzeug in unerwarteten Situationen.

## 5) VERWENDUNG UND BEHANDLUNG DES AKKUWERKZEUGS

- a) Laden Sie die Akkus nur in Ladegeräten auf, die vom Hersteller empfohlen werden.** Für ein Ladegerät, das für eine bestimmte Art von Akku geeignet ist, besteht Brandgefahr, wenn es mit anderen Akkus verwendet wird.
- b) Verwenden Sie nur die dafür vorgesehenen Akkus in den Elektrowerkzeugen.** Der Gebrauch von anderen Akkus kann zu Verletzungen und Brandgefahr führen.
- c) Halten Sie den nicht benutzten Akku fern von Büroklammern, Münzen, Schlüsseln, Nägeln, Schrauben oder anderen kleinen Metallgegenständen, die eine Überbrückung der Kontakte verursachen könnten.** Ein Kurzschluss zwischen den Akkukontakten kann Verbrennungen oder Feuer zur Folge haben.
- d) Bei falscher Anwendung kann Flüssigkeit aus dem Akku austreten. Vermeiden Sie den Kontakt damit. Bei zufälligem Kontakt mit Wasser abspülen. Wenn die Flüssigkeit in die Augen kommt, nehmen Sie zusätzlich ärztliche Hilfe in Anspruch.** Austretende Akkufflüssigkeit kann zu Hautreizungen oder Verbrennungen führen.
- e) Verwenden Sie kein Akkupack oder Werkzeug, das beschädigt ist.** Beschädigte oder modifizierte Akkus können unvorhersehbare Reaktionen auslösen und zu Bränden, Explosionen oder Verletzungen führen.
- f) Setzen Sie das Akkupack oder Werkzeug keinem Feuer oder übermäßig hohen Temperaturen aus.** Die Belastung durch Feuer oder Temperaturen über 130 °C kann zur Explosion führen.
- g) Befolgen Sie alle Ladeanweisungen, und laden Sie das Akkupack oder Werkzeug nicht außerhalb des in den Anweisungen festgelegten Temperaturbereichs auf.** Ein unsachgemäßer Ladevorgang oder Temperaturen außerhalb des festgelegten Bereichs können den Akku schädigen und die Brandgefahr erhöhen.

## 6) SERVICE

- a) Lassen Sie Ihr Elektrowerkzeug nur von qualifiziertem Fachpersonal und nur mit Original-Ersatzteilen reparieren.** Damit wird sichergestellt, dass die Sicherheit des Gerätes erhalten bleibt.
- b) Führen Sie niemals Wartungsarbeiten an beschädigten Akkus durch.** Die Wartung von Akkupacks darf nur vom Hersteller selbst oder autorisierten Dienstleistern durchgeführt werden.

# SICHERHEITSANWEISUNGEN FÜR ALLE SÄGEN

## SÄGEVERFAHREN

- a)  WARNUNG: Kommen Sie mit Ihren Händen nicht in den Sägebereich und**

**an das Sägeblatt. Halten Sie die andere Hand am Zusatzgriff oder dem Motorgehäuse.** Wenn beide Hände die Kreissäge halten, kann das Sägeblatt diese nicht verletzen.

- b) Greifen Sie nicht unter das Werkstück.** Die Schutzhaube kann Sie unter dem Werkstück nicht vor dem Sägeblatt schützen.
- c) Passen Sie die Schnitttiefe an die Dicke des Werkstückes an.** Es sollte weniger als eine volle Zahnhöhe unter dem Werkstück sichtbar sein.
- d) Halten Sie das zu sägende Werkstück niemals mit der Hand oder über dem Bein fest. Sichern Sie das Werkstück an einer stabilen Unterlage.** Es ist wichtig, das Werkstück gut zu befestigen, um die Gefahr von Körperkontakt, Klemmen des Sägeblattes oder Verlust der Kontrolle zu minimieren.
- e) Halten Sie das Gerät nur an den isolierten Griffflächen, wenn Sie Arbeiten ausführen, bei denen das Einsatzwerkzeug verborgene Stromleitungen oder das eigene Netzkabel treffen kann.** Der Kontakt mit einer spannungsführenden Leitung kann auch metallene Geräteteile unter Spannung setzen und zu einem elektrischen Schlag führen.
- f) Verwenden Sie beim Längsschneiden immer einen Anschlag oder eine gerade Kantenführung.** Dies verbessert die Schnittgenauigkeit und verringert die Möglichkeit, dass das Sägeblatt klemmt.
- g) Verwenden Sie immer Sägeblätter in der richtigen Größe und mit passender Aufnahmebohrung (z. B. sternförmig oder rund).** Sägeblätter, die nicht zu den Montageteilen der Säge passen, laufen unrund und führen zum Verlust der Kontrolle.
- h) Verwenden Sie niemals beschädigte oder falsche Sägeblatt-Unterlegscheiben (Flansche) oder -schrauben.** Die Sägeblatt-Unterlegscheiben und -schrauben wurden speziell für Ihre Säge konstruiert, für optimale Leistung und Betriebssicherheit.

## URSACHEN UND VERMEIDUNG EINES RÜCKSCHLAGES URSACHEN EINES RÜCKSCHLAGS UND DIESBEZUGLICHE WARNHINWEISE

- Ein Rückschlag ist die plötzliche Reaktion infolge eines hakenden, klemmenden oder falsch ausgerichteten Sägeblattes, die dazu führt, dass eine unkontrollierte Säge abhebt und sich aus dem Werkstück heraus in Richtung

der Bedienperson bewegt;

- Wenn sich das Sägeblatt in dem sich schließenden Sägespalt verhakht oder verklemmt, blockiert es, und die Motorkraft schlägt das Gerät in Richtung der Bedienperson zurück;
- Wird das Sägeblatt im Sägeschnitt verdreht oder falsch ausgerichtet, können sich die Zähne der hinteren Sägeblattkante in der Oberfläche des Werkstücks verhaken, wodurch sich das Sägeblatt aus dem Sägespalt herausbewegt und die Säge in Richtung der Bedienperson zurückspringt.

Ein Rückschlag ist die Folge eines falschen oder fehlerhaften Gebrauchs der Säge. Er kann durch geeignete Vorsichtsmaßnahmen, wie nachfolgend beschrieben, verhindert werden.

- a) Halten Sie die Säge mit beiden Händen fest und bringen Sie Ihre Arme in eine Stellung, in der Sie den Rückschlagkräften standhalten können. Halten Sie sich immer seitlich des Sägeblattes, nie das Sägeblatt in eine Linie mit Ihrem Körper bringen.** Bei einem Rückschlag kann die Kreissäge rückwärts springen, jedoch kann die Bedienperson die Rückschlagkräfte beherrschen, wenn geeignete Maßnahmen getroffen wurden.
- b) Falls das Sägeblatt klemmt oder das Sägen aus einem anderen Grund unterbrochen wird, lassen Sie den Ein-Aus-Schalter los und halten Sie die Säge im Werkstoff ruhig, bis das Sägeblatt vollständig still steht. Versuchen Sie niemals, die Säge aus dem Werkstück zu entfernen oder sie rückwärts zu ziehen, solange das Sägeblatt sich bewegt oder sich ein Rückschlag ereignen könnte.** Finden Sie die Ursache für das Klemmen des Sägeblattes und beseitigen Sie diese durch geeignete Maßnahmen.
- c) Wenn Sie eine Säge, die im Werkstück steckt, wieder starten wollen, zentrieren Sie das Sägeblatt im Sägespalt und überprüfen Sie, ob die Sägezähne nicht im Werkstück verhakht sind.** Klemmt das Sägeblatt, kann es sich aus dem Werkstück herausbewegen oder einen Rückschlag verursachen, wenn die Säge erneut gestartet wird.
- d) Stützen Sie große Platten ab, um das Risiko durch ein klemmendes Sägeblatt zu vermindern.** Große Platten können sich durch ihr Eigengewicht durchbiegen. Platten müssen auf beiden Seiten, sowohl in der Nähe des Sägespaltes als auch am Rand, abgestützt werden.
- e) Verwenden Sie keine stumpfen oder beschädigten Sägeblätter.** Sägeblätter mit stumpfen oder falsch ausgerichteten Zähnen verursachen durch einen zu engen Sägespalt eine erhöhte Reibung, Klemmen des Sägeblattes und Rückschlag.
- f) Ziehen Sie vor dem Sägen**

die **Schnitttiefen- und Schnittwinkleinstellungen fest**. Wenn sich während des Sägens die Einstellungen verändern, kann sich das Sägeblatt verklemmen und ein Rückschlag auftreten.

- g) **Seien Sie besonders vorsichtig, wenn sich sägen in einen verborgenen Bereich, z. B. in einer bestehenden Wand.** Das eintauchende Sägeblatt kann beim Sägen in verborgene Objekte blockieren und einen Rückschlag verursachen.

## SICHERHEITSHINWEISE FÜR KREISSÄGEN MIT PENDELSCHUTZHAUBE

### Untere Schutzfunktion

- a) **Prüfen Sie vor jedem Arbeitsbeginn, ob die untere Schutzhaube richtig geschlossen ist. Verwenden Sie die Säge nicht, wenn die untere Schutzhaube nicht freigängig ist. Schalten Sie die Säge sofort aus. Versuchen Sie niemals, die geöffnete untere Schutzhaube festzuklemmen oder hochzubinden.** Die untere Schutzhaube kann beschädigt werden, wenn die Säge herunter fällt. Öffnen Sie die Schutzhaube mit dem Rückziehhebel und vergewissern Sie sich, dass sie in allen Richtungen und für alle Schnitttiefen freigängig ist und die Säge oder andere Teile des Werkzeugs nicht berührt.
- b) **Kontrollieren Sie die Funktionstüchtigkeit der Schutzhaubenfeder. Lassen Sie eine schwergängige Schutzhaube oder eine defekte Feder instand setzen, ehe Sie das Werkzeug wieder verwenden.** Die Funktion der unteren Schutzhaube kann durch Beschädigungen oder Verschmutzungen eingeschränkt werden.
- c) **Die untere Schutzhaube darf nur für spezielle Sägearbeiten manuell zurückgezogen werden, z. B. für Einstecharbeiten oder für Mehrfachschnitte. Öffnen Sie die untere Schutzhaube mit dem Rückziehhebel und lassen Sie sie los, sobald die Säge in das Material eingreift.** Bei allen anderen Sägearbeiten darf die Funktion der unteren Schutzhaube nicht manuell manipuliert werden.
- d) **Das Sägeblatt muss durch die untere Schutzhaube geschützt werden, ehe Sie die Säge auf die Werkbank oder auf den Boden legen.** Eine ungeschützte, noch auslaufende Säge bewegt sich selbstständig rückwärts und schneidet alles, was im Weg liegt. Seien Sie sich immer bewusst, dass die Säge nach dem Ausschalten noch eine Weile weiter läuft.

## ZUSÄTZLICHE SICHERHEITSHINWEISE FÜR EXACTRACK™ SCHNITTE

- a) **Der untere Sägeblattschutz kann nur für EXACTRACK™ manuell zurückgezogen werden. Heben Sie die untere Schutzvorrichtung an, indem Sie den Einzugshebel einfahren. Sobald das Sägeblatt in das Material eintritt, muss die untere Schutzvorrichtung freigegeben werden.** Bei allen anderen Sägearbeiten muss die untere Schutzvorrichtung automatisch arbeiten.
- b) **Bei EXACTRACK™ Schnitten kann der Hauptschalter erst eingeschaltet werden, wenn das Sägeblatt in das Material eintritt.**

## ZUSÄTZLICHE SICHERHEITSHINWEISE FÜR KREISSÄGEN

1. Verwenden Sie ausschließlich vom Hersteller empfohlene Sägeblätter konform mit EN 847-1, wenn Sie Holz und ähnliche Materialien bearbeiten.
2. Benutzen Sie keinerlei Schleifscheiben.
3. Verwenden Sie nur Sägeblätter mit einem Durchmesser entsprechend den Kennzeichnungen.
4. Ermitteln Sie das korrekte Sägeblatt für das jeweils zu schneidende Material.
5. Verwenden Sie nur Sägeblätter, die mit einer Geschwindigkeit gekennzeichnet sind, die der auf dem Werkzeug angegebenen entspricht bzw. darüber liegt.

## SICHERHEITSHINWEISE FÜR AKKUPACK

- a) **Zellen bzw. Akkupack nicht zerlegen, öffnen oder zerdrücken.**
- b) **Akkupack nicht kurzschließen. Akkupacks nicht wahllos in einer Schachtel oder Schublade aufbewahren, wo sie einander kurzschließen oder durch andere leitfähige Materialien kurzgeschlossen werden könnten.** Bei Nichtverwendung des Akkupacks ist dieses von Metallgegenständen fernzuhalten, wie etwa Büroklammern, Münzen, Nägeln, Schrauben oder anderen kleinen Metallgegenständen, wo sich die Batterieklemmen berühren könnten. Das Kurzschließen der Batterieklemmen kann Verbrennungen bzw. einen Brand verursachen.
- c) **Zellen bzw. Akkupacks nicht Hitze oder**

**Feuer aussetzen. Lagerung in direktem Sonnenlicht vermeiden.**

- d) Akkupack nicht mechanischen Stößen aussetzen.**
- e) Im Fall, dass Flüssigkeit aus dem Akku austritt, darf diese nicht in Kontakt mit der Haut oder den Augen kommen. Sollte dies dennoch geschehen, den betroffenen Bereich sofort mit viel Wasser spülen und einen Arzt aufsuchen.**
- f) Beim Verschlucken einer Zelle oder eines Akkupacks muss sofort ein Arzt herangezogen werden.**
- g) Akkupack sauber und trocken halten.**
- h) Sollten die Klemmen des Akkupacks schmutzig werden, diese mit einem sauberen, trockenen Tuch abwischen.**
- i) Akkupack muss vor Gebrauch aufgeladen werden. Immer diese Anweisungen beachten und den korrekten Ladevorgang ausführen.**
- j) Akkupack bei Nichtverwendung nicht längere Zeit aufladen lassen.**
- k) Nach längerer Lagerung des Gerätes ist es eventuell notwendig, die Zellen oder das Akkupack mehrere Male aufzuladen und zu entladen, um eine optimale Leistung zu erhalten.**
- l) Akkupacks funktionieren bei normaler Zimmertemperatur (20°C ± 5°C) am besten.**
- m) Beim Entsorgen von Akkupacks sollten Akkupacks mit verschiedenen elektrochemischen Systemen voneinander getrennt gehalten werden.**
- n) Nur mit dem von WORX bezeichneten Ladegerät aufladen. Kein Ladegerät verwenden, das nicht ausdrücklich für den Gebrauch mit dem Gerät vorgesehen ist.**  
Ein Ladegerät, das für eine bestimmte Art von Akkupack geeignet ist, kann bei Verwendung mit einem anderen Akkupack eine Brandgefahr darstellen.
- o) Kein Akkupack verwenden, das nicht für den Gebrauch mit dem Gerät vorgesehen ist.**
- p) Akkupacks von Kindern fernhalten.**
- q) Die originalen Produktunterlagen zum späteren Nachschlagen aufbewahren.**
- r) Den Akku bei Nichtverwendung aus dem Gerät nehmen.**
- s) Ordnungsgemäß entsorgen.**
- t) Vermischen Sie keine Zellen verschiedener Hersteller, Kapazitäten, Größen oder Typen innerhalb eines Gerätes.**
- u) Nehmen Sie das Akkupack nicht aus der Originalverpackung, bis es verwendet werden soll.**
- v) Beachten Sie die Plus (+) und Minus (-) Markierungen auf dem Akku und stellen Sie die korrekte Anwendung sicher.**

## SYMBOLE

	Zur Reduzierung der Verletzungsgefahr bitte die Bedienungsanleitung durchlesen
	WARNUNG!
	Tragen Sie einen Gehörschutz
	Tragen Sie eine Schutzbrille
	Tragen Sie eine Staubmaske
	Vor Regen und Feuchtigkeit schützen
	Nicht verbrennen
	Akku nicht in den Haushaltsmüll geben. Bringen Sie den leeren Akku zu Ihrer lokalen Sammel- oder Recyclingstelle.
	Stellen Sie vor dem Wechseln von Zubehör oder Einstellungen sicher, dass der Akku entfernt wurde.
	Schutzhandschuhe tragen
	Holz
	Hartmetallklinge

	Verriegeln
	Entriegeln
	Elektroprodukte dürfen nicht mit dem normalen Haushaltsmüll entsorgt werden, sondern sollten nach Möglichkeit zu einer Recyclingstelle gebracht werden. Ihre zuständigen Behörden oder Ihr Fachhändler geben Ihnen hierzu gerne Auskunft.

## KOMPONENTEN

1. SICHERHEITSTASTE
2. EIN/AUS-SCHALTER
3. VORDERER GRIFF
4. SCHNITTMARKIERUNG 0°
5. SCHNITTMARKIERUNG 45°
6. HAUPTGRUNDPLATTE
7. GRUNDPLATTEN-WINKELFESTSTELLER
8. GRUNDPLATTEN-WINKELSKALA
9. SCHRAUBENSCHLÜSSEL
10. AKKU\*
11. AKKUVERRIEGELUNG \*
12. SCHUTZHAUBE
13. STAUBABSAUGÖFFNUNG
14. RÜCKZIEHHEBEL
15. EXACTRACK™ UNTERE GRUNDPLATTE
16. SÄGEBLATT
17. ÄUSSERER FLANSCH
18. SCHRAUBE FÜR SÄGEBLATT-BEFESTIGUNG
19. UNTERE SCHUTZHAUBE
20. SPINDEL
21. INNERER FLANSCH
22. SCHNITTITIEFENSKALA (Siehe Bild. E)
23. KLEMMSCHRAUBE SCHNITTITIEFE (Siehe Bild. E)
24. SCHALTHEBEL (Siehe Bild. E)

## 25. SPINDEL-STOPP-TASTE (Siehe Bild. K2)

\*Abgebildetes oder beschriebenes Zubehör gehört teilweise nicht zum Lieferumfang.

## TECHNISCHE DATEN

Typ **WX530 WX530.1 WX530.9** (5-Bezeichnung der Maschine, Repräsentant der Säge)

	WX530	WX530.1	WX530.9
Nennspannung	20 V $\overline{\text{---}}$ Max**		
Ohne Last (Nenn-) Geschwindigkeit	4900/min		
Blattdurchmesser	165 mm		
Sägeblattbohrung	20 mm		
Schneidleistung			
Schnitttiefe bei 45°	39 mm		
Schnitttiefe bei 90°	55 mm		
Neigungswinkel	0-50°		
Gewicht (Akkupack nicht inbegriffen)	2.3 kg		

\*\*Spannung ohne Arbeitslast gemessen. Anfangsakkuspannung erreicht maximal 20 Volt. Nennspannung ist 18 Volt.

## INFORMATIONEN ÜBER LÄRM

Gewichteter Schalldruck	$L_{pA} = 82.8 \text{ dB(A)}$
Gewichtete Schallleistung	$L_{WA} = 93.8 \text{ dB(A)}$
$K_{pA}$ & $K_{WA}$	3 dB(A)

Tragen Sie einen Gehörschutz.



## INFORMATIONEN ÜBER VIBRATIONEN

Vibrations gesamt messwertermittlung gemäß EN 62841:

Vibrationsemissionswert:	Schnitte in Holz: $a_{h,w} = 6.572 \text{ m/s}^2$
	Unsicherheit $K = 1.5 \text{ m/s}^2$

Der angegebene Vibrationsgesamtwert kann und der angegebene Vibrationsemissionswert wurden gemäß Standardprüfverfahren gemessen und können zum Vergleichen eines Werkzeug mit einem anderen verwendet werden.

Der angegebene Vibrationsgesamtwert und der angegebene Vibrationsemissionswert können auch für eine anfängliche Beurteilung der Beeinträchtigung verwendet werden.

**⚠️ WARNUNG:** Die Vibrations- und Lärmemissionen bei der eigentlichen Nutzung des Elektrowerkzeugs können vom angegebenen Wert abweichen, je nachdem, wie das Werkzeug verwendet wird und insbesondere abhängig davon, welcher Werkstücktyp verarbeitet wird, und abhängig von folgenden Beispielen und verschiedenen Einsatzmöglichkeiten des Werkzeugs: Wie das Werkzeug verwendet wird und Materialien geschnitten oder angebohrt werden. Das Werkzeug ist in gutem Zustand und gut gepflegt.

Verwendung des richtigen Zubehörs für das Werkzeug und Gewährleistung seiner Schärfe und seines guten Zustands.

Die Festigkeit des Griffs auf den Handgriffen und, falls Antivibrations- und Lärmschutzzubehör verwendet wird.

Und ob das verwendete Werkzeug dem Design und diesen Anweisungen entsprechend verwendet wird.

**Wird dieses Werkzeug nicht anemessen gehandhabt, kann es ein Hand-Arm-Vibrationssyndrom erzeugen.**

**⚠️ WARNUNG:** Um genau zu sein, sollte ein Abschätzung des Belastungsgrades aller Arbeitsabschnitte während tatsächlicher Verwendung berücksichtigt werden, z.B. die Zeiten, wenn das Werkzeug ausgeschaltet ist, und wenn es sich im Leerlauf befindet und eigentlich nicht eingesetzt wird. Auf diese Weise kann der Belastungsgrad während der gesamten Arbeitszeit wesentlich gemindert werden.

Hilft dabei, das Risiko der Vibrations- und Lärmbelastung zu minimieren. Verwenden Sie IMMER scharfe Meißel, Bohrer und Sägeblätter.

Pflegen Sie dieses Werkzeug diesen Anweisungen entsprechend und achten Sie auf eine gute Einfettung (wo erforderlich).

Falls das Werkzeug regelmäßig verwendet werden soll, investieren Sie in Antivibrations- und Lärmschutzzubehör.

Machen Sie einen Arbeitsplan, um die Verwendung von hochvibrierenden Werkzeugen auf mehrere Tage zu verteilen.

## ZUBEHÖRTEILE

	WX530	WX530.1	WX530.9
Hartmetallklinge	1	1	1
Staubsaugeradapter	1	1	1
Inbusschlüssel	1	1	1
Akku (WA3551.1)	1	/	/
Akku (WA3553)	/	1	/
Lader (WA3860)	1	1	/

Wir empfehlen Ihnen, sämtliche Zubehörteile beim selben Fachhändler zu beziehen, bei dem Sie auch Ihr Elektrowerkzeug gekauft haben. Weitere Informationen finden Sie auf der Verpackung der Zubehörteile. Auch Ihr Fachhändler berät Sie gerne.

## HINWEISE ZUM BETRIEB

**⚠️ HINWEIS:** Lesen Sie das Handbuch vor Inbetriebnahme des Werkzeuges sorgfältig durch.

### BESTIMMUNGSGEMÄSSER GEBRAUCH:

Das Werkzeug ist das Längs- und Querschnitten von Holz und anderen Materialien in geraden Schnittlinien konzipiert. Dabei muss es fest auf dem Werkstück aufliegen.

21

## MONTAGE UND BEDIENUNG

AKTION	ABBILDUNG
<b>VOR INBETRIEBNAHME</b>	
Einsetzen/ausbauen der Batterie	Siehe Bild. A1
Aufladen des Akkus	Siehe Bild. A2
Ladezustand des Akkus prüfen (nur bei WX530.1)	Siehe Bild. A3
<b>MONTAGE</b>	
Sägeblatt montieren und entfernen <b>Hinweis: Sägeblattschraube arretieren oder lösen, dabei muss der Spindelarretierungsknopf gedrückt werden.</b> <b>⚠️ WARNUNG:</b> Entfernen Sie immer erst den Akku, bevor Sie das Sägeblatt wechseln!	Siehe Bild. B
Aufbewahrung des Innensechskantschlüssels	Siehe Bild. C
<b>BETRIEB</b>	

<p>Sicherheits-ein-/ausschalter</p> <p><b>⚠️ WARNUNG:</b> Um Schnittverletzungen durch scharfe Sägeblätter zu vermeiden, halten Sie Ihre Hände von der Sockelplatte fern.</p> <p><b>HINWEIS:</b> Lassen Sie den Staubadapter mit der Entstaubungsanlage verbunden, wenn Sie das Werkzeug benutzen.</p>	Siehe Bild. D
Schnitttiefe anpassen	Siehe Bild. E
Schnittführung	Siehe Bild. F
Neigungsschnitte	Siehe Bild. G
<b>HINWEIS: Neigungsschneiden kann im EXACTRACK™-Modus nicht verwendet werden.</b>	
Entfernung von Sägemehl	Siehe Bild. H

### EXACTRACK™

#### Was ist EXACTRACK™?

EXACTRACK™ ist eine innovative Funktion, die Unterstützung bei geraden Schnitten bietet, indem das Sägeblatt bündig zur Schnittführung gehalten wird.

#### Sicherheitshinweise

##### ⚠️ WARNUNG:

**Die Zähne des Sägeblattes sind sehr scharf. Schutzhandschuhe tragen.**

**Halten Sie Ihre Hände vom unteren Sägeblattschutz fern, nachdem Sie diesen geöffnet haben.**

#### EXACTRACK™ Anwendungsumfang

- EXACTRACK™ kann zwischen 0–43 mm Tiefe eingesetzt werden. (Siehe Bild. I)
- EXACTRACK™ funktioniert nur bei 90°-Schnitten, nicht bei Neigungsschnitten mit anderen Winkeln.

#### Vor Inbetriebnahme



**WARNUNG: Entfernen Sie den Akku aus der Maschine, ehe Sie irgendwelche Einstellungen vornehmen, und legen Sie bitte das Akkupack neben die Säge.**

- Stellen Sie die gewünschte Schnitttiefe ein (Bereich 0–43 mm). (Siehe Bild. I)
- Drehen Sie den Hebel in den EXACTRACK™ Modus. (Siehe Bild. J)
- Markieren Sie die gewünschte Schnittlinie am Werkstück und spannen Sie dann die Schnittführungsplatte (nicht mitgeliefert) ein, damit die Plattenkante rechts von der Schnittlinie ist. Die Länge der Schnittführungsplatte sollte an beiden Enden 230 mm überstehen. (Siehe Bild. K1)
- Positionieren Sie die untere EXACTRACK™ Grundplatte (rotes Teil) auf der Oberseite der Schnittführungsplatte (nicht mitgeliefert) und stellen Sie sicher, dass die Hauptgrundplatte auf dem Werkstück aufliegt. (Siehe Bild. K2)
- Öffnen Sie den unteren Sägeblattschutz manuell (**⚠️ halten Sie Ihre Hände von der Klinge fern**), drücken Sie die Säge gegen die Seite der Schnittführungsplatte, und nehmen Sie dann die Hand vom unteren Sägeblattschutz. (Siehe Bild. K3)

#### Betrieb

- Einsetzen des Akkupacks.
- Bitte halten Sie die Säge fest mit beiden Händen fest und stellen Sie sicher, dass die Hauptgrundplatte beim Schneiden fest auf der Schnittführungsplatte (nicht mitgeliefert) aufliegt. (Siehe Bild. K4)
- Schalten Sie das Werkzeug ein, um mit dem Schneiden zu beginnen (Siehe Bild. K5)

#### STANDARD Modus

Bei regulären 90 Grad oder Gehrungsschnitten (EXACTRACK™ Funktion deaktivieren) drehen Sie den Hebel auf den Modus STANDARD; das Werkzeug kann dann wie eine reguläre Kreissäge verwendet werden. (Siehe Bild. L) Der STANDARD-Modus kann bei einer Schnitttiefe von 0–55 mm (90 Grad), 0–39 mm (45 Grad) verwendet werden.

**Für weitere Produktinformationen besuchen Sie [www.worx.com](http://www.worx.com) und sehen Sie sich das "How To"-Video an.**



## TIPPS ZUR ARBEIT MIT IHREM WERKZEUG

Wenn Ihr Elektrowerkzeug zu heiß werden sollte, lassen Sie es zur Kühlung des Motors etwa zwei bis drei Minuten lang unbelastet laufen. Vermeiden Sie längere Arbeiten bei niedrigen Geschwindigkeiten.

Schützen Sie Sägeblätter vor Stoß und Schlag. Überlasten Sie das Werkzeug nicht. Wenden Sie leichten, dauerhaften Druck an, um eine Überhitzung der Werkzeugspitzen zu vermeiden. Zu starker Vorschub senkt erheblich das Leistungsvermögen des Gerätes und verringert die Lebensdauer des Sägeblattes. Die Sägeleistung und die Schnittqualität hängen wesentlich vom Zustand und der Zahnform des Sägeblattes ab. Deshalb nur scharfe und für den zu bearbeitenden Werkstoff geeignete Sägeblätter verwenden.

Wahl der Sägeblätter: 24 Zähne für allgemeine Arbeiten, ca. 40 Zähne für feinere Schnitte, mehr als 40 Zähne für sehr feine Schnitte in schwierige Oberflächen, KW-Platten, usw. Nur empfohlene Sägeblätter verwenden.

## WARTUNG

**Entfernen Sie den Akku aus der Maschine, ehe Sie irgendwelche Einstell-, Reparatur- oder Wartungsarbeiten vornehmen.**

Halten Sie Werkzeuge für bessere und sicherere Leistung scharf und sauber. Befolgen Sie die Anweisungen zum Schmieren und Auswechseln von Zubehör. Ihr Werkzeug benötigt keine zusätzliche Schmierung oder Wartung. Es gibt keine vom Anwender zu wartenden Teile in diesem Elektrowerkzeug. Reinigen Sie Ihr Werkzeug niemals mit Wasser oder chemischen Lösungsmitteln. Wischen Sie es mit einem trockenen Tuch sauber. Lagern Sie Ihr Werkzeug immer an einem trockenen Platz. Halten Sie die Belüftungsöffnungen sauber. Halten Sie alle Bedienelemente staubfrei. Entfernen Sie in regelmäßigen Abständen Staub und

Sägespäne von der Schutzvorrichtung und der Grundplatte, um eine optimale Betriebsleistung zu gewährleisten.

## BEI AKKUWERKZEUGEN

Der Umgebungstemperaturbereich für Werkzeug und Akku bei der Anwendung und Lagerung liegt zwischen 0°C und 45°C. Der empfohlene Umgebungstemperaturbereich für die Ladestation liegt zwischen 0°C und 40°C.

## UMWELTSCHUTZ



Elektroprodukte dürfen nicht mit dem normalen Haushaltsmüll entsorgt werden, sondern sollten nach Möglichkeit zu einer Recyclingstelle gebracht werden. Ihre zuständigen Behörden oder Ihr Fachhändler geben Ihnen hierzu gerne Auskunft.

## PROBLEMBEHEBUNG

Symptome	Mögliche Ursache	Lösungsmöglichkeit
Werkzeug startet nicht, wenn der Ein/Ausschalter betätigt wird.	Akkupack nicht angeschlossen. Akkupack ist ausgeschaltet.	Stellen Sie sicher, dass das Akkupack an eine funktionierende Steckdose angeschlossen ist. Laden Sie den Akku auf.
Schnitttiefe ist geringer als eingestellt.	Sägemehl hat sich hinten an der Grundplatte angesammelt.	Schütteln Sie das Sägemehl heraus. Erwägen Sie den Anschluss eines Staubsaugers für den Staubfang.
Sägeblatt trudelt oder verrutscht	Sägeblatt liegt nicht fest an der Spindel an.	Entfernen Sie das Sägeblatt und montieren Sie es neu gemäß der Beschreibung im <b>Abschnitt Sägeblatt Montieren Und Entfernen.</b>
Sägeblatt schneidet keine gerade Linie.	Sägeblatt ist stumpf. Sägeblatt ist nicht richtig montiert. Sägeblatt wird nicht richtig geführt.	Bringen Sie ein neues, scharfes Sägeblatt an der Säge an. Vergewissern Sie sich, dass das Sägeblatt richtig montiert ist. Parallele Führung verwenden.
Sägeblatt erzeugt beim Ansetzen eines Schnitts einen Rückschlag.	Sägeblatt rotiert nicht schnell genug.	Warten Sie, bis das Sägeblatt seine volle Drehzahl erreicht, bevor Sie mit dem Schneiden beginnen.

23

## KONFORMITÄTSERKLÄRUNG

Wir,  
POSITEC Germany GmbH  
Grüner Weg 10, 50825 Cologne, Germany

Erklären hiermit, dass unser Produkt  
Beschreibung **Batteriebetriebene Kreissäge**  
Typ **WX530 WX530.1 WX530.9 (5-  
Bezeichnung der Maschine, Repräsentant der  
Säge)**

Funktion **Schneiden verschiedener Materialien  
mit einer rotierenden Zahnhebeleisen**

Den Bestimmungen der folgenden Richtlinien  
entspricht:

**2006/42/EC, 2014/30/EU,  
2011/65/EU&(EU)2015/863**

Werte nach

**EN 62841-1, EN 62841-2-5, EN 55014-1,  
EN 55014-2**

Zur Kompilierung der technischen Datei ermächtigte  
Person,

**Name Marcel Filz**  
**Anschrift Positec Germany GmbH Grüner Weg  
10, 50825 Cologne, Germany**



2019/5/28  
Allen Ding  
Stellvertretender Chefsingenieur,  
Prüfung und Zertifizierung  
Positec Technology (China) Co., Ltd  
18, Dongwang Road, Suzhou Industrial Park,  
Jiangsu 215123, P.R. China

# SÉCURITÉ DU PRODUIT

## AVERTISSEMENTS DE SÉCURITÉ GÉNÉRAUX POUR L'OUTIL

 **AVERTISSEMENT** Lire l'ensemble des mises en garde, instructions, illustrations et spécifications fournies avec cet outil électrique. Ne pas suivre toutes les instructions énumérées ci-dessous peut conduire à une électrocution, un incendie et / ou des blessures graves.

**Conserver tous les avertissements et toutes les instructions pour pouvoir s'y reporter ultérieurement.**

Le terme «outil» dans les avertissements fait référence à votre outil électrique alimenté par le secteur (avec cordon d'alimentation) ou votre outil fonctionnant sur batterie (sans cordon d'alimentation).

### 1) SÉCURITÉ DE LA ZONE DE TRAVAIL

- a) **Conserver la zone de travail propre et bien éclairée.** Les zones en désordre ou sombres sont propices aux accidents.
- b) **Ne pas faire fonctionner les outils électriques en atmosphère explosive, par exemple en présence de liquides inflammables, de gaz ou de poussières.** Les outils électriques produisent des étincelles qui peuvent enflammer les poussières ou les fumées.
- c) **Maintenir les enfants et les personnes présentes à l'écart pendant l'utilisation de l'outil.** Les distractions peuvent vous faire perdre le contrôle de l'outil.

### 2) SÉCURITÉ ÉLECTRIQUE

- a) **Il faut que les fiches de l'outil électrique soient adaptées au socle. Ne jamais modifier la fiche de quelque façon que ce soit. Ne pas utiliser d'adaptateurs avec des outils à branchement de terre.** Des fiches non modifiées et des socles adaptés réduiront le risque de choc électrique.
- b) **Éviter tout contact du corps avec des surfaces reliées à la terre telles que les tuyaux, les radiateurs, les cuisinières et les réfrigérateurs.** Il existe un risque accru de choc électrique si votre corps est relié à la terre.
- c) **Ne pas exposer les outils à la pluie ou à des conditions humides.** La pénétration d'eau à l'intérieur d'un outil augmentera le risque de choc électrique.
- d) **Ne pas maltraiter le cordon. Ne jamais utiliser le cordon pour porter, tirer ou débrancher l'outil. Maintenir le cordon à l'écart de la chaleur, du lubrifiant, des arêtes ou des parties en mouvement.** Des cordons endommagés ou emmêlés augmentent le risque de choc électrique.

- e) **Lorsqu'on utilise un outil à l'extérieur, utiliser un prolongateur adapté à l'utilisation extérieure.** L'utilisation d'un cordon adapté à l'utilisation extérieure réduit le risque de choc électrique.
- f) **Si l'usage d'un outil dans un emplacement humide est inévitable, utiliser une alimentation protégée par un dispositif à courant différentiel résiduel (DDR).** L'usage d'un DDR réduit le risque de choc électrique.

### 3) SÉCURITÉ DES PERSONNES

- a) **Restez vigilant, regardez ce que vous êtes en train de faire et faites preuve de bon sens dans votre utilisation de l'outil. Ne pas utiliser un outil lorsque vous êtes fatigué ou sous l'emprise de drogues, d'alcool ou de médicaments.** Un moment d'inattention en cours d'utilisation d'un outil peut entraîner des blessures graves des personnes.
- b) **Utiliser un équipement de sécurité. Toujours porter une protection pour les yeux.** Les équipements de sécurité tels que les masques contre les poussières, les chaussures de sécurité antidérapantes, les casques ou les protections acoustiques utilisés pour les conditions appropriées réduiront les blessures des personnes.
- c) **Éviter tout démarrage intempestif. S'assurer que l'interrupteur est en position arrêt avant de brancher l'outil au secteur et/ou au bloc de batteries, de le ramasser ou de le porter.** Porter les outils en ayant le doigt sur l'interrupteur ou brancher des outils dont l'interrupteur est en position marche est source d'accidents.
- d) **Retirer toute clé de réglage avant de mettre l'outil en marche.** Une clé laissée fixée sur une partie tournante de l'outil peut donner lieu à des blessures de personnes.
- e) **Ne pas se précipiter. Garder une position et un équilibre adaptés à tout moment.** Cela permet un meilleur contrôle de l'outil dans des situations inattendues.
- f) **S'habiller de manière adaptée. Ne pas porter de vêtements amples ou de bijoux. Garder les cheveux, les vêtements et les gants à distance des parties en mouvement.** Des vêtements amples, des bijoux ou les cheveux longs peuvent être pris dans des parties en mouvement.
- g) **Si des dispositifs sont fournis pour le raccordement d'équipements pour l'extraction et la récupération des poussières, s'assurer qu'ils sont connectés et correctement utilisés.** Utiliser des collecteurs de poussière peut réduire les risques dus aux poussières.
- h) **Ne pas laisser les habitudes acquises au cours d'une utilisation fréquente des outils nous rendre complaisants et ignorer les principes de sécurité de l'outil.** Une action imprudente peut entraîner des blessures graves

en une fraction de seconde.

#### 4) UTILISATION ET ENTRETIEN DE L'OUTIL

- a) **Ne pas forcer l'outil. Utiliser l'outil adapté à votre application.** L'outil adapté réalisera mieux le travail et de manière plus sûre au régime pour lequel il a été construit.
- b) **Ne pas utiliser l'outil si l'interrupteur ne permet pas de passer de l'état de marche à arrêt et vice versa.** Tout outil qui ne peut pas être commandé par l'interrupteur est dangereux et il faut le réparer.
- c) **Débrancher la fiche de la source d'alimentation en courant et/ou le bloc de batteries de l'outil avant tout réglage, changement d'accessoires ou avant de ranger l'outil.** De telles mesures de sécurité préventives réduisent le risque de démarrage accidentel de l'outil.
- d) **Conserver les outils à l'arrêt hors de la portée des enfants et ne pas permettre à des personnes ne connaissant pas l'outil ou les présentes instructions de le faire fonctionner.** Les outils sont dangereux entre les mains d'utilisateurs novices.
- e) **Observer la maintenance de l'outil. Vérifier qu'il n'y a pas de mauvais alignement ou de blocage des parties mobiles, des pièces cassées ou toute autre condition pouvant affecter le fonctionnement de l'outil.** En cas de dommages, faire réparer l'outil avant de l'utiliser. De nombreux accidents sont dus à des outils mal entretenus.
- f) **Garder affûtés et propres les outils permettant de couper.** Des outils destinés à couper correctement entretenus avec des pièces coupantes tranchantes sont moins susceptibles de bloquer et sont plus faciles à contrôler.
- g) **Utiliser l'outil, les accessoires et les lames etc., conformément à ces instructions, en tenant compte des conditions de travail et du travail à réaliser.** L'utilisation de l'outil pour des opérations différentes de celles prévues pourrait donner lieu à des situations dangereuses.
- h) **Maintenir les poignées et les surfaces de préhension sèches, propres et exemptes d'huile et de graisse.** Des poignées et surfaces de préhension glissantes ne permettent pas une manipulation et un contrôle de l'outil en toute sécurité en cas d'imprévis.
- 5) **UTILISATION DES OUTILS FONCTIONNANT SUR BATTERIES ET PRÉCAUTIONS D'EMPLOI**
- a) **Ne recharger qu'avec le chargeur spécifié par le fabricant.** Un chargeur qui est adapté à un type de bloc de batteries peut créer un risque de feu lorsqu'il est utilisé avec un autre type de bloc de batteries.
- b) **N'utiliser les outils qu'avec des blocs de batteries spécifiquement désignés.** L'utilisation de tout autre bloc de batteries peut

créer un risque de blessure et de feu.

- c) **Lorsqu'un bloc de batteries n'est pas utilisé, le maintenir à l'écart de tout autre objet métallique, par exemple trombones, pièces de monnaie, clés, clous, vis ou autres objets de petite taille qui peuvent donner lieu à une connexion d'une borne à une autre.** Le court-circuitage des bornes d'une batterie entre elles peut causer des brûlures ou un feu.
- d) **Dans de mauvaises conditions, du liquide peut être éjecté de la batterie; éviter tout contact. En cas de contact accidentel, nettoyer à l'eau. Si le liquide entre en contact avec les yeux, rechercher en plus une aide médicale.** Le liquide éjecté des batteries peut causer des irritations ou des brûlures.
- e) **N'utilisez pas de batterie ou d'outil endommagé ou modifié.** Des batteries endommagées ou modifiées peuvent se comporter de façon imprévisible et causer un incendie, une explosion ou un risque de blessure.
- f) **N'exposez pas une batterie ou un outil à un incendie ou à une température excessive.** L'exposition à un incendie ou une température supérieure à 130 °C peut causer une explosion.
- g) **Suivez toutes les instructions de charge et ne rechargez pas la batterie ou l'outil en dehors de la plage de température spécifiée dans les instructions.** Recharger la batterie de façon inappropriée ou en dehors de la plage de température spécifiée peut l'endommager et augmente le risque d'incendie.

#### 6) MAINTENANCE ET ENTRETIEN

- a) **Faire entretenir l'outil par un réparateur qualifié utilisant uniquement des pièces de rechange identiques.** Cela assurera le maintien de la sécurité de l'outil.
- b) **Ne révisiez jamais de batteries endommagées.** La révision de batteries doit uniquement être effectuée par le fabricant ou les prestataires de service autorisés.

## MESURES DE SÉCURITÉ POUR TOUT TYPE DE SCIE

#### PROCÉDURES DE COUPE

- a)  **AVERTISSEMENT: Garder les mains en dehors de la zone de coupe et éloignées de la lame. Garder la seconde main sur la poignée auxiliaire ou sur le boîtier du moteur.** Si les deux mains maintiennent la scie, la lame ne pourra pas les atteindre.
- b) **Ne pas toucher la partie inférieure de la pièce à travailler.** Le capot protecteur ne peut pas protéger de la lame en dessous de la pièce de bois.
- c) **Ajuster la profondeur de coupe à l'épaisseur de la pièce à usiner.** On devrait voir moins d'une dent entière des dents de la

lame en-dessous de la pièce à usiner.

- d) Ne jamais tenir la pièce que vous coupez entre vos mains ou sur votre jambe. Fixer la pièce à usiner sur une plateforme stable.**

Il est important de soutenir correctement le travail pour réduire l'exposition du corps, la flexion de la lame ou la perte de contrôle.

- e) Tenez l'outil électrique uniquement par les surfaces de prise en main isolantes lorsque vous effectuez une opération où l'accessoire de coupe peut entrer en contact avec des fils cachés ou avec son propre cordon.** L'accessoire de coupe, s'il entre en contact avec un fil "sous tension", peut mettre les parties métalliques exposées de l'outil "sous tension" et électrocuter l'opérateur.
- f) Pour le sciage en long, toujours utiliser un guide longitudinal ou une règle à tracer.** Cela améliore l'exactitude de la coupe et réduit le risque de flexion de la lame.
- g) Toujours utiliser des lames de la bonne taille et la bonne forme (losange contre rond) de trous d'arbre.** Les lames qui ne correspondent pas aux pièces de montage de la scie couperont de manière excentrique, entraînant une perte de contrôle.
- h) Ne jamais utiliser de rondelle ou d'écrou de lame endommagé ou incorrect.** Les rondelles et les écrous de lame ont été conçus spécialement pour votre lame, pour des résultats optimaux et un fonctionnement sécuritaire.

**la lame mais non dans le prolongement de celle-ci.** L'effet de rebond pourrait faire sauter la scie en arrière mais ces forces peuvent être contrôlées par l'utilisateur si les mesures nécessaires sont prises.

- b) Lorsque la lame se grippe ou lorsque la coupe est interrompue pour quelques raisons, relâcher l'interrupteur et maintenir la scie dans la pièce de bois jusqu'à l'arrêt complet de l'outil. Ne jamais essayer de retirer la scie du travail ou de tirer la scie en arrière lorsque la lame est en marche ou un effet de rebond pourrait se produire.** Chercher la cause du grippage de la lame et prendre les mesures correctives.
- c) Lors du redémarrage de la scie dans la pièce de bois, centrer la scie dans la ligne de coupe et vérifier que les dents de la scie ne sont pas engagées dans la pièce.** Si la lame de scie est grippée, elle pourrait sauter hors de la pièce de bois lors du redémarrage de la scie.
- d) Supporter les gros panneaux afin de réduire le risque de dérapage ou de retour en arrière de la lame. Les gros panneaux ont tendance à fléchir sous leur propre poids.** Les supports doivent être placés sous la planche de chaque côté, près de la ligne de coupe et près du bord de la planche.
- e) Ne pas utiliser de lames émoussées ou endommagées.** Des lames non aiguisées ou incorrectes produisent des lignes de coupe étroites provoquant un frottement excessif, un grippage de la lame ou un effet de rebond.
- f) La profondeur de la lame et les leviers bloqués de réglage du biseau doivent être fixés fermement et en toute sécurité avant d'effectuer la coupe.** Si les réglages du biseau dévient pendant la coupe, cela pourrait provoquer le grippage de la lame ou un effet de rebond.
- g) Être davantage prudent lors de la scier sur des murs existants ou sur d'autres surfaces cachées.** La lame saillante peut couper des objets qui peuvent provoquer un effet de rebond.

## MESURES DE SÉCURITÉ SUPPLÉMENTAIRES POUR TOUT TYPE DE SCIE

### CAUSES ET PRÉVENTION DES EFFETS DE REBOND

- L'effet de rebond est une réaction soudaine d'une lame de scie mal alignée, tordue ou grippée qui dévie la scie de la pièce de bois vers l'utilisateur.
  - Lorsque la lame est grippée ou tordue près de l'extrémité de la coupe de scie, la lame se bloque et la réaction du moteur ramène très rapidement l'unité en direction de l'utilisateur.
  - Si la lame se tord ou s'aligne mal dans la coupe, la dent de l'extrémité arrière de la lame peut plonger dans la surface supérieure du bois et la lame peut sortir de la coupe de scie pour être projetée vers l'utilisateur. L'effet de rebond est le résultat d'une mauvaise utilisation de la scie et/ou de procédures ou de conditions d'utilisation incorrectes et peut être évité en suivant les instructions ci-dessous.
- a) Maintenir fermement la scie avec les deux mains et positionner les bras pour résister aux forces de l'effet de rebond. Positionner le corps de chaque côté de**

## CONSIGNES DE SÉCURITÉ POUR SCIE CIRCULAIRE AVEC PROTECTION INTÉRIEURE DE PENDULE

### SYSTÈME DE SÉCURITÉ INFÉRIEUR

- a) Vérifier que le capot inférieur soit bien fermé avant toute utilisation. Ne pas mettre la scie en marche si le capot inférieur ne bouge pas librement et ne se ferme pas instantanément. Ne jamais**

**mettre ou bloquer le capot inférieur sur la position ouverte.** Si la scie tombe accidentellement, le capot inférieur peut se tordre. Soulever le capot inférieur avec la poignée rétractable et s'assurer qu'il bouge librement et ne touche pas la lame ni aucune autre partie, dans tous les angles et profondeurs de coupe.

- b) Vérifier le bon fonctionnement du ressort du capot inférieur. Si le capot protecteur et le ressort ne fonctionnent pas correctement, ils doivent être réparés avant toute utilisation.** Le capot inférieur peut fonctionner lentement du fait de parties endommagées, de dépôts gommeux ou d'un amoncellement de débris.
- c) Le capot inférieur doit être retiré manuellement uniquement pour des coupes spéciales telles que " les coupes en plongée ". Soulever le capot inférieur en retirant la poignée et dès que la lame pénètre le matériau, le capot inférieur doit être relâché.** Pour toutes les autres opérations de sciage, le capot inférieur devrait fonctionner automatiquement.
- d) Toujours s'assurer que le capot inférieur recouvre la lame avant de poser la scie sur l'établi ou sur le sol.** Une lame à nue, non protégée provoquera un saut en arrière de la scie qui tranchera tout ce qui se trouve sur son passage. Prendre en compte le temps nécessaire à la lame pour s'arrêter après que l'interrupteur ait été relâché.

## CONSIGNES DE SÉCURITÉ PARTICULIÈRES POUR LES COUPES AVEC LA FONCTION EXACTRACK™

- a) Le carter inférieur se rétracte manuellement seulement pour les coupes avec la fonction EXACTRACK™. Levez le carter inférieur à l'aide de la poignée rétractable. Dès que la lame pénètre dans le matériau, relâchez le carter inférieur.** Pour tous les autres types de coupe, le carter inférieur doit fonctionner automatiquement.
- b) Pour des coupes avec EXACTRACK™, l'interrupteur ne peut être actionné que lorsque la lame pénètre dans le matériau.**

## MESURES DE SÉCURITÉ SUPPLÉMENTAIRES POUR SCIE

1. Utiliser uniquement des lames de scie

recommandées par le fabricant, conformes à la norme EN 847-1, si elles sont destinées à couper du bois et des matériaux similaires.

2. Ne pas utiliser de roues abrasives.
3. Utilisez uniquement le diamètre de la (des) lame (s) en conformité avec les marquages.
4. Utilisez une lame de scie adaptée au matériel à couper.
5. Utilisez uniquement des lames de scie marquées avec une vitesse égale ou supérieure à la vitesse marquée sur l'outil.

## MISES EN GARDE CONCERNANT LA BATTERIE

- a) La batterie et les piles secondaires ne doivent pas être ouvertes, démontées ou broyées.**
- b) La batterie ne doit pas être court-circuitée. Évitez de mettre la batterie en vrac dans une boîte ou dans un tiroir où elles risqueraient de se court-circuiter entre elles ou au contact d'autres objets métalliques.** Après usage, évitez tout contact de la batterie avec d'autres objets métalliques de petite taille (trombones, pièces, clés, clous, vis etc.) susceptibles de court-circuiter les pôles. Un court-circuit entre les pôles de la batterie peut être à l'origine de brûlures ou d'un incendie.
- c) La batterie ne doit pas être exposée au feu et à la chaleur. Évitez de la ranger à la lumière du soleil.**
- d) La batterie et les piles ne doivent pas être soumises à des chocs mécaniques.**
- e) En cas de fuite des piles, évitez tout contact du liquide avec la peau et les yeux. En cas de contact, rincez abondamment la surface touchée avec de l'eau et appelez les urgences.**
- f) En cas d'ingestion d'une pile ou d'une batterie, appelez immédiatement les urgences.**
- g) La batterie et les piles doivent rester propres et sèches.**
- h) Si la batterie ou les piles se salissent, essuyez-les avec un chiffon propre et sec.**
- i) La batterie et les piles doivent être chargées avant usage. Utilisez toujours le chargeur adéquat, et respectez les instructions du fabricant ou le mode d'emploi de l'appareil concernant la procédure de recharge.**
- j) Évitez de laisser une batterie se charger pendant trop longtemps lorsqu'elle n'est pas utilisée.**
- k) Après de longues périodes d'inutilisation, il peut être nécessaire de charger et décharger la batterie et les piles à plusieurs reprises avant que celles-ci ne retrouvent**

leur capacité maximale.

- l) La batterie et les piles fonctionnent au mieux de leur capacité dans une température ambiante normale, comprise entre +15°C et +25°C environ.**
- m) Les batteries fonctionnant avec des systèmes électrochimiques différents doivent être mis au rebut séparément.**
- n) N'utilisez pas d'autre chargeur que celui spécifié par WORX. N'utilisez pas d'autre chargeur que celui spécifiquement fourni avec l'appareil.** Un chargeur destiné à un type de batterie donné peut être à l'origine d'un incendie s'il est utilisé avec une autre batterie.
- o) N'utilisez en aucun cas une batterie autre que celle prévue pour cet appareil.**
- p) La batterie doit être tenue hors de portée des enfants.**
- q) Gardez la documentation d'origine du produit afin de pouvoir vous y référer ultérieurement.**
- r) Enlevez la batterie de l'appareil lorsque vous ne l'utilisez pas.**
- s) Respectez les procédures de mise au rebut.**
- t) Ne pas mélanger des piles de fabrication, capacité, taille ou type différents dans un appareil.**
- u) Ne pas retirer les batteries de leur emballage d'origine avant leur utilisation.**
- v) Noter les signes plus (+) et moins (-) sur la batterie et respecter la bonne utilisation.**

	Ne pas brûler
	Ne pas jeter les batteries. Les batteries usagées doivent être déposées dans un centre de collecte local ou dans un centre de recyclage.
	Assurez-vous de bien enlever la batterie avant de changer les accessoires ou d'effectuer un réglage quelconque sur l'outil.
	Portez des gants de protection
	Bois
	Lame avec dents en carbure
	Verrouiller
	Déverrouiller
	Les déchets d'équipements électriques et électroniques ne doivent pas être déposés avec les ordures ménagères. Ils doivent être collectés pour être recyclés dans des centres spécialisés. Consultez les autorités locales ou votre revendeur pour obtenir des renseignements sur l'organisation de la collecte.

## SYMBOLES

	Pour réduire le risque de blessure, l'utilisateur doit lire le mode d'emploi.
	AVERTISSEMENT
	Porter une protection pour les oreilles
	Porter une protection pour les yeux
	Porter un masque contre la poussière
	Ne pas exposer à la pluie ou à l'eau

## LISTE DES COMPOSANTS

- 1. BOUTON DE SÉCURITÉ**
- 2. INTERRUPTEUR MARCHÉ/ARRÊT**
- 3. POIGNÉE AVANT**
- 4. MARQUAGE DE LA COUPE 0°**

<b>5. MARQUAGE DE LA COUPE 45°</b>
<b>6. PLAQUE DE BASE PRINCIPALE</b>
<b>7. VERROU DE BISEAU DE LA SEMELLE</b>
<b>8. GRADUATIONS D'ANGLE PLAQUE D'ASSISE</b>
<b>9. CLÉ</b>
<b>10. PACK BATTERIE*</b>
<b>11. VERROU DE PACK BATTERIE*</b>
<b>12. PROTECTION FIXE</b>
<b>13. BUSE D'ASPIRATION</b>
<b>14. LEVIER DU CAPOT PROTECTEUR DE LAME INFERIEUR</b>
<b>15. EXACTRACK™ SOUS-PLAQUE DE BASE</b>
<b>16. LAME DE SCIE</b>
<b>17. BRIDE EXTÉRIEURE</b>
<b>18. BOULON DE LAME</b>
<b>19. CAPOT PROTECTEUR DE LAME INFERIEUR</b>
<b>20. BROCHE</b>
<b>21. BRIDE INTÉRIEURE</b>
<b>22. GRADUATION DE PROFONDEUR DE COUPE (Voir Fig. E)</b>
<b>23. BOUTON DE BLOCAGE DE PROFONDEUR (Voir Fig. E)</b>
<b>24. LEVIER DE COMMUTATION (Voir Fig. E)</b>
<b>25. BOUTON DE BLOCAGE (Voir Fig. K2)</b>

\*Les accessoires reproduits ou décrits ne sont pas tous compris avec le modèle standard livré.

## CARACTÉRISTIQUES TECHNIQUES

Modèle **WX530 WX530.1 WX530.9** (5-désignations des pièces, illustration de la Scie)

	<b>WX530</b>	<b>WX530.1</b>	<b>WX530.9</b>
Tension nominale	20 V $\equiv$ Max**		
Vitesse (nominale) à vide	4900/min		
Diamètre de lame	165 mm		
Alésage de lame	20 mm		
Capacité de coupe			

Profondeur de coupe à 45°	39 mm
Profondeur de coupe à 90°	55 mm
Capacité du biseau	0-50°
Poids de la machine(sans batterie)	2.3 kg

\*\*La tension est mesurée à vide. La tension initiale de la batterie atteint un maximum de 20 volts. La tension nominale est de 18 volts.

## INFORMATIONS RELATIVES AU BRUIT

Niveau de pression acoustique	$L_{pA} = 82.8$ dB(A)
Niveau de puissance acoustique	$L_{WA} = 93.8$ dB(A)
$K_{pA} \& K_{WA}$	3 dB(A)

**Porter des protections auditives.**



## INFORMATIONS RELATIVES AUX VIBRATIONS

Valeurs totales de vibrations déterminées selon la norme EN 62841:

Valeur d'émission de vibrations:	Découpe dans du bois: $a_{h,W} = 6.572$ m/s <sup>2</sup>
	Incertitude $K = 1.5$ m/s <sup>2</sup>

La valeur totale de vibration déclarée et la valeur d'émission de bruit déclarée ont été mesurées conformément à la méthode d'essai standard et peuvent être utilisées pour comparer un outil à un autre. La valeur totale de vibration déclarée et la valeur d'émission de bruit déclarée peuvent également être utilisées lors d'une évaluation préliminaire de l'exposition.

**⚠ AVERTISSEMENT:** les vibrations et les émissions de bruit au cours de l'utilisation réelle de l'outil électrique peuvent varier de la valeur déclarée en fonction du mode d'utilisation de l'outil, en particulier du type de pièce traité selon les exemples suivants et d'autres variations concernant le mode d'utilisation de l'outil :

Comment l'outil est utilisé et quels matériaux sont coupés ou percés.

L'outil est en bon état et bien entretenu.

L'utilisation du bon accessoire pour l'outil et l'assurance qu'il est affûté et en bon état.

La force avec laquelle vous serrez les poignées et l'utilisation éventuelle d'un quelconque accessoire anti-bruit et anti-vibration.

Et l'outil est utilisé comme prévu dans sa conception et dans les présentes instructions.

**Cet outil peut causer un syndrome de vibration du bras et de la main s'il n'est pas correctement géré.**

 **AVERTISSEMENT:** Pour être précise, une évaluation du niveau d'exposition en conditions réelles d'utilisation doit également tenir compte de toutes les parties du cycle d'utilisation telles que les moments où l'outil est éteint, et ceux où il fonctionne au ralenti mais ne réalise pas réellement de tâche. Ceci peut réduire de façon significative le niveau d'exposition et la période de fonctionnement totale.

Facteurs contribuant à minimiser votre risque d'exposition aux vibrations et au bruit.

Utilisez TOUJOURS des ciseaux, des forets et des lames affûtés.

Entretenez cet outil en accord avec les présentes instructions et maintenez-le lubrifié (si approprié).

Si l'outil doit être fréquemment utilisé, investissez dans des accessoires anti-bruit et anti-vibration.

Planifiez votre travail pour étaler toute utilisation d'outil à fortes vibrations sur plusieurs jours.

## ACCESSOIRES

	WX530	WX530.1	WX530.9
Lame avec dents en carbure	1	1	1
Adaptateur pour poussière	1	1	1
Clé	1	1	1
Batterie (WA3551.1)	1	/	/
Batterie (WA3553)	/	1	/
Chargeur (WA3860)	1	1	/

Nous recommandons d'acheter tous les accessoires dans le magasin d'acquisition de l'outil. Pour plus d'informations, se référer à l'emballage des accessoires. Le personnel du magasin est également là pour vous conseiller.

## INSTRUCTIONS D'UTILISATION

 **REMARQUE:** Avant d'utiliser cet outil, lire attentivement le mode d'emploi.

### UTILISATION CONFORME

L'outil est destiné au sciage en long et au tronçonnage du bois et d'autres matériaux en lignes droites, tout en reposant fermement sur la pièce.

## ASSEMBLAGE ET FONCTIONNEMENT

ACTION	FIGURE
<b>AVANT UTILISATION</b>	
Monter/retirer la batterie	Voir Fig. A1
Chargement la batterie	Voir Fig. A2
Contrôle des conditions de charge de la batterie (uniquement pour WX530.1)	Voir Fig. A3
<b>ASSEMBLAGE</b>	
Assemblage et retrait de la lame de découpe <b>Remarque : Pour verrouiller ou desserrer le boulon de la lame, il faut appuyer sur le bouton de verrouillage de la broche.</b>  <b>AVERTISSEMENT:</b> Toujours retirer la batterie avant de changer la lame!	Voir Fig. B
Entreposage de la cle hexagonale	Voir Fig. C
<b>FONCTIONNEMENT</b>	
Interrupteur de sécurité marche/arrêt  <b>AVERTISSEMENT:</b> pour éviter de couper avec la lame tranchante, veuillez ne pas mettre vos mains autour de la plaque d'assise. <b>REMARQUE:</b> Gardez l'adaptateur de poussière connecté au dispositif collecteur de poussière lorsque vous utilisez l'outil.	Voir Fig. D
Ajustement de la profondeur de découpe	Voir Fig. E
Guide de coupe	Voir Fig. F
Coupes biseautées <b>REMARQUE:</b> La coupe biseautée ne peut pas être utilisée en mode EXACTRACK™.	Voir Fig. G
Évacuation de la sciure	Voir Fig. H

### EXACTRACK™

**Qu'est-ce que EXACTRACK™?**

EXACTRACK™ est une fonction innovante, permettant de réaliser une coupe droite plus

facilement en maintenant la lame contre le bord du guide de coupe.

### Consignes de sécurité

**AVERTISSEMENT: Les dents de la lame sont très coupantes. Portez des gants de protection.**

**Tenir les mains éloignées du carter inférieur de la lame après avoir ouvert le carter inférieur de la lame.**

### Champ de fonctionnement de EXACTRACK™

1. EXACTRACK™ fonctionne à des profondeurs entre 0 et 43 mm. (Voir Fig. I)
2. EXACTRACK™ fonctionne uniquement à un angle de coupe de 90°. Cette fonction ne fonctionne pas avec un angle pour une coupe en biseau.

### Avant utilisation

**AVERTISSEMENT: Retirer la batterie de l'outil avant de procéder à un réglage et la placer à proximité de la scie.**

1. Régler à la profondeur de coupe désirée (entre 0 et 43 mm). (Voir Fig. I)
2. Tourner le levier en mode EXACTRACK™. (Voir Fig. J)
3. Marquer la ligne de coupe désirée sur la pièce à usiner, puis fixer le guide de coupe (non fourni) pour mettre le bord de coupe juste sur la ligne de coupe. La longueur du guide de coupe doit laisser un espace de 230 mm aux deux extrémités. (Voir Fig. K1)
4. Placer la sous-plaque de base de EXACTRACK™ (partie rouge) sur la partie supérieure du guide de coupe (non fourni) et s'assurer que la plaque de base principale repose sur la pièce à usiner. (Voir Fig. K2)
5. Ouvrir le carter inférieur de la lame manuellement

(**AVERTISSEMENT: Tenir les mains éloignées de la lame**), pousser la scie contre le bord du guide de coupe, puis retirer la main du carter inférieur de la lame. (Voir Fig. K3)

### Fonctionnement

1. Installation de la batterie.
2. Tenir la scie fermement avec les deux mains et s'assurer que la plaque de base est maintenue en sécurité contre le guide de coupe (non fourni) pendant la coupe. (Voir Fig. K4)
3. Allumer l'outil pour commencer à couper. (Voir Fig. K5)

### Mode STANDARD

Pour une coupe à 90 degré ou un biseau (fonction EXACTRACK™ désactivée), tourner le levier sur le mode STANDARD. Vous pouvez maintenant utiliser l'outil comme une scie circulaire normale. (Voir Fig. L) Le mode STANDARD peut être utilisé pour couper à des profondeurs entre 0 et 55 mm (90 degrés) et entre 0 et 39mm (45 degrés).

**Pour en savoir plus sur le produit, visitez [www.worx.com](http://www.worx.com) et regardez les vidéos Comment faire.**



## ASTUCES CONCERNANT VOTRE OUTIL

Si l'outil motorisé devient trop chaud, faites-le tourner à vide pendant 2-3 minutes pour refroidir le moteur. Évitez l'usage prolongé de votre machine à très faible vitesse.

Protéger les lames de scie contre les chocs et les coups. Ne pas forcer l'outil. Appliquer une légère pression de façon continue pour éviter toute surchauffe des dents de la lame. Une alimentation excessive réduit significativement la capacité de performance de la machine et réduit la durée de vie des lames de scie. La performance du sciage et la qualité de coupe dépendent essentiellement de la condition et de la forme des dents de la lame de scie. Par conséquent n'utiliser que des lames de scie aiguisées qui conviennent au matériel sur lequel vous devez travailler.

Choix de lames: 24 dents pour le travail général, approximativement. 40 dents pour des coupes plus fines, plus de 40 dents pour des coupes très fines en surfaces délicates, panneau en ciment, etc. Utilisez uniquement les lames conseillées.

31

## PRENEZ SOIN DE VOS OUTILS ET ENTRETENEZ LES BIEN

**Retirer la batterie de l'outil avant de procéder à un réglage, une réparation ou un entretien.**

En les gardant bien affûtés et propres, vous en obtiendrez le rendement maximum dans des conditions optimales de sécurité. Suivez les instructions pour le graissage ou la pose et le démontage des accessoires. L'outil motorisé ne requiert pas de graissage ou d'entretien supplémentaire. Il n'y a pas de pièces réparables par l'utilisateur dans cet outil. Ne jamais utiliser d'eau ou de nettoyants chimiques pour nettoyer l'outil. Nettoyer avec un chiffon sec. Toujours conserver l'outil motorisé dans un endroit sec. Maintenir les fentes de ventilation du moteur propres. Empêcher que les commandes de marche soient couvertes de sciure.

Ôtez régulièrement la sciure et les copeaux de la sécurité et de la semelle afin de garantir une performance adéquate.

### POUR LES OUTILS À BATTERIE

La plage de température ambiante d'utilisation de l'outil et de la batterie est 0°C -45°C.

La plage de température ambiante recommandée pour

le système de recharge au cours de la charge est 0°C-40°C.

## PROTECTION DE L'ENVIRONNEMENT



Les déchets d'équipements électriques et électroniques ne doivent pas être déposés avec les ordures ménagères. Ils doivent être collectés pour être recyclés dans des centres spécialisés. Consultez les autorités locales ou votre revendeur pour obtenir des renseignements sur l'organisation de la collecte.

## DÉPANNAGE

Problème	Causes possibles	Remède
L'outil ne démarre pas en actionnant le bouton on/off.	La batterie n'est pas connectée. La batterie est éteinte.	Vérifier que la batterie est bien connectée à l'outil de travail. Charger la batterie.
La profondeur de coupe est inférieure à celle prévue.	Sciure accumulée à l'arrière de la semelle.	Époussetez la sciure. Envisagez de connecter un aspirateur pour le ramassage de la sciure.
La lame patine ou glisse.	La lame n'est pas profondément enclenchée avec le fuseau.	Ôtez la lame et remontez-la à nouveau tel que décrit dans la section <b>Assemblage et retrait de la lame de découpe</b> .
La lame ne coupe pas en ligne droite.	La lame est émoussée. La lame n'est pas montée correctement. La scie n'est pas guidée correctement.	Montez une nouvelle lame bien aiguisée sur la scie. Vérifiez que la lame est montée correctement. Utilisez des guides parallèles.
La lame a un effet de rebond au début de la coupe.	La lame ne tourne pas assez vite.	Laissez la lame de la scie atteindre sa pleine vitesse avant de commencer une coupe.

## DÉCLARATION DE CONFORMITÉ

Nous,  
POSITEC Germany GmbH  
Grüner Weg 10, 50825 Cologne, Germany

Déclarons que ce produit  
Description **Scie circulaire alimentée par batterie**  
Modèle **WX530 WX530.1 WX530.9 (5-désignations des pièces, illustration de la Scie)**  
Fonctions **La coupe de matériaux différents avec une lame dentée tournante**

Est conforme aux directives suivantes:  
**2006/42/EC, 2014/30/EU, 2011/65/EU&(EU)2015/863**

Est conforme aux normes  
**EN 62841-1, EN 62841-2-5, EN 55014-1, EN 55014-2**

La personne autorisée à compiler le dossier technique,

**Nom Marcel Filz**  
**Adresse Positec Germany GmbH Grüner Weg 10, 50825 Cologne, Germany**



2019/5/28  
Allen Ding  
Ingénieur en chef adjoint, Essais & Certification  
Positec Technology (China) Co., Ltd  
18, Dongwang Road, Suzhou Industrial Park,  
Jiangsu 215123, P.R. China

# SICUREZZA DEL PRODOTTO

## AVVISI GENERALI PER LA SICUREZZA DEGLI UTENSILI A MOTORE

 **AVVERTENZA:** Leggere tutte le avvertenze di sicurezza, le istruzioni, le illustrazioni e le specifiche fornite con questo elettroutensile. La mancata osservanza delle istruzioni elencate di seguito potrebbe provocare una scossa elettrica, un incendio e/o lesioni gravi.

**Conservare tutti gli avvisi e le istruzioni per poterli consultare quando necessario.**

Il termine «elettroutensile elettrico» utilizzato di seguito in questo manuale si riferisce a utensili elettrici alimentati dalla rete (con linea di allacciamento), oltre che ad utensili elettrici alimentati a batteria (senza linea di allacciamento).

### 1) POSTO DI LAVORO

- a) **Mantenere pulito ed ordinato il posto di lavoro.** Il disordine e le zone di lavoro non illuminate possono essere fonte di incidenti.
- b) **Evitare d'impiegare l'utensile in ambienti soggetti al rischio di esplosioni nei quali si trovino liquidi, gas o polveri infiammabili.** Gli utensili elettrici producono scintille che possono far infiammare la polvere o il gas.
- c) **Mantenere lontani i bambini ed altre persone durante l'impiego dell'utensile elettrico.** Eventuali distrazioni potranno comportare la perdita del controllo sull'utensile.

### 2) SICUREZZA ELETTRICA

- a) **La spina per la presa di corrente dovrà essere adatta alla presa. Evitare assolutamente di apportare modifiche alla spina. Non impiegare spine adattatrici assieme ad utensili con collegamento a terra.** Le spine non modificate e le prese adatte allo scopo riducono il rischio di scosse elettriche.
- b) **Evitare il contatto fisico con superfici collegate a terra, come tubi, riscaldamenti, cucine elettriche e frigoriferi.** Sussiste un maggior rischio di scosse elettriche nel momento in cui il corpo è messo a massa.
- c) **Custodire l'utensile al riparo dalla pioggia o dall'umidità.** L'eventuale infiltrazione di acqua in un utensile elettrico va ad aumentare il rischio d'insorgenza di scosse elettriche.
- d) **Non usare il cavo per scopi diversi da quelli previsti al fine di trasportare o appendere l'apparecchio, oppure di togliere la spina dalla presa di corrente. Mantenere l'utensile al riparo da fonti di calore, dall'olio, dagli spigolosi da parti di strumenti in movimento.** I cavi danneggiati o aggrovigliati aumentano il rischio d'insorgenza di scosse elettriche.
- e) **Qualora si voglia usare l'utensile**

**all'aperto, impiegare solo ed esclusivamente cavi di prolunga omologati per l'impiego all'esterno.** L'uso di un cavo di prolunga omologato per l'impiego all'esterno riduce il rischio d'insorgenza di scosse elettriche.

- f) **Se si deve utilizzare l'utensile a motore in un luogo umido, utilizzare una fonte di alimentazione con protezione a corrente residua.** L'uso di un dispositivo a corrente residua reduce il rischio di folgorazioni elettriche.

### 3) SICUREZZA DELLE PERSONE

- a) **È importante concentrarsi su ciò che si sta facendo e a maneggiare con giudizio l'utensile elettrico durante le operazioni di lavoro. Non utilizzare l'utensile in caso di stanchezza o sotto l'effetto di droghe, bevande alcoliche e medicinali.** Un attimo di distrazione durante l'uso dell'utensile potrà causare lesioni gravi.
- b) **Indossare sempre equipaggiamento protettivo individuale, nonché guanti protettivi.** Se si avrà cura d'indossare equipaggiamento protettivo individuale come la maschera antipolvere, la calzatura antiscuocciolo di sicurezza, il casco protettivo o la protezione dell'udito, a seconda dell'impiego previsto per l'utensile elettrico, si potrà ridurre il rischio di ferite.
- c) **Evitare avviamenti involontari. Controllare che l'interruttore sia nella posizione off prima di effettuare il collegamento a una sorgente di alimentazione/batteria, e prima di sollevare o trasportare l'utensile.** Il fatto di tenere il dito sopra all'interruttore o di collegare l'utensile acceso all'alimentazione di corrente potrà essere causa di incidenti.
- d) **Togliere gli attrezzi di regolazione o la chiave inglese prima di accendere l'utensile.** Un utensile o una chiave inglese che si trovino in una parte di strumento in rotazione potranno causare lesioni.
- e) **È importante non sopravvalutarsi. Avere curati mettersi in posizione sicura e di mantenere l'equilibrio.** In tale maniera sarà possibile controllare meglio l'apparecchio in situazioni inaspettate.
- f) **Indossare vestiti adeguati. Evitare di indossare vestiti lenti o gioielli. Tenere i capelli, i vestiti ed i guanti lontani da pezzi in movimento.** Vestiti lenti, gioielli o capelli lunghi potranno impigliarsi in pezzi in movimento.
- g) **Se sussiste la possibilità di montare dispositivi di aspirazione o di captazione della polvere, assicurarsi che gli stessi siano stati installati correttamente e vengano utilizzati senza errori.** L'impiego dei suddetti dispositivi diminuisce il pericolo rappresentato dalla polvere.
- h) **Non lasciare che la familiarità acquisita con l'utilizzo frequente dell'elettroutensile si trasformi in autocompiacimento e**

#### **trascuratezza dei principi di sicurezza.**

Un'azione imprudente può causare lesioni gravi entro una frazione di secondo.

#### **4) MANEGGIO ED IMPIEGO ACCURATO DI UTENSILI ELETTRICI**

- a) Non sovraccaricare l'utensile. Impiegare l'utensile elettrico adatto per sbrigare il lavoro.** Utilizzando l'utensile elettrico adatto si potrà lavorare meglio e con maggior sicurezza nell'ambito della gamma di potenza indicata.
- b) Non utilizzare utensili elettrici con interruttori difettosi.** Un utensile elettrico che non si può più accendere o spegnere è pericoloso e dovrà essere riparato.
- c) Scollegare la spina dalla sorgente di alimentazione e/o la batteria dall'utensile prima di effettuare regolazione, cambiare accessori, o riporre gli utensili a motore.** Tale precauzione eviterà che l'apparecchio possa essere messo in funzione inavvertitamente.
- d) Custodire gli utensili elettrici non utilizzati al di fuori della portata dei bambini. Non fare usare l'apparecchio a persone che non sono abituate ad usarlo o che non abbiano letto le presenti istruzioni.** Gli utensili elettrici sono pericolosi se utilizzati da persone inesperte.
- e) Effettuare accuratamente la manutenzione dell'apparecchio. Verificare che le parti mobili dello strumento funzionino perfettamente e non s'inceppino, che non ci siano pezzi rotti o danneggiati al punto tale da limitare la funzione dell'apparecchio stesso. Far riparare le parti danneggiate prima d'impiegare l'apparecchio.** Numerosi incidenti vengono causati da utensili elettrici la cui manutenzione è stata effettuata poco accuratamente.
- f) Mantenere affilati e puliti gli utensili da taglio.** Gli utensili da taglio curati con particolare attenzione e con taglienti affilati s'inceppano meno frequentemente e sono più facili da condurre.
- g) Utilizzare utensili elettrici, accessori, attrezzi, ecc. in conformità con le presenti istruzioni e secondo quanto previsto per questo tipo specifico di apparecchio. Osservare le condizioni di lavoro ed il lavoro da eseguirsi durante l'impiego.** L'impiego di utensili elettrici per usi diversi da quelli consentiti potrà dar luogo a situazioni di pericolo.
- h) Mantenere le impugnature e le superfici di presa asciutte, pulite e prive di olio e grasso.** Le impugnature e le superfici di presa scivolose non permettono l'uso e il controllo sicuri dell'elettro utensile in situazioni imprevedibili.

#### **5) MANEGGIO ED IMPIEGO ACCURATO DI ACCUMULATORI**

- a) Caricare l'accumulatore solo ed esclusivamente nei dispositivi di carica consigliati dal produttore.** Per un dispositivo

di carica previsto per un determinato tipo di accumulatore, sussiste pericolo di incendio, se utilizzato con un accumulatore di tipo diverso.

- b) Utilizzare negli utensili elettrici solo ed esclusivamente gli accumulatori previsti allo scopo.** L'uso di accumulatori di tipo diverso potrà dare insorgenza a lesioni e comportare il rischio d'incendi.
- c) Tenere l'accumulatore non utilizzato lontano da graffette, monete, chiavi, chiodi, viti o da altri oggetti in metallo di piccole dimensioni che potrebbero causare un ponte tra i contatti.** Un eventuale corto circuito tra i contatti dell'accumulatore potrà dare origine a bruciature o ad incendi.
- d) In caso di impiego sbagliato, potranno insorgere fuoriuscite di liquido dall'accumulatore. Evitarne il contatto. In caso di contatto casuale, sciacquare con acqua. Qualora il liquido dovesse entrare in contatto con gli occhi, chiedere immediato consiglio al medico.** Il liquido fuoriuscito dall'accumulatore potrà causare irritazioni cutanee o bruciature.
- e) Non utilizzare una batteria o un elettro utensile danneggiati o modificati.** Le batterie danneggiate o modificate potrebbero manifestare un comportamento imprevedibile con la possibilità di causare un'esplosione o un incendio.
- f) Non esporre una batteria o un utensile al fuoco o a temperature elevate.** L'esposizione al fuoco o a una temperatura superiore a 130°C potrebbe provocare un'esplosione.
- g) Seguire tutte le istruzioni per la carica e non caricare la batteria o l'elettro utensile a una temperatura che non rientri nell'intervallo di valori specificato nelle istruzioni.** Una ricarica effettuata in maniera scorretta o a una temperatura che non rientra nell'intervallo di valori specificato, potrebbe danneggiare la batteria aumentando il rischio d'incendio.

#### **6) ASSISTENZA**

- a) Fare riparare l'apparecchio solo ed esclusivamente da personale specializzato e solo impiegando pezzi di ricambio originali.** In tale maniera potrà essere salvaguardata la sicurezza dell'apparecchio.
- b) Non riparare le batterie danneggiate.** Gli interventi di riparazione sulle batterie devono essere eseguiti dal costruttore o da fornitori di assistenza autorizzati.

## **ISTRUZIONI DI SICUREZZA PER TUTTE LE SEGHE**

#### **PROCEDURE DI TAGLIO**

- a)  ATTENZIONE: Tenere le mani lontane dalla zona di taglio e dalla lama. Tenere una mano sull'impugnatura**

**principale e l'altra mano sull'impugnatura ausiliaria, oppure sull'alloggio del motore.**

Se entrambe le mani tengono la sega, non possono essere tagliate dalla lama.

- b) Non toccare la parte inferiore del pezzo in lavorazione.** La protezione non può proteggere dalla lama sulla parte inferiore del pezzo in lavorazione.
- c) Regolare la profondità di taglio a seconda dello spessore del pezzo in lavorazione.** Sulla parte inferiore del pezzo in lavorazione deve essere visibile meno della metà del dente della lama.
- d) Non tenere mai in mano o appoggiati alle gambe il pezzo in lavorazione.** Fissare il pezzo in lavorazione a una piattaforma stabile. È importante fissare il pezzo da lavorare in modo appropriato per ridurre al minimo i contatti con il corpo, inceppamenti della lama e perdite di controllo dell'elettro utensile.
- e) Tenere l'utensile solo dalle apposite superfici, in particolare durante l'esecuzione di operazioni nelle quali l'accessorio di taglio può venire a contatto con cavi nascosti o con il cavo di alimentazione della sega stessa.** L'accessorio di taglio potrebbe venire a contatto con un cavo sotto tensione e la corrente potrebbe passare attraverso le parti metalliche dell'utensile ed esporre l'operatore al rischio di folgorazione.
- f) Quando si eseguono tagli longitudinali, usare una guida di taglio oppure una guida di scorrimento rettilinea.** In questo modo si migliora l'accuratezza del taglio e si riducono le possibilità d'inceppamento della lama.
- g) Usare sempre lame di dimensioni e forma corrette (romboidale piuttosto che tonda) rispetto ai fori per l'albero della sega circolare.** Le lame che non corrispondono al sistema di montaggio della sega, funzioneranno in modo anomalo e provocheranno la perdita di controllo.
- h) Non usare mai rondelle o bulloni delle lame che siano danneggiati o inappropriati.** Le rondelle e i bulloni delle lame sono concepiti specificamente per la sega, per fornire prestazioni ottimali e sicurezza operativa.

## **ALTRE ISTRUZIONI DI SICUREZZA PER TUTTE LE SEGHE**

### **Cause dei contraccolpi e istruzioni per prevenirli**

- I contraccolpi sono reazioni immediate all'incastro, inceppamento o mancato allineamento delle lame che provocano il sollevamento e l'allontanamento incontrollato

dell'utensile dal pezzo in lavorazione verso l'operatore.

- Quando la lama è incastrata o inceppata saldamente nel solco del taglio, la lama va in stallo e la reazione del motore porta la sega rapidamente verso l'operatore.
- Se la lama si deforma o perde l'allineamento con il taglio, i denti della parte posteriore possono scavare la superficie del legno provocando la fuoriuscita della lama dal solco facendo saltare la sega verso l'operatore. I contraccolpi sono il risultato di un abuso della sega e/o di procedure o condizioni operative scorrette che possono essere evitate adottando le precauzioni appropriate riportate di seguito.
- a) Mantenere una presa salda con entrambe le mani sulla sega e posizionare le braccia in modo da resistere alla forza del contraccolpo. Tenersi con il corpo a latodella lama, non in linea con la stessa.** Un contraccolpo può provocare rimbalzi della sega, ma la forza del contraccolpo può essere controllata dall'operatore se sono prese le precauzioni appropriate.
- b) Quando la lama è inceppata, oppure quando si interrompe il taglio per qualsiasi motivo, rilasciare il grilletto e tenere ferma la sega sul materiale finché la lama si è fermata completamente. Non tentare mai di rimuovere la sega dal pezzo in lavorazione, oppure di estrarre la sega mentre la lama è in movimento, altrimenti si verificherebbe il contraccolpo.** Trovare e risolvere la causa dell'inceppamento della lama.
- c) Quando si riavvia la macchina sul pezzo in lavorazione, centrare la sega nel solco del taglio e verificare che i denti non siano impegnati nel materiale.** Se la lama è inceppata, potrebbe scattare in avanti o rimbalzare dal pezzo in lavorazione appena viene riavviata la sega.
- d) Fissare i pannelli di grandi dimensioni per ridurre al minimo il rischio di inceppamenti della lama e di contraccolpi.** I pannelli di grandi dimensioni tendono a crollare sotto il loro stesso peso. Devono essere collocati dei supporti sotto entrambi i lati dei pannelli, vicino alla linea di taglio e sui lati del pannello.
- e) Non usare lame spuntate o danneggiate.** Lame spuntate o installate in modo inappropriato, producono solchi ridotti che causano una eccessiva frizione, l'inceppamento della lama ed il contraccolpo.
- f) Prima di eseguire il taglio, le leve di blocco della profondità di taglio e del taglio a bisello devono essere strette e bloccate.** Se la regolazione della lama si sposta durante il taglio, si verifica un inceppamento della lama e il contraccolpo.
- g) Usare particolare attenzione quando si eseguono tagli su pareti o altre zone cieche.** La lama potrebbe tagliare oggetti che provocano contraccolpi.

## ISTRUZIONI DI SICUREZZA PER SEGA CIRCOLARE CON PROTEZIONE INTERNA DEL PENDOLO

### Funzione di protezione inferiore

- a) **Prima di ogni uso verificare che la protezione inferiore si chiuda in modo appropriato. Non usare la sega se la protezione inferiore non si muove liberamente e non si chiude istantaneamente. Non fissare né legare mai la protezione inferiore in posizione di apertura.** Se la sega viene fatta cadere accidentalmente, la protezione inferiore può deformarsi. Sollevare la protezione inferiore con l'impugnatura retrattile e assicurarsi che si muova liberamente e non tocchi la lama o altre parti, in tutte le angolazioni e profondità di taglio.
- b) **Controllare il funzionamento della molla della protezione inferiore. Se la protezione e la molla non funzionano in modo appropriato, devono essere riparate prima dell'uso.** La protezione inferiore può funzionare in modo rallentato a causa di parti danneggiate, depositi gommosi o un accumulo di sporcizia.
- c) **La protezione inferiore deve essere aperta manualmente solamente per tagli speciali come i "tagli ad affondo" ed i "tagli complessi". Sollevare la protezione inferiore usando l'impugnatura retrattile che deve essere abbassata quando la lama affonda nel materiale.** Per tutti gli altri tagli, la protezione inferiore deve sempre funzionare automaticamente.
- d) **Accertarsi sempre che la protezione inferiore copra la lama prima di appoggiare la sega su mobili o sul pavimento.** Questo eviterà di danneggiare i mobili o il pavimento. Prestare attenzione al tempo che impiega la lama per fermarsi dopo avere rilasciato l'interruttore.

## ISTRUZIONI DI SICUREZZA AGGIUNTIVE PER I TAGLI EXACTRACK™

- a) **La protezione inferiore può essere ritratta manualmente solo per i tagli EXACTRACK™.** Utilizzando l'impugnatura retrattile, alzare la protezione inferiore e appena la lama penetra nel materiale, rilasciare la protezione inferiore. Per tutti gli altri tagli, la protezione inferiore deve funzionare automaticamente.
- b) **Durante i tagli EXACTRACK™ l'interruttore di accensione può essere azionato appena la lama penetra nel materiale.**

## ALTRE ISTRUZIONI DI SICUREZZA PER LA SEGA CIRCOLARE

1. Utilizzare esclusivamente lame raccomandate dal produttore, conformi alla norma EN 847-1, se intese per tagliare il legno e materiali analoghi.
2. Non usare alcun tipo di disco abrasivo.
3. Usare esclusivamente lame con diametro conforme a quello contrassegnato.
4. Identificare la lama corretta per il materiale da tagliare.
5. Utilizzare esclusivamente lame sulle quali è marcata una velocità uguale o maggiore alla velocità marcata sulla sega.

## ISTRUZIONI PER LA SICUREZZA DEL PACCO BATTERIA

- a) **Non smontare, aprire o strappare le cellule secondarie o il pacco batteria.**
- b) **Non cortocircuitare un pacco batteria. Non conservare un pacco batteria disordinatamente in una scatola o un cassetto in cui potrebbero cortocircuitarsi tra essi o essere cortocircuitati da altri oggetti metallici.** Quando il pacco batteria non è in uso, tenerlo lontano da altri oggetti metallici come graffette, monete, chiavi, chiodi, viti e altri piccoli oggetti metallici, potrebbe avverarsi un collegamento tra i due terminali. Collegare i terminali della batteria potrebbe causare incendi o ustioni.
- c) **Non esporre il pacco batteria a calore o fuoco. Evitare di conservarli alla luce diretta del sole.**
- d) **Non sottoporre il pacco batteria a scosse meccaniche.**
- e) **Evitare di perdite da una cellula, evitare che il liquido entri in contatto con la pelle o gli occhi. In caso di contatto, lavare l'area interessata con abbondante acqua e consultare un medico.**
- f) **Se si ingerisce una cellula o un pacco batteria, consultare immediatamente un medico.**
- g) **Tenere le cellule e il pacco batteria puliti e asciutti.**
- h) **Pulire i terminali delle cellule e del pacco batteria con un panno pulito e asciutto nel caso in cui si sporchino.**
- i) **Il pacco batteria deve essere caricato prima dell'uso. Utilizzare sempre il caricatore corretto e consultare le istruzioni.**
- j) **Non lasciare un pacco batteria in carica se non in uso.**
- k) **Dopo lunghi periodi di conservazione,**

potrebbe essere necessario caricare e scaricare le cellule o il pacco batteria diverse volte per ottenere le massime prestazioni.

- l) Il pacco batteria offre prestazioni ottimali se utilizzate ad una temperatura ambiente normale (20°C ± 5°C).
- m) Quando si smaltiscono i pacchi batteria, tenere i pacchi batteria con diversi sistemi elettrochimici separati gli uni dagli altri.
- n) Ricaricare solo con il caricatore specificato da quelli forniti per l'uso specifico con l'apparecchiatura. Un caricatore adatto ad un tipo di pacco batteria potrebbe provocare rischi d'incendi quando è usato con un altro pacco batteria.
- o) Non utilizzare un pacco batteria non progettato per l'uso con l'apparecchiatura.
- p) Tenere il pacco batteria fuori dalla portata dei bambini.
- q) Conservare i documenti originali del prodotto per riferimenti futuri.
- r) Rimuovere la batteria dall'apparecchiatura, se non in uso.
- s) Smaltire adeguatamente.
- t) Non mischiare batterie di diverse marche, capacità, dimensioni o tipologia nello stesso dispositivo.
- u) Non rimuovere anzitempo il pacco batterie dalla sua confezione originale.
- v) Fare attenzione ai segni più (+) e meno (-) sulla batteria e accertarsi di utilizzarla nel modo corretto.

## SIMBOLI

	Per ridurre il rischio di lesioni, l'utente deve leggere il manuale di istruzioni
	ATTENZIONE
	Indossare un dispositivo di protezione acustica
	Indossare un dispositivo di protezione per gli occhi
	Indossare una mascherina antipolvere

	Non esporre alla pioggia o all'acqua
	Non bruciare
 Li-Ion	Non smaltire le batterie. Portare le batterie scariche presso un centro di riciclaggio o di raccolta locale.
	Assicurarsi di rimuovere la batteria prima di cambiare gli accessori o effettuare regolazioni sull'utensile.
	Indossare guanti protettivi
	Legno
	Lama con punte dei denti in carburo
	Blocco
	Sblocca
	I prodotti elettrici non possono essere gettati tra i rifiuti domestici. L'apparecchio da rottamare deve essere portato presso un centro di riciclaggio per un corretto trattamento. Verificare con le autorità locali o con il rivenditore dove si trova il centro di riciclaggio più vicino.

## ELENCO DEI COMPONENTI

1. PULSANTE DI SICUREZZA
2. INTERRUOTORE DI AVVIO/ARRESTO

<b>3. IMPUGNATURA ANTERIORE</b>
<b>4. MARCATURA DEL TAGLIO 0°</b>
<b>5. MARCATURA DEL TAGLIO 45°</b>
<b>6. PIASTRA DI BASE PRINCIPALE</b>
<b>7. BLOCCO INCLINAZIONE PIASTRA DI BASE</b>
<b>8. SCALA ANGOLARE DELLA PIASTRA</b>
<b>9. CHIAVE ESAGONALE</b>
<b>10. UNITÀ BATTERIA*</b>
<b>11. PULSANTE DI SCATTO DELLABATTERIA *</b>
<b>12. PROTEZIONE FISSA</b>
<b>13. PRESA ASPIRAPOLVERE</b>
<b>14. LEVA PROTEZIONE INFERIORE</b>
<b>15. PIASTRA DI BASE SECONDARIA EXACTRACK™</b>
<b>16. LAMA</b>
<b>17. FLANGIA ESTERNA</b>
<b>18. BULLONE LAMA</b>
<b>19. PROTEZIONE LAMA INFERIORE</b>
<b>20. PERNO</b>
<b>21. FLANGIA INTERNA</b>
<b>22. SCALA DELLA PROFONDITÀ DI TAGLIO (Vedi Fig. E)</b>
<b>23. BLOCCO PROFONDITÀ DI TAGLIO (Vedi Fig. E)</b>
<b>24. INTERRUTTORE A LEVA (Vedi Fig. E)</b>
<b>25. PULSANTE DI BLOCCO PERNO (Vedi Fig. K2)</b>

\*Gli accessori illustrati o descritti non fanno necessariamente parte del volume di consegna.

## DATI TECNICI

Codice **WX530 WX530.1 WX530.9**

**(5- designazione del macchinario rappresentativo del Sega)**

	<b>WX530</b>	<b>WX530.1</b>	<b>WX530.9</b>
Potenza nominale	20 V $\overline{\text{---}}$ Max**		
Velocità nominale a vuoto	4900/min		
Dimensioni lama	165 mm		
Alesaggio lama	20 mm		
Capacità di taglio			

Profondità di taglio a 45°	39 mm
Profondità di taglio a 90°	55 mm
Angolo di taglio	0-50°
Peso macchina (batteria esclusa)	2.3 kg

\*\*Tensione misurata senza carico di lavoro. La tensione iniziale della batteria raggiunge un massimo di 20 Volt. La tensione nominale è di 18 Volt.

## INFORMAZIONI SUL RUMORE

Pressione acustica ponderata	$L_{pA} = 82.8 \text{ dB(A)}$
Potenza acustica ponderata	$L_{WA} = 93.8 \text{ dB(A)}$
$K_{pA}$ & $K_{WA}$	3 dB(A)

**Indossare un dispositivo di protezione acustica.**



## INFORMAZIONI SULLA VIBRAZIONE

I valori totali di vibrazione sono determinati secondo lo standard EN 62841:

Valore di emissione di vibrazioni:	Taglio del legno: $a_{h,W} = 6.572 \text{ m/s}^2$
	Incertezza $K = 1.5 \text{ m/s}^2$

Il valore totale di emissione di vibrazioni dichiarato e il valore di emissioni sonore dichiarati sono stati misurati in base a un metodo di collaudo standard e possono essere utilizzati per il confronto di un utensile con un altro.

Il valore totale di emissione di vibrazioni dichiarato e il valore di emissioni sonore dichiarato possono anche essere utilizzati in una valutazione preliminare dell'esposizione.

**! AVVERTENZA:** le emissioni di vibrazioni e sonore durante l'uso effettivo dell'elettrotensile possono differire dal valore dichiarato in base alle modalità con cui esso viene utilizzato. In particolare quale tipo di pezzo viene lavorato dipende dai seguenti fattori e da altre variazioni sulle modalità di utilizzo

dell'elettrotensile:

Come viene usato l'elettrotensile e quali sono i materiali tagliati o forati.

Le condizioni e la buona manutenzione dell'elettrotensile.

L'uso dell'accessorio corretto per il taglio e la sua affilatura, nonché le sue buone condizioni.

La tenuta della presa sulle impugnature e se vengono utilizzati eventuali accessori antivibrazioni e anturumore.

L'adeguatezza dell'utilizzo dell'elettrotensile rispetto a quanto previsto.

**Questo elettrotensile potrebbe causare l'insorgenza della sindrome della vibrazione dell'avambraccio se il suo utilizzo non viene gestito correttamente.**

 **AVVERTENZA:** per essere precisi, una stima del livello di esposizione nelle attuali condizioni di utilizzo dovrebbe anche tenere conto di tutte le parti del ciclo operativo, come le volte in cui lo strumento viene spento e il tempo in cui viene lasciato girare a vuoto senza realmente fare il suo lavoro. Questo potrebbe ridurre significativamente il livello di esposizione sul periodo di lavoro totale.

Aiuto a minimizzare il rischio di esposizione alle vibrazioni e al rumore.

Usare sempre scalpelli, trapani e lame affilate. Conservare questo elettrotensile sempre in conformità a queste istruzioni e mantenerlo ben lubrificato (dove appropriato).

Se l'utensile deve essere utilizzato regolarmente, investire in accessori antivibrazioni e antirumore. Pianificare il lavoro in modo da suddividere i lavori che implicano le maggiori vibrazioni nell'arco di più giorni.

## ACCESSORI

	WX530	WX530.1	WX530.9
Lama con punte dei denti in carburo	1	1	1
Adattatore aspirapolvere	1	1	1
Chiave esagonale	1	1	1
Batteria (WA3551.1)	1	/	/
Batteria (WA3553)	/	1	/
Caricabatterie (WA3860)	1	1	/

Si raccomanda di acquistare tutti gli accessori nello stesso negozio in cui è stato acquistato l'elettrotensile. Fare riferimento alla confezione dell'accessorio per ulteriori dettagli. Il personale del negozio può aiutarvi e consigliarvi.

## ISTRUZIONI OPERATIVE



**NOTA:** leggere scrupolosamente il manuale di istruzioni prima di usare l'attrezzo.

### USO CONFORME ALLE NORME

Questo elettrotensile è stato progettato per eseguire tagli lungovena e trasversali su legno e altri materiali in linee di taglio rette, rimanendo solidamente appoggiati sul pezzo da lavorare.

## MONTAGGIO E FUNZIONAMENTO

AZIONE	FIGURA
<b>PRIMA DEL FUNZIONAMENTO</b>	
Montaggio/smontaggio della batteria	Vedi Fig. A1
Carica della batteria	Vedi Fig. A2
Controllo dello stato di carica della batteria (solo per WX530.1)	Vedi Fig. A3

### MONTAGGIO

Montaggio e rimozione della lama  
**Nota: serrare o allentare il bullone della lama, il pulsante di blocco del mozzo deve essere premuto.**



**AVVERTENZA:** rimuovere sempre la batteria prima di sostituire la lama!

Vedi Fig. B

Alloggiamento chiavi esagonali

Vedi Fig. C

### FUNZIONAMENTO

Interruttore d'accensione / spegnimento



**AVVERTENZA:** per evitare di tagliarsi con la lama, non porre le mani in prossimità della piastra di base.  
**NOTA:** Tenere l'adattatore per la polvere collegato al dispositivo di raccolta quando si utilizza l'utensile.

Vedi Fig. D

Regolazione della profondità di taglio

Vedi Fig. E

Guida di taglio

Vedi Fig. F

Tagli obliqui

**NOTA: il taglio obliquo non può essere usato nella modalità EXACTRACK™.**

Vedi Fig. G

Rimozione dei trucioli di taglio

Vedi Fig. H

## EXACTRACK™

### Che cos'è EXACTRACK™?

EXACTRACK™ è una funzione innovativa che può facilitare l'esecuzione di tagli in linea retta, mantenendo la lama a filo contro la guida di taglio.

### Note di sicurezza

**AVVERTENZA: I denti della lama sono molto affilati. Indossare dei guanti.**

**Tenere le mani lontano dal paralama inferiore dopo aver aperto il paralama inferiore.**

### Ambito di utilizzo della funzione EXACTRACK™

1. EXACTRACK™ funziona a una profondità compresa fra 0 e 43 mm. (Vedere la Fig. I)
2. EXACTRACK™ funziona solo quando si eseguono tagli a 90°, ma non con qualsiasi angolo di smusso.

### Prima del funzionamento

**AVVERTENZA: rimuovere la batteria dall'elettrotensile prima di eseguire qualsiasi regolazione e posizionarla vicino alla sega.**

1. Regolare la profondità di taglio desiderata (da 0 a 43 mm). (Vedere la Fig. I)
2. Spostare la leva nella modalità EXACTRACK™. (Vedere la Fig. J)
3. Marcare la linea di taglio sul pezzo in lavorazione, quindi bloccare la tavola di guida taglio (non fornita) sistemando il bordo della tavola perpendicolarmente alla linea di taglio. La tavola di guida taglio deve avere una lunghezza tale da sporgere di 230 mm ad entrambe le estremità. (Vedere la Fig. K1)
4. Posizionare la piastra di base secondaria EXACTRACK™ (parte rossa) sopra la tavola di guida taglio (non fornita) e assicurarsi che la piastra di base principale sia posizionata sul pezzo in lavorazione. (Vedere Fig. K2)
5. Aprire manualmente la protezione della lama

inferiore (  **tenere le mani lontano dalla lama**), spingere la lama contro il lato della tavola di guida taglio, quindi togliere la mano dalla protezione della lama inferiore. (Vedi Fig. K3)

### Funzionamento

1. Inserimento della batteria.
2. Tenere saldamente la sega con entrambe le mani e assicurarsi che la piastra di base principale sia fissata saldamente contro la tavola di guida taglio (non fornita) durante il taglio. (Vedere la Fig. K4)
3. Accendere la sega per avviare il taglio. (Vedere la Fig. K5)

### Modalità STANDARD

Per eseguire tagli a 90° o inclinati (disabilitare la funzione EXACTRACK™), spostare la leva sulla modalità STANDARD e l'utensile potrà essere usato come una sega circolare standard. (Vedere la Fig. L) La modalità STANDARD può essere usata per eseguire tagli con profondità di 0-55 mm (a 90°) o di 0-39 mm (a 45°).

Per informazioni sul prodotto, visitare il sito web [www.worx.com](http://www.worx.com) e guardare il video con le istruzioni per l'uso.



## SUGGERIMENTI DI LAVORO PER L'UTENSILE

Se l'utensile diventa troppo caldo, farlo funzionare a vuoto per 2-3 minuti in modo da raffreddare il motore. Evitare l'uso prolungato a velocità molto basse.

Proteggere le lame di taglio da battute e da colpi. Non forzare l'elettrotensile. Applicare una pressione leggera e continua per evitare il surriscaldamento dei denti della lama. Un avanzamento troppo veloce comporta un sensibile calo della prestazione dell'elettrotensile, riducendo la durata complessiva delle lame e della macchina. La prestazione di taglio e la qualità del taglio dipendono in modo determinante sia dallo stato che dalla forma dei denti della lama. Per questo motivo è necessario utilizzare soltanto lame ben affilate e adatte al materiale in lavorazione. Scelta delle lame: 24 denti per lavori generici, circa 40 denti per tagli più precisi, più di 40 denti per tagli molto precisi su superfici delicate, lastre di cemento, ecc.

Utilizzare solo lame consigliate.

## MANUTENZIONE

**Rimuovere la batteria dall'utensile prima di eseguire qualsiasi regolazione, riparazione o manutenzione.**

Mantenere gli utensili affilati e puliti per un rendimento meglio ree più sicuro. Osservare le istruzioni per la lubrificazione e la sostituzione degli accessori. L'elettrotensile non richiede lubrificazione o manutenzione aggiuntiva. Al suo interno non sono presenti parti riparabili da parte dell'utilizzatore. Non usare mai acqua o detergenti chimici per pulire l'elettrotensile. Pulire con un panno asciutto. Conservare sempre gli elettrotensili in luoghi asciutti. Tenere pulite le aperture di ventilazione del motore. Tenere puliti dalla polvere tutti i controlli operativi.

Spolverare periodicamente polvere e trucioli dal coprilama e dalla base per garantire prestazioni corrette.

### PER GLI UTENSILI A BATTERIA

La temperatura ambientale d'uso e conservazione dell'elettrotensile e della batteria è di 0-45°C. La temperatura ambientale raccomandata per il caricabatterie durante la ricarica è di 0-40°C.

## TUTELA AMBIENTALE



I prodotti elettrici non possono essere gettati tra i rifiuti domestici. L'elettrotensile da rottamare deve essere portato presso un centro di riciclaggio per un corretto trattamento. Verificare con le autorità locali o con il proprio rivenditore dove si trova il centro di riciclaggio più vicino.

## RISOLUZIONE DEI PROBLEMI

Problema	Possibili cause	Possibile soluzione
L'elettrotensile non si avvia quando si usa l'interruttore d'accensione/spegnimento.	La batteria non è inserita. La batteria è spenta.	Controllare per assicurarsi che la batteria sia ben collegata a una presa funzionante. Caricare la batteria.
La profondità di taglio è inferiore a quella impostata.	Sulla parte posteriore della base si è accumulata della segatura.	Scuotere la segatura. Considerare di collegare un sistema d'aspirazione per la raccolta della polvere.
La lama gira o scivola.	La lama non è agganciata saldamente al mandrino.	Rimuovere la lama e installarla di nuovo come descritto nella sezione <b>Montaggio e rimozione della lama</b> .
La lama non taglia in linea retta.	La lama non è affilata. La lama non è installata correttamente. La sega non è guidata in modo corretto.	Installare una nuova lama affilata sulla sega. Controllare che la lama sia installata correttamente. Utilizzare una guida parallela.
La lama dà contraccolpi quando si inizia un taglio.	La lama non gira abbastanza velocemente.	Permettere alla lama di raggiungere la massima velocità prima di iniziare un taglio.

## DICHIARAZIONE DI CONFORMITÀ

Noi,  
POSITEC Germany GmbH  
Grüner Weg 10, 50825 Cologne, Germany

Dichiariamo che l'apparecchio,  
Descrizione **Sega circolare a batteria**  
Codice **WX530 WX530.1 WX530.9 (5-  
designazione del macchinario rappresentativo  
del Segaj)**  
Funzioni **Taglio di diversi materiali, con una  
lama rotante dentata**

È conforme alle seguenti direttive:  
**2006/42/EC, 2014/30/EU,  
2011/65/EU&(EU)2015/863**

conforme a,  
**EN 62841-1, EN 62841-2-5, EN 55014-1, EN**

### 55014-2

Il responsabile autorizzato alla compilazione della documentazione tecnica,

**Nome Marcel Filz**

**Indirizzo Positec Germany GmbH Grüner Weg  
10, 50825 Cologne, Germany**



2019/5/28

Allen Ding

Vice capo ingegnere, testing e certificazione

Positec Technology (China) Co., Ltd

18, Dongwang Road, Suzhou Industrial Park, Jiangsu  
215123, P.R. China

# SEGURIDAD DEL PRODUCTO

## ADVERTENCIAS DE SEGURIDAD GENERALES SOBRE HERRAMIENTAS ELÉCTRICAS

 **ADVERTENCIA:** Lea todas las advertencias de seguridad, instrucciones, ilustraciones y especificaciones que acompañan a esta herramienta eléctrica. Si no se respetan todas las instrucciones que se indican abajo, podría producirse una descarga eléctrica, un incendio o alguien podría resultar herido de gravedad.

**Conserve todas las advertencias e instrucciones para futuras consultas.** El término "herramienta eléctrica" en todas las advertencias siguientes corresponde a la herramienta eléctrica con o sin cable.

### 1) ZONA DE TRABAJO

- a) **Mantener su lugar de trabajo limpio y bien iluminado.** Bancos de trabajo desordenados y lugares oscuros invitan a los accidentes.
- b) **No utilizar herramientas eléctricas en atmósferas explosivas, como por ejemplo en presencia de líquidos inflamables, gases o polvo.** Las herramientas eléctricas crean chispas que pueden encender el polvo o los vapores.
- c) **Mantener alejados a los niños y visitantes mientras opera una herramienta eléctrica.** Las distracciones pueden hacerle perder el control.

### 2) SEGURIDAD ELÉCTRICA

- a) **Los enchufes de la herramienta eléctrica deben encajar perfectamente en el tomacorriente. Nunca modificar el enchufe de ninguna manera. No utilizar adaptadores con herramientas eléctricas conectadas a tierra.** Los enchufes no modificados y los que encajan perfectamente en el tomacorriente reducirán el riesgo de descarga eléctrica
- b) **Evitar el contacto del cuerpo con superficies conectadas a tierra tales como caños, radiadores, cocinas y heladeras.** Existe un riesgo creciente de descarga eléctrica si su cuerpo queda conectado a tierra.
- c) **No exponer las herramientas eléctricas a la lluvia y no guardar en lugares húmedos.** El agua que penetra en ellas aumentará el riesgo de una descarga eléctrica.
- d) **No abusar del cable. Nunca utilizar el cable para transportar, tirar o desenchufar la herramienta eléctrica. Mantener el cable alejado del calor, del aceite, de bordes agudos o piezas móviles.** Los cables dañados o enredados aumentan el riesgo de descarga eléctrica.

- e) **Cuando utilice su herramienta eléctrica al aire libre, emplear un prolongador apto para uso en exteriores.** El empleo de cables para uso al aire libre reduce el riesgo de descarga eléctrica.
- f) **Si es necesario utilizar la herramienta motorizada en un lugar muy húmedo, utilice una fuente de alimentación con dispositivo de corriente residual (RCD).** El uso de un RCD reduce el riesgo de descarga eléctrica.

### 3) SEGURIDAD PERSONAL

- a) **Mantenerse alerta, poner atención en lo que está haciendo y utilice el sentido común mientras opera una herramienta eléctrica. No emplear la herramienta cuando se encuentre cansado o bajo la influencia de drogas, alcohol o medicación.** Un momento de falta de atención durante el manejo de herramientas eléctricas puede dar lugar a daños corporales serios.
- b) **Utilizar equipo de seguridad. Usar siempre protección ocular.** Equipo de seguridad como máscaras contra el polvo, zapatos antideslizantes de seguridad, sombrero o protección auditiva para condiciones apropiadas reducirá daños corporales.
- c) **Evite el arranque accidental. Asegúrese de que el interruptor se encuentra desactivado antes de enchufar la máquina o colocar la batería, al tomar la herramienta o transportarla.** Transportar herramientas con el dedo en el interruptor o enchufar la herramienta cuando el interruptor está encendido invitan a los accidentes.
- d) **Retire llaves de ajuste o llaves inglesas antes de poner la herramienta en funcionamiento.** Una llave que queda unida a una pieza móvil de la herramienta puede originar daños corporales.
- e) **No extralimitarse. Mantenerse firme y con buen equilibrio en todo momento.** Esto permite un mejor control de la herramienta en situaciones inesperadas.
- f) **Vestirse apropiadamente. No usar ropa suelta ni alhajas. Mantener su cabello, ropa y guantes alejados de las piezas móviles.** La ropa suelta, las alhajas o el cabello largo pueden ser atrapados por las piezas móviles.
- g) **Si se proporcionan dispositivos para la extracción y recolección de polvo, asegurarse de que estos estén conectados y utilizados correctamente.** El uso de estos dispositivos puede reducir peligros relacionados con el polvo.
- h) **No permita que el hecho de estar familiarizado con el uso de herramientas le haga volverse descuidado o ignorar las normas de seguridad.** La falta de atención puede provocar heridas graves en una fracción de segundo.

#### 4) MANTENIMIENTO DE LA HERRAMIENTA MOTORIZADA

- a) **No forzar la herramienta eléctrica. Utilizar la herramienta eléctrica correcta para su aplicación.** La herramienta eléctrica correcta hará el trabajo mejor y más seguro a la velocidad para la cual fue diseñada.
- b) **No utilizar la herramienta eléctrica si el interruptor no la enciende o apaga.** Cualquier herramienta eléctrica que no pueda ser controlada con el interruptor es peligrosa y debe ser reparada.
- c) **Desconecte el enchufe de la toma eléctrica y/o la batería de la herramienta antes de realizar cualquier ajuste, cambiar un accesorio o guardar la herramienta.** Tales medidas de seguridad preventivas reducen el riesgo de arranque accidental de la herramienta.
- d) **Mantener las herramientas eléctricas que no usa fuera del alcance de los niños y no permita que personas no familiarizadas con la herramienta o con estas instrucciones maneje la herramienta eléctrica.** Las herramientas eléctricas son peligrosas en manos de usuarios inexpertos.
- e) **Revisar las herramientas eléctricas. Comprobar si hay desalineamiento o atascamiento de piezas móviles, rotura de piezas en general y cualquier otra condición que pueda afectar la operación normal de la herramienta. Si se verifican daños, recurra a un service calificado antes de volver a usar la herramienta.** Las herramientas mal mantenidas causan muchos accidentes.
- f) **Mantener las piezas de corte limpias y afiladas.** Puesto que son menos probables de atascarse y más fáciles de controlar.
- g) **Utilizar la herramienta eléctrica, accesorios y brocas etc., de acuerdo con estas instrucciones y de la manera prevista para el tipo particular de herramienta eléctrica, teniendo en cuenta las condiciones de trabajo y el trabajo a ser realizado.** El uso de la herramienta eléctrica para otras operaciones distintas de lo previsto podría dar lugar a una situación peligrosa.
- h) **Mantenga las empuñaduras y las superficies de agarre secas, limpias y sin aceite ni grasa.** Una empuñadura o una superficie de agarre resbaladiza dificultan la correcta manipulación y el control de la herramienta en situaciones imprevistas.

#### 5) UTILIZACIÓN Y MANTENIMIENTO DE LA BATERÍA

- a) **Recargar solamente con el cargador indicado por el fabricante.** Un cargador adaptado a un tipo de batería podría crear un riesgo de incendio si se utiliza con una diferente batería.
- b) **Utilizar las herramientas eléctricas solamente con baterías especialmente adaptadas.** La utilización de cualquier otra

batería podría causar un riesgo de incendio o herida.

- c) **Cuando la batería no está en uso, tenerla lejos de los objetos metálicos como los trombones, las piezas de moneda, las llaves, los clavos, los tornillos, o cualquier otro pequeño objeto metálico susceptibles de establecer una conexión de un terminal a otra.** El cortocircuito de un terminal a otra puede causar quemaduras o un incendio.
- d) **Hay una fuga de líquido de la batería. Evitar todo contacto. Si entre accidentalmente en contacto con este líquido, lavar con agua limpia. En caso de contacto con los ojos, consultar a un médico.** El líquido presente en las baterías puede causar irritaciones o quemaduras.
- e) **No utilice una batería o una herramienta que estén dañadas o hayan sido modificadas. Las baterías dañadas y modificadas pueden comportarse de forma imprevisible y provocar un incendio, una explosión o herir a alguien.**
- f) **No arroje una batería o herramienta al fuego ni las exponga a una temperatura excesiva.** La exposición al fuego y a temperaturas superiores a 130 °C puede provocar una explosión.
- g) **Respete todas las instrucciones de carga y no cargue la batería o la herramienta fuera del rango de temperatura especificado en las instrucciones.** Una carga inadecuada o a una temperatura fuera del rango especificado puede ocasionar daños en la batería y aumentar el riesgo de incendio.

#### 6) REPARACIÓN

- a) **Permitir que el mantenimiento de su herramienta eléctrica sea efectuado por una persona calificada usando solamente piezas de recambio idénticas.** Esto es primordial para mantener la seguridad de la herramienta eléctrica.
- b) **No intente reparar nunca una batería dañada.** Cualquier intervención técnica en una batería debe ser realizada exclusivamente por el fabricante o por un servicio técnico autorizado.

## INSTRUCCIONES DE SEGURIDAD PARA TODAS LAS SIERRAS

### PROCEDIMIENTOS DE SERRADO

- a)  **ADVERTENCIA: Colocar las manos lejos de la superficie de corte y del disco. Tener la segunda mano en el pomo frontal.** Si ambas manos sostienen la sierra, Ud tendrá una mejor estabilidad y evitará cortarse con el disco.
- b) **No pasar bajo la pieza está cortando.** La cubierta protectora le protege sobre la pieza de

trabajo pero no debajo de esta.

- c) **Ajustar la profundidad de corte al grueso de la pieza que debe trabajar.** Si el grueso de la pieza es inferior a la profundidad de corte seleccionada, Ud debe tomar precauciones, ya que el disco sobresaldrá debajo de la pieza.
- d) **Nunca mantener la pieza a cortar con las manos o entre los brazos.** Asegurar la pieza a trabajar en una superficie estable. Es importante fijar (asegurar) la pieza con el fin de evitar todo riesgo de herida.
- e) **Sostenga la herramienta únicamente por medio de superficies aislantes, al realizar una operación en la que el accesorio de corte pueda entrar en contacto con cableado oculto o con su propio cable.** Su el accesorio de corte entra en contacto con un cable "activo", podría generar una descarga hacia el usuario.
- f) **Durante el corte, utilizar una guía paralela.** Esto mejora la precisión del corte y evita que el disco se agarrote.
- g) **Siempre utilizar discos de dimensión y diámetro interior correcto e indicados en el manual.** Discos que no acaten las características de este manual, no girarán correctamente, generando una pérdida de control para el usuario.
- h) **Nunca utilizar discos, arandelas o tuercas dañados o no conformes a este manual.** Los discos, arandelas y tuercas deben estar en perfectas condiciones de uso.

precauciones necesarias.

- b) **Cuando detenga el corte, suelte primero el interruptor y mantenga la sierra en la pieza hasta que el disco se detenga completamente.** Nunca intente retirar la sierra de la pieza cuando el disco esté girando, pues podría ser sorprendido por una brusca reacción del disco y la herramienta hiriéndole seriamente. Tome las precauciones necesarias para evitar estas reacciones.
- c) **Cuando vuelva a poner en marcha su sierra sobre una pieza, centre la cuchilla y compruebe que los dientes del disco no están en contacto con la pieza.** Si los dientes estuvieran en contacto con la pieza, el enganchón sería inevitable en el momento de la puesta en marcha.
- d) **Sostener (con ayuda de tablas...) los tablones amplios con el fin de evitar el pellizco y frenado del disco.** Las tablas deben colocarse debajo y a cada lado del tablón, cerca de la línea de corte y del borde del mismo.
- e) **No utilice discos gastados o dañados.** Discos mal afilados o no conformes a este manual, implican una fricción excesiva y en consecuencia un riesgo importante de enganches.
- f) **Las palancas de bloqueo de profundidad e inclinación deben apretarse correctamente antes de emprender un corte.** Si las palancas de ajuste no se aprietan correctamente, existe un riesgo importante de pellizco del disco y su bloqueo.
- g) **Cuando realice cortes donde el grosor del material supere en radio del disco,** tome las máximas precauciones en cuanto a la existencia de componentes metálicos o peligrosos en su interior que puedan ocasionar enganches del disco.

## CONSEJOS ADICIONALES SE SEGURIDAD PARA SU SIERRA

### Causas y forma de prevenir los enganches o frenadas bruscas del disco

- Este fenómeno puede ser, y debido a la mala alineación del disco, dando como resultado una pérdida de control del usuario, y un repentino y brusco tirón del disco y la herramienta hacia el usuario.
- Es importante ser precavido con estos fenómenos con el fin de evitar todo riesgo de heridas.
- Si el disco se frena o se alinea mal en el corte, éste corre el riesgo de reaccionar en dirección al usuario.  
Este fenómeno es el resultado de una mala utilización y/o de un mal montaje y/o de la utilización de discos no adecuados; y puede evitarse siguiendo escrupulosamente las instrucciones de este manual.
- a) **Mantener firmemente la sierra con ambas manos para resistir cualquier tipo de reacción o tirón.** Colocar el cuerpo con objeto de ejercer una fuerza de cada lado del disco y no en alineación con él. La reacción de disco hacia el usuario puede evitarse tomando las

## INSTRUCCIONES DE SEGURIDAD DE LA SIERRA CIRCULAR CON PROTECCIÓN PENDULAR INTERIOR

### Función de protección inferior

- a) **Verifique que cubierta inferior de protección cierre apropiadamente antes de cada uso. No accione la sierra si esta no se mueve libremente ni se cierra inmediatamente. Nunca ate o fije con abrazaderas la cubierta inferior de protección en la posición abierta.** Si la sierra se cae accidentalmente, la cubierta inferior puede doblarse. Levántela con el mango retráctil y cerciórese de que se mueva libremente y que no toque el disco u otras partes en todos los

ángulos y profundidades de corte.

- b) **Compruebe el funcionamiento del resorte de la cubierta inferior. Si la cubierta y el resorte no están funcionando correctamente, deben ser revisados por un técnico cualificado antes del uso.** La cubierta inferior puede funcionar lentamente debido a piezas dañadas, restos gomosos o acumulación de desechos.
- c) **La cubierta inferior debe ser plegada manualmente solo en casos de cortes especiales, como cortes mediante descenso vertical o cortes compuestos. Levante la cubierta inferior por el mango retráctil y cuando el disco penetre en el material, la cubierta deberá ser soltada.** Para las demás operaciones de aserrado, la cubierta inferior debe funcionar automáticamente.
- d) **Siempre verifique que la cubierta de protección inferior esté cubriendo el disco antes de colocar la sierra sobre el banco o el suelo.** Asegúrese de que el disco está montado en la posición correcta y de que el tornillo de fijación se encuentra bien apretado. Tome nota del tiempo que tarda la hoja en detenerse una vez que el interruptor ha sido apagado.

## INSTRUCCIONES DE SEGURIDAD ADICIONALES PARA EL CORTE EXACTRACK™

- a) **La protección inferior se puede retraer manualmente solo para los cortes EXACTRACK™.** Levante la protección inferior tirando de la empuñadura hacia atrás y suéltelo en cuanto la hoja penetre en el material. Para el resto de operaciones de serrado, la protección inferior debe funcionar automáticamente.
- b) **Para los cortes EXACTRACK™, el interruptor de alimentación solo se debe conectar en el momento en el cual la hoja penetra en el material.**

## INSTRUCCIONES ADICIONALES DE SEGURIDAD PARA SU HERRAMIENTA

- 1. Utilice únicamente hojas de sierra recomendadas por el fabricante, que son conformes con EN 847-1 si está previsto su uso con madera u otros materiales similares.
- 2. No utilice ningún tipo de discos abrasivos.

- 3. Use sólo hojas de diámetro acorde con las indicaciones.
- 4. Identifique la hoja de sierra correcta para el material que se va a cortar.
- 5. Utilice únicamente hojas de sierra que estén marcadas con una velocidad igual o superior a la que está especificada en la herramienta.

## ADVERTENCIAS DE SEGURIDAD PARA LA BATERÍA

- a) **No desmonte, abra o destruya las pilas o las baterías recargables.**
- b) **No provoque un cortocircuito en la batería. No almacene las baterías de forma descuidada en una caja o cajón donde podría provocar un cortocircuito entre ellas o mediante otros objetos metálicos.** Cuando la batería no esté siendo utilizada, manténgala alejada de objetos metálicos, como clips de papel, monedas, llaves, clavos, tornillos u otros objetos metálicos pequeños, que pueden posibilitar la conexión de un borne con otro. Al provocar un cortocircuito con los bornes de la batería se pueden sufrir quemaduras o generar un incendio.
- c) **No exponga las baterías al calor o al fuego. No las guarde expuestas directamente al sol.**
- d) **No exponga las baterías a impactos mecánicos.**
- e) **En caso de que la batería tenga fugas de líquido, no permita que el líquido entre en contacto con la piel o los ojos. Si se produce el contacto, lave la zona afectada con grandes cantidades de agua y acuda a un médico.**
- f) **Acuda a un médico inmediatamente si se ha ingerido una pila o una batería.**
- g) **Mantenga las baterías limpias y secas.**
- h) **Limpie los bornes de la batería con un paño limpio si se ensucian.**
- i) **Cargue la batería antes de utilizarla. Consulte siempre estas instrucciones y aplique el procedimiento de carga adecuado.**
- j) **No deje la batería cargándose durante prolongados períodos de tiempo cuando no se utilice.**
- k) **Después de prolongados períodos de almacenamiento, puede que sea necesario cargar y descargar la batería varias veces para obtener el máximo rendimiento.**
- l) **Las baterías recargables proporcionan mejor rendimiento cuando se utilizan a temperatura ambiente normal (20°C ± 5°C).**
- m) **Al eliminar las baterías, mantenga las baterías de distinto sistema electroquímico separadas unas de otras.**
- n) **Recargue solo con el cargador indicado por WORX. No utilice ningún otro cargador que no sea el específicamente proporcionado para el uso con este equipo.** El cargador

adecuado para un tipo de baterías puede provocar un incendio si se utiliza con otro tipo de baterías.

- o) No utilice ninguna batería distinta a la diseñada para utilizarse con el aparato.**
- p) Mantenga la batería fuera del alcance de los niños.**
- q) Conserve la documentación original del producto por si tuviera que consultarla en otro momento.**
- r) Extraiga la batería del aparato cuando no lo utilice.**
- s) Deshágase del producto correctamente.**
- t) No se deben mezclar pilas de diferentes fabricantes, capacidad, tamaño o tipo en un mismo dispositivo.**
- u) Las pilas no se deben quitar del embalaje original hasta que se vayan a utilizar.**
- v) Se deben observar y respetar las marcas positiva (+) y negativa (-) de la pila.**

## SÍMBOLOS

	Para reducir el riesgo de lesión, lea el manual de instrucciones.
	ADVERTENCIA
	Utilice protección auditiva
	Utilizar protección ocular
	Utilizar una máscara antipolvo
	No exponer a la lluvia o al agua
	No quemar

	No descartar las baterías. Las baterías agotadas deben llevarse a su recolector local o punto de reciclado.
	Antes de cambiar un accesorio o de realizar cualquier ajuste en la herramienta, compruebe que la batería esté desmontada.
	Utilizar guantes de protección
	Madera
	Hoja con punta de carburo
	Bloquear
	Desbloquear
	Los residuos de aparatos eléctricos y electrónicos no deben depositarse en la basura doméstica. Se deben reciclar en las instalaciones especializadas. Consulte a las autoridades locales o el establecimiento para saber cómo reciclar estos productos.

## LISTA DE COMPONENTES

- 1. BOTÓN DE SEGURIDAD**
- 2. INTERRUPTOR DE CONEXIÓN/DESCONEXIÓN**
- 3. EMPUÑADURA ADICIONAL**
- 4. MARCAS DE POSICIÓN 0°**
- 5. MARCAS DE POSICIÓN 45°**
- 6. PLACA BASE PRINCIPAL**

7. **TORNILLO DE AJUSTE DEL ÁNGULO DE CORTE**
8. **GRADUACIÓN DE INCLINACIÓN DE LA BASE**
9. **LLAVE HEXAGONAL**
10. **BATERÍA\***
11. **PESTAÑA DE BATERÍA\***
12. **PROTECCIÓN DE DISCO**
13. **SALIDA DE POLVO**
14. **PALANCA DE LA PROTECCIÓN MOVIL INFERIOR**
15. **SUBPLACA BASE EXACTRACK™**
16. **HOJA**
17. **BRIDA EXTERIOR**
18. **TORNILLO DE FIJACIÓN DEL DISCO**
19. **PROTECCIÓN INFERIOR DE LA HOJA**
20. **EJE**
21. **BRIDA INTERIOR**
22. **ESCALA DE PROFUNDIDAD DE CORTE (Véase la fig. E)**
23. **MARIPOSA DE BLOQUEO DE PROFUNDIDAD (Véase la fig. E)**
24. **INTERRUPTOR DE PALANCA (Véase la fig. E)**
25. **BOTÓN DE BLOQUEO (Véase la fig. K2)**

\*Los accesorios ilustrados o descritos pueden no corresponder al material suministrado de serie con el aparato.

## DATOS TÉCNICOS

Modelo **WX530 WX530.1 WX530.9 (5- designación de maquinaria, representantes de Sierras)**

	WX530	WX530.1	WX530.9
Tensión nominal	20 V $\approx$ Max**		
Ninguna velocidad (nominal) de carga	4900/min		
Tamaño de la hoja	165 mm		
Tamaño del eje	20 mm		
Capacidad de corte			
Profundidad de corte a 45°	39 mm		
Profundidad de corte a 90°	55 mm		

Capacidad de inclinación	0-50°
Peso de la máquina(sin la batería)	2.3 kg

\*\* Voltaje medido sin carga. El voltaje inicial máximo de la batería es de 20 voltios. El voltaje nominal es de 18 voltios.

## INFORMACIÓN SOBRE EL RUIDO

Nivel de presión acústica de ponderación	$L_{pA} = 82.8$ dB(A)
Nivel de potencia acústica de ponderación	$L_{WA} = 93.8$ dB(A)
$K_{pA}$ & $K_{WA}$	3 dB(A)

Utilice protección auditiva.



## INFORMACIÓN SOBRE LAS VIBRACIONES

Los valores totales de vibración se determinan según la norma EN 62841:

Valor de emisión de vibración:	Corte en madera: $a_{h,w} = 6.572$ m/s <sup>2</sup>
	Incertidumbre $K = 1.5$ m/s <sup>2</sup>

El valor total de vibraciones declarado y el valor de emisiones acústicas declarado se han medido de conformidad con un método de prueba estándar y pueden utilizarse para realizar comparaciones entre herramientas.

El valor total de vibraciones declarado y el valor de emisiones acústicas declarado también pueden utilizarse en una evaluación preliminar de la exposición.

**! ADVERTENCIA:** Las vibraciones y las emisiones acústicas que se producen durante el uso de la herramienta eléctrica pueden variar respecto a los valores declarados en función de cómo se utilice la herramienta, especialmente dependiendo del tipo de pieza de trabajo que se procese y de otras formas de usar la herramienta:  
Cómo se utiliza la herramienta y se cortan o perforan los materiales.  
Si la herramienta se encuentra en buenas condiciones de mantenimiento.

Si se utiliza el accesorio correcto para la herramienta y se garantiza que está afilado y en buenas condiciones. La firmeza de sujeción de las empuñaduras, y el uso de accesorios para reducir las vibraciones y el ruido. Y si la herramienta se utiliza según su diseño y estas instrucciones.

**Esta herramienta podría causar síndrome de vibración del brazo y la mano si no se utiliza correctamente.**

**⚠ ADVERTENCIA:** Para conseguir una mayor precisión, debe tenerse en cuenta una estimación del nivel de exposición en condiciones reales de todas las partes del ciclo de uso, como los tiempos durante los que la herramienta está apagado o cuando está en funcionamiento pero no está realizando ningún trabajo. Ello podría reducir notablemente el nivel de exposición sobre el periodo de carga total.

Minimización del riesgo de exposición a las vibraciones y el ruido.  
 Utilice SIEMPRE cinceles, brocas y cuchillas afiladas. Mantenga esta herramienta de acuerdo con estas instrucciones y bien lubricada (si es necesario). Si la herramienta se va a utilizar de forma habitual, se recomienda adquirir accesorios para reducir las vibraciones y el ruido.  
 Planifique su programa de trabajo para distribuir el uso de la herramienta a lo largo de varios días.

## ACCESORIOS

	WX530	WX530.1	WX530.9
Hoja con punta de carburo	1	1	1
Adaptador para aspiración de polvo	1	1	1
Llave hexagonal	1	1	1
Batería (WA3551.1)	1	/	/
Batería (WA3553)	/	1	/
Cargador (WA3860)	1	1	/

Recomendamos que adquiera todos sus accesorios en el mismo establecimiento donde compró la herramienta. Consulte los estuches de los accesorios para más detalles. El personal del establecimiento también puede ayudar y aconsejar.

## INSTRUCCIONES DE FUNCIONAMIENTO

**ⓘ** **NOTA:** Antes de utilizar la herramienta, lea detenidamente el manual de instrucciones.

### USO INDICADO

Esta herramienta está diseñada para tronzar y cortar transversalmente madera y otros materiales realizando líneas de corte rectas, con la herramienta asentada firmemente sobre la pieza de trabajo.

## MONTAJE Y FUNCIONAMIENTO

ACCIÓN	FIGURA
<b>ANTES DE UTILIZAR</b>	
Instalar/extraer la batería	Véase la Fig. A1
Carga de la batería	Véase la Fig. A2
Comprobar el estado de carga de la batería (solo para WX530.1)	Véase la fig. A3
<b>MONTAJE</b>	
Montaje y desmontaje de la hoja de la sierra <b>Nota: Para bloquear o soltar el tornillo de la hoja se debe presionar el botón de bloqueo del husillo.</b> <b>⚠ ADVERTENCIA:</b> ¡Antes de cambiar la hoja quite siempre la batería!	Véase la Fig. B
Almacenamiento de las llaves hexagonales	Véase la Fig. C
<b>FUNCIONAMIENTO</b>	
Interrupción de conexión/desconexión <b>⚠ ADVERTENCIA:</b> para no cortarse con la hoja, no acerque las manos a la placa base. <b>NOTA:</b> Mantenga el adaptador de polvo conectado al dispositivo de recolección de polvo cuando utilice la herramienta.	Véase la Fig. D
Ajuste de la profundidad de corte	Véase la Fig. E
Guía de corte	Véase la Fig. F
Cortes en bisel <b>NOTA: en el modo EXACTRACK™ no se pueden realizar cortes en bisel.</b>	Véase la Fig. G
Eliminación del serrín	Véase la Fig. H

**EXACTRACK™**  
 ¿Qué es EXACTRACK™?

EXACTRACK™ es una función muy innovadora que puede ayudarle a realizar cortes rectos más fácilmente manteniendo la hoja enrasada con la guía de corte.

#### Avisos de seguridad



**ADVERTENCIA: Use guantes, ya que los dientes de la hoja son muy filosos. Mantenga las manos alejadas de la protección inferior de la hoja después de abrirla.**

#### Ámbito de aplicación de EXACTRACK™

1. EXACTRACK™ funciona con una profundidad de 0-43 mm. (Véase la fig. I)
2. EXACTRACK™ solo permite realizar cortes a 90 grados, y no funciona con los cortes en ángulo.

#### Antes de utilizar



**ADVERTENCIA: Antes de empezar cualquier tarea de ajuste, debe extraerse la batería de la herramienta, dejándola cerca de la sierra.**

1. Ajuste la profundidad de corte que desee (rango 0-43 mm). (Véase la fig. I)
2. Coloque la palanca en el modo EXACTRACK™. (Véase la fig. J)
3. Marque la línea de corte que desee en la pieza de trabajo y fije la guía de corte (no suministrada) de forma que el borde quede exactamente en la línea de corte; deben sobrar 230 mm de longitud de la guía de corte en ambos extremos. (Véase la fig. K1)
4. Coloque la subplaca base EXACTRACK™ (parte roja) encima de la guía de corte (no suministrada) y verifique que la placa base principal descansa sobre la pieza de trabajo. (Véase la fig. K2)
5. Abra manualmente la protección de la hoja inferior (  mantenga las manos alejadas de la hoja en todo momento), presione la sierra contra el lateral de la guía de corte y suelte la protección inferior de la hoja. (Véase la fig. K3)

#### Funcionamiento

1. Instalación de la batería.
2. Sujete la sierra firmemente con ambas manos y compruebe que la placa base principal esté colocada firmemente contra la guía de corte (no suministrada) durante el corte. (Véase la fig. K4)
3. Encienda la herramienta y empiece a cortar (Véase la fig. K5)

#### Modo ESTÁNDAR

Para los cortes normales a 90 grados o en ángulo (se debe desactivar la función EXACTRACK™), coloque la palanca en el modo ESTÁNDAR; en esta posición, la herramienta puede utilizarse como una sierra circular. (Véase la fig. L)

El modo ESTÁNDAR puede utilizarse con una profundidad de corte de 0-55 mm (90 grados), 0-39 mm (45 grados).

**Para obtener más información sobre el producto, visite [www.worx.com](http://www.worx.com) y consulte el video de instrucciones.**



## CONSEJOS DE TRABAJO PARA SU HERRAMIENTA

Si su herramienta eléctrica se recalienta demasiado, accione durante 2 o 3 minutos para enfriar el motor no utilice ninguna carga. Evite el uso prolongado a velocidades muy bajas.

Proteja las hojas de sierra de los choques y golpes. No fuerce la herramienta. Ejercer una presión leve y continua para evitar que se sobrecalienten las puntas de la hoja. Un avance excesivo reduce considerablemente las prestaciones del aparato y la vida útil de la hoja de sierra. El rendimiento al aserrar y la limpieza del corte dependen fuertemente del estado y de la forma del diente de la hoja de sierra. Por ello, utilizar solamente hojas de sierra con buen filo y adecuadas al tipo de material a trabajar. Elección de cuchillas: 24 dientes para uso general, aprox. 40 dientes para cortes más finos, más de 40 dientes para cortes muy finos en superficies delicadas, placas de cemento, etc. Utilice únicamente las hojas de sierra recomendadas.

## MANTENIMIENTO

**Antes de empezar cualquier tarea de ajuste, mantenimiento o reparación, debe extraerse la batería de la herramienta.**

Mantenga las herramientas afiladas y limpias para realizar el trabajo mejor y de forma más segura. Siga las instrucciones para lubricar y cambiar los accesorios. Su herramienta eléctrica no requiere de lubricación ni mantenimiento adicional. No posee piezas en su interior que deban ser reparadas por el usuario. Nunca emplee agua o productos químicos para limpiar su herramienta. Use simplemente un paño seco. Guarde siempre su herramienta en un lugar seco. Mantenga limpias las ranuras de ventilación del motor. Mantenga todos los controles de funcionamiento libres de polvo. Limpie periódicamente el polvo y virutas de la protección y de la base para garantizar que la máquina funcione a pleno rendimiento.

#### PARA LAS HERRAMIENTAS A BATERÍA

El rango de temperatura ambiente para el funcionamiento y el almacenamiento de la herramienta es de 0°C-45°C.

El rango de temperatura ambiente recomendado para el sistema de carga durante el proceso de carga es de 0°C- 40°C.

# PROTECCIÓN AMBIENTAL



Los residuos de aparatos eléctricos y electrónicos no deben depositarse en la basura doméstica. Se deben reciclar en las instalaciones especializadas. Consulte a las autoridades locales o el establecimiento para saber cómo reciclar estos productos.

## RESOLUCIÓN DE PROBLEMAS

Síntomas	Causas posibles	Solución posible
La herramienta no arranca al pulsar el interruptor de encendido.	El pack de baterías no está conectado. El pack de baterías está apagado.	Comprobar si el pack de baterías está correctamente conectado a una salida en funcionamiento. Cargar de la batería.
La profundidad de corte es inferior a la especificada.	Se ha acumulado polvo en la parte trasera de la base.	Sacuda el polvo. Considere conectar un aspirador para recoger el polvo.
La hoja gira o resbala.	La hoja no está firmemente encajada con el mandril.	Retire la hoja y vuelva a montarla como se describe en la sección <b>Montaje y desmontaje de la hoja de la sierra.</b>
La hoja no corta en línea recta.	La hoja está roma. La hoja no está montada correctamente. No ha guiado la hoja correctamente.	Monte una hoja nueva y afilada en la sierra. Compruebe que la hoja esté montada correctamente. Utilice una guía paralela.
50 Retroceso de la hoja al empezar un corte.	La hoja no está girando suficientemente rápido.	Deje que la hoja de la sierra alcance la velocidad máxima antes de empezar un corte.

## DECLARACIÓN DE CONFORMIDAD

Los que reciben,  
POSITEC Germany GmbH  
Grüner Weg 10, 50825 Cologne, Germany

Declaran que el producto  
Descripción **Sierra circular alimentada por batería**  
Modelo **WX530 WX530.1 WX530.9 (5- designación de maquinaria, representantes de Sierras)**  
Función **De corte de diversos materiales con una hoja dentada de rotación**

Cumple con las siguientes Directivas:  
**2006/42/EC, 2014/30/EU, 2011/65/EU&(EU)2015/863**

Cumple las normativas  
**EN 62841-1, EN 62841-2-5, EN 55014-1, EN 55014-2**

La persona autorizada para componer el archivo técnico,

**Nombre Marcel Filz**  
**Dirección Positec Germany GmbH Grüner Weg 10, 50825 Cologne, Germany**



2019/5/28  
Allen Ding  
Ingeniero Jefe Adjunto, Pruebas y Certificación  
Positec Technology (China) Co., Ltd  
18, Dongwang Road, Suzhou Industrial Park,  
Jiangsu 215123, P.R. China

# PRODUCTVEILIGHEID

## ALGEMENE

### VEILIGHEIDSWAARSCHUWINGEN

#### VOOR VERMOGENSMACHINE

 **WAARSCHUWING** Lees alle veiligheidswaarschuwingen, instructies, illustraties en specificaties die bij dit elektrisch gereedschap werden meegeleverd. Het niet opvolgen van alle onderstaande voorschriften kan tot een elektrische schok, brand en/of ernstig persoonlijk letsel leiden.

#### **Bewaar alle waarschuwingen en instructies voor latere naslag.**

De term “(elektrisch) gereedschap” in de waarschuwingen hieronder, verwijst naar uw op netspanning werkende gereedschap (met stroomdraad) of uw accugereedschap (draadloos).

#### **1) WERKGEBIED**

- a) **Houd uw werkgebied schoon en zorg ervoor dat deze goed verlicht is.** In rommelige en slecht verlichte werkgebieden gebeuren sneller ongelukken.
- b) **Gebruik elektrisch gereedschap niet in explosieve atmosferen, zoals in de nabijheid van ontvlambare vloeistoffen, gassen of stof.** Elektrisch gereedschap veroorzaakt vonken die de stof of de gassen kunnen doen ontvlammen.
- c) **Houd kinderen en omstanders uit de buurt terwijl u met elektrisch gereedschap werkt.** Afleidingen kunnen ervoor zorgen dat u de controle over het gereedschap verliest.

#### **2) ELEKTRISCHE VEILIGHEID**

- a) **De stekker van het elektrisch gereedschap moet passen in het stopcontact. Pas de stekker op geen enkele manier aan om te zorgen dat hij wel past. Gebruik geen adapterstekkers terwijl u geaard elektrisch gereedschap gebruikt.** Onaangepaste stekkers die in het stopcontact passen, verminderen de kans op een elektrische schok.
- b) **Vermijd lichamelijk contact met geaarde of gegronde oppervlakken, zoals buizen, radiatoren, fornuizen en koelkasten.** Als uw lichaam geaard of geground is, is er een grotere kans op een elektrische schok.
- c) **Stel uw elektrische gereedschap niet bloot aan regen of natte omstandigheden.** Water dat elektrisch gereedschap kan binnendringen, vergroot de kans op een elektrische schok.
- d) **Gebruik de stroomdraad niet op een andere manier dan waarvoor deze gemaakt is. Trek niet aan de stroomdraad, ook niet om de stekker uit het stopcontact te krijgen en draag het gereedschap niet door het aan de stroomdraad vast te houden. Houd de stroomdraad uit de**

**buurt van hitte, olie, scherpe hoeken en bewegende onderdelen.** Beschadigde of verwarde stroomdraden vergroten de kans op een elektrische schok.

- e) **Wanneer u het elektrische gereedschap buitenshuis gebruikt, dient u te zorgen voor een verlengsnoer dat geschikt is voor gebruik buitenshuis.** Het gebruik van een verlengsnoer dat geschikt is voor gebruik buitenshuis, vermindert de kans op een elektrische schok.
- f) **Moet een krachtmachine in een vochtige locatie worden gebruikt, gebruik dan een aardlekschakelaar (ALS).** Een ALS vermindert het gevaar op elektrische schokken.

#### **3) PERSOONLIJKE VEILIGHEID**

- a) **Blijf alert, kijk waar u mee bezig bent en gebruik uw gezonde verstand wanneer u met elektrisch gereedschap werkt. Gebruik geen elektrisch gereedschap wanneer u moe bent of onder de invloed van drugs, alcohol of medicijnen.** Een moment van onoplettendheid bij het gebruik van elektrisch gereedschap kan leiden tot ernstig persoonlijk letsel.
- b) **Gebruik een veiligheidsuitrusting. Draag altijd oogbescherming.** Een veiligheidsuitrusting, zoals een stofmasker, schoenen met antislipzolen, een veiligheidshelm, of oorbescherming die onder de juiste omstandigheden gebruikt wordt, vermindert de kans op persoonlijk letsel.
- c) **Pas op dat het apparaat niet onbedoeld wordt gestart. Zorg ervoor dat de schakelaar uit staat voordat u de voeding en/of batterij aansluit, en als u de machine oppakt en draagt.** Gereedschap dragen terwijl u uw vinger op de schakelaar houdt, of de stekker in het stopcontact steken terwijl het gereedschap ingeschakeld staat, is vragen om ongelukken.
- d) **Verwijder inbussleutels of moersleutels voordat u het gereedschap inschakelt.** Een sleutel die nog in of op een draaiend onderdeel van het elektrische gereedschap zit, kan leiden tot ernstig persoonlijk letsel.
- e) **Werk niet boven uw macht. Zorg er altijd voor dat u stevig staat en goed in balans bent.** Hierdoor heft u betere controle over het gereedschap in onverwachte situaties.
- f) **Draag geschikte kleding. Draag geen loszittende kleding of sieraden. Houd uw haar, kleding en handschoenen uit de buurt van bewegende onderdelen.** Loszittende kleding, sieraden of lang haar kan vast komen te zitten in bewegende onderdelen.
- g) **Wanneer er apparaten worden bijgeleverd voor stofafzuiging en -opvang, zorg er dan voor dat deze aangesloten zijn en op de juiste manier gebruikt worden.** Het gebruik van deze apparaten vermindert de gevaren die door stof kunnen ontstaan.

**h) Als u gereedschap veelvuldig gebruikt, dan kan dit leiden tot het negeren van de veiligheidsprincipes, probeer dit te vermijden.** Een achteloze actie kan binnen een fractie van een seconde leiden tot ernstig letsel.

#### **4) GEBRUIK EN ONDERHOUD VAN ELEKTRISCH GEREEDSCHAP**

- a) Forceer het gereedschap niet. Gebruik gereedschap dat voor de toepassing geschikt is.** Het gebruik van geschikt gereedschap levert beter werk af en werkt veiliger als het gebruikt wordt op de snelheid waar het voor ontworpen is.
- b) Gebruik het gereedschap niet wanneer de aan/uitschakelaar niet functioneert.** Gereedschap dat niet kan worden bediend met behulp van de schakelaar is gevaarlijk en dient te worden gerepareerd.
- c) Neem de stekker uit het stopcontact en/of verwijder de batterij voordat u instellingen veranderd, toebehoren vervangt of de machine opbergt.** Deze preventieve veiligheidsmaatregelen verminderen de kans op het ongewild inschakelen van het gereedschap.
- d) Berg gereedschap dat niet gebruikt wordt buiten het bereik van kinderen op en laat personen die niet bekend zijn met het gereedschap of met deze veiligheidsinstructies het gereedschap niet bedienen.** Elektrisch gereedschap kan in de handen van ongetrainde gebruikers gevaarlijk zijn.
- e) Onderhoud elektrisch gereedschap op de juiste wijze. Controleer of bewegende onderdelen nog goed uitgelijnd staan, of ze niet ergens vastzitten en controleer op elke andere omstandigheid die ervoor kan zorgen dat het gereedschap niet goed functioneert. Wanneer het gereedschap beschadigd is, dient u het te repareren voordat u het in gebruik neemt.** Veel ongelukken worden veroorzaakt door slecht onderhouden elektrisch gereedschap.
- f) Houd snijdend gereedschap schoon en scherp.** Goed onderhouden snijdend gereedschap met scherpe zaagbladen/messen zal minder snel vastlopen en is makkelijker te bedienen.
- g) Gebruik het gereedschap, de accessoires, de bitjes, enz. in overeenstemming met deze instructies en op de manier zoals bedoeld voor het specifieke type elektrisch gereedschap, rekening houdend met de werkomstandigheden en het uit te voeren werk.** Het gereedschap gebruiken voor andere doeleinden dan waar deze voor ontworpen is, kan gevaarlijke situaties opleveren.
- h) Houd de handgrepen en grijppoppervlakten droog, schoon en vrij van olie en smeermiddel.** Glibberige handgrepen en grijppoppervlakten laten geen veilige hantering toe, en zorgen ervoor dat u geen controle

hebt over het gereedschap in onverwachte omstandigheden.

#### **5) GEBRUIK EN ONDERHOUD VAN ACCUGEREEDSCHAP**

- a) Laad het accupack alleen op met de door de fabrikant aangegeven oplader.** Een oplader die geschikt is voor het ene type accupack, kan brand veroorzaken wanneer die gebruikt wordt voor een ander type accupack.
- b) Gebruik het gereedschap uitsluitend met het aangegeven accupack.** Door het gebruik van andere accupacks ontstaat de kans op letsel of brand.
- c) Wanneer het accupack niet gebruikt wordt, dient u het uit de buurt te houden van metalen voorwerpen, zoals paperclips, munten, sleutels, spijkers, schroeven of andere kleine metalen voorwerpen die een verbinding kunnen maken tussen de contactpunten van de terminal.** Het kortsluiten van de accuterminals kan zorgen voor brandwonden of brand.
- d) Onder extreme omstandigheden kan er vloeistof uit de accu lopen; raak deze vloeistof niet aan. Wanneer u toch onverhoopt met de vloeistof in aanraking komt, dient u dit onmiddellijk af te spoelen met water. Wanneer de vloeistof in de ogen komt, dient u zo snel mogelijk een arts te raadplegen.** Vloeistof die afkomstig is uit de accu kan irritatie of brandwonden veroorzaken.
- e) Gebruik geen accu of gereedschap dat beschadigd of aangepast is.** Beschadigde of aangepaste accu's kunnen onvoorspelbaar reageren, wat kan leiden tot brand, explosie of het veroorzaken van letsel.
- f) Stel een accu of gereedschap niet bloot aan vuur of extreme temperatuur.** Blootstelling aan brand of een temperatuur boven 130°C kan explosie veroorzaken.
- g) Volg alle instructies en laad de accu of het gereedschap niet op buiten het temperatuurbereik dat vermeld is in de handleiding.** Onjuist opladen of opladen bij temperaturen buiten het aangegeven bereik kan de accu beschadigen en het risico op brand vergroten.
- #### **6) SERVICE**
- a) Laat uw elektrisch gereedschap repareren door een bevoegde reparateur die alleen originele reserveonderdelen gebruikt.** Zo bent u er zeker van dat uw gereedschap veilig blijft.
- b) Repareer nooit beschadigde accu's.** Reparatie van accu's mag alleen worden uitgevoerd door de fabrikant of geautoriseerde onderhoudstechnici.

# VEILIGHEIDSIINSTRUCTIES VOOR ALLE ZAGEN

## ZAAGMETHODE

- a)  **WAARSCHUWING: Houd handen uit de buurt van het zaagdeelte van het blad. Houd uw vrije hand op het hulphandvat of op de motorbehuizing.** Wanneer beide handen de zaag vasthouden, kunt u zich niet in de handen vasthouden.
- b) **Reik niet onder het werkobject.** De beschermkap kan u onder het werkobject niet tegen het zaagblad beschermen.
- c) **Stel de zaagdiepte in op de dikte van het werkobject.** Er moet minder dan één tand zichtbaar zijn onder het werkobject.
- d) **Houd het werkobject nooit met de handen vast of over uw been.** Zet het werkobject vast op een stabiel platform. Het is belangrijk om het object voldoende te ondersteunen, zodat uw lichaam niet geraakt kan worden, het zaagblad niet vast kan lopen en u de controle over de machine niet verliest.
- e) **Houd de machine alleen vast bij de geïsoleerde handgrepen, wanneer uw werkzaamheden tot gevolg kunnen hebben dat het accessoire in contact komt met verborgen bedrading of het eigen netsnoer.** Komt het accessoire in contact met een spanningvoerende draad, dank omen de metalen delen van de machine onder spanning staan, wat dodelijk kan zijn voor de gebruiker.
- f) **Gebruik bij het schulpen altijd een langseleider of een richtliniaal.** Dit zorgt voor een nauwkeurige snede en u verminder de kans op een vastgelopen zaagblad.
- g) **Gebruik altijd zaagbladen met opspandoorgaten van de juiste grootte en vorm.** Zaagbladen die niet overeenkomen met de hardware van de zaag zullen excentrisch draaien waardoor u de controle over het apparaat verliest.
- h) **Gebruik nooit beschadigde of onjuiste bouten of ringen voor het zaagblad.** De ringen en moeren voor het zaagblad zijn speciaal ontworpen voor deze zaag zodat deze optimaal presteert en veilig gebruikt kan worden.

# OVERIGE VEILIGHEIDSIINSTRUCTIES VOOR ALLE ZAGEN OORZAKEN EN VOORKOMING VAN TERUGSLAG

- Terugslag is een plotselinge reactie als

het zaagblad klemt, vastloopt of niet goed uitgelijnd is. Hierdoor schiet de zaag omhoog, uit het werkobject en richting de bediener;

- Als het blad klemt of sterk vastloopt omdat de zaagsnede te smal wordt, stopt het zaagblad en als gevolg van de motorreactie schiet het apparaat snel terug richting de bediener;
- Als het blad knikt of niet goed is uitgelijnd, zullen de tanden aan de achterkant van het blad in het bovenste oppervlak van het hout zagen, zodat het blad uit de zaagsnede komt en terugschiet richting de bediener.

Terugslag is het gevolg van verkeerd gebruik en/of onjuiste bediening of omstandigheden. Dit kan voorkomen worden door de juiste voorzorgsmaatregelen te nemen, zoals hieronder vermeld.

- a) **Houd de zaag met beide handen goed vast en plaats uw armen zodanig dat u de kracht van een terugslag kunt weerstaan. Ga met uw lichaam aan een van beiden zijden van het zaagblad staan, maar niet op één lijn met het zaagblad.** Terugslag kan ervoor zorgen dat de zaag terugschiet, maar de kracht ervan kan worden weerstaan door de bediener, indien deze de juiste voorzorgsmaatregelen heeft getroffen.
- b) **Als het blad vastloopt, of als de snee om welke reden dan ook wordt onderbroken, laat dan de schakelaar los en houd de zaag bewegingsloos in het materiaal totdat het zaagblad volledig stilstaat. Probeer nooit de zaag uit het werkobject te halen of terug te trekken terwijl het blad nog beweegt; dit kan een terugslag veroorzaken.** Onderzoek en corrigeer zaken ter voorkoming van het vastlopen van het blad.
- c) **Als u de zaag opnieuw aanzet in het werkobject, centreer het zaagblad dan in de zaagsnede en controleer of de zaagtanden niet vastzitten in het materiaal.** Als het zaagblad vastloopt, kan deze omhoog gaan of een terugslag geven zodra de zaag opnieuw wordt gestart.
- d) **Ondersteun grote panelen om zo het risico op het klemmen van het blad en terugslag te voorkomen.** Grote panelen kunnen onder hun gewicht doorzakken. Ondersteuning dient te worden geplaatst aan beide zijden onder het paneel, nabij de zaagsnede en de rand van het paneel.
- e) **Gebruik geen stompe of beschadigde zaagbladen.** Onscherpe of onjuist ingestelde bladen produceren een smalle zaagsnede en dit zorgt voor extra frictie, het vastlopen van het blad en een terugslag.
- f) **Bladdiepte en de sluithefbomen voor het instellen van de afschuining moeten goed zijn vergrendeld voordat u kunt gaan zagen.** Als deze instellingen verschuiven tijdens het zagen, kan het zaagblad vastlopen en een terugslag veroorzaken.
- g) **Wees extra zorgvuldig als u rechtstreeks**

in een bestaande wand zaagt of andere blinde gebieden. Het uitstekende zaagblad zaagt mogelijk in voorwerpen die een terugslag kunnen veroorzaken.

## VELLIGHEIDSINSTRUCTIES VOOR HET ZAGEN MET INTERNE PENDELBEVEILIGING

### FUNCTIE ZAAGKAP ONDERAAN

- a) **Controleer voor ieder gebruik of de onderste beveiliging op de juiste manier is vergrendeld. Gebruik de zaag niet als de onderste bescherming niet vrij beweegt en onmiddellijk sluit. Klem of bind de onderste bescherming nooit vast in de open positie.** Als de zaag onopzettelijk valt, kan de onderste bescherming verbuigen. Trek de onderste bescherming omhoog met de terugtrekhandel en zorg ervoor dat deze vrij kan bewegen en het blad of welk ander deel niet raakt in alle hoeken of zaagdiepten.
- b) **Controleer de werking van de veer van de onderste bescherming. Als de bescherming en de veer niet goed functioneren, dienen deze voor gebruik te worden gerepareerd.** De onderste bescherming werkt misschien niet goed als gevolg van beschadigde onderdelen, gomachtige aanslag of vuil.
- c) **De onderste bescherming dient alleen handmatig te worden teruggetrokken bij speciale sneden zoals rechtstreeks in een oppervlak of samengestelde sneden. Trek de onderste bescherming omhoog met behulp van de terugtrekhandel en zodra het blad in het materiaal gaat, dient u de onderste bescherming los te laten.** Bij alle andere zaagbewerkingen, werkt de onderste bescherming automatisch.
- d) **Let erop dat de onderste bescherming altijd over het blad zit voordat de zaag op een werkbank of de grond wordt gezet.** Bij een onbeschermde zaagblad waarbij de motor niet actief is, loopt de zaag terug en snijdt deze in alles wat in de weg zit. Denk eraan dat het even duurt.

## EXTRA VEILIGHEIDSINSTRUCTIES VOOR EXACTRACK™ SNIJDEN

- a) **De onderste afscherming mag alleen handmatig worden verwijderd voor EXACTRACK™ sneden. Breng de onderste**

**afscherming omhoog door de handgreep terug te trekken en zodra de zaag in het materiaal komt, moet de onderste afscherming worden vrijgegeven.** Voor alle andere zaagbewerkingen moet de onderste afscherming automatisch werken.

- b) **Bij EXACTRACK™ snijden mag de aansluitchakelaar alleen worden ingeschakeld zodra de zaag in het materiaal komt.**

## EXTRA VEILIGHEIDSREGELS VOOR UW CIRKELZAAG

1. Gebruik alleen zaagbladen die door de fabrikant worden aanbevolen en beantwoorden aan EN 847-1, als ze bedoeld zijn voor hout en gelijkaardige materialen.
2. Gebruik geen schuurschijven.
3. Gebruik alleen de bladdiameter(s) volgens de markeringen.
4. Identificeer het juiste zaagblad voor het te zagen materiaal.
5. Gebruik alleen zaagbladen die gemarkeerd zijn met een snelheid die gelijk is aan of hoger dan de snelheid die op het apparaat is vermeld.

## VEILIGHEIDSINSTRUCTIES VOOR HET ACCUPACK

- a) **Batterijcellen en accupacks mogen niet gedemonteerd, geopend of vernietigd worden.**
- b) **Sluit accupacks niet kort. Bewaar accupacks niet willekeurig in een doos of lade waar ze elkaar kunnen kortsluiten of door geleidende voorwerpen kortgesloten kunnen worden.** Houd het accupack op een afstand van andere metalen voorwerpen als paperclips, muntstukken, sleutels, nagels, schroeven en andere kleine metalen voorwerpen die de contacten van de accupack kunnen verbinden. Kortgesloten contacten van accupacks kunnen brandwonden of brand veroorzaken.
- c) **Stel accupacks niet bloot aan warmte of vuur. Vermijd opslag in direct zonlicht.**
- d) **Stel accupacks niet bloot aan mechanische schokken.**
- e) **Als een accu lekt dient men voorzichtig te zijn dat de vloeistof niet in contact komt met de huid of de ogen. Als dat toch gebeurt spoelt men de huid onder stromend water en raadpleegt men een arts.**
- f) **Raadpleeg meteen een arts wanneer een batterij of accupack is ingeslikt.**
- g) **Houd batterijcellen en accupacks schoon en droog.**
- h) **Veeg de aansluitingen van het accupack schoon met een droge doek als ze vuil zijn**

geworden.

- i) **Accupacks moeten voor gebruik worden opgeladen. Lees de gebruiksaanwijzing voor de juiste laadinstructies.**
- j) **Laat accupacks niet langdurig opladen als ze niet worden gebruikt.**
- k) **Na een lange opslagperiode kan het nodig zijn het accupack enkele keren op te laden en te ontladen voor een optimale prestatie.**
- l) **Accupacks presteren het best bij normale kamertemperatuur (20°C±5°C).**
- m) **Wanneer u accupacks wegwerpt, dient u accupacks van verschillende elektrochemische systemen van elkaar afgezonderd te houden.**
- n) **Laad alleen op met een lader met de technische gegevens van WORX. Gebruik geen andere lader dan de lader die specifiek voor dat doel met de apparatuur is meegeleverd.** Een lader voor één type accupack geschikt is kan een brandgevaar inhouden wanneer gebruikt met een ander type.
- o) **Gebruikt geen accupack dat niet bedoeld is voor gebruik met deze apparatuur.**
- p) **Houd accupacks buiten het bereik van kinderen.**
- q) **Bewaars de oorspronkelijke instructies van het product voor latere gebruik.**
- r) **Verwijder het batterijpakket uit de apparatuur als het niet in gebruik is.**
- s) **Volg de juiste procedure voor afvalverwijdering na afdanken van dit apparaat .**
- t) **Gebruik geen cellen van verschillende fabrikanten, capaciteit, afmetingen of typen binnen een apparaat.**
- u) **Verwijder het accupack niet uit de originele verpakking, tot dit nodig is voor gebruik.**
- v) **Let op de plus (+) en min (-) markeringen op de accu en zorg voor correct gebruik.**

## SYMBOLLEN

	Lees de gebruikershandleiding om het risico op letsels te beperken
	WAARSCHUWING
	Draag oorbescherming
	Draag een veiligheidsbril

	Draag een stofmasker
	Niet blootstellen aan regen of water
	Niet verbranden
	Batterijen niet weggooien. Breng lege accu's naar een recyclecentrum of inzamelpunt voor chemisch afval bij u in de buurt.
	Zorg dat de batterij is verwijderd voordat de toebehoren worden verwijderd of aanpassingen aan het gereedschap worden gemaakt.
	Draag beschermende handschoenen
	Hout
	Tandzaagwiel
	Vergrendelen
	Ontgrendelen
	Afgedankte elektrische producten mogen niet bij het normale huisafval terechtkomen. Breng deze producten waar mogelijk naar een recyclecentrum bij u in de buurt. Vraag de verkoper of de gemeente informatie en advies over het recyclen van elektrische apparatuur.

# ONDERDELENLIJST

<b>1. VEILIGHEIDSKNOP</b>
<b>2. AAN/UIT-SCHAKELAAR</b>
<b>3. EXTRA HANDGREEP</b>
<b>4. ZAAGMARKERING 0°</b>
<b>5. ZAAGMARKERING 45°</b>
<b>6. VOETPLAAT</b>
<b>7. BLOKKERING VAN VOETPLAAT</b>
<b>8. HOEKMARKERINGEN VOETPLAAT</b>
<b>9. INBUSLEUTEL</b>
<b>10. ACCUPACK *</b>
<b>11. PAL ACCUPACK*</b>
<b>12. VASTE BESCHERMKAP</b>
<b>13. OPENING VOOR STOFAFZUIGING</b>
<b>14. HENDEL VAN ONDERSTE KAP</b>
<b>15. EXACTRACK™ VOETPLAATHOUDER</b>
<b>16. ZAAGBLAD</b>
<b>17. BUITENSTE FLENS</b>
<b>18. BOUT ZAAGBLAD</b>
<b>19. ONDERSTE BESCHERMKAP</b>
<b>20. AS</b>
<b>21. BINNENSTE FLENS</b>
<b>22. DIEPTESCHAAL (Zie Fig. E)</b>
<b>23. VERGRENDING VOOR SNIJDIEPTE (Zie Fig. E)</b>
<b>24. SCHAKELHENDEL (Zie Fig. E)</b>
<b>25. ASSTOPVERGRENDING (Zie Fig. K2)</b>

\* Niet alle afgebeelde of beschreven toebehoren worden standaard meegeleverd.

## TECHNISCHE GEGEVENS

Type **WX530 WX530.1 WX530.9** (5-aanduiding van machines, kenmerkend voor Zaag)

	WX530	WX530.1	WX530.9
Nominaal vermogen	20 V $\equiv$ Max**		
Onbelaste (nominale) snelheid	4900/min		
Grootte van zaagblad	165 mm		

Grootte opspan-doorn	20 mm
Zaagcapaciteit	
Zaagdiepte bij 45°	39 mm
Zaagdiepte bij 90°	55 mm
Verstek capaciteit	0-50°
Gewicht machine(Exclusief batterij)	2.3 kg

\*\*Spanning gemeten zonder belasting.  
Beginspanning batterij bereikt maximum 20 volt.  
Nominale spanning is 18 volt.

## GELUIDSPRODUCTIE

A-gewogen geluidsdruk	$L_{pA} = 82.8$ dB(A)
A-gewogen geluidsvermogen	$L_{WA} = 93.8$ dB(A)
$K_{pA}$ & $K_{WA}$	3 dB(A)

**A-gewogen geluidsvermogen**



## TRILLINGSGEGEVENS

Totale trillingswaarden (triax vector-som) volgens EN 62841:

Trillingsemisiewaarde:	Zagen in hout: $a_{h,w} = 6.572$ m/s <sup>2</sup>
	Onzekerheid $K = 1.5$ m/s <sup>2</sup>

De totale waarde van trillingen en geluidsemisie werden gemeten volgens een standaard testmethode en kunnen worden gebruikt om gereedschappen te vergelijken.

De totale waarde van trillingen en geluidsemisie kunnen ook voor een voorlopige beoordeling van de blootstelling worden gebruikt.

**⚠ WAARSCHUWING:** Trillingen en geluidsemisie die tijdens het gebruik van het gereedschap optreden, kunnen verschillen van de opgegeven waarde, dit is afhankelijk van de manier waarop het gereedschap wordt gebruikt, met name van het werkstuk dat wordt bewerkt, afhankelijk van de volgende voorbeelden en andere variaties in de manier waarop het gereedschap wordt gebruikt: Hoe de machine gebruikt wordt en hoe het materiaal gesneden of geboord wordt. De conditie en de onderhoudstoestand van de

machine.

Gebruik van de juiste toebehoren. Zorg ervoor dat ze scherp zijn en in goede conditie.

Hoe stevig de handgreep wordt vastgehouden en of er anti-trilling en -geluidsaccessoires worden gebruikt.

De machine moet gebruik worden zoals door de ontwerper bedoeld is en in overeenstemming met deze instructies.

**Deze machine kan een trillingssyndroom in hand en arm veroorzaken als hij niet op de juiste wijze gehanteerd wordt.**

 **WAARSCHUWING:** Voor de nauwkeurigheid moet bij een schatting van het blootstellingsniveau in de feitelijke gebruiksomstandigheden rekening worden gehouden met alle delen van de bewerking, zoals het moment dat de machine wordt uitgeschakeld en de tijden waarop de machine loopt zonder daadwerkelijk gebruikt te worden. Dit kan het blootstellingsniveau over de totale werkperiode aanzienlijk verminderen.

Het risico op blootstelling aan trillingen en geluid verminderen.

Gebruik **ALTIJD** scherpe beitels, boren en zaagbladen.

Onderhoud de machine volgens deze instructies en houd hem goed gesmeerd (voor zover van toepassing).

Als het gereedschap regelmatig wordt gebruikt, investeer dan in anti-trilling en -geluidsaccessoires. Plan de werkzaamheden zodat de taken met veel trillingen over een aantal dagen verspreid worden.

## TOEBEHOREN

	WX530	WX530.1	WX530.9
Tandzaagwiel	1	1	1
Stofadapter	1	1	1
Inbussleutel	1	1	1
Pal accupack (WA3551.1)	1	/	/
Pal accupack (WA3553)	/	1	/
Lader (WA3860)	1	1	/

Wij adviseren u alle accessoires te kopen in de winkel waar u het gereedschap heeft aangekocht. Kijk op de verpakking van accessoires voor meer informatie. Ook het winkelpersoneel kan u helpen en adviseren.

## BEDIENINGSINSTRUCTIES



**OPMERKING:** lees het instructieboekje aandachtig voor gebruik van het gereedschap. **BEOOGD GEBRUIK**

Het gereedschap is bedoeld voor het recht doorsnijden en doorzagen van hout en andere materialen, terwijl het stevig op het werkstuk rust.

## ASSEMBLAGE EN BEDIENING

ACTIE	AFBEELDING
<b>VOOR GEBRUIK</b>	
Verwijderen & Plaatsen van het accupack	Zie Fig. A1
De batterij opladen	Zie Fig. A2
Controle van de staat van de accu (alleen voor WX530.1)	Zie Fig. A3

### MONTAGE

Monteren en verwijderen zaagblad  
**Opmerking: voor losdraaien of vastdraaien van de bladbout moet de spilvergrendelknop worden ingedrukt.**

 **WAARSCHUWING:** Verwijder vóórdat u het zaagblad vervangt altijd eerst de accu!  
**OPMERKING:** Wanneer u het gereedschap gebruikt, sluit u de stofadapter aan op de stofafscheider.

Zie Fig. B

Opslagplaats voor inbussleutel

Zie Fig. C

### BEDIENING

Veiligheidsschakelaar

 **WAARSCHUWING:** Leg uw handen niet rond de grondplaat om letsel door het scherpe zaagblad te voorkomen.

Zie Fig. D

Zaagdiepte aanpassen

Zie Fig. E

Zaaghandleiding

Zie Fig. F

Verstekzagen

**OPMERKING: Verstekzagen kan niet worden gebruikt bij de instelling EXACTRACK™.**

Zie Fig. G

Zaagsel verwijderen

Zie Fig. H

### EXACTRACK™

**Wat is EXACTRACK™?**

EXACTRACK™ is een innovatieve functie die een rechte snede kan vergemakkelijken door het zaagblad

tegen de snijgeleider te houden.

### Veiligheidsopmerkingen

**WAARSCHUWING:** De tanden van het zaagblad zijn zeer scherp. Draag beschermende handschoenen. Houd uw handen uit de buurt van de onderste afscherming wanneer deze is geopend.

### EXACTRACK™ gebruiksbereik

1. EXACTRACK™ werkt tussen 0–43mm in diepte. (Zie Fig. I)
2. EXACTRACK™ werkt alleen met sneden in 90 graden, het werkt niet in een schuine hoek.

### Voor gebruik

**WAARSCHUWING:** Verwijder het accu uit het gereedschap voordat u aanpassingen doet, plaats het accu in de buurt van de zaag.

1. Pas de gewenste diepte aan (bereik 0–43mm). (Zie Fig. I)
2. Zet de hendel op de EXACTRACK™ modus. (Zie Fig. J)
3. Markeer de gewenste snijlijn op het werkstuk, klem de geleider (niet meegeleverd) vast, met de rand rechts van de snijlijn, de lengte van de geleider moet ten minste 230 mm langer zijn aan beide uiteinden. (Zie Fig. K1)
4. Plaats de EXACTRACK™ plaat (rood onderdeel) op de geleider (niet meegeleverd), en zorg dat de plaat op het werkstuk zit. (Zie Fig. K2)
5. Open handmatig de onderste afscherming ( ) **houd uw handen uit de buurt van het blad**, duw de zaag tegen de zijkant van de geleider, verwijder dan de hand van de onderste afscherming. (Zie Fig. K3)

### Bediening

1. De accu installeren.
2. Houd de zaag stevig met beide handen vast en zorg dat de basisplaat stevig tegen de geleider past (niet meegeleverd) tijdens het zagen. (Zie Fig. K4)
3. Schakel het gereedschap in om te beginnen zagen (Zie Fig. K5)

### STANDAARD modus

Voor normaal 90 graden of schuin zagen (EXACTRACK™ functie uitschakelen), zet de hendel op de STANDAARD modus en uw gereedschap kan vervolgens als een standaard cirkelzaag worden gebruikt. (Zie Fig. L)

De STANDAARD modus kan in de snijdiepte van 0–55mm (90 graden), 0–39mm (45 graden) worden gebruikt.

Voor productinformatie, ga naar [www.worx.com](http://www.worx.com) en bekijk de instructievideo.



## TIPS VOOR HET WERKEN MET UW APPARAAT

Wordt de machine te heet, laat hem dan 2 à 3 minuten onbelast draaien om de motor af te koelen. Gebruik de zaag niet langere tijd bij een zeer lage snelheid.

Bescherm de zaagbladen tegen schokken en stoten. Forceer het gereedschap niet. Oefen een lichte en continue druk uit om te vermijden dat het zaagblad oververhit. Te sterke voorwaartse aandrukkracht beperkt de capaciteit van het gereedschap aanzienlijk en bekort de levensduur van het zaagblad. Zaagcapaciteit en zaagkwaliteit zijn in belangrijke mate afhankelijk van de toestand en de tandvorm van het zaagblad. Gebruik daarom alleen scherpe, voor het te bewerken materiaal geschikte zaagbladen. Te gebruiken messen: 24 tanden voor algemeen werk, ongeveer 40 tanden voor fijne sneden, meer dan 40 tanden voor zeer fijne sneden in tere oppervlakken, cementplaten, enz. Gebruik alleen de aanbevolen zaagbladen.

## ONDERHOUD

**Verwijder het accu uit het gereedschap voordat u aanpassingen of onderhoudswerkzaamheden uitvoert.**

Houd uw gereedschappen scherp en schoon voor betere en veiligere prestaties. Volg de instructies voor het smeren en vervangen van toebehoren. Uw gereedschap vereist geen smering of onderhoud. Dit gereedschap bevat geen onderdelen die door de gebruiker dienen te worden onderhouden. Gebruik nooit water of chemische reinigingsmiddelen voor het schoonmaken van uw elektrische gereedschap. Veeg schoon met een droge doek. Bewaar uw elektrische gereedschap altijd op een droge plaats. Houd de ventilatieopeningen van de motor schoon. Houd alle bedieningselementen vrij van stof. Verwijder zaagsel en houtkrullen geregeld van de kap en de voetplaat om zeker te zijn van goede prestaties.

### VOOR GEREEDSCHAP MET ACCU'S

De omgevingstemperatuur voor het gebruik van het gereedschap en de accu en de opslag ligt tussen 0°C en 45°C.

De aanbevolen omgevingstemperatuur voor het laadsysteem tijdens het opladen ligt tussen 0°C en 40°C.

## BESCHERMING VAN HET MILIEU

 Afgedankte elektrische producten mogen niet bij het normale huisafval terechtkomen. Breng deze producten waar mogelijk naar een recyclecentrum bij u in de buurt. Vraag de verkoper of de gemeente informatie en advies

over het recyclen van elektrische apparatuur.

## PROBLEMEN OPLOSSEN

Symptoom	Mogelijke oorzaken	Mogelijke Oplossing
Machine start niet als de aan/uitschakelaar bediend wordt.	Accu niet aangesloten. Accu is leeg.	Controleer of de accu goed is aangesloten en of de aansluiting functioneert. Laad de accu op.
Zaagdiepte is minder dan is ingesteld.	Opgehoopt zaagsel aan de achterkant van de voetplaat.	Schud het zaagsel weg. Overweeg om stofafzuiging te gebruiken.
Zaagmes draait door of slipt.	Zaagblad zit niet stevig vast op de as.	Verwijder het zaagblad en monteer het zoals beschreven onder <b>Monteren En Verwijderen Zaagblad</b> .
Er wordt geen rechte snede gemaakt.	Zaagblad is bot. Zaagblad is niet goed gemonteerd. Zaagblad wordt niet goed geleid.	Monteer een nieuw, scherp zaagblad. Controleer of het zaagblad goed gemonteerd is. Gebruik een parallelle geleider.
Terugslag bij het beginnen van een snede.	Zaagblad draait niet snel genoeg.	Laat het zaagblad op snelheid komen voordat u met zagen begint.

## CONFORMITEITVERKLARING

Wij,  
POSITEC Germany GmbH  
Grüner Weg 10, 50825 Cologne, Germany

Verklaren dat het product  
Beschrijving **Accu Cirkelzaag**  
Type **WX530 WX530.1 WX530.9 (5-  
aanduiding van machines, kenmerkend voor  
Zaag)**

Functie **Snijden van verschillende materialen  
met een draaiende getande zaagblad**

Voldoet aan de volgende richtlijnen,  
**2006/42/EC, 2014/30/EU,  
2011/65/EU&(EU)2015/863**

Normen voldoen aan,  
**EN 62841-1, EN 62841-2-5, EN 55014-1,  
EN 55014-2**

De persoon die bevoegd is om het technische  
bestand te compileren,

**Naam Marcel Filz**  
**Adres Positec Germany GmbH Grüner Weg  
10, 50825 Cologne, Germany**

2019/5/28  
Allen Ding  
Plaatsvervangend Chief Ingenieur, Testen en  
Certificering  
Positec Technology (China) Co., Ltd  
18, Dongwang Road, Suzhou Industrial Park,  
Jiangsu 215123, P.R. China



# BEZPIECZEŃSTWO PRODUKTU OGÓLNE OSTRZEŻENIA DOTYCZĄCE BEZPIECZEŃSTWA PODCZAS PRACY Z ELEKTRONARZĘDZIAMI

**!** **OSTRZEŻENIE: Przeczytaj wszystkie ostrzeżenia, instrukcje, ilustracje i specyfikacje dostarczone z elektronarzędziem.** Niestosowanie się do podanych wskazówek może spowodować porażenie prądem, pożar i / lub ciężkie obrażenia ciała.

**Należy dobrze przechowywać te przepisy.** Użyte w dalszej części pojęcie „elektronarzędzie” odnosi się do elektronarzędzi napędzanych prądem (z kablem zasilającym) i do elektronarzędzi napędzanych akumulatorami (bez kabla zasilającego).

## 1) MIEJSCE PRACY

- a) **Miejsce pracy należy utrzymywać w czystości i dobrze oświetlone.** Nieporządek i nie oświetlane zakrepy pracy mogą doprowadzić do wypadków.
- b) **Nie należy pracować tym narzędziem w otoczeniu zagrożonym wybuchem, w którym znajdują się np. łatwopalne ciecze, gazy lub pyły.** Elektronarzędzia wywołują iskry, które mogą podpalić ten pył lub pary.
- c) **Elektronarzędzie trzymać podczas pracy z daleka od dzieci i innych osób.** Przy odwróceniu uwagi można stracić kontrolę nad narzędziem.

## 2) BEZPIECZEŃSTWO ELEKTRYCZNE

- a) **Wtyczka urządzenia musi pasować do gniazda. Nie wolno zmieniać wtyczki w jakikolwiek sposób. Nie należy używać wtyczek adapterowych razem z uziemionymi narzędziami.** Niezmienione wtyczki i pasujące gniazda zmniejszają ryzyko porażenia prądem.
- b) **Należy unikać kontaktu z uziemionymi powierzchniami jak rury, grzejniki, piece i lodówki.** Istnieje zwiększone ryzyko porażenia prądem, gdy Państwa ciało jest uziemione.
- c) **Urządzenie należy trzymać zabezpieczone przed deszczem i wilgocią.** Wniknięcie wody do elektronarzędzia podwyższa ryzyko porażenia prądem.
- d) **Nigdy nie należy używać kabla do innych czynności. Nigdy nie używać kabla do noszenia urządzenia za kabel, zawieszania lub do wyciągania wtyczki z gniazda. Kabel należy trzymać z daleka od wysokich temperatur, oleju; ostrych krawędzi lub ruchomych części**

**urządzenia.** Uszkodzone lub poplątane kable zwiększają ryzyko porażenia prądem.

- e) **W przypadku, że elektronarzędziem pracuje się na świeżym powietrzu należy używać kabla przedłużającego, który dopuszczony jest do używania na zewnątrz.** Użycie dopuszczonego do używania na zewnątrz kabla przedłużającego zmniejsza ryzyko porażenia prądem.
- f) **Jeśli nie można uniknąć posługiwania się elektronarzędziem w miejscu o dużej wilgotności należy użyć zabezpieczonego zasilacza domowego (RCD).** Stosowanie RCD zmniejsza ryzyko porażenia prądem elektrycznym.

## 3) BEZPIECZEŃSTWO OSÓB

- a) **Należy być uważnym, zważać na to co się robi i pracę elektronarzędziem rozpoczynać z rozsądkiem. Nie należy używać urządzenia gdy jest się zmęczonym lub pod wpływem narkotyków, alkoholu lub leków.** Moment nieuwagi przy użyciu urządzenia może doprowadzić do poważnych obrażeń ciała.
- b) **Należy nosić osobiste wyposażenie ochronne i zawsze okulary ochronne.** Noszenie osobistego wyposażenia ochronnego jak maska przeciwpyłowa, nie ślizgające się buty robocze, hełm ochronny lub ochrona słuchu, w zależności od rodzaju i użycia elektronarzędzia zmniejsza ryzyko obrażeń ciała.
- c) **Należy zapobiec przypadkowemu uruchomieniu. Przed podłączeniem do sieci zasilającej i/lub zestawu baterii, podniesieniem urządzenia i przenoszeniem urządzenia należy sprawdzić, czy przełącznik znajduje się w pozycji wyłączenia.** W przypadku, że przy noszeniu urządzenia trzyma się palec na włączniku/ wyłączniku lub włączone urządzenie podłączone zostanie do prądu, to może to doprowadzić do wypadków.
- d) **Zanim urządzenie zostanie włączone należy usunąć narzędzia nastawcze lub klucze.** Narzędzie lub klucz, które znajdują się w ruchomych częściach urządzenia mogą doprowadzić do obrażeń ciała.
- e) **Nie należy przeceniać swoich możliwości. Należy dbać o bezpieczną pozycję pracy i zawsze utrzymywać równowagę.** Przez to możliwa jest lepsza kontrola urządzenia w nieprzewidywanych sytuacjach.
- f) **Należy nosić odpowiednie ubranie. Nie należy nosić luźnego ubrania lub biżuterii.** Włosy, ubranie i rękawice należy trzymać z daleka od ruchomych części. Luźne ubranie, biżuteria lub długie włosy mogą zostać ujęte przez poruszające się części.
- g) **W przypadku, że możliwe jest zamontowanie urządzeń odsysających lub podchwytyjących należy upewnić się, czy są one właściwie podłączone i prawidłowo użyte.** Użycie tych urządzeń

- zmniejsza zagrożenie spowodowane pyłami.
- h) Częste używanie urządzenia i rutyna może osłabić twoją uwagę i być przyczyną niedotrzymywania zasad bezpieczeństwa.** Nieważne działanie może spowodować poważne szkody w ułamku sekundy.
- 4) STARANNE OBCOWANIE ORAZ UŻYCIE ELEKTRONARZĘDZI**
- a) Nie należy przeciążać urządzenia. Do pracy używać należy elektronarzędzia, które jest do tego przewidziane.** Odpowiednim narzędziem pracuje się lepiej i bezpieczniej w podanym zakresie sprawności.
- b) Nie należy używać elektronarzędzia, którego włącznik/wyłącznik jest uszkodzony.** Elektronarzędzie, którego nie można włączyć lub wyłączyć jest niebezpieczne i musi zostać naprawione.
- c) Należy odłączyć wtykę od źródła zasilania i/lub zestawu baterii, przed wykonaniem jakichkolwiek regulacji, zmiany akcesoriów lub podczas przechowywania elektronarzędzi.** Ten środek ostrożności zapobiega niezamierzonemu włączeniu się urządzenia.
- d) Nie używane elektronarzędzia należy przechowywać poza zasięgiem dzieci. Nie należy dać narzędzia do użytku osobom, które jego nie znają lub nie przeczytały tych przepisów.** Używane przez niedoświadczone osoby elektronarzędzia są niebezpieczne.
- e) Urządzenie należy pieczołowicie pielęgnować. Należy kontrolować, czy ruchome części urządzenia funkcjonują bez zarzutu i nie są zablokowane, czy części nie są pęknięte lub uszkodzone, co mogłoby mieć wpływ na prawidłowe funkcjonowanie urządzenia.** Uszkodzone części należy przed użyciem urządzenia oddać do naprawy. Wiele wypadków spowodowanych jest przez niewłaściwą konserwację elektronarzędzi.
- f) Narzędzia tnące należy utrzymywać ostre i czyste.** Starannie pielęgnowane narzędzia tnące z ostrymi krawędziami tnącymi zablokują się rzadziej i łatwiej się je prowadzi.
- g) Elektronarzędzia, osprzęt, narzędzia itd. należy używać odpowiednio do tych przepisów i tak, jak jest to przewidziane dla tego specjalnego typu urządzenia.** Uwzględnić należy przy tym warunki pracy i czynność do wykonania. Użycie elektronarzędzi do innych niż przewidziane prace może doprowadzić do niebezpiecznych sytuacji.
- h) Uchwyty oraz powierzchnie elementów obsługi urządzenia utrzymywać suche, czyste, bez oleju i smaru.** Śliskie uchwyty oraz inne powierzchnie stanowią przeszkodę w bezpiecznej obsłudze i kontroli nad narzędziem w nieoczekiwanych sytuacjach.
- 5) STARANNE UŻYTKOWANIE ELEKTRONARZĘDZI NAPĘDZANYCH AKUMULATORAMI**
- a) Akumulatory należy ładować tylko w ładowarkach, które poleci producent.** Dla ładowarki, która nadaje się do ładowania określonych akumulatorów istnieje niebezpieczeństwo pożaru, gdy użyte zostaną inne akumulatory.
- b) Do elektronarzędzi należy używać jedynie przewidzianych do tego akumulatorów.** Użycie innych akumulatorów może doprowadzić do obrażeń ciała i niebezpieczeństwa pożaru.
- c) Nie używany akumulator należy trzymać z daleka od spinaczy, monet, kluczy, gwoździ, śrub lub innych małych przedmiotów metalowych, które mogłyby spowodować zmostkowanie kontaktów.** Zwarcie pomiędzy kontaktami akumulatora może spowodować oparzenia lub pożar.
- d) Przy niewłaściwym użyciu możliwe jest wydostanie się cieczy z akumulatora. Należy unikać kontaktu z nią. Przy przypadkowym kontakcie spłukać wodą. W przypadku, że ciecz dostała się do oczu należy dodatkowo skonsultować się z lekarzem.** Ciecz akumulatorowa może doprowadzić do podrażnienia skóry lub oparzeń.
- e) Zabrania się używania uszkodzonego lub zmodyfikowanego akumulatora lub urządzenia.** Uszkodzone lub zmodyfikowane akumulatory mogą działać w nieoczekiwany sposób wywołując pożar, eksplozję lub zagrożenie zranienia osób.
- f) Zabrania się wystawiania akumulatora lub urządzenia na działanie ognia lub podwyższonej temperatury.** Działanie ognia lub temperatury przekraczającej 130 °C może spowodować eksplozję.
- g) Kierować się instrukcjami dotyczącymi sposobu ładowania, nie wystawiać akumulatora na działanie temperatury poza zakresem podanym w instrukcji obsługi.** Niewłaściwy sposób ładowania akumulatora lub działanie temperatury poza zakresem podanym w instrukcji, może być przyczyną uszkodzenia akumulatora lub nastanie podwyższonego ryzyka wybuchu pożaru.
- 6) SERWIS**
- a) Naprawę urządzenia należy zlecić jedynie kwalifikowanemu fachowcowi i przy użyciu oryginalnych części zamiennych.** To gwarantuje, że bezpieczeństwo urządzenia zostanie zachowane.
- b) Zabrania się dokonywania naprawy uszkodzonego akumulatora.** Naprawę akumulatora może wykonywać wyłącznie producent lub autoryzowany punkt serwisowy.

# PRZEPISY BEZPIECZEŃSTWA DLA WSZYSTKICH PILAREK

## PROCES CIĘCIA

- a)  **OSTRZEŻENIE: Nie zbliżać rąk do obszaru cięcia oraz tarczy. Trzymać drugą rękę na uchwycie dodatkowym lub obudowie silnika.** Jeśli obie ręce trzymają piłę, piła nie będzie mogła ich przeciąć.
- b) **Nie sięgać pod obrabiany przedmiot.** Osłona nie ochrania od tarczy poniżej obrabianego przedmiotu.
- c) **Wyregulować głębokość cięcia według grubości obrabianego przedmiotu.** Pod obrabianym przedmiotem powinno wystawać mniej niż pełny ząb tarczy zębatej.
- d) **Nigdy nie należy przytrzymywać ciętego przedmiotu rękami ani między nogami. Zabezpieczyć obrabiany przedmiot na bezpiecznej platformie.** Ważne jest, aby podeprzeć właściwie przedmiot w celu zminimalizowania narażenia ciała, zgięcia tarczy czy utraty kontroli.
- e) **Podczas wykonywania prac, w których przyrządy tnące mogą przeciąć kabel elektryczny, narzędzie można trzymać jedynie za izolowaną powierzchnię karbowaną.** Oprzyrządowanie tnące po zetknięciu się z przewodem będącym pod napięciem może przewodzić prąd i spowodować porażenie operatora.
- f) **Podczas cięcia wzdłużnego zawsze należy używać prowadnicy piły tarczowej lub przymiaru.** Poprawia to dokładność cięcia i zmniejsza możliwość zgięcia tarczy.
- g) **Zawsze używać tarcz o właściwym rozmiarze i kształcie (rombowy przeciw okrągłemu) otworów oprawki.** Tarcze, które nie pasują do osprzętu piły będą działać nieoptymalnie powodując utratę kontroli.
- h) **Nigdy nie należy używać uszkodzonych lub niewłaściwych podkładek lub śrub tarcz.** Podkładki i śruby tarcz zostały specjalnie zaprojektowane dla piły w celu uzyskania optymalnej wydajności oraz bezpieczeństwa pracy.

## Dalsze instrukcje bezpieczeństwa dla wszystkich pił

### Przyczyny oraz zapobieganie szybkim ruchom powrotnym

- Szybki ruch powrotny jest nagłą reakcją na zablokowaną, zgiętą lub źle ułożoną tarczę, co powoduje niekontrolowane wyskoczenie piły z obrabianego przedmiotu w kierunku operatora.
- Kiedy tarcza zostaje złapana lub mocno zgięta przez zamykające się przecięcie, tarcza blokuje

się a działanie silnika wywołuje nagłe wyrzucenie urządzenia w kierunku operatora.

- Jeśli tarcza pognie się lub źle się ułoży w szczelinie, zęby tylnej krawędzi tarczy mogą wciąć się w górną powierzchnię drewna powodując, że tarcza wyskoczy ze szczeliny w kierunku operatora.
  - Szybki ruch powrotny jest wynikiem złego użycia i/lub niewłaściwych procedur lub warunków pracy, a można go uniknąć stosując właściwe środki ostrożności podane poniżej.
- a) **Utrzymać pewny chwyt obu dłońmi na pile i ustawić ramiona w sposób umożliwiający zablokowanie siły odskoku. Ułożyć ciało po jednej ze stron tarczy, ale nie w jednej linii z tarczą.** Nagły ruch powrotny może spowodować wyskoczenie piły do tyłu, ale siły odskoku mogą być kontrolowane przez operatora, jeśli zostały podjęte właściwe środki ostrożności.
- b) **Kiedy tarcza się zgina lub podczas przerwania cięcia z dowolnego powodu, należy zwolnić spust i zatrzymać piłę w materiale aż do jej całkowitego zatrzymania. Nigdy nie należy próbować wyciągać piły z obrabianego przedmiotu lub wyciągać piły do tyłu podczas gdy tarcza znajduje się w ruchu lub może wystąpić szybki ruch powrotny.** Z badać i podjąć kroki naprawcze w celu wyeliminowania przyczyny zgięcia tarczy.
- c) **Podczas powtórnego rozpoczynania cięcia w przedmiocie obrabianym należy ustawić tarczę centralnie w szczelinie i sprawdzić, czy zęby piły nie utknęły w materiale.** Jeśli tarcza piły się zgina, może się wysunąć w górę lub nagle wyskoczyć z obrabianego przedmiotu po ponownym rozruchu piły.
- d) **Podpierać duże panele w celu zminimalizowania zagrożenia blokady tarczy oraz szybkiego ruchu powrotnego.** Duże panele mają tendencję do uginania się pod własnym ciężarem. Wsporniki należy umieścić pod panelem po obu stronach, blisko linii cięcia i blisko krawędzi panelu.
- e) **Nie używać tępych lub uszkodzonych tarcz.** Nienaostrzone lub niewłaściwie ustawione tarcze tworzą wąskie przecięcie powodując nadmierne tarcie, zginanie się tarczy oraz szybki ruch powrotny.
- f) **Przed wykonaniem cięcia głębokość tarczy oraz dźwignie blokujące regulacji skosu muszą być dokręcone i zabezpieczone.** Jeśli regulacja tarczy przesunie się podczas cięcia, może spowodować zgięcie lub szybki ruch zwrotny.
- g) **Należy szczególnie uważać podczas wykonywania cięcia w ścianach lub innych osłoniętych miejscach.** Wystająca tarcza może przeciąć przedmioty, które mogą wywołać szybki ruch zwrotny.

# INSTRUKCJE BEZPIECZEŃSTWA DOTYCZĄCE PIŁY TARCZOWEJ Z WEWNĘTRZNĄ OSŁONĄ WAHADŁOWĄ

## DZIAŁANIE OSŁONY DOLNEJ

- a) **Przed każdym użyciem sprawdzić dolną osłonę, czy zamyka się prawidłowo. Nie obsługiwać piły, jeśli dolna osłona nie porusza się swobodnie i nie zamyka natychmiastowo. Nie unieruchamiaj nigdy osłony w otwartym położeniu.** W razie przypadkowego upuszczenia pilarki jej osłona może ulec wygięciu. Sprawdź, aby upewnić się, że osłona porusza się swobodnie i nie dotyka ostrza ani żadnej innej części, przy wszystkich kątach i głębokościach cięcia.
- b) **Sprawdzić działanie sprężyny dolnej osłony. Jeśli osłona i sprężyna nie działają właściwie, przed użyciem należy je serwisować.** Dolna osłona może działać opornie ze względu na uszkodzone części, lepkie osady lub akumulację odpadów.
- c) **Dolna osłona powinna być ręcznie odciągana tylko przy wykonywaniu specjalnych cięć, takich jak „cięcia wgłębne” czy „cięcia złożone”.** Unieść dolną osłonę przy użyciu składanego uchwytu i natychmiast po wejściu tarczy w materiał zwolnić dolną osłonę. Podczas innych zastosowań dolna osłona powinna działać automatycznie.
- d) **Przed umieszczeniem pilarki na podłodze lub na stole, zawsze zwróć uwagę, czy osłona zakrywa ostrze.** Niezabezpieczone lub poruszające się rozpędem ostrze spowoduje ruch pilarki do tyłu, tnąc wszystko na jej drodze. Pamiętaj, że po zwolnieniu wyłącznika upłynie pewien czas, zanim piła zatrzyma się całkowicie.

## DODATKOWE INSTRUKCJA BEZPIECZEŃSTWA DLA URZĄDZENIA Z FUNKCJĄ CIĘCIA EXACTRACK™

- a) **Oslonę dolną można wyciągnąć ręcznie wyłącznie w urządzeniu z funkcją EXACTRACK™.** Podnieść osłonę dolną za pomocą uchwytu do momentu wejścia ostrza w materiał, dolna osłona musi być zwolniona. Osłona dolna w innych urządzeniach powinna działać automatycznie.

- b) **Włacznik funkcji EXACTRACK™, może być uruchomiony wyłącznie tylko wtedy, gdy ostrze wejdzie w materiał.**

## DODATKOWE ZASADY BEZPIECZEŃSTWA DLA PIŁY TARCZOWEJ

1. Używaj wyłącznie pił tarczowych zalecanych przez producenta, które są zgodne z normą EN 847-1, przeznaczonych do drewna i podobnych materiałów.
2. Nie używać żadnych tarcz ściernych.
3. Używaj tylko pił tarczowych o średnicy(ach) zgodnych z oznaczeniami.
4. Wybrać wyłącznie piły tarczowe przeznaczone do cięcia materiałów.
5. Używaj wyłącznie pił tarczowych, których prędkość obrotowa jest równa lub większą niż prędkość zaznaczona na narzędziu.

## INSTRUKCJA BEZPIECZEŃSTWA DOTYCZĄCA MODUŁU AKUMULATORA

- a) **Nie demontuj, nie otwieraj lub nie niszczyć ogniw pomocniczych lub modułu akumulatora.**
- b) **Nie zwieraj ogniwa lub modułu akumulatora. Nie przechowuj ogniw lub modułu akumulatora w sposób bezładny w pudle lub szufladzie, gdzie mogą się wzajemnie zwrzeć lub ulec zwarcia przez inne metalowe przedmioty.** Nie używany akumulator należy trzymać z daleka od spinaczy, monet, kluczy, gwoździ, śrub lub innych małych przedmiotów metalowych, które mogłyby spowodować zmostkowanie kontaktów. Zwarcie pomiędzy kontaktami akumulatora może spowodować oparzenia lub pożar.
- c) **Nie narażaj ogniw lub modułu akumulatora na działanie ciepła lub ognia. Unikaj składowania w miejscach pod bezpośrednim działaniem światła słonecznego.**
- d) **Nie narażaj ogniw lub modułu akumulatora na uderzenia mechaniczne.**
- e) **W razie wycieku z ogniwa, nie dopuść, aby płyn zetknął się ze skórą lub dostał się do oczu. Jeśli już nastąpił kontakt z płynem, przemyj skażoną powierzchnię dużą ilością wody i zwróć się o pomoc medyczną.**
- f) **Nie używaj ogniwa lub modułu akumulatora nie przeznaczonego do pracy z danym urządzeniem.**
- g) **Utrzymuj ogniwa i moduł akumulatora w czystości i w stanie suchym.**

- h) Jeśli zaciski ogniwa lub akumulatora zostały zanieczyszczone, oczyść je czystą i suchą szmatką.
- i) Ogniwa pomocnicze i moduł akumulatora należy przed użyciem naładować. Zawsze używaj właściwej ładowarki i przestrzegaj instrukcji ładowania zawartej w instrukcji obsługi dostarczonej przez producenta urządzenia.
- j) Nie pozostawiaj modułu akumulatora na długie ładowanie, jeśli go nie używasz.
- k) Po dłuższym okresie składowania może być niezbędne kilkukrotne naładowanie i rozładowanie ogniw lub modułu akumulatora, aby uzyskać optymalną wydajność.
- l) Ogniwa pomocnicze oraz moduł akumulatora osiągają największą wydajność podczas pracy w normalnej temperaturze pokojowej (20°C ± 5°C).
- m) Podczas utylizacji akumulatorów należy oddzielić od siebie akumulatory o różnych systemach elektromechanicznych.
- n) Akumulatory należy ładować tylko w ładowarkach, które poleci producent. Dla ładowarki, która nadaje się do ładowania określonych akumulatorów istnieje niebezpieczeństwo pożaru, gdy użyte zostaną inne akumulatory.
- o) Nie używaj ogniwa lub modułu akumulatora nie przeznaczonego do pracy z danym urządzeniem.
- p) Trzymaj ogniwa i moduł akumulatora poza zasięgiem dzieci.
- q) Zachowaj oryginalne instrukcje produktu do wglądu.
- r) Kiedy to możliwe, wyjmuj moduł akumulatora, jeśli urządzenia się nie używa.
- s) Zużyte ogniwa i akumulatory utylizuj zgodnie z zasadami gospodarki odpadami.
- t) Nie używaj w urządzeniu ogniw różnych producentów, pojemności i wymiarów.
- u) Nie wyjmuj baterii z oryginalnego opakowania do momentu zastosowania w urządzeniu.
- v) Kieruj się poprawną biegunowością wyznaczoną za pomocą symboli plus (+) i minus (-) na baterii / akumulatorze.

	Używać ochrony słuchu
	Używać ochrony wzroku
	Używać maski przeciwpyłowej
	Nie wystawiać na działanie deszczu lub wody
	Nie wrzucać do ognia
	Nie wyrzucać akumulatorów, Oddawać zużyte baterie do odpowiednich punktów zbierania lub recyklingu.
	Upewnij się, że akumulatory zostały usunięte przed przystąpieniem do wymiany akcesoriów lub dokonaniem jakichkolwiek zmian urządzenia.
	Stosować rękawice ochronne.
	Drewno
	Tarcza z ostrzami z węglików spiekanych
	Blokada
	Odblokowanie

## SYMBOLE

	Aby zmniejszyć niebezpieczeństwo odniesienia obrażeń, użytkownik powinien przeczytać podręcznik z instrukcjami.
	Ostrzeżenie



Odpady wyrobów elektrycznych nie powinny być wyrzucane razem z odpadami gospodarstwa domowego. Należy korzystać z recyklingu, jeśli istnieje odpowiednia infrastruktura. Porady dotyczące recyklingu można uzyskać u władz lokalnych lub sprzedawcy detalicznego.

## LISTA KOMPONENTÓW

1. PRZYCISK BEZPIECZEŃSTWA
2. WŁĄCZNIK/WYŁĄCZNIK BEZPIECZEŃSTWA
3. PRZEDNI UCHWYT
4. PODZIAŁKA CIĘCIA, 0°
5. PODZIAŁKA CIĘCIA, 45°
6. PŁYTA ŚLIZGOWA
7. BLOKADA SKOSU PŁYTY PODSTAWOWEJ
8. PODZIAŁKA KĄTOWA PŁYTY PODSTAWOWEJ
9. KLUCZ SZEŚCIOKĄTNY
10. POJEMNIK BATERYJNY \*
11. PRZYCISK ZWOLNIENIA AKUMULATORA \*
12. STAŁA OSŁONA
13. WYJŚCIE DLA KURZU
14. DŹWIGNIA OSŁONY DOLNEJ
15. EXACTRACK™ STOPKA
16. TARCZA PIŁY
17. KOŁNIERZ ZEWNĘTRZNY
18. ŚRUBA OSTRZA
19. DOLNA OSŁONA OSTRZA
20. WRZECIONA
21. KOŁNIERZ WEWNĘTRZNY
22. PODZIAŁKA GŁĘBOKOŚCI CIĘCIA (Patrz Rys. E)
23. POKRĘTŁO BLOKADY GŁĘBOKOŚCI CIĘCIA (Patrz Rys. E)
24. POKRĘTŁO PRZEŁĄCZNIKA (Patrz Rys. E)
25. PRZYCISK BLOKADY WRZECIONA (Patrz Rys. K2)

\*Nie wszystkie pokazane na ilustracji akcesoria są dostarczane standardowo.

## DANE TECHNICZNE

Typ **WX530 WX530.1 WX530.9 (5-oznaczenie maszyny, typowe dla piły)**

	WX530	WX530.1	WX530.9
Napięcie znamionowe	20 V $\text{---}$ Max**		
Brak obciążenia (znamionowego) prędkości	4900/min		
Wymiary piły tarczowej	165 mm		
Otwór ostrza	20 mm		
Maks głębokość cięcia			
Głębokość cięcia przy 45°	39 mm		
Głębokość cięcia przy 90°	55 mm		
Cięcie ukośne	0-50°		
Masa urządzenia (bez akumulatora)	2.3 kg		

\*\*Napięcie mierzone bez obciążenia. Początkowe napięcie akumulatora osiąga maksymalną wartość 20V. Napięcie nominalne wynosi 18V.

## DANE DOTYCZĄCE HAŁASU

Ważone ciśnienie akustyczne	$L_{pA} = 82.8 \text{ dB(A)}$
Ważona moc akustyczna	$L_{WA} = 93.8 \text{ dB(A)}$
$K_{pA}$ & $K_{WA}$	3 dB(A)

Używać ochrony słuchu.



## INFORMACJE DOTYCZĄCE DRGAŃ

Łączna wartość drgań (suma wektora triax) określona według normy EN 62841:

Wartość przenoszenia wibracji:	Cięcie drewna: $a_{h,W} = 6.572 \text{ m/s}^2$
	Niepewność $K = 1.5 \text{ m/s}^2$

Deklarowana wartość całkowita drgań oraz deklarowanych wartości emisji hałasu zostały zmierzone zgodnie ze standardową metodą

wykonywania badań i mogą być stosowane do porównywania właściwości różnych urządzeń. Deklarowana wartość całkowita drgań i zadeklarowana wartość emisji hałasu może być zastosowana również do wstępnej oceny zagrożenia.

**⚠ OSTRZEŻENIE:** Wibracje oraz emisja hałasu podczas rzeczywistego użytkowania elektronarzędzia może się różnić od podanej wartości, w zależności od sposobu używania urządzenia, przede wszystkim od typu obrabianego materiału i możliwości korzystania z urządzenia.

Jak używane jest narzędzie oraz, czy materiał jest cięty czy wiercony.

Czy narzędzie jest w dobrym stanie i czy jest prawidłowo konserwowane.

Czy używane są prawidłowe akcesoria narzędzia i czy narzędzie jest właściwie naostrzone oraz w dobrym stanie.

Czy zastosowano elementy poprawiające przyleganie uchwyty oraz elementy do wyeliminowania wszelkich drgań i hałasu urządzenia.

Oraz, czy narzędzie jest używane zgodnie z przeznaczeniem i według instrukcji.

**Niepawidłowe prowadzenie tego narzędzia może spowodować syndrom wibracji rąk.**

**⚠ OSTRZEŻENIE:** W szczególności, oszacowanie poziomu ekspozycji w rzeczywistych warunkach używania powinno brać także pod uwagę wszystkie elementy cyklu działania, takie jak czasy wyłączenia narzędzia i czas bezczynności, ale nie rzeczywiście wykonywaną pracę. Może to znacznie zmniejszyć poziom ekspozycji w całym okresie pracy.

Pomaga zminimalizować ryzyko występowania drgań i podwyższonego poziomu hałasu.

Należy ZAWSZE używać ostrych dłut, wiertel i ostrzy. Narzędzie należy konserwować z godnie z instrukcjami i prawidłowo smarować (w odpowiednich miejscach).

Jeżeli urządzenie będzie stosowane regularnie zaleca się wyposażyć urządzenie w wyposażenie eliminujące wibracje i hałas.

Należy zaplanować harmonogram pracy w celu rozłożenia używania narzędzi wytwarzających wysoki poziom drgań na kilka dni.

## AKCESORIA

	WX530	WX530.1	WX530.9
Tarcza z ostrzami z węglików spiekanych	1	1	1
Adapter pyłowy	1	1	1
Klucz sześciokątny	1	1	1
Akumulator (WA3551.1)	1	/	/
Akumulator (WA3553)	/	1	/
Ładowarki (WA3860)	1	1	/

Zaleca się zakup wszystkich akcesoriów w sklepie, gdzie zakupiono narzędzie. Więcej szczegółów można znaleźć w dodatkowym opakowaniu. Personel sklepu może również udzielić pomocy i porad.

## INSTRUKCJE OBSŁUGI

**⚠ UWAGA:** Przed użyciem narzędzia należy uważnie przeczytać instrukcje.

### UŻYCIĘ ZGODNE Z PRZEZNACZENIEM:

Narzędzie przeznaczone jest do dzielenia i cięcia poprzecznego drewna oraz innych materiałów, według linii prostych znajdujących się na obrabianym materiale.

## MONTAŻ I OBSŁUGA

DZIAŁANIE	ILUSTRACJA
<b>PRZED PRACĄ</b>	
Dopasowanie/wyjęcie baterii	Patrz Rys. A.1
Ładowanie akumulatora	Patrz Rys. A.2
Kontrola stanu naładowania akumulatora (tylko dla WX530.1)	Patrz Rys. A.3
<b>MONTAŻ</b>	
Montaż i Demontaż Tarcza piły <b>Uwaga: Aby zablokować lub odblokować bolec ostrza nacisnąć przycisk blokady wałka obrotowego.</b>	Patrz Rys. B
<b>⚠ OSTRZEŻENIE:</b> Przed wymianą tarcza piły zawsze wyjąć akumulator z urządzenia!	
Klucza Z Łbem Sześciokątnym	Patrz Rys. C
<b>OBSŁUGA</b>	
Przełącznik Bezpieczeństwa <b>⚠ OSTRZEŻENIE:</b> Aby uniknąć obrażeń na skutek kontaktu z tarczą podczas cięcia, nie należy umieszczać dłoni wokół płyty podstawy. <b>UWAGA:</b> Podczas używania narzędzia podłącz adapter kurzu do pojemnika na kurz.	Patrz Rys. D
Regulacja głębokości cięcia	Patrz Rys. E
Prowadnica cięcia	Patrz Rys. F
Cięcie ukośne <b>UWAGA: Cięcie ukośne nie jest możliwe z trybie EXACTRACK™.</b>	Patrz Rys. G
Odpylanie pilarki	Patrz Rys. H

## EXACTRACK™

### Czym jest funkcja EXACTRACK™?

EXACTRACK™ to innowacyjna funkcja, która ułatwia cięcie prostolinijne, utrzymując ostrza na płycie prowadzącej.

### Wskazówki bezpieczeństwa

**OSTRZEŻENIE:** Zęby ostrza tnącego są bardzo ostre. Stosować rękawice ochronne.

Po otwarciu osłony dolnej tarczy należy wystrzegać się kontaktu z nią.

### Zakres roboczy funkcji EXACTRACK™

1. Głębokość zakresu roboczego urządzenia EXACTRACK™ wynosi od 0 mm do 43mm. (Patrz Rys. I)
2. Urządzenie z włączoną funkcją EXACTRACK™ nadaje się wyłącznie do cięcia po kątem 90°, urządzenie z włączoną funkcją EXACTRACK™ nie jest w stanie wykonać cięcia krzywoliniowego lub pod kątem.

### Przed pracą

**OSTRZEŻENIE:** Przed przystąpieniem do jakiegokolwiek regulacji, konserwacji należy wyjąć akumulator, i położyć akumulator w pobliżu piły.

1. Nastawić żądaną głębokość cięcia (zakres od 0 do 43mm). (Patrz Rys. I)
2. Przekręć dźwignię do trybu EXACTRACK™. (Patrz Rys. J)
3. Zaznaczyć żądaną linię cięcia na obrabianym przedmiocie, a następnie zaciśnij płytkę przewodnicy tnącej (nie należy do wyposażenia), aby krawędź płyty znalazła się bezpośrednio na linii cięcia, długość przewodnicy tnącej powinna wynosić 230 mm na obu końcach. (Patrz Rys. K1)
4. Umieścić płytkę podstawy EXACTRACK™ (czerwona część) na górze płyty prowadzącej (nie jest w zestawie) i upewnić się, że płyta podstawy głównej przylega do obrabianego przedmiotu. (Patrz Rys. K2)
5. Ręcznie otworzyć osłonę ostrza dolnego (  ), wystrzegać się kontaktu z ostrzem), przesunąć piłę z strony przeciwnej do podstawy przewodnicy tnącej, a następnie zwolnić dłoń z dolnej osłony tarczy. (Patrz Rys. K3)

### Obsługa

1. Instalowanie akumulatora.
2. Mocno trzymać piłę dwoma rękami i upewnić się, że główna płyta podstawy jest prawidłowo zamocowana na płycie przewodnicy tnącej (nie jest w wyposażeniu urządzenia) podczas cięcia (Patrz Rys. K4)
3. Włączyć piłę i rozpocząć cięcie (Patrz Rys. K5)

### Tryb STANDARD

Do normalnego cięcia 90° lub pod kątem (należy włączyć funkcję EXACTRACK™), przekręć dźwignię do trybu STANDARD, poczym urządzenie można używać jako standardowej piły tarczowej. (Patrz Rys. L)

Zakres roboczy w trybie STANDARD wynosi głębokość od 0 mm do 55 mm (90 stopni), od 0 do 39 mm (45 stopni).

**W celu uzyskania informacji o produkcie,**

prosimy wejść na stronę [www.worx.com](http://www.worx.com) i odtworzyć film wideo How To.



## WSKAZÓWKI DOTYCZĄCE PRACY Z NARZĘDZIE

Jeśli urządzenie mechaniczne nagrzeje się za bardzo, pozwól na 2-3 minutową pracę piły tarczowej bez obciążenia, aby schłodzić silnik. Unikać przedłużonego użycia przy bardzo niskich prędkościach.

Tarcze tnące należy zabezpieczyć przed uderzeniem i drganiem. Nie oddziaływać na urządzenia dużą siłą. Aby uniknąć przegrzania ostrzy tarczy należy zmieniać siłę nacisku na urządzenie. Nadmierne naciskanie znacznie zmniejsza wydajność urządzenia i zmniejsza żywotność tarczy tnącej. Wydajność i jakość cięcia zależą w dużym stopniu od stanu zębów tnących tarczy. Dlatego też, należy używać wyłącznie naostrzonych tarcz tnących, odpowiednich do ciętego materiału.

Dobór pił tarczowych: piły o 24 ostrzach do typowych zastosowań, o ok. 40 ostrzach do cięcia liniowego, o ponad 40 ostrzach do precyzyjnych cięć w delikatnych materiałach, diamentowe do płytek ceramicznych, płytek cementowych itp.

Używaj tylko zalecanych tarcz pilarskich.

## KONSERWACJA

**Przed przystąpieniem do jakiegokolwiek regulacji, serwisowania lub konserwacji należy wyjąć akumulator.**

Narzędzia powinny być ostre i czyste dla lepszej sprawności urządzenia i większego bezpieczeństwa. Należy postępować zgodnie z instrukcjami dotyczącymi smarowania i wymiany akcesoriów. Narzędzie to nie wymaga żadnego dodatkowego smarowania czy konserwacji. W narzędziu nie ma żadnych części, które wymagałyby serwisowania przez użytkownika. Nigdy nie należy używać wody czy środków czyszczących do czyszczenia narzędzia z napędem. Czyścić suchą szmatką. Zawsze należy przechowywać narzędzie w suchym miejscu. Utrzymywać w czystości otwory wentylacyjne silnika. Utrzymywać wszystkie urządzenia sterujące w czystości. Okresowo oczyścić osłonę z pyłu i wiórów, aby zapewnić jej prawidłowe działanie.

### ZALECENIA DLA NARZĘDZI AKUMULATOROWYCH

Zakres temperatury otoczenia do pracy urządzenia i akumulatora, oraz ich przechowywania wynosi od 0°C do 45°C.

Zalecany zakres temperatury otoczenia dla systemu

ładowania, podczas jego ładowania, wynosi od 0°C do 40°C.

## OCHRONA ŚRODOWISKA



Odpady wyrobów elektrycznych nie powinny być wyrzucane razem z odpadami gospodarstwa domowego. Należy korzystać z recyklingu, jeśli istnieje odpowiednia infrastruktura. Porady dotyczące recyklingu można uzyskać u władz lokalnych lub sprzedawcy detalicznego.

## ROZWIĄZYWANIE PROBLEMÓW

Objawy	Możliwa przyczyna	Możliwe rozwiązanie
Po naciśnięciu włącznika/wyłącznika piłarka nie uruchamia się.	Akumulator nie został poprawnie podłączony. Wyładowany akumulator.	Upewnić się, czy akumulator jest poprawnie umieszczony i podłączony do urządzenia. Naładować akumulator.
Głębokość cięcia jest mniejsza niż ustawiona.	Nagromadzenie pyłu w tylnej części podstawy.	Strzepnij pył. Rozważ podłączenie odpylania i odkurzacza.
Piła tarczowa wiruje lub się ślizga.	Piła tarczowa nie jest dobrze zamocowana na wrzecionie.	Wymontuj piłę tarczową i załóż ponownie w sposób opisany w punkcie <b>ZAKŁADANIE / WYMIANA PIŁY TARCZOWEJ</b> .
Piła nie tnije wzdłuż linii prostej.	Piła jest stępiona. Piła nie została prawidłowo założona. Piłarka nie jest prawidłowo prowadzona.	Założ nową piłę o ostrych ostrzach. Sprawdź, czy piła jest prawidłowo założona. Użyj prowadnicy równoległej.
Piła odbija na początku cięcia.	Zbyt mała prędkość piły.	Zanim rozpoczniesz cięcie, poczekaj, aż piłarka osiągnie pełną prędkość.

## DEKLARACJA ZGODNOŚCI

My,  
POSITEC Germany GmbH  
Grüner Weg 10, 50825 Cologne, Germany

Deklarujemy, że produkt,  
Opis **Piłarka tarczowa zasilana akumulatorem**  
Typ **WX530 WX530.1 WX530.9 (5- oznaczenie maszyny, typowe dla piły)**  
Funkcja **Cięcie różnych materiałów obracającą się tarczą z zębami tnącymi**

Jest zgodny z następującymi dyrektywami:  
**2006/42/EC, 2014/30/EU, 2011/65/EU&(EU)2015/863**

Normy są zgodne z  
**EN 62841-1, EN 62841-2-5, EN 55014-1, EN 55014-2**

Osoba upoważniona do kompilacji pliku technicznego,  
**Nazwa Marcel Filz**  
**Adres Positec Germany GmbH Grüner Weg 10, 50825 Cologne, Germany**



2019/5/28  
Allen Ding  
Zastępca głównego inżyniera, testowanie i certyfikacja  
Positec Technology (China) Co., Ltd  
18, Dongwang Road, Suzhou Industrial Park,  
Jiangsu 215123, P.R. China

# TERMÉKBIZTONSÁG ELEKTROMOS KÉZISZERSZÁMOK BIZTONSÁGOS HASZNÁLATÁVAL KAPCSOLATOS ÁLTALÁNOS FIGYELMEZTETÉSEK

**!** FIGYELEM: Olvassa el az összes, ehhez az elektromos kéziszerszámhoz mellékelt biztonsági figyelmeztetést, utasítást és részletes ismertetést, illetve tekintse meg az ábrákat. En alább felsorolt utasítások bármelyikének figyelmen kívül hagyása áramütést, tüzet és/vagy súlyos testi sérüléseket eredményezhet.

Örizzen meg az összes figyelmeztetést és utasítást, a jövőben szüksége lehet ezekre. A figyelmeztetéseken használatos "elektromos kéziszerszám" kifejezés az ön hálózatról üzemeltetett (vezetékes) elektromos kéziszerszámára vagy akkumulátoros (vezeték nélküli) elektromos kéziszerszámára vonatkozik.

## 1) A MUNKATERÜLET BIZTONSÁGA

- a) **A munkaterületet tartsa tisztán és jól megvilágítva.** A zsúfolt vagy sötét munkaterület balesethez vezethet.
- b) **Ne üzemeltessen elektromos kéziszerszámot robbanékony légkörben, például gyúlékony folyadékok, gázok vagy por jelenléte mellett.** Az elektromos kéziszerszámok használata során szikrák keletkeznek, amelyek hatására a por vagy gáz kigyulladhat.
- c) **Elektromos kéziszerszámok működtetése közben tartsa távol a gyermekeket és bámeszkodókat.** A figyelem elterelése kontrollvesztést eredményezhet.

## 2) ELEKTROMOS BIZTONSÁG

- a) **Az elektromos kéziszerszámok csatlakozó dugaszának találnia kell a csatlakozó aljzathoz. Soha, semmilyen módon ne módosítsa a csatlakozó dugaszt. Földelt elektromos kéziszerszámokkal ne használjon adaptert.** Ha eredeti, módosítatlan csatlakozó dugaszt és megfelelő csatlakozó aljzatot használ, azal csökkenti az áramütés kockázatát.
- b) **Ne érintse meg a földelt felületeket, például csöveket, radiátorokat, tűzhelyeket vagy hűtőszekrényeket.** Ha a test földelt, nagyobb az áramütés kockázata.
- c) **Ne tegye ki esőnek vagy nedves körülményeknek az elektromos kéziszerszámokat.** Ha egy elektromos kéziszerszámba víz kerül, megnő az áramütés kockázata.

- d) **Vigyázzon a szerszám kábelére. Soha ne hordozza, húzogassa vagy húzza ki az áramból az elektromos kéziszerszámot a kábelnél fogva. A kábelt tartsa távol a hőtől, olajtól, éles peremektől vagy mozgó részekről.** A sérült vagy összegubancolódott kábel növeli az áramütés kockázatát.
  - e) **Ha az elektromos kéziszerszámot szabadterben üzemelteti, használjon külső használatra alkalmas hosszabbítót.** A külső használatra alkalmas kábel használatával csökken az áramütés kockázata.
  - f) **Ha elkerülhetetlen, hogy az elektromos kéziszerszámot nedves helyen működtesse, használjon maradékáram-működtetési megszakító (RCD) védelemmel rendelkező áramforrást.** A maradékáram-működtetési megszakító használata csökkenti az áramütés kockázatát.
- ## 3) SZEMÉLYI BIZTONSÁG
- a) **Az elektromos kéziszerszám működtetése közben maradjon éber, figyeljen arra, amit csinál, és használja a józan eszt. Ne működtesse az elektromos kéziszerszámot, ha fáradt, illetve gyógyszerek, alkohol vagy drogok hatása alatt áll.** Egy pillanatnyi figyelmetlenség az elektromos kéziszerszámok működtetése közben súlyos sérülésekhez vezethet.
    - b) **Használjon személyi védőfelszereléseket. Mindig használjon szemvédelmet.** A személyi védőfelszerelés, például pormaszok, csúszásmentes biztonsági lábbeli, védősisak vagy szükség esetén hallásvédelem használatával csökkenthető a személyi sérülések kockázata.
    - c) **Kerülje el, hogy a szerszám véletlenül működésbe lépjen. Mielőtt az elektromos kéziszerszámot áramhoz csatlakoztatná, behelyezné az akkumulátort, felvenné vagy vinné a szerszámot ellenőrizze, hogy a kapcsoló "ki" helyzetbe legyen állítva.** Ha a szerszám hordozásakor ujját a kapcsolón tartja, vagy áram alá helyezi a bekapcsolt készüléket, az balesetekhez vezethet.
    - d) **Mielőtt az elektromos kéziszerszámot bekapcsolná, távolítsa el róla minden állítókulcsot.** Ha az elektromos kéziszerszám forgórészein állítókulcs marad, az személyi sérüléshez vezethet.
    - e) **Ne próbáljon túl messzire nyúlni. Mindig vigyázzon, hogy stabilan álljon, és őrizz meg egyensúlyát.** Ez segít, hogy váratlan helyzetekben urálja az elektromos kéziszerszámot.
    - f) **Viseljen megfelelő öltözetet. Ne viseljen bő ruházatot vagy hosszú ékszert. Háját, ruházatát és kesztyűjét tartsa a mozgó alkatrészekről távol.** A bő ruházatot, hosszú ékszert vagy hosszú hajat bekaphatják a mozgó elemek.
    - g) **Ha a szerszámhoz porszívó vagy -gyűjtő is csatlakoztatható, gondoskodjon ezek megfelelő csatlakoztatásáról és**

**használatáról.** A porgyűjtő használatával csökkenthetőek a porral kapcsolatos kockázatok.

- h) Ne hagyja, hogy a szerszám gyakori használata túl elbizakodottá tegye, és hogy ezáltal figyelmen kívül hagyja a szerszám biztonsági követelményeit.** A másodperc töredéke is elég ahhoz, hogy egy figyelmetlen mozdulat súlyos sérüléshez vezessen.
- 4) AZ ELEKTROMOS KÉZISZERSZÁM HASZNÁLATA ÉS KARBANTARTÁSA**
- a) Ne erőltesse az elektromos kéziszerszámot. Mindig megfelelő elektromos kéziszerszámot használjon.** Ha a megfelelő elektromos kéziszerszámot használja, azzal a rendeltetési területén jobban és biztonságosabban elvégezhető a munka.
- b) Ne használja az elektromos kéziszerszámot, ha azt nem lehet kikapcsolni.** Ha egy elektromos kéziszerszám nem szabályozható a kapcsolóval, az veszélyes, és javításra szorul.
- c) Mielőtt a szerszámot beállítaná, tartozékokat cserélné, illetve tároláskor húzza ki a dugót az áramforrásból, és/vagy vegye ki az akkumulátort az elektromos kéziszerszámból.** Ezekkel a megelőző biztonsági intézkedésekkel csökken annak a kockázata, hogy a kéziszerszám véletlenül bekapcsoljon.
- d) Az elektromos kéziszerszámokat használaton kívül tartsa a gyermekektől távol, és ne hagyja, hogy a szerszámot vagy ezeket az utasításokat nem ismerő személyek működtessék azt.** A tapasztalatlan felhasználók kezében az elektromos kéziszerszámok veszélyessé válnak.
- e) Tartsa karban az elektromos kéziszerszámokat. Ellenőrizze, hogy a mozgó elemek megfelelően helyezkednek-e el és nem szorultak-e be, az alkatrészek épek, és semmilyen más hiba nincs kihatással az elektromos kéziszerszám működésére.** Ha sérülést talál, használat előtt javíttassa meg a szerszámot. A nem megfelelően karbantartott elektromos kéziszerszámok sok balesetet okoznak.
- f) A vágószerszámokat tartsa tisztán, és figyeljen, hogy élesek maradjanak.** A megfelelően karbantartott, éles vágószerszámok ritkábban akadnak meg, és egyszerűbben irányíthatóak.
- g) Az elektromos kéziszerszámot, a kiegészítőket és fejeket használja a fenti utasításoknak megfelelően, figyelembe véve a munkakörülményeket és az elvégzendő munkát.** Ha az elektromos kéziszerszámot nem rendeltetésszerűen használja, az veszélyhelyzetet teremthet.
- h) Órizza szárazon, tisztán, olaj- és zsírinteszen a szerszám fogantyúit és megragadási részeit.** A csúszós fogantyúk és megragadási részek főleg váratlan helyzetekben

akadályozzák a szerszám biztonságos megfogását, kezelését és irányítását.

- 5) AZ AKKUMULÁTOROS KÉZISZERSZÁM HASZNÁLATA ÉS KARBANTARTÁSA**
- a) Csak a gyártó által javasolt töltővel tölts fel.** Ha egy adott akkumulátorhoz megfelelő töltőt másik akkumulátorral használ, az tűzveszélyes lehet.
- b) Az elektromos kéziszerszámokat csak a kijelölt akkumulátorokkal használja.** Ha más akkumulátorokat használ, az sérülés- és tűzveszélyes.
- c) Az akkumulátorokat használaton kívül tartsa a fém tárgyaktól, például gémkapcsoktól, pénzérméktől, kulcsoktól, szögektől, csavaroktól vagy más kis fém tárgyaktól távol, mert ezek összekapcsolhatják a pólusokat. Az akkumulátor pólusainak rövidzárlata égés- és tűzveszélyes.**
- d) Nem megfelelő körülmények között az akkumulátorból folyadék szivároghat; kerülje az érintkezést ezzel a folyadékkal. Véletlen érintkezés esetén mossa le vízzel.** Ha a folyadék szembe kerül, mossa ki vízzel, és forduljon orvoshoz. Az akkumulátorból szivárgó folyadék irritációt vagy égési sérülést okozhat.
- e) Ne használjon károsodott vagy módosított akkucsomagot vagy szerszámot.** A károsodott vagy módosított akkucsomagok használata előreláthatatlan következményekkel jár, mert ezek felgyulladhatnak, felrobbanhatnak vagy személyi sérüléseket okozhatnak.
- f) Óvja az akkucsomagot és a szerszámot a tűztől vagy a magas hőmérsékletektől.** A 130°C-t meghaladó hőmérséklet vagy tűz robbanást okozhat.
- g) Tartsa be az összes újratöltési utasítást és az akkucsomagot vagy a szerszámot csak az utasításokban megadott hőmérsékleti tartományban töltsé újra.** Az előírásoktól vagy a megengedett hőmérsékleti tartománytól eltérő töltési folyamat az akkucsomag károsodását okozhatja, és növeli a tűzveszély kockázatát.
- 6) SZERVIZ**
- a) Az elektromos kéziszerszámot csak képzett szerelő javíthatja megfelelő cserealkatrészekkel.** Ez biztosítja az elektromos kéziszerszám biztonságos működését.
- b) Soha ne szervizelje a károsodott akkucsomagokat.** A károsodott akkucsomagok szervizelését csak a gyártó vagy az erre felhatalmazott szervizközpontok hajthatják végre.

# BIZTONSÁGI FIGYELMEZTETÉSEK AZ ÖSSZES FŰRÉSZRE VONATKOZÓAN

## FŰRÉSZELÉSI ELJÁRÁS

- a)  **VIGYÁZAT: Kezét tartsa távol a vágófelülettől és a fűrész tárcsától. A másik kezét tartsa a kiegészítő karon vagy a motorházon.** Ha két kézzel tartja a fűrész, nem vághatja el kezét a fűrész tárcsával.
- b) **Ne nyúljon a munkadarab alá.** A munkadarab alatt a védőburkolat nem véd a fűrész tárcsától.
- c) **A vágásmélységet a munkadarab vastagságának figyelembe vételével állítsa be.** A fűrész tárcsa fogazatának látható része a munkadarab alatt kisebb kell legyen, mint egy fog magassága.
- d) **A munkadarabot soha ne tartsa a kezében vagy a lábán. Erősítse a munkadarabot merev alaphoz.** Fontos a megfelelő alátámasztás az egyes testrészek érintkezésének veszélye, a fűrész tárcsa beragadása vagy a kontroll elvesztése esélyének csökkentése érdekében.
- e) **Az elektromos kéziszerszámot csak a szigetelt fogófelületeknél fogja meg, ha fennáll a veszélye, hogy a vágásra használt tartozék a rejtett vezetékeket vagy a saját hálózati vezetékeit is átvághatja.** Ha a vágótárcsa feszültség alatt álló vezetékekhez ér, az elektromos kéziszerszám szabadon álló fémrészei szintén feszültség alá kerülhetnek és áramütést okozhatnak.
- f) **A hosszanti vágásnál mindig használjon vezetómércét vagy egyenes vonalú szélvezetőt.** Ezáltal jobb lesz a vágás pontossága, és csökken a fűrész tárcsa beragadásának veszélye.
- g) **Használjon mindig megfelelő nagyságú és alakú befogó nyílású fűrész tárcsát (rombusz vagy kör).** Azok a fűrész tárcsák, amelyek pontosan nem felelnek meg a fűrész befogó részeinek, lökhetnek, vagy a szerszám feletti kontroll elvesztéséhez vezethetnek.
- h) **Soha ne használjon megrongálódott vagy helytelen alátéteket vagy fűrész tárcsa befogó anyacsavart.** A fűrész tárcsához tartozó alátéteket és anyacsavarokat speciálisan a fűrészhez tervezték, az optimális teljesítmény és a munka biztonsága érdekében.

## TOVÁBBI BIZTONSÁGI ELŐÍRÁSOK AZ ÖSSZES FŰRÉSZRE VONATKOZÓAN

## A VISSZARÚGÁS OKAI ÉS KAPCSOLÓDÓ

### FIGYELMEZTETÉSEK

- A visszarúgás a beszorult, beblokkolt vagy nem kiegyensúlyozott fűrész tárcsa hirtelen reakciója, mely a fűrész kontroll nélküli mozgását jelentheti, illetve a munkadarabból való kiesését a felhasználó felé.
  - Ha a fűrész tárcsa be van szorulva, vagy teljesen be van blokkolva a vágásban, megáll a motor reakció ereje, és ez gyors visszalökést jelenthet a felhasználó felé.
  - Ha a fűrész tárcsa el van fordítva, vagy nincs kiegyensúlyozva a vágásban, a fogak a fűrész tárcsa hátsó részén felülről beleütközhetnek a fa felületébe, így a fűrész tárcsa kiugrik a vágásból, a fűrész pedig kiesik a munkadarabból a felhasználó felé.
  - A visszarúgás a fűrész helytelen használatának és/vagy annak az oka, hogy nincsenek betartva a használati utasítások, amelyek megelőzhetőek az alábbi óvintézkedések figyelembevételével.
- a) **A fűrészztartsát fogja erősen, karját pedig tartsa olyan helyzetben, hogy ellenállhasson a visszarúgás erejének. Tartsa a fűrész tárcsa egyik vagy másik oldalán legyen, de ne egy vonalban a fűrész tárcsával.** A visszarúgás következtében a fűrész visszaugorhat, azonban a visszarúgás erejét a felhasználó irányítani tudja, ha betartja a megfelelő biztonsági utasításokat.
- b) **Ha a fűrész tárcsa beszorult, vagy bármilyen okból meg kell szakítani a vágást, engedje fel a kapcsolót, és tartsa a fűrészzt a munkadarabban, amíg a fűrész teljesen meg nem áll. Soha ne próbálja meg kiemelni vagy visszahúzni a fűrészzt a vágásból, ha a fűrész tárcsa mozgásban van, mivel ez visszarúgáshoz vezethet.** Tanulmányozza és tegye meg a szükséges javító intézkedéseket, hogy ki tudja iktatni a fűrész tárcsa beszorulásának okát.
- c) **Ha a körfűrészzt az anyagba merített fűrész tárcsával indítja újra, központossítsa a tárcsát a vágási árokban, és győződjön meg róla, hogy a fogak nem ütköznek az anyagba.** Ha a fűrész tárcsa fordulata korlátozva van, az újraindításkor a fűrész kijöhet a munkadarabból, vagy visszarúghat.
- d) **Ha nagy lapokat vág, jól támassza ezeket alá, hogy meggátolja a fűrész tárcsa beszorulását és a visszarúgást.** Saját súlyukból kifolyólag, a nagy lapok hajlamosak az elhajlásra. Úgy a vágás közelében, mint a lap széle közelében, a lap alá mindkét oldalról egy-egy alátétet kell helyezni.
- e) **Ne használjon tompa vagy megrongált körfűrész tárcsákat.** Az életlen vagy helytelen beállítású fűrész tárcsák keskeny vágási árkot képeznek, és ezáltal nagy sűrűlődséget okoznak, amely korlátozza a fűrész tárcsa forgását, és visszarúgáshoz vezethet.

- f) **Mielőtt vágni kezd, szorítsa meg és rögzítse a fűrészlánc tárcsá vágmélység- és szögbeállító lezáró karjait.** Ha vágás közben változik a fűrészlánc beállításának helyzete, ez a fűrészlánc beszorulásához és visszarúgáshoz vezethet.
- g) **Legyen különösen óvatos, amikor falba vagy olyan helyre meríti a körfűrész, ahová nem lát be.** A fűrészlánc, amely átjut a munkadarab másik oldalára, akadályba ütközhet, és ez visszarúgást eredményezhet.

## BELSŐ LENGŐVÉDŐVEL FELSZERELT KÖRFŰRÉSZEKRE VONATKOZÓ BIZTONSÁGI UTASÍTÁSOK

### ALSÓ VÉDŐFUNKCIÓ

- a) **Minden használat előtt ellenőrizze, hogy az alsó védőburkolat rendszeren zárjon. Ne dolgozzon a fűrészrel, ha az alsó védőburkolat nem mozog szabadon, és nem zár azonnal. Soha ne biztosítsa be a védőburkolatot nyitott helyzetben szorítóval vagy kikötéssel.** Ha a fűrész véletlenül a földre esik, a védőburkolat elhajolhat. Ellenőrizze, hogy a védőburkolat szabadon mozog-e bármilyen szögű kinyitásnál, vagy a beállított vágás mélység nem érinti-e a körfűrész tárcsáját, és a körfűrész valamelyik részét.
- b) **Ellenőrizze a védőburkolat rugójának működését. Ha a védőburkolat és a rugó működése nem megfelelő, használat előtt ezt meg kell javíttatni.** Az alsó védőburkolat lassan reagálhat valamely részének megrongálódása, ragacsos lerakódások vagy szennyzódések miatt.
- c) **Az alsó védőburkolatot csak speciális vágások, például "bemerítő vágás" vagy "kombinált vágás" esetén szabad kézzel visszahúzni. A kart visszahúzva emelje fel az alsó védőburkolatot, majd amikor a körfűrész tárcsája behatol az anyagba, engedje le az alsó védőburkolatot.** Az alsó védőburkolat működésének minden más vágás esetében automatikusan kell lennie.
- d) **Mielőtt a körfűrész a munkaasztalra vagy az aljzatra engedi, ellenőrizze, hogy a védőburkolat teljesen fedi-e a körfűrész tárcsáját.** A nem védett kifutó fűrészlánc a fűrész visszairányuló mozgását eredményezheti, és vág mindent, ami az útjában van. Legyen tudtában annak, hogy mennyi ideig tart a körfűrész tárcsájának leállása a kapcsoló kikapcsolásától számítva.

## KIEGÉSZÍTŐ BIZTONSÁGI ÓVINTÉZKEDÉSEK EXACTRACK™ VÁGÁSOK ESETÉN

- a) **Az alsó védőburkolatot csak EXACTRACK™ vágások esetén lehet visszahúzni. A kar visszahúzásával emelje fel az alsó védőburkolatot, és amikor a körfűrész tárcsája behatol az anyagba, engedje az alsó védőt.** Az összes többi vágás esetében az alsó védőburkolatot automatikusan kell működtetni.
- b) **A EXACTRACK™ vágás esetén a bekapcsoló gombot csak akkor kell aktiválni, amikor a körfűrész tárcsája behatol az anyagba.**

## TOVÁBBI BIZTONSÁGI SZABÁLYOK A KÖRFŰRÉSZEL KAPCSOLATBAN

1. Csak az EN 847-1 szabványnak megfelelő és a gyártó által ajánlott, fához vagy hasonló anyagok elfűrészeléséhez való körfűrész tárcsákat használjon.
2. Ne használjon köszőrűköveket.
3. Ne használjon semmilyen csiszolókorongot.
4. Csak a jelöléseknek megfelelő fűrészláncsátmérő(ke)t használjon.
5. Csak a gépen feltüntetett fordulatszámmal egyenlő vagy annál nagyobb fordulatszámmal működtethető körfűrész tárcsákat használjon.

## AZ AKKUMULÁTORRAL KAPCSOLATOS BIZTONSÁGI FIGYELMEZTETÉSEK

- a) **Az akkumulátort ne szedje szét, ne nyissa fel és ne vágja meg.**
- b) **Ne zárja rövide az akkumulátort. Az akkumulátorokat ne tárolja olyan dobozban vagy fiókban, ahol rövide zárhatják egymást, vagy valamilyen vezető anyag a rövidzárlatukat okozhatja.** Az akkumulátorokat használaton kívül tartsa a fémtárgyaktól, például gémkapcsoktól, pénzérméktől, kulcsoktól, szögektől, csavaroktól vagy más kis fémtárgyaktól távol, mert ezek összekapcsolhatják a pólusokat. Az akkumulátor pólusainak rövidzárlata égés- és tűzveszélyes.
- c) **Ne tegye ki hőnek vagy tűznek az**

akkumulátort. Ne tárolja közvetlen napfényben.

- d) Az akkumulátort ne tegye ki ütésnek.  
 e) Ha az akkumulátor szivárog, vigyázzon, hogy a folyadék ne kerüljön a bőrre vagy szembe. Amennyiben a bőrre vagy szembe kerül, az érintett területet mossa le bő vízzel, és forduljon orvoshoz.  
 f) Az akkumulátor vagy egy cella lenyelése esetén azonnal forduljon orvoshoz.  
 g) Vigyázzon, hogy az akkumulátor tiszta és száraz maradjon.  
 h) Ha az akkumulátor pólusaira szennyeződés kerül, azt egy tiszta, száraz ruhával törölje le.  
 i) Az akkumulátort használat előtt fel kell tölteni. A töltést mindig az utasításoknak megfelelően, helyes eljárást használva végezze.  
 j) Használaton kívül ne hagyja töltőn az akkumulátort.  
 k) Hosszan tartó tárolást követően a maximális teljesítmény elérése érdekében szükséges lehet, hogy az akkumulátort többször feltöltse és lemerítse.  
 l) Az akkumulátor szobahőmérsékleten (20°C ± 5°C) használva nyújtja a legjobb teljesítményt.  
 m) Az akkumulátorok ártalmatlanításakor a különböző elektrokémiai rendszereket különítse el egymástól.  
 n) Csak a WORX által javasolt töltővel töltsse fel. Kizárólag a készülékhez való használatra mellékelt töltőt használja. Ha egy adott akkumulátorhoz megfelelő töltőt másik akkumulátorral használ, az tűzveszélyes lehet.  
 o) Ne használjon a kiegészítővel való használatra tervezettől eltérő akkumulátort.  
 p) Az akkumulátor gyermekektől távol tartandó.  
 q) Őrizze meg a termékhez mellékelt utasításokat, a későbbiekben szüksége lehet ezekre.  
 r) Amikor a szerszámot nem használja, vegye ki belőle az akkumulátort.  
 s) Ártalmatlanításnál megfelelően járjon el.  
 t) Ne helyezzen be különböző gyártóktól származó, illetve eltérő kapacitású, méretű vagy típusú akkukat a készülékbe.  
 u) Az akkucsomag csomagolását csak közvetlenül a használat előtt távolítsa el.  
 v) Figyeljen az akkun látható (+) és mínusz (-) polaritású jelzésekre az akku előírt használatára érdekében.

## SZIMBÓLUMOK



A sérülésveszély csökkentése érdekében a felhasználónak el kell olvasnia az utasításokat

	Figyelmeztetés
	Viseljen hallásvédőt
	Viseljen szemvédőt
	Viseljen pormaszkot
	Ne tegye ki esőnek vagy víznek
	Ne dobja tűzbe
	Az akkukat ne dobja ki, a lemerült akkukat vigye a helyi gyűjtő- vagy újrahasznosító központokba.
	Ügyeljen arra, hogy az akkumulátor mindig ki legyen emelve, ha tartozékokat cserél vagy beállításokat végez a gépen.
	Viseljen védőkesztyűt.
	Fa
	Karbidfogazatú fűrészlárcsa
	Zár
	Nyit



A leselejtezett elektromos készülékek nem dobhatók ki a háztartási hulladékkal. Ha van a közelben elektromos hulladék gyűjtő udvar, vigye oda a készüléket. Az újrahasznosítási lehetőségekről tájékozódjon a helyi hatóságoknál vagy a kereskedőnél.

## AZ ALKATRÉSZEK LISTÁJA

1. BIZTONSÁGI GOMB
2. KI-/BEKAPCSOLÓ GOMB
3. ELÜLSŐ MARKOLAT
4. VÁGÁSJELZÉS, 0°
5. VÁGÁSJELZÉS, 45°
6. FŐ TALP
7. TALPLAP SZÖGBEÁLLÍTÓZÁRJA
8. TALPLAP SZÖGBEÁLLÍTÓJA
9. VILLÁSKULCS
10. AKKU\*
11. AKKUMULÁTOR KIOLDÓGOMB\*
12. RÖGZÍTETT VÉDŐBURKOLAT
13. PORKIVEZETŐ
14. ALSÓ VÉDŐBURKOLATOT MOZGATÓ KAR
15. EXACTRACK™ KIEGÉSZÍTŐ TALP
16. FÜRÉSztÁRCSA
17. KÜLSŐ KARIMA
18. A FÜRÉSztÁRCSA RÖGZÍTŐ CSAVARJA
19. A TÁRCSA ALSÓ VÉDŐBURKOLATA
20. TENGELY
21. BELSŐ KARIMA
22. VÁGÁSMÉLYSÉG-SKÁLA (Lásd a E Ábrát)
23. VÁGÁSMÉLYSÉGET BEÁLLÍTÓ RETESZ (Lásd a E Ábrát)
24. KAPCSOLÓKAR (Lásd a E Ábrát)
25. TENGELYRÖGZÍTŐ GOMB (Lásd a K2 Ábrát)

\*Nem minden készülék tartalmazza valamennyi, a fentiekben felsorolt alkatrészt.

## MŰSZAKI ADATOK

Típus **WX530 WX530.1 WX530.9 (5 - a készülék megjelölése, és körfűrész jelöl)**

	WX530	WX530.1	WX530.9
--	-------	---------	---------

Tápfeszültség	20 V  Max**
Terhelés nélküli (névleges) sebesség	4900 ford./perc
Fűrészárcsa mérete	165 mm
Fűrészárcsa lyukmérete	20 mm
Vágókapacitás	
Vágásmélység 45°-on	39 mm
Vágásmélység 90°-on	55 mm
Ferdevágás-kapacitás	0-50°
Az akkus kigép súlya (akkucsomag nélkül)	2.3 kg

\*\*Terhelés nélküli feszültség. Az akkumulátor kezdő feszültsége maximum 20 volt. A névleges feszültség 18 volt.

## ZAJÉRTÉKEK

A-súlyozású hangnyomásszint	$L_{pA} = 82.8 \text{ dB(A)}$
A-súlyozású hangerő	$L_{WA} = 93.8 \text{ dB(A)}$
$K_{pA} \& K_{WA}$	3 dB(A)

Viseljen hallásvédőt.



## REZGÉSÉRTÉKEK

Az EN 62841 szabvány szerint meghatározott összes rezgés (háromtengelyű vektoriális összeg) a következő:

Rezgéskibocsátás:	Fa vágás: $a_{h,W} = 6.572 \text{ m/s}^2$
	Bizonytalanság $K = 1.5 \text{ m/s}^2$

A vibráció és a zaj bejelentett összértékét szabványos mérési módszerrel állapították meg, és ezeket az értékeket két szerszám összehasonlításához is fel lehet használni.

A vibráció és a zaj bejelentett összértékét a rezgéseknek és zajátalomnak való kitettség előzetes felbecsléséhez is fel lehet használni.

**FIGYELEM:** A kéziszerszám aktuális használatakor mérhető vibráció és zajkibocsátási értékek eltérhetnek a bejelentett értékektől, mert nagyban függnek a szerszám használati módjától és a megmunkált alkatrész típusától. Íme néhány példa és eltérő érték a szerszám használatától függően:

Hogyan használják a szerszámot, milyen anyagokat vágnak vagy fúrnak.

Az eszköz jó állapotban van-e, megfelelően karbantartják-e. Megfelelő tartozékokat használnak-e az eszközhöz, vigyáznak-e, hogy éles legyen, és jó állapotban maradjon. A fogantyú megragadásának erősségétől és az esetleg használt vibrációs- és zajcsökkentő tartozék típusától.

A szerszámot rendeltetészerűen, kialakításának és a jelen utasításoknak megfelelően használják-e.

**Ha a szerszámot nem kezelik megfelelően, kézkar vibrációs szindrómát okozhat.**

**FIGYELEM:** A pontosság érdekében az expozíciós szint becslést értékeléshez a valós használati körülmények között figyelembe kell venni a működési ciklus valamennyi elemét, így azt az időt is, amikor a szerszám ki van kapcsolva, és amikor üresjáratban működik. Ez a teljes munkaidőszak viszonylatában jelentősen csökkentheti az expozíciós szintet.

A vibrációnak és zajnak való kitettség kockázatának csökkentése.

MINDIG éles vésőt, pengét, és hegyes fűrófejet használjon. Az eszközöt jelen utasításoknak megfelelően tartsa karban, és vigyázzon a megfelelő kenésre (ahol erre szükség van). Ha a szerszám rendszeres használatát tervezik, akkor megéri a vibrációs- és zajcsökkentő tartozékok beszerzése. Úgy tervezze meg a munkáját, hogy a magas rezgésszámú eszközök használatát igénylő feladatokat több napra ossza el.

## TARTOZÉKOK

	WX530	WX530.1	WX530.9
Karbidfogazatú fűrésztárcsa	1	1	1
Porelszívó	1	1	1
Villáskulcs	1	1	1
Akkumulátor (WA3551.1)	1	/	/
Akkumulátor (WA3553)	/	1	/
Akkutöltő (WA3860)	1	1	/

Javasoljuk, hogy a tartozékokat ugyanabból a boltból vásárolja meg, ahol a szerszámot is vásárolta. További részleteket a tartozék csomagolásán talál. Kérjen segítséget és tanácsot a bolti eladóktól.

## HASZNÁLATI UTASÍTÁSOK



**MEGJEGYZÉS:** Mielőtt a szerszámot használná, olvassa el figyelmesen az utasításokat.

### RENDELTETÉS:

Ezt a munkadarabot is lefoglaló szerszámot fa és egyéb anyagok egyenes vonalú elővágására (bemetszésekre) és teljes átvágására tervezték.

## ÖSSZESZERELÉS ÉS MŰKÖDÉS

MŰVELET	FIGURE
<b>MŰKÖDTETÉS ELŐTT</b>	
Az akkumulátor behelyezése és eltávolítása	Lásd az A1 ábrát
Az akkumulátor feltöltése	Lásd az A2 ábrát
Akku töltöttség állapot ellenőrzés (csak a WX530.1 modelleknél)	Lásd az A3 ábrát
<b>ÖSSZESZERELÉS</b>	
A vágótárcsa behelyezése és eltávolítása <b>Mej.: Függetlenül attól, hogy reteszezi vagy lazítja az élrögzítő csavart, az elfordulást gátló, reteszelő gombot lenyomva kell tartani.</b>	Lásd a B ábrát
<b>FIGYELEM:</b> A vágótárcsa cseréje előtt minden esetben vegye ki a szerszámból az akkut!	
Imbuszkulcs helye	Lásd a C ábrát
<b>MŰKÖDÉS</b>	
Biztonsági Be-/Kikapcsoló gomb <b>FIGYELEM:</b> Az éles kés okozta vágási sérülések elkerülése érdekében kérjük, ne tegye a kezét a talpapl környékére. <b>MEGJEGYZÉS:</b> A szerszám használatakor csatlakoztassa a por adaptert a porgyűjtőhöz.	Lásd a D ábrát
Vágásmélység beállítása	Lásd az E ábrát
Vágásvezető részegység	Lásd az F ábrát
Ferde vágások <b>FIGYELEM:</b> A ferde vágási üzemmód a EXACTRACK™ üzemmódban nem használható.	Lásd a G ábrát

**EXACTRACK™****Mit jelent EXACTRACK™?**

A EXACTRACK™ egy innovatív funkció, mely sokat segíthet egy egyenes vonalú vágás végrehajtásában, mivel a vágótárcsa vágásmegvezető lapnak való nyomásával a vágás egyenes vonalú marad.

**Biztonsági jegyzetek**

**FIGYELEM: A fűrészlap fogai nagyon élesek. Viseljen védőkesztyűt.**

**Miután kinyitotta, tartsa távol a kezét az alsó védőburkolattól.**

**A EXACTRACK™ vágási művelet jellemzői**

1. A EXACTRACK™ vágást csak 0 és 43 mm-es közötti vágásmélységben lehet használni. (Lásd a I ábrát)
2. A EXACTRACK™ vágásnál kizárólag 90 fokos dőlésszöveget lehet használni, ezzel nem lehet bármilyen ferde szögben vágni.

**Működtetés előtt**

**FIGYELEM: Bármilyen állítás, művelet előtt vegye ki a szerszámból az akkumulátort, és kérjük, hogy az akkusomagot helyezze a gép közelébe.**

1. Állítsa be a kívánt vágásmélységet ( ez 0 és 43 mm közötti intervallumban állítható). (Lásd az I ábrát)
2. Állítsa a kart a EXACTRACK™ vágási üzemmódot jelző pozícióba. (Lásd a J ábrát)
3. Jelölje meg a vágás vonalát a munkadarabon, majd úgy rögzítse a vágásvetítő lapot (nincs mellékelve), hogy az éle pont a vágás vonala mentén fekdődjön. A vágásvetítő lapnak 230 mm-el meg kell haladnia a munkadarab széléit. (Lásd a K1 ábrát)
4. Helyezze a EXACTRACK™ alsó talplemezét (piros rész) a vágásvetítő lap (nincs mellékelve) tetejére, és győződjön meg arról, hogy a fő talplemez a munkadarabon fekszik. (Lásd a K2 ábrát)
5. Kézzel nyissa meg az alsó élvédő burkolatot (  **tartsa távol a kezét a tárcsától!**), és nyomja a gépet a vágásvetítő lap oldalához, majd engedje el az alsó védőburkolat karját. (Lásd a K3 ábrát)

**Működés**

1. Helyezze be az akkumulátort.
2. Kérjük, hogy mindkét kezével, erősen fogja a gépet, és bizonyosodjon meg arról, hogy vágás közben a fő talplemez biztosan talál a vágásvetítő laphoz (mely nincs mellékelve). (Lásd a K4 ábrát)
3. Kapcsolja be a gépet, hogy elkezdje a vágást. (Lásd a K5 ábrát)

**STANDARD üzemmód**

A szokványos 90 fokos vagy ferde vágás esetén (ilyenkor tiltsa le a EXACTRACK™ funkciót), kérjük, hogy a kart forgassa a STANDARD üzemmód állásba. Ezt követően a gépet szabványos körfűrészként is lehet használni. (Lásd az L ábrát) A STANDARD üzemmódot 0 és 55 mm-es (90 fokban), illetve 0 és 39 mm-es (45 fokban) vágásmélységi határértékek között lehet használni.

**A termékre vonatkozó bővebb információk érdekében, látogassa meg a [www.worx.com](http://www.worx.com) honlapot, és ott tekintse meg a How To (Hogyan) című videóklipet.**



## AZ ESZKÖZ HASZNÁLATÁVAL KAPCSOLATOS JAVASLATOK

Amennyiben fűrészelt túlságosan felmelegedik, kérjük, járassa fűrészelt terhelés nélkül 2-3 percig a motor lehűlése érdekében. Kerülje a hosszú ideig tartó használatot nagyon alacsony sebesség alatt.

Óvja a fűrészlárcsákat az ütődéstől és rázkódástól. Soha ne erőltesse a gépet. Könnyű és folyamatos nyomást gyakoroljon a gépre, hogy elkerülje a fűrészlárcsa foghegyeinek túlmelegedését. A túlzott előtolás jelentősen csökkenti a gép teljesítőképességét, illetve a fűrészlárcsa élettartamát. A fűrészelési teljesítmény és a vágás minősége alapvetően függ a fűrészlárcsa fogainak számától. Éppen ezért csak olyan éles fűrészlárcsát használjon, amely megfelel a feldolgozandó anyagnak.

Fűrészlárcsa választás: 24 fogas általános munkához, kb. 40 fogas finom vágásokhoz, több mint 40 fogas nagyon finom, kényes felületbe történő vágásokhoz, gyémánt a csempéhez, cementlaphoz, stb.

Csak a javasolt fűrészlárcsát használja.

## A SZERSZÁMOK KARBANTARTÁSA

**Bármilyen állítás, javítás vagy karbantartási művelet előtt vegye ki a szerszámból az akkumulátort.**

A szerszámokat tartsa élesen és tisztán a jobb és biztonságosabb teljesítmény érdekében. Kövesse az utasításokat a kenésre és a tartozékok cseréjére vonatkozóan. Az elektromos kéziszerszámot nem szükséges megkenni vagy karbantartani. Az elektromos kéziszerszám nem tartalmaz a felhasználó által javítható alkatrészeket. Soha ne használjon vizet vagy vegyi tisztítószereket a szerszám tisztításához. Törölje tisztára egy száraz ronggyal. A szerszámot mindig száraz helyen tárolja. Tartsa tisztán a motor szellőzőnyílásait. Minden szabályozóeszközt tartson pormentesen. Időnként tisztítsa meg a védőburkolatot és a talpat a portól és szilánktól a megfelelő teljesítmény biztosításához.

### AKKUS KÉZISZERSZÁMOKRA VONATKOZÓ FIGYELMEZTETÉSEK

A szerszám és az akku csak 0-45°C közé eső hőmérsékletű tartományban használható és tárolható.

A töltőrendszer csak 0-40°C közötti ajánlott környezeti hőmérsékleteken használható.

# KÖRNYEZETVÉDELEM



A leselejtezett elektromos készülékek nem dobhatók ki a háztartási hulladékkal. Ha van a közelben elektromos hulladék gyűjtő udvar, vigye oda a készüléket. Az újrahasznosítási lehetőségekről tájékozódjon a helyi hatóságoknál vagy a kereskedőnél.

## HIBAELHÁRÍTÁS

Tünet	Lehetséges okok	Lehetséges megoldás
Az eszköz nem kapcsol be, amikor megnyomom a ki-/bekapcsoló gombot.	Rosszul behelyezett akku. Lemerült akku.	Ellenőrizze le, hogy a behelyezett akku helyesen érintkezik-e. Töltse fel az akkut.
A vágásmélység kevesebb a megadottnál.	A fűrészpor felgyűlt a talp hátoldalán.	Rázza ki a fűrészport. Esetleg csatlakoztasson egy porszívót a por összegyűjtéséhez.
A fűrész tárcsa forog vagy csúszkál	A fűrész tárcsa nincs szorosan a tengelyhez rögzítve.	Távolítsa el a fűrész tárcsát, majd szerelje össze újra a <b>FELSZERELÉS/ FÜRÉSZTÁRCSA CSERÉJE</b> című fejezetben leírtak szerint.
A fűrész tárcsa nem vág egyenesen.	A fűrész tárcsa tompa. A fűrész tárcsa nincs megfelelően befogva. A fűrész tárcsa nincs megfelelően megvezetve.	Fogjon be egy új, éles fűrész tárcsát a fűrészbe. Ellenőrizze, hogy a fűrész tárcsa helyesen van-e befogva. Használjon párhuzamos megvezetőt.
A vágás megkezdésekor a fűrész tárcsa visszarúg.	A fűrész tárcsa nem forog elég gyorsan.	A vágás megkezdése előtt várja meg, míg a fűrész tárcsa eléri a végső sebességet.

## MEGFELELŐSÉGI NYILATKOZAT

A gyártó,  
POSITEC Germany GmbH  
Grüner Weg 10, 50825 Cologne, Germany

Kijelenti, hogy a termék:  
Leírás **Akkus körfűrész**  
Típus **WX530 WX530.1 WX530.9 (5-a készülék megjelölése, fűrész jelöl)**  
Rendeltetés **Különböző anyagok vágása egy forgó, fogazott fűrész tárcsa segítségével**

Megfelel a következő irányelveknek:  
**2006/42/EC, 2014/30/EU, 2011/65/EU & (EU) 2015/863**

Az alábbi normáknak  
**EN 62841-1, EN 62841-2-5, EN 55014-1, EN 55014-2**

A műszaki dokumentáció összeállítására jogosult személy:

**Név Marcel Filz**  
**Cím Positec Germany GmbH Grüner Weg 10, 50825 Cologne, Germany**



2019/5/28  
Allen Ding  
Helyettes főmérnöke, Tesztelés és minősítés  
Positec Technology (China) Co., Ltd  
18, Dongwang Road, Suzhou Industrial Park,  
Jiangsu 215123, P.R. China

# SECURITATEA PRODUSULUI AVERTISMENTE GENERALE DE SIGURANȚĂ PENTRU UNELTE ELECTRICE

**⚠ ATENȚIONARE:** Citiți toate atenționările de siguranță și parcurgeți toate instrucțiunile, ilustrațiile și specificațiile atașate acestei scule electrice. Nerespectarea tuturor instrucțiunilor enumerate mai jos poate duce la electrocutare, incendiu și/sau leziune corporală gravă.

## Păstrați toate avertismentele și instrucțiunile pentru consultări ulterioare.

Termenul „unealtă electrică” din avertismente se referă la o unealtă electrică alimentată de la rețeaua de energie electrică (prin cablu) sau la o unealtă electrică alimentată de la un acumulator (fără cablu).

### 1) SIGURANȚA ZONEI DE LUCRU

- a) **Mențineți zona de lucru curată și bine iluminată.** Zonele de lucru în dezordine și întunecoase favorizează accidentele.
- b) **Nu utilizați uneltele electrice în atmosfere explozive, de exemplu în prezența unor lichide, gaze sau pulberi inflamabile.** Uneltele electrice provoacă scântei ce pot aprinde pulberea sau vaporii.
- c) **Asigurați-vă că nu sunt în apropiere persoane și copii în timpul funcționării unei unelte electrice.** Distragerea atenției poate duce la pierderea controlului uneltei.

### 2) SIGURANȚA ELECTRICĂ

- a) **Fizele uneltei electrice trebuie să se potrivească perfect în priza de alimentare. Nu modificați niciodată ștecherul. Nu folosiți niciun adaptor pentru uneltele electrice cu împământare.** Utilizarea ștecherelor nemodificate în prize corespunzătoare va reduce riscul electrocutării.
  - b) **Evitați contactul fizic cu suprafețe cu legătură la pământ, cum ar fi țevi, radiatoare, mașini de gătit sau frigidere.** Riscul electrocutării este mai mare în cazul în care corpul dumneavoastră vine în contact cu suprafața împământată.
  - c) **Nu expuneți uneltele electrice la ploaie sau la umiditate.** Dacă intră apă în unealta electrică, riscul electrocutării este mai mare.
  - d) **Nu deteriorați cablul de alimentare. Nu folosiți niciodată cablul pentru transportarea, tragerea sau scoaterea din priză a uneltei electrice. Păstrați cablul de alimentare la distanță de căldură, ulei, margini ascuțite sau părți mobile.** Cablurile deteriorate sau încurcate măresc riscul electrocutării.
  - e) **Când utilizați unealta electrică în exterior, utilizați un prelungitor potrivit pentru utilizarea în exterior.** Utilizarea unui cablu potrivit pentru uzul în exterior reduce riscul electrocutării.
  - f) **Dacă utilizarea uneltei electrice într-un loc umed nu poate fi evitată, folosiți o alimentare protejată cu dispozitiv de curent rezidual (RCD).** Folosirea unui dispozitiv RCD reduce riscul electrocutării.
- ### 3) SIGURANȚA PERSONALĂ
- a) **Fiți concentrat, urmăriți ceea ce faceți și dați dovadă de simț practic când folosiți o unealtă electrică. Nu folosiți o unealtă electrică dacă sunteți obosit sau sub influența drogurilor, a alcoolului sau a medicamentelor.** O clipă de neatenție în timpul funcționării uneltei electrice poate duce la accidente personale grave.
  - b) **Folosiți echipament personal de protecție. Purtați întotdeauna ochelari de protecție.** Echipamentele de protecție precum masca de protecție contra prafului, încălțăminte cu talpă antiderapantă, casca sau protecția pentru urechi vor reduce riscul accidentărilor, utilizate în mod corespunzător.
  - c) **Preveniți punerea accidentală în funcțiune. Asigurați-vă că întrerupătorul se află în poziția de oprire înainte de a face conectarea la sursa de alimentare și/sau la acumulator, înainte de a ridica sau a transporta unealta.** Transportarea uneltelor electrice ținând degetul pe întrerupător sau alimentarea acestora cu întrerupătorul pornit poate duce la accidente.
  - d) **Scoateți orice cheie de reglare sau cheie de piulițe înainte de a porni unealta electrică.** O cheie de piulițe sau o altă cheie rămasă prinsă de o componentă rotativă a uneltei poate duce la rănirea personală.
  - e) **Păstrați un echilibru corect. Mențineți-vă permanent echilibrul și sprijiniți-vă ferm pe picioare.** Acest lucru permite un control mai bun al uneltei electrice în situații neprevăzute.
  - f) **Îmbrăcați-vă corespunzător. Nu purtați îmbrăcăminte prea largă sau bijuterii. Țineți la distanță părul și hainele dvs. de piesele în mișcare ale uneltei electrice.** Hainele prea largi, bijuteriile și părul lung se pot prinde în piesele mobile.
  - g) **Dacă sunt furnizate accesorii pentru conectarea unor dispozitive de aspirare și colectare a prafului, asigurați-vă că acestea sunt montate și folosite corect.** Folosirea colectorului de praf poate reduce riscul accidentărilor din cauza prafului.
  - h) **Nu lăsați ca odată cu familiarizarea dvs. cu utilizarea uneltei să deveniți indolenți și să uitați respectarea principiilor de siguranță ale uneltei electrice.** Orice acțiune nesăbuită poate duce la leziuni corporale grave într-o fracțiune de secundă.

- 4) UTILIZAREA ȘI ÎNTREȚINEREA UNELTELOR ELECTRICE**
- a) Nu forțați unealta electrică. Folosiți unealta electrică potrivită pentru aplicație.** Cu o unealtă electrică potrivită veți lucra mai bine și mai în siguranță, la viteza pentru care a fost concepută.
- b) Nu utilizați unealta electrică dacă nu o puteți porni sau opri de la întrerupător.** Orice unealtă electrică ce nu poate fi acționată de la întrerupător este periculoasă și trebuie reparată.
- c) Deconectați ștecherul de la sursa de alimentare electrică și/sau scoateți acumulatorul detașabil din unealta electrică înainte de orice reglaj, schimbare de accesorii sau de stocare a uneltei.** Astfel de măsuri de siguranță reduc riscul pornirii accidentale a uneltei electrice.
- d) Nu lăsați uneltele electrice la îndemâna copiilor și nu permiteți persoanelor ce nu știu să le manevreze și nu cunosc instrucțiunile să acționeze aceste unelte.** Uneltele electrice sunt periculoase în mâinile utilizatorilor neinstruiți.
- e) Întreținerea uneltei electrice și ale accesoriilor aferente. Verificați posibila aliniere incorectă sau posibila blocare a componentelor mobile, deteriorarea componentelor sau orice alte situații care pot afecta funcționarea uneltei electrice. Dacă unealta electrică este deteriorată, reparați-o înainte de utilizare.** Multe accidente sunt provocate din cauza întreținerii incorecte a uneltelor.
- f) Uneltele de tăiere trebuie menținute ascuțite și curate.** Riscul blocării uneltelor de tăiere cu margini ascuțite întreținute corect este mai mic și acestea sunt mai ușor de controlat.
- g) Utilizați unealta electrică, accesoriile, piesele etc. conform acestor instrucțiuni, luând în considerare condițiile de lucru și operația de efectuat.** Folosirea uneltei electrice pentru operații diferite de cele pentru care a fost concepută poate duce la accidente.
- h) Păstrați uscate, curate și fără urme de ulei sau grăsime mânerul și suprafețele de apucare ale uneltei.** Mânerul și suprafețele de apucare alunecească împiedică manipularea și controlul sigur al uneltei tocmai în cele mai neașteptate situații.
- 5) UTILIZAREA ȘI ÎNTREȚINEREA UNELTELOR CU ACUMULATORI**
- a) Efectuați reîncărcarea numai cu încărcătorul specificat de producător.** Un încărcător adecvat pentru un anumit tip de acumulator poate prezenta risc de incendiu dacă este utilizat cu alt tip de acumulator.
- b) Folosiți mașinile electrice numai cu acumulatorii special destinați acestora.** Utilizarea oricăror altor acumulatori poate prezenta risc de rănire și de incendiu.
- c) Când nu folosiți acumulatorul, țineți-l**

**la distanță de obiecte metalice precum agrafe de birou, monede, chei, cuie, șuruburi sau alte obiecte metalice mici, ce pot constitui o legătură între cele două borne.** Un scurtcircuit al bornelor acumulatorului poate duce la arsuri sau incendiu.

- d) În condiții necorespunzătoare de utilizare, se poate prinde lichid din acumulator; evitați contactul. În caz de producere accidentală a contactului, clătiți bine cu apă. Dacă v-a intrat lichid în ochi, consultați imediat medicul.** Lichidul expulzat din acumulator poate cauza iritații sau arsuri.
- e) Nu utilizați acumulatorul sau scula dacă acestea sunt deteriorate sau modificate.** Acumulatorii deteriorați sau modificați se pot comporta într-un mod imprevizibil, crescând riscul unui incendiu, unei explozii sau leziunilor corporale.
- f) Evitați expunerea la foc și la temperaturi excesive a acumulatorului sau a sculei.** Expunerea la foc sau la temperaturi care depășesc 130°C poate duce la explozie.
- g) Respectați toate instrucțiunile de reîncărcare și nu încărcați acumulatorul sau scula decât în plaja de temperaturi specificată în instrucțiuni.** Reîncărcarea necorespunzătoare sau la temperaturi din afara plajei de temperaturi specificate poate duce la deteriorarea acumulatorului și la creșterea riscului de incendiu.
- 6) SERVICE**
- a) Service-ul uneltei electrice trebuie efectuat de persoane calificate, folosind doar piese de schimb originale.** Acest lucru va asigura folosirea în continuare a uneltei electrice în siguranță.
- b) Nu reparați niciodată acumulatorii deteriorați.** Service-ul acumulatorilor trebuie efectuat numai de către fabricant sau de centre de service autorizate.

## AVERTISMENT DE SIGURANȚĂ VALABIL PENTRU TOATE FERĂSTRAIELE

### PROCES DE TĂIERE

- a)  PERICOL: Țineți mâinile la distanță de zona de tăiere și discul circular al ferăstrăului. Țineți mâinile pe mânerul auxiliar sau pe carcasa motorului.** Dacă ambele mâini sunt fixate pe ferăstrău, acestea nu pot fi tăiate de către discul circular.
- b) Nu introduceți mâna sub piesa de prelucrat.** Apărătoarea nu vă protejează împotriva discului sub piesa de prelucrat.
- c) Reglați adâncimea de tăiere la grosimea piesei de prelucrat.** Mai puțin de un dinte

complet al discului trebuie să fie vizibil sub piesa de prelucrat.

- d) **Nu țineți niciodată în mână sau pe picioare piesa pe care o tăiați. Fixați piesa de prelucrat pe o platformă stabilă.** Este important să susțineți corespunzător piesa de prelucrat pentru a reduce expunerea corpului, îndoirea discului sau pierderea controlului.
- e) **Țineți unealta electrică numai de suprafața izolată de prindere atunci când efectuați o operațiune la care accesoriul de debitare poate intra în contact cu circuite electrice ascunse sau cu cablul propriu de alimentare.** Accesoriul de debitare care intră în contact cu un cablu sub tensiune poate descoperi părțile metalice ale acestuia și poate provoca electrocutarea operatorului.
- f) **Când spintecați, folosiți întotdeauna o riglă de ghidare sau un ghidaj cu margine dreaptă.** Astfel sporii precizia de tăiere și reduceți riscul de înțepenire a discului.
- g) **Utilizați întotdeauna discuri de dimensiunea și forma corectă (diamant versus rotund) pentru orificiile axului.** Discurile care nu coincid componentelor de montare ale ferăstrăului vor funcționa excentric, cauzând pierderea controlului asupra unelei.
- h) **Nu utilizați niciodată șaibe sau bolțuri deteriorate sau incorecte pentru discuri.** Șaibele și bolțurile pentru discuri au fost concepute special pentru ferăstrăul dumneavoastră, pentru performanțe optime și operare în siguranță.

**de recul. Poziționați-vă corpul de o parte și de alta a discului, dar niciodată în linie cu el. Poziționați cealaltă mână departe de traiectoria ferăstrăului.** Reculul ar putea cauza aruncarea ferăstrăului înapoi, dar forțele de recul pot fi controlate de către operator, dacă sunt luate măsurile de precauție adecvate.

- b) **Când discul este înțepenit sau când intrerupeți o tăietură din diferite motive, eliberați butonul declanșator și țineți ferăstrăul nemișcat în material până când discul se oprește complet. Nu încercați niciodată să îndepărtați ferăstrăul din piesa pe care o tăiați sau să-l trageți înapoi în timpul rotației discului, deoarece puteți cauza un recul.** Investigați și luați măsuri corective pentru a elimina cauza prinderii pânzei.
- c) **Când reporniți un ferăstrău în piesa de prelucrat, centrați discul ferăstrăului în fantă și verificați dacă dinții discului nu sunt prinși în material.** Dacă discul ferăstrăului este blocat în material, acesta se poate ridica sau poate fi împins înapoi din piesa de prelucrat atunci când îl reporniți.
- d) **Rezemați panourile mari pentru a reduce riscul prinderii sau reculului discului.** Panourile mari au tendința să se încovoieze sub propria greutate. Pe ambele părți ale panoului trebuie așezate suporturi, mai exact în apropierea liniei de tăiere și în apropierea marginii panoului.
- e) **Nu utilizați discuri uzate sau deteriorate.** Pânzele neascuțite sau montate incorect produc o fantă îngustă, cauzând o fricțiune excesivă și prinderea și reculul discului.
- f) **Pârghiile de blocare pentru adâncimea de tăiere a discului și ajustarea înclinării trebuie să fie strânse și fixate înaintea efectuării tăieturii.** Dacă dispozitivul de reglare a discului alunecă în timpul tăierii, ar putea cauza prinderea și reculul.
- g) **Acordați o atenție sporită atunci când tăiați în pereții existenți sau în alte zone mascate.** Discul poate tăia obiecte, rezultând un recul.

## INSTRUCȚIUNI SUPPLEMENTARE PRIVIND SIGURANȚA PENTRU TOATE FERĂSTRĂILE

### Cauze ale reculului și alte avertismente similare

- Reculul este o reacție bruscă la un disc de ferăstrău agățat, blocat sau nealiniat, cauzând ridicarea și ieșirea din piesa de prelucrat a unui ferăstrău scăpat de sub control, înspre operator.
  - Când discul este prins sau înțepenit la închiderea fantei, acesta se blochează, iar reacția motorului împinge rapid unitatea înapoi înspre operator.
  - Dacă discul se răsucește sau este nealiniat în timpul tăierii, dinții din spate pot pătrunde în suprafața superioară a lemnului cauzând ieșirea din fantă a discului și reculul înspre operator. Reculul este rezultatul utilizării incorecte a ferăstrăului și/sau al procedeelelor sau condițiilor de lucru necorespunzătoare, putând fi evitat prin adoptarea unor măsuri de precauție adecvate prezentate în continuare.
- a) **Țineți ferăstrăul strâns și poziționați mâna astfel încât să faceți față forțelor**

## INSTRUCȚIUNI DE SIGURANȚĂ PENTRU FERĂSTRĂUL CIRCULAR CU DISPOZITIV DE PROTECȚIE INFERIOR

### FUNCȚIA APĂRĂTORII INFERIOARE

- a) **Verificați dacă dispozitivul de protecție inferior este închis corect înainte de fiecare utilizare. Nu acționați ferăstrăul dacă dispozitivul de protecție inferior nu se mișcă liber și nu se închide instantaneu. Nu fixați sau strângeți**

**niciodată dispozitivul de protecție inferior în poziția deschis.** Dacă ferăstrăul este scăpat accidental, dispozitivul de protecție inferior se poate îndoi. Ridicați dispozitivul de protecție inferior cu mânerul retractabil și asigurați-vă că se mișcă liber și nu atinge discul sau vreo altă piesă, în niciun unghi și la nicio adâncime de tăiere.

- b) Verificați dacă dispozitivul de protecție inferior este închis corect înainte de fiecare utilizare. Nu acționați ferăstrăul dacă dispozitivul de protecție inferior nu se mișcă liber și nu se închide instantaneu. Nu fixați sau strângeți niciodată dispozitivul de protecție inferior în poziția deschis.** Dacă ferăstrăul este scăpat accidental, dispozitivul de protecție inferior se poate îndoi. Ridicați dispozitivul de protecție inferior cu mânerul retractabil și asigurați-vă că se mișcă liber și nu atinge discul sau vreo altă piesă, în niciun unghi și la nicio adâncime de tăiere.
- c) Dispozitivul de protecție inferior trebuie retractat manual numai pentru tăieturi speciale, cum sunt "tăieturile transversale" și "tăieturile combinate". Ridicați dispozitivul de protecție inferior cu ajutorul mânerului de retragere, iar imediat ce discul pătrunde în material, apăraoarea inferioară trebuie eliberată.** Pentru toate celelalte tipuri de tăiere, apăraoarea inferioară trebuie acționată automat.
- d) Asigurați-vă întotdeauna că dispozitivul de protecție inferior acoperă discul înainte de așezarea ferăstrăului pe masă sau podea.** Discul neprotejat care se mai rotește din inerție va cauza mersul înapoi al ferăstrăului, tăind orice întâlnește în cale. Fiți conștient de timpul necesar discului pentru oprire după eliberarea întrerupătorului.

## **INSTRUCȚIUNI DE SIGURANȚĂ SUPLIMENTĂRE PENTRU TĂIERILE EXACTRACK™**

- a) Apăraoarea inferioară poate fi retras manual numai pentru tăierile EXACTRACK™.** Ridicați apăraoarea inferioară cu ajutorul mânerului de retragere, iar imediat ce discul pătrunde în material, apăraoarea inferioară trebuie eliberată. Pentru toate celelalte tipuri de tăiere, apăraoarea inferioară trebuie acționată automat.
- b) La tăierea EXACTRACK™ butonul Pornit/Oprit trebuie acționat numai în momentul în care discul pătrunde în material.**

## **REGULI SUPLIMENTARE PRIVIND SIGURANȚA UTILIZĂRII FERĂSTRĂULUI CIRCULAR**

1. Utilizați numai discurile recomandate de fabricantul sculei, discuri în conformitate cu reglementarea EN 847-1, specifice tăierii lemnului și a materialelor asemănătoare cu acesta.
2. Nu utilizați pietre/discuri abrazive.
3. Utilizați numai acele discuri care au diametre conforme cu marceajele.
4. Identificați discul potrivit materialului care urmează a fi tăiat.
5. Utilizați numai acele discuri care au o viteză de rotație egală sau mai mare decât viteza indicată pe eticheta sculei electrice.

## **AVERTISMENTE PRIVIND SIGURANȚA PENTRU ACUMULATOR**

- a) Nu demontați, deschideți sau rupeți elementele sau acumulatorul.**
- b) Nu scurtcircuitați un acumulator. Nu depozitați acumulatorii la întâmplare într-o cutie sau într-un sertar unde s-ar putea scurtcircuita între ele sau prin materiale conductoare.** Când bateria nu este în uz, țineți-o la distanță de alte obiecte metalice, cum sunt agrafele pentru hârtie, monede, cui, șuruburi sau alte obiecte metalice mici, care pot crea contact între bornele acestora. Scurtcircuitarea bornelor bateriei poate cauza arsuri sau incendii.
- c) Nu expuneți acumulatorul la căldură sau foc. Evitați depozitarea în lumina directă a soarelui.**
- d) Nu supuneți acumulatorul la șocuri mecanice.**
- e) În cazul scurgerii acumulatorului, aveți grijă ca lichidul să nu intre în contact cu pielea sau ochii. În cazul contactului, spălați zona afectată cu apă din belșug și solicitați asistență medicală.**
- f) Consultați medicul imediat dacă ați înghițit un element al acumulatorului.**
- g) Mențineți acumulatorul curat și uscat.**
- h) Ștergeți terminalele acumulatorului cu o cârpă curată și uscată dacă se murdăresc.**
- i) Acumulatorul trebuie încărcat înainte de utilizare. Consultați întotdeauna aceste instrucțiuni și utilizați procedura de încărcare corectă.**
- j) Nu încărcați acumulatorul atunci când nu îl utilizați.**
- k) După perioade extinse de depozitare,**

ar putea fi necesară încărcarea și descărcarea acumulatorului de mai multe ori pentru a obține performanțe maxime.

- l) **Acumulatorul oferă cele mai bune performanțe când este operat la temperatura normală a camerei (20 °C ± 5 °C).**
- m) **Când depuneți la deșeurile acumulatorii, păstrați separat acumulatorii unor sisteme electrochimice diferite.**
- n) **Reîncărcați folosind doar încărcătorul specificat de WORX. Nu utilizați niciun alt încărcător în afară de cel conceput specific pentru utilizarea cu acest echipament.**  
Un încărcător potrivit pentru un tip de cartuș de acumulatori poate provoca riscul incendierii dacă este folosit pentru un alt tip de cartuș de acumulatori.
- o) **Nu utilizați acumulatorii care nu sunt concepute pentru a fi utilizate cu această unealtă electrică.**
- p) **Nu lăsați acumulatorul la îndemâna copiilor.**
- q) **Păstrați documentația originală a produsului pentru consultări ulterioare.**
- r) **Când nu o utilizați, îndepărtați acumulatorul din unealta electrică.**
- s) **Eliminați acumulatorul în mod corespunzător.**
- t) **Nu introduceți în aparat acumulatorii care provin de la producători diferiți sau cu capacități, dimensiuni sau tipuri diferite.**
- u) **Nu scoateți pachetul de acumulatori din ambalajul lui original decât în momentul premergător utilizării acestuia.**
- v) **Țineți cont de polaritatea (+) și (-) indicate pe acumulator pentru a asigura o utilizare corectă a acestuia.**

## SIMBOLURI

	Pentru a reduce riscul de accidentări, utilizatorul trebuie să citească manualul de instrucțiuni.
	Avertisment
	Purtați echipament de protecție pentru urechi
	Purtați echipament de protecție pentru ochi

	Purtați mască de protecție contra prafului
	Nu expuneți la ploaie sau apă
	Nu ardeți
	Nu aruncați acumulatorii. Returnați acumulatorii consumați la punctul local de colectare sau reciclare.
	Asigurați-vă că acumulatorul a fost scos din unealtă înainte de a schimba vreun accesoriu sau de a efectua vreun reglaj.
	Purtați mănuși de protecție
	Lemn
	Disc circular cu dinți de carbid
	Blocare
	Deblocare
	Produsele electrice nu trebuie depuse la deșeurile împreună cu gunoiul menajer. Vă rugăm să depuneți produsele electrice la unitățile de reciclare existente. Consultați-vă cu autoritățile locale sau cu distribuitorul pentru sfaturi privind reciclarea.

# LISTĂ DE COMPONENTE

1. **BUTON DE SIGURANȚĂ**
2. **ÎNTRERUPĂTOR ON/OFF (PORNIRE/OPRIRE)**
3. **MÂNER FRONTAL**
4. **SEMN DE TĂIERE LA 0°**
5. **SEMN DE TĂIERE LA 45°**
6. **PLACĂ DE BAZĂ (TALPĂ) PRINCIPALĂ**
7. **BLOCARE OBLICĂ PLACĂ DE BAZĂ (TALPĂ)**
8. **SCALĂ UNGHI PLACĂ DE BAZĂ (TALPĂ)**
9. **CHEIE HEXAGONALĂ**
10. **ACUMULATOR\***
11. **BUTON DE ELIBERARE A ACUMULATORULUI\***
12. **APĂRĂTOARE FIXĂ**
13. **GURĂ DE EVACUARE PENTRU EXTRAȚIA PRAFULUI**
14. **MÂNER APĂRĂTOARE INFERIOARĂ**
15. **PLACĂ DE BAZĂ (TALPĂ) AUXILIARĂ PT. TĂIEREA EXACTRACK™**
16. **DISC DE FERĂSTRĂU**
17. **FLANȘĂ EXTERIOARĂ**
18. **ȘURUB DE FIXARE DISC CIRCULAR**
19. **APĂRĂTOARE INFERIOARĂ DISC**
20. **AX**
21. **FLANȘĂ INTERIOARĂ**
22. **SCALĂ ADÂNCIME DE TĂIERE (Consultați Fig. E)**
23. **BUTON BLOCABIL PT. ADÂNCIMEA DE TĂIERE (Consultați Fig. E)**
24. **PÂRGHIE DE COMUTARE (Consultați Fig. E)**
25. **BUTON DE BLOCARE A ARBORELUI (Consultați Fig. K2)**

\*Nu toate accesoriile ilustrate sau descrise sunt incluse în livrarea standard.

## DATE TEHNICE

Tip **WX530 WX530.1 WX530.9** (5- denumire mașină, reprezentând ferăstrăul)

	<b>WX530</b>	<b>WX530.1</b>	<b>WX530.9</b>
Tensiune de alimentare	20 V $\text{---}$ Max**		

Turație fără sarcină (nominală)	4900 rot./min
Diametrul discului	165 mm
Alezaj disc de ferăstrău	20 mm
Limite de tăiere	
Adâncime de tăiere la 45°	39 mm
Adâncime de tăiere la 90°	55 mm
Capacitate de tăiere oblică	0-50°
Greutate unaltă(fără pachetul de acumulator)	2.3 kg

\*\*Tensiune măsurată la mersul în gol. Tensiunea inițială a acumulatorului atinge maximum 20 volți. Tensiunea nominală este de 18 volți.

## INFORMAȚII PRIVIND ZGOMOTUL

Presiune sonică ponderată A	$L_{pA} = 82.8 \text{ dB(A)}$
Putere acustică ponderată	$L_{WA} = 93.8 \text{ dB(A)}$
$K_{pA} \& K_{WA}$	3 dB(A)

**Purtați echipament de protecție pentru urechi.**



## INFORMAȚII DESPRE VIBRAȚII

Valori totale vibrații (sumă vectorială triaxială) determinată conform EN 62841:

Valoarea de emisie a vibrației:	Tăiere lemn: $a_{n,w} = 6.572 \text{ m/s}^2$
	Marjă de eroare $K = 1.5 \text{ m/s}^2$

Valoarea totală declarată pentru vibrații și pentru zgomot a fost măsurată în concordanță cu metoda de testare standard și poate fi utilizată și la compararea a două unelte.

Valoarea totală declarată pentru vibrații și pentru zgomot poate fi utilizată și la evaluarea preliminară a expunerii la acestea.

**⚠ ATENȚIONARE:** Nivelul emisiilor de vibrații și de zgomot în timpul utilizării reale a unelei poate

să difere de valorile declarate, aceste valori fiind în funcție de modalitățile de utilizare ale sculei, dar mai ales de felul piesei prelucrate cu unealta. Iată în continuare niște exemple de utilizare care conduc la apariția diferențelor de valori:

Modul în care scula este folosită și tipul de materiale tăiate sau sfredelite.

Scula este în stare bună de funcționare și bine întreținută.

Folosirea accesoriului corect pentru sculă și păstrarea acesteia în condiții bune.

Forța de apucare a mânerelor și dacă s-a utilizat vreun accesoriu de reducere a vibrațiilor și a zgomotului.

Scula este folosită conform indicațiilor din fabrică și conform acestor instrucțiuni.

### Această sculă poate cauza sindromul vibrație mână-braț dacă nu este folosită în mod corespunzător.

**ATENȚIONARE:** Pentru a fi corectă, estimarea nivelului de expunere în condiții concrete de folosire trebuie să ia în considerare toate părțile ciclului de operare cum ar fi de câte ori scula este oprită și cât timp este pornită dar nu lucrează. Acest lucru poate reduce semnificativ nivelul de expunere de-a lungul perioadei de lucru totale.

Minimalizarea riscului de expunere la vibrații și la zgomot.

Folosiți ÎNTOTDEAUNA dalte, burghiuri și lame ascuțite.

Păstrați acest aparat în conformitate cu aceste instrucțiuni și păstrați-l bine gresat (dacă e cazul).

Dacă unealta va fi utilizată în mod regulat, atunci nu ezitați să investiți în procurarea de accesorii antivibrație și antizgomot.

Planificați-vă programul de lucru pentru a folosi sculele cu număr mare de vibrații de-a lungul a mai multe zile.

## ACCESORII

	WX530	WX530.1	WX530.9
Disc cu dinți de carbid	1	1	1
Adaptor pt. îndepărtarea prafului	1	1	1
Cheie hexagonală	1	1	1
Acumulator (WA3551.1)	1	/	/
Acumulator (WA3553)	/	1	/
Încărcător (WA3860)	1	1	/

Vă recomandăm să achiziționați accesoriile de la același magazin de la care ați cumpărat unealta. Consultați ambalajul accesoriului pentru detalii suplimentare. Personalul din magazin vă poate oferi asistență și sfaturi.

## INSTRUCȚIUNI DE UTILIZARE



**NOTĂ:** Înainte de a utiliza unealta, citiți cu atenție manualul de instrucțiuni.

### DESTINAȚIA DE UTILIZARE:

Scula aceasta care se sprijină ferm pe obiectul de tăiat a fost proiectată pentru incizii drepte în lemn și alte materiale sau pentru tăierea lor completă.

## ASAMBLARE ȘI OPERARE

AȚIUNE	GRAFICĂ
--------	---------

### OPERARE DE BAZĂ

Fixarea/îndepărtarea acumulatorului	Consultați Fig. A1
Încărcarea acumulatorului	Consultați Fig. A2
Verificarea stării de încărcare a acumulatorului (doar pentru modelele WX530.1)	Consultați fig. A3

### ANSAMBLU

Asamblarea și îndepărtarea pânzei ferăstrăului

**Notă: Indiferent de faptul că strângeți sau slăbiți șurubul de fixare a lamei, butonul de blocare a rotirii tebuie ținut apăsat în tot acest răstimp.**



**AVERTISMENT:** Scoateți întotdeauna acumulatorul înainte de a schimba pânza!

Depozitarea cheii hexagonale	Consultați Fig. C
------------------------------	-------------------

### OPERAȚIUNE

Întreprător de pornire/oprire de siguranță	Consultați Fig. D
<b>ATENȚIONARE:</b> Pentru a evita rănirea prin tăiere, vă rugăm să nu țineți mâinile în apropierea plăcii de bază. <b>NOTĂ:</b> Când utilizați instrumentul, conectați adaptorul de praf la colectorul de praf.	
Reglarea adâncimii de tăiere	Consultați Fig. E
Piesă de ghidare a tăierii	Consultați Fig. F

Tăieturi oblice <b>NOTĂ: Tăierea oblică nu poate fi utilizată în modul de lucru EXACTRACK™.</b>	Consultați Fig. G
Îndepărtarea rumegușului	Consultați Fig. H

## EXACTRACK™

### Ce reprezintă EXACTRACK™?

EXACTRACK™ reprezintă o funcție inovatoare care vă poate ajuta la efectuarea unei tăieri drepte prin apăsarea continuă a discului de-a lungul unei plăci de ghidare a tăierii.

### Note privind siguranța

**⚠ ATENȚIONARE: Dinții discului sunt foarte ascuțiți. Purtați mănuși de protecție.**

**Țineți mâinile la distanță de disc după ce ați deschis apărătoarea inferioară!**

### Caracteristicile tăierii EXACTRACK™

1. Tăierea EXACTRACK™ se poate efectua la adâncimi cuprinse între 0 și 43 mm. (Consultați fig. I)
2. Tăierea EXACTRACK™ se poate efectua numai la 90 de grade, alte unghiuri de tăiere sunt excluse.

### Operare de bază

**⚠ ATENȚIONARE: Scoateți acumulatorul din unealtă înainte de a efectua orice ajustări și totodată vă rugăm să așezați pachetul de acumulatori în apropierea mașinii.**

1. Reglați scula la adâncimea de tăiere dorită (între 0 și 43 mm). (Consultați fig. I)
2. Așezați maneta în poziția care indică modul de tăiere EXACTRACK™. (Consultați fig. J)
3. Trasați pe piesă linia de tăiere dorită, după care fixați placa de ghidare a tăierii (nefumizată) astfel încât muchia ei să cadă exact pe linia de tăiere trasată. Lungimea plăcii de ghidare a tăierii trebuie să depășească cu 230 mm ambele margini ale piesei de tăiat. (Consultați fig. K1)
4. Așezați placa de bază (talpa) auxiliară (partea roșie) a tăierii EXACTRACK™ peste placa de ghidare a tăierii (nefumizată) și asigurați-vă că placa de bază (talpa) principală s-a așezat perfect pe piesa de prelucrat. (Consultați fig. K2)
5. Deschideți cu mâna apărătoarea inferioară a discului

**⚠ țineți mâinile la distanță de disc),** apăsați mașina spre partea laterală a plăcii de ghidare a tăierii, după care ridicați mâna de pe mânerul apărătoarei inferioare. (Consultați fig. K3)

### Operațiuni

1. Instalați acumulatorul.
2. Vă rugăm să apăcați mașina ferm, cu ambele mâini, și asigurați-vă că în timpul tăierii placa de bază principală se aliniază perfect cu placa de ghidare a tăierii (nefumizată). (Consultați fig. K4)
3. Porniți mașina pentru a începe tăierea planificată. (Consultați fig. K5)

### Modul STANDARD

Pentru o tăiere normală la 90 de grade sau la o tăiere oblică (dezactivați funcția EXACTRACK™) mânerul trebuie rotit și așezat în poziția de lucru STANDARD, după care unealta dvs. poate fi utilizată și ca un ferăstrău circular standard. (Consultați fig. L)

Modul de lucru STANDARD poate fi utilizat la adâncimi de tăiere cuprinse între 0 și 55 mm (tăieri la 90 de grade) și 0 și 39 mm (tăieri la 45 de grade).

**Dacă doriți și alte informații legate de produs, vizitați pagina noastră de Internet: [www.worx.com](http://www.worx.com) și vizionați clipul How To (Cum). Pentru mai multe detalii, vă rugăm să consultați Manualul utilizatorului. Citiți următoarele:**



## SFATURI PRIVIND LUCRUL CU UNEALTA

Dacă unealta electrică se încinge prea tare, utilizați-o fără încărcătură cu mers în gol timp de 2-3 minute pentru a răci motorul. Evitați funcționarea prelungită la turații foarte mici. Protejați pânzele ferăstrăului împotriva impactului și șocului. Nu forțați unealta electrică. Aplicați o presiune ușoară, dar continuă pe o unealtă pentru a evita supraîncălzirea vârfului dinților discului. Protejați pânzele ferăstrăului împotriva impactului și șocului. Alimentarea excesivă reduce semnificativ performanțele mașinii și durata de viață a pânzei ferăstrăului. Performanța și calitatea tăieturii depind în special de starea și numărul de dinți ai pânzei ferăstrăului. Așadar, utilizați doar pânze de ferăstrău ascuțite potrivite pentru materialul prelucrat. Alegerea pânzelor: 24 de dinți pentru operații generale, aproximativ 40 de dinți pentru tăieturi mai fine, peste 40 de dinți pentru tăieturi foarte fine pe suprafețe delicate, diamant pentru plăci de ceramică, plăci de ciment etc. Folosiți numai pânzele de ferăstrău recomandate.

## ÎNȚREȚINEȚI UNELTELE CU GRIJĂ

**Scoateți acumulatorul din unealtă înainte de a efectua orice ajustări, operațiuni de service sau întreținere.**

Păstrați uneltele ascuțite și curate pentru o funcționare mai bună și mai sigură. Urmați instrucțiunile pentru ungerea și schimbarea accesoriilor. Unealta dumneavoastră electrică nu necesită lubrifiere sau întreținere suplimentară. Interiorul unelei electrice nu conține piese care pot fi depanate de către utilizator. Nu utilizați niciodată apă sau agenți chimici de curățare pentru curățarea unelei electrice. Ștergeți unealta cu o cârpă uscată. Depozitați întotdeauna unealta într-un loc uscat. Mențineți fantele de aerisire a motorului curate. Feriți de praf toate comenzile de lucru.

Ștergeți periodic praful și așchile de pe apărătoare și bază

pentru a garanta o performanță adecvată.

## CONSIDERAȚII PRIVIND UNELTELE ALIMENTATE CU ACUMULATOR

Scula și acumulatorul pot fi utilizate și stocate la temperaturi cuprinse între 0°C și 45°C.

Plaja de temperatură ambientală recomandată pentru reîncărcare este cuprinsă între 0°C și 40°C.

## PROTECȚIA MEDIULUI



Produsele electrice nu trebuie depuse la deșeurile împreună cu gunoii menajer. Vă rugăm să depuneți produsele electrice la unitățile de reciclare existente. Consultați-vă cu autoritățile locale sau cu distribuitorul pentru sfaturi privind reciclarea.

## DEPANAREA

Simptom	Cauze posibile	Soluție posibilă
Unealta electrică nu pornește atunci când acționați comutatorul Pornit/Oprit.	Acumulator introdus greșit. Acumulator descărcat.	Asigurați-vă că ați conectat bine acumulatorul. Încărcați acumulatorul.
Adâncimea de tăiere este mai mică decât cea setată.	Rumeguș acumulat în partea posterioară a bazei.	Scuturați rumegușul. Luați în considerare conectarea unui aspirator pentru colectarea prafului.
Discul se învâрте sau alunecă.	Discul nu este fixat bine pe ax.	Îndepărtați discul și montați-l din nou conform instrucțiunilor prezentate în secțiunea Montarea și demontarea discului circular al mașinii.
Discul nu taie în linie dreaptă.	Discul este tocit. Discul nu este montat corespunzător. Mașina nu este ghidată corespunzător.	Montați un disc nou și ascuțiți pe mașină. Verificați dacă discul circular este montat corespunzător. Utilizați un ghidaj paralel.
Discul are recul când se începe o tăietură.	Discul nu se învâрте suficient de repede.	Așteptați până când discul atinge turația maximă înainte de a începe tăierea piesei.

## DECLARAȚIE DE CONFORMITATE

Subsemașia,  
POSITEC Germany GmbH  
Grüner Weg 10, 50825 Cologne, Germany

Declarăm că produsul,  
Descriere **Ferăstrău circular alimentat cu acumulator**  
Tip **WX530 WX530.1 WX530.9 (5- denumire mașină, reprezentând ferăstrăul)**  
Funcție **Tăierea unor diferite materiale cu un disc circular cu dinți**

Respectă următoarele Directive:  
**2006/42/EC, 2014/30/EU,**  
**2011/65/EU&(EU)2015/863**

Se conformează standardelor,  
**EN 62841-1, EN 62841-2-5, EN 55014-1,**

### EN 55014-2

Persoana responsabilă pentru elaborarea fișei tehnice,  
**Nume Marcel Filz**  
**Adresa Positec Germany GmbH Grüner Weg**  
**10, 50825 Cologne, Germany**



2019/5/28  
Allen Ding  
Adjunct Inginer Șef, Testare și certificare  
Positec Technology (China) Co., Ltd  
18, Dongwang Road, Suzhou Industrial Park,  
Jiangsu 215123, P.R. China

# BEZPEČNOST VÝROBKU OBEČNÁ BEZPEČNOSTNÍ UPOZORNĚNÍ PRO ELEKTRICKÉ NÁSTROJE

**!** **VAROVÁNÍ:** Přečtěte si všechna bezpečnostní varování, pokyny, seznamte se s ilustracemi a technickými údaji dodanými s tímto elektrickým nářadím. Nedodržení jakýchkoliv níže uvedených pokynů může mít za následek úraz elektrickým proudem, vznik požáru nebo vážného úrazu.

**Uložte instrukce a veškerou dokumentaci pro budoucí použití.**

Výraz "elektrické ruční nářadí" znamená v upozornění buď na nářadí na elektrický pohon (napájené elektrickou sítí) nebo na akumulátorové nářadí (napájené z akumulátoru).

## 1) BEZPEČNOST NA PRACOVÍŠTI

- Udržujte pracoviště v čistotě a dobře osvětlené.** Pracoviště plné nepotřebných předmětů nebo slabě osvětlené zvyšuje možnost úrazu.
- Nepoužívejte elektrické ruční nářadí v prostředí náchylném na exploze jako například v přítomnosti hořlavých tekutin, plynů nebo prachu.** Elektrické ruční nářadí při práci vytváří jiskry, které mohou vznítit prach nebo výparu.
- Při práci s elektrickým ručním nářadím udržujte děti a přihlížející osoby v dostatečné vzdálenosti.** Ztráta pozornosti může vést ke ztrátě kontroly nad nářadím.

## 2) BEZPEČNOST PŘI PRÁCI S ELEKTRINOU

- Vidlice elektrického ručního nářadí musí být shodného typu jako zásuvky el. sítě. Neměňte vidlici nedovoleným nebo neodborným způsobem, předejete tak možným zraněním nebo úrazu el proudem.** Nepoužívejte spolu s uzemněným ručním nářadím žádné adaptéry, které neumožňují ochranu zemněním.
- Vyhýbejte se kontaktu s uzemněnými povrchy jako například trubkami, radiátory, sporáky a ledničkami.** Je-li vaše tělo spojené s uzemněným předmětem nebo stojí na uzemněné ploše, vzniká zvýšené riziko úrazu elektrickým proudem.
- Nevystavujte ruční nářadí dešti nebo vlhkým podmínkám.** Když se voda dostane pod povrch elektrického ručního nářadí, vzniká zvýšené riziko úrazu elektrickým proudem.
- Nemanipulujte s napájecím kabelem necitlivě. Nikdy si nepřitahujte elektrické ruční nářadí k sobě pomocí kabelu, netahejte je za sebou pomocí kabelu a nevytrhávejte kabel ze**

**zástrčky, abyste ruční nářadí vypnuli.**

Nevystavujte kabel vysokým teplotám, oleji, ostrým hranám nebo kontaktu s pohyblivými díly. Poškozené nebo zamotané kabely mohou vést k zvýšenému riziku úrazu elektrickým proudem.

- Při práci s ručním nářadím v exteriéru použijte prodlužovací kabel vhodný pro použití v exteriéru.** Použijte kabel vhodný pro venkovní prostředí, snížíte tím riziko vzniku úrazu elektrickým proudem.
- Pokud je práce s ručním nářadím ve vlhkých podmínkách nevyhnutelná, použijte napájení chráněné jističem typu proudový chránič (RCD).** Použití RCD jističe redukuje riziko vzniku úrazu elektrickým proudem.

## 3) OSOBNÍ BEZPEČNOST

- Buďte soustředění, sledujte co děláte a při práci s ručním nářadím se řiďte zdravým rozumem. Nepoužívejte ruční nářadí, jste-li navaveni nebo pod vlivem omamných látek, alkoholu nebo léků.** Moment nepozornosti při práci s ručním nářadím může vést k vážnému osobnímu zranění.
- Použijte osobní ochranné pomůcky. Vždy noste ochranu očí.** Ochranné pomůcky jako například proti prachová maska, boty s protiskluzovou podrážkou nebo chrániče sluchu použité v příslušných podmínkách pomáhají redukovat nebezpečí vážného osobního zranění.
- Předcházejte neúmyslnému zapnutí. Ujistěte se, že vypínač je ve vypnuté poloze předtím, než zapojíte nářadí do elektrické sítě a nebo k akumulátoru, rovněž při zvedání nebo nošení nářadí.** Nošení nářadí s prstem na vypínači nebo nářadí pod napětím zvyšuje možnost úrazu.
- Odstraňte jakékoliv nastavovací nebo maticové klíče a šrouby předtím, než zapnete ruční nářadí.** Nastavovací nebo jiný klíč ponechaný na rotující části ručního nářadí může způsobit osobní úraz.
- Nepřečunujte se. Udržujte si stabilitu a pevnou zem pod nohama za každých podmínek.** Umožňuje vám to lepší kontrolu nad ručním nářadím v neočekávaných situacích.
- Pro práci se vhodné oblečte. Nenoste volné oblečení nebo šperky. Své vlasy a volné oblečení držte z dosahu pohyblivých částí.** Volné oblečení, šperky nebo dlouhé vlasy se mohou do pohyblivých částí zachytit.
- Pokud jsou zařízení nastavená na spojení se zařízeními na zachytávání a extrakci prachu, ujistěte se, že jsou tato zařízení správně připojena a použita.** Použitím sběrače prachu redukuje rizika vyvolaná prachem.
- Nedopust'te, abyste díky zkušenostem nabytým častým používáním elektrického nářadí přestali dodržovat základy bezpečného použití.** Neopatrný

úkon může způsobit vážný úraz během zlomku sekundy.

#### 4) POUŽITÍ A ÚDRŽBA RUČNÍHO NÁŘADÍ

##### a) Na ruční nářadí netlačte. Použijte správné ruční nářadí pro danou činnost.

Správné ruční nářadí udělá práci lépe a takovou rychlostí, pro kterou bylo navrženo.

##### b) Nepoužívejte ruční nářadí, pokud správně nefunguje vypínač on/off.

Jakékoliv ruční nářadí, které se nedá ovládat vypínačem, je nebezpečné a musí být opraveno.

##### c) Před jakýmkoliv seřízením, výměnou násad nebo uskladením elektrického nářadí vyjměte síťovou zástrčku ze zásuvky nebo, pokud je to možné, z něj vyjměte akumulátor. Taková preventivní bezpečnostní opatření redukuje riziko náhodného zapnutí ručního nářadí.

##### d) Nepoužívejte-li ruční nářadí, skladujte je mimo dosah dětí a nedovoleným osobám, které nemají zkušenosti s prací s ručním nářadím nebo neznají tyto pokyny, s nářadím pracovat. Ruční nářadí je nebezpečné v rukách neškolené a nezkušené osoby.

##### e) Provádějte pravidelnou údržbu elektrického nářadí a příslušenství. Zkontrolujte chybné připojení nebo spojení pohyblivých částí, zlomené části nebo jiné okolnosti, které by mohly ovlivnit funkčnost ručního nářadí. Je-li nářadí poškozeno, nechte je před novým použitím opravit. Mnoho úrazů vzniká proto, že je elektrické ruční nářadí špatně udržováno.

##### f) Udržujte řezné nástroje ostré a čisté. Správně udržované řezné nástroje s ostrými řezacími hranami jsou méně náchylné na zakousnutí a lépe se ovládají.

##### g) Používejte elektrické nářadí v souladu s těmito pokyny, berte v úvahu pracovní podmínky a druh vykonávané práce. Je-li elektrické nářadí použito na jiné účely, než je určeno, může docházet k nebezpečným situacím.

##### h) Rukojeti a povrchy držadel udržujte suché, čisté, bez maziv a tuků. Kluzké rukojeti a držadla neumožňují bezpečnou manipulaci a obsluhu nářadí v neočekávaných situacích.

#### 5) POUŽITÍ A ÚDRŽBA ELEKTRICKÉHO NÁŘADÍ NAPÁJENÉHO BATERIÍ

##### a) Provádějte nabíjení pouze v nabíječce, která je specifikovaná výrobcem. Nabíječka, která je vhodná pro jeden typ baterie, může při použití jiného typu baterie vytvářet riziko způsobení požáru.

##### b) Při použití nářadí napájeného baterií používejte pouze baterii, která je určena speciálně pro toto nářadí. Použití jakékoli jiné baterie může vytvářet riziko způsobení zranění a požáru.

##### c) Není-li baterie používána, udržujte ji

**v bezpečné vzdálenosti od sponek na papíry, mincí, klíčů, hřebíků, šroubů nebo jiných malých kovových předmětů, které mohou způsobit propojení kontaktů baterie.** Zkratování kontaktů baterie může způsobit popálení nebo požár.

##### d) V náročných podmínkách může docházet k unikům kapaliny z baterie. Vyvarujte se kontaktu s touto kapalinou. Dojde-li k náhodnému kontaktu, opláchněte zasažené místo vodou. Zasáhne-li tato kapalina oči, okamžitě vyhledejte lékařské ošetření. Kapalina unikající z baterie může způsobit podráždění nebo popálení.

##### e) Akumulátor nebo nářadí, které je poškozeno nebo je upravené, nepoužívejte. Poškozené nebo upravené akumulátory mohou mít nepředvídatelné chování s následkem požáru, exploze nebo s nebezpečím úrazu.

##### f) Akumulátor nebo nářadí nevhazujte do ohně nebo je nevystavujte nadměrným teplotám. Při vhození do ohně nebo vystavení teplotě nad 130 °C může dojít k explozi.

##### g) Dodržujte veškeré pokyny pro nabíjení a akumulátor nebo nářadí nenabíjejte mimo teplotní rozsah specifikovaný v tomto návodu. Nesprávné nabíjení, nebo nabíjení při teplotách mimo specifikovaný rozsah může poškodit akumulátor a zvýšit riziko vzniku požáru.

##### 6) SERVIS

##### a) Servisní práce na nářadí nechte provést kvalifikovanými pracovníky za použití originálních náhradních dílů. Výsledkem bude trvalá bezpečnost při práci s elektrickým nářadím.

##### b) Poškozené akumulátory nikdy neopravujte. Servis akumulátorů by měl být prováděn pouze výrobcem nebo autorizovaným servisním zástupcem.

## BEZPEČNOSTNÍ UPOZORNĚNÍ PRO VŠECHNY PILY

### ZACHÁZENÍ S PILOU

a)  **POZOR: Udržujte ruce v dostatečné vzdálenosti od prostoru řezání a pilového kotouče. Držte vaši druhou ruku na pomocné rukojeti nebo na krytu motoru.** Pokud držíte pilu oběma rukama, nemůžete se pořezat o pilový kotouč.

b) **Nesahejte pod řezaný materiál.** Ochranný kryt vás pod řezaným materiálem neochrání před pilovým kotoučem.

c) **Přizpůsobte hloubku řezu tloušťce řezaného materiálu.** Pod řezaným materiálem by zub neměl být viditelný v celé své výšce.

d) **Nikdy nedržte řezaný materiál v rukou**

nebo položený přes nohu. Upevněte řezaný materiál ke stabilní podložce. Je důležité upevnit řezaný materiál důkladně, aby se minimalizovala možnost zranění, zaseknutí pilového kotouče nebo ztráty kontroly.

- e) **Držte ruční elektrické nářadí za odizolované povrchy při práci v podmínkách, kde je možné, že se řezací nástroj dostane do kontaktu se skrytou elektrickou sítí nebo vlastním kabelem.** Kontakt s vodičem pod napětím, může způsobit, že odhalené kovové části elektrického ručního nářadí budou pod napětím a můžou elektrickým šokem zasáhnout uživatele.
- f) **Při rozřezávání vždy používejte doraz nebo vodičko.** Tím vylepšíte přesnost řezu a snížíte nebezpečí deformace pilového kotouče.
- g) **Vždy používejte pilové kotouče se správnou velikostí a tvarem (diamantový nebo kruhový) upínacích otvorů.** Pilové kotouče, jejichž upínací otvory neodpovídají otvorům upevňovacího mechanismu pily, při práci kmitají a způsobují ztrátu kontroly nad nářadím.
- h) **Nikdy nepoužívejte poškozené nebo nevhodné podložky nebo šrouby.** Podložky a šrouby jsou speciálně navrženy pro vaši pilu tak, aby zaručovaly optimální pracovní výkon a bezpečnost práce.

## DALŠÍ BEZPEČNOSTNÍ POKYNY PRO VŠECHNY PILY

### Další bezpečnostní pokyny pro všechny pily

- Zpětný ráz je neočekávaná náhlá reakce na odštípnutí, zaseknutí nebo vychýlení pilového kotouče, které způsobí nekontrolované zvednutí pily z pracovní plochy směrem k uživateli.
  - Pokud je pilový kotouč přiskřípnut nebo pevně sevřen v ukončení zářezu, dojde k uvíznutí kotouče a výkon motoru vymrští nářadí dozadu směrem k uživateli.
  - Pokud se pilový kotouč zkrátí nebo se vychýlí v řezu, mohou se zuby v zadní části kotouče zabořit do povrchu dřeva a způsobit, že pilový kotouč vyjede ze zářezu a vyskočí zpět směrem k uživateli.
- Zpětný ráz je výsledkem nesprávného používání pily a/nebo špatných pracovních postupů a podmínek. Můžete mu předejít zohledněním níže uvedených bezpečnostních opatření.
- a) **Pilu držte pevně oběma rukama v takové poloze, abyste odolali silám zpětného rázu. Postavte se tělem na jednu nebo druhou stranu pilového kotouče. Nikdy nestůjte v jedné přímce s kotoučem.** Zpětný ráz může způsobit, že pilový kotouč vyskočí směrem zpátky. Pokud jsou však zohledněna příslušná bezpečnostní opatření, mohou být síly zpětných rázů uživatelem zmírněny.
- b) **Pokud se pilový kotouč zasekne nebo**

- přeruší řez z jakýchkoliv důvodů, uvolněte spínač a držte pilu nehybně v materiálu, dokud se pilový kotouč nezastaví. Nikdy se nepokoušejte vytáhnout pilu z řezu nebo ji tlačit směrem vzad, jestliže se pilový kotouč otáčí. Mohlo by dojít ke zpětnému rázu.** Dbejte zvýšené opatrnosti a dodržujte správný postup řezání, abyste předešli zaseknutí pilového kotouče.
- c) **Při spouštění pily v řezu umístěte pilový kotouč doprostřed řezu a zkontrolujte, zda zuby pily nejsou ve styku s materiálem.** Pokud se pilový kotouč zasekne, může při opětovném spuštění pily vyjet nahoru nebo vyskočit z řezaného materiálu.
- d) **Podložte velké kusy materiálu tak, abyste předešli nebezpečí sevření pilového kotouče a vzniku zpětného rázu.** Velké kusy materiálu mají tendenci prohýbat se vlastní vahou. Podpěry musí být umístěny na obou stranách blízko linie řezu a blízko okraje materiálu.
- e) **Nepoužívejte tupé nebo poškozené pilové kotouče.** Nenaostřené nebo nesprávně nainstalované pilové kotouče provádí úzký řez, který vytváří nadměrné tření a zvyšuje nebezpečí zaseknutí pilového kotouče nebo vzniku zpětného rázu.
- f) **Před provedením řezu musí být nastavení hloubky řezu a sklonu pilového kotouče zaaretováno příslušnými páčkami.** Pokud se nastavení pilového kotouče během řezu změní, může dojít k jeho zaseknutí a zpětnému rázu.
- g) **Při řezání ve stěnách a neznámých místech je třeba dbát zvláštní opatrnosti.** Pilový kotouč může narazit na předměty, které mohou způsobit zpětný ráz.

## BEZPEČNOSTÍ POKYNY PRO OKRUŽNÍ PILU SE SPODNÍM OCHRANNÝM KRYTEM

### FUNKCE DOLNÍHO CHRÁNIČE

- a) **Zkontrolujte správné uzavření spodního ochranného krytu před každým použitím. Nepracujte s pilou, pokud se spodní ochranný kryt nepohybuje volně a neuzavírá se okamžitě. Nikdy nezaklapujte nebo nesvazujte spodní ochranu do otevřené pozice.** Pokud pilu náhodou upustíte, spodní ochrana se může ohnout. Zvedněte spodní ochranný kryt stahovací rukojetí a ujistěte se, že se pohybuje volně a nedotýká se kotouče nebo žádných jiných částí.
- b) **Zkontrolujte funkčnost pružiny spodního ochranného krytu. Pokud ochrana a zřizna nefungují správně, musí být před použitím opraveny.** Spodní ochranný kryt může pracovat pomalu kvůli poškozeným částem,

lepivým usazeninám nebo usazeným pilinám a odpadu.

- c) **Spodní kryt může být vysunutý manuálně pouze pro speciální řezy jako například vybrané a složené řezy. Zvedněte spodní ochranný kryt stahovací rukojetí, ve chvíli, kdy se kotouč zařizne do materiálu, a kryt uvolněte. Tuto práci smí provádět pouze zkušena obsluha z důvodů bezpečnosti a ochrany zdraví uživatele.** Primárně je pila konstruována pro použití s automatickou funkcí spodního ochranného krytu. Pokud obsluha otevře kryt kotouče manuálně, přebírá zodpovědnost za možné následky.
- d) **Před odložením pily na podlahu vždy zkontrolujte, jestli spodní ochranný kryt zakrývá kotouč.** Nechráněný kotouč běžící setrvačností může způsobit zpětný ráz pily a řezání do všeho, co je v jeho okolí. Při práci počítejte s dobou doběhu kotouče po vypnutí přepínače.

## DALŠÍ BEZPEČNOSTNÍ POKYNY PRO ŘEZY EXACTRACK™

- a) **Spodní kryt může být ručně zasunut pouze při provádění řezů EXACTRACK™. Rukojetí spodního ochranného krytu tento kryt zvedněte, a jakmile se kotouč zařizne do materiálu, spodní kryt uvolněte.** U všech ostatních řezů bude spodní kryt pracovat automaticky.
- b) **Při provádění řezů EXACTRACK™ může být spoušť stlačena pouze tehdy, když se kotouč dostane do kontaktu s opracovávaným materiálem.**

## ZVLÁŠTNÍ BEZPEČNOSTNÍ UPOZORNĚNÍ PRO OKRUŽNÍ PILU

1. Používejte pouze řezné kotouče doporučené výrobcem, které odpovídají normě EN 847-1, pokud jsou určeny pro dřevo a podobné materiály.
2. Nepoužívejte žádné abrazivní kotouče.
3. Pilové kotouče musí mít průměr odpovídající příslušnému značení.
4. Pro řezaný materiál používejte vhodné řezné kotouče.
5. Používejte pouze řezné kotouče, které jsou označeny rychlostním indexem, který je shodný nebo vyšší, než rychlostní index vyznačený na nářadí.

## BEZPEČNOSTNÍ VAROVÁNÍ TÝKAJÍCÍ SE BATERIÍ

- a) **Nepokoušejte se demontovat, rozebírat nebo rozřezávat baterie nebo její články.**
- b) **Neprovádějte zkratování baterie. Neukládejte baterie nahodile v krabicích nebo v zásuvkách, kde by mohlo dojít k jejich vzájemnému zkratování nebo k zkratování způsobenému jinými předměty.** Není-li baterie používána, udržujte ji v bezpečné vzdálenosti od sponek na papíry, minci, klíčů, hřebíků, šroubů nebo jiných malých kovových předmětů, které mohou způsobit propojení kontaktů baterie. Zkratování kontaktů baterie může způsobit popáleniny nebo požár.
- c) **Nevstavujte baterii působení horka nebo ohně. Vyvarujte se skladování baterií na otevřeném slunci.**
- d) **Nevstavujte baterii mechanickým rázům.**
- e) **Dojde-li k úniku kapaliny z baterie, zabraňte tomu, aby se tato kapalina dostala do kontaktu s pokožkou nebo aby zasáhla oči. Dojde-li k takovému kontaktu, zasažené místo omyjte značným množstvím vody a vyhledejte lékařské ošetření.**
- f) **Dojde-li k požití kapaliny z baterie, vyhledejte okamžitě lékařské ošetření.**
- g) **Udržujte baterie čisté a suché.**
- h) **Jsou-li svorky baterie znečištěny, otřete je čistým a suchým hadříkem.**
- i) **Baterie musí být před použitím nabita. Vždy postupujte podle uvedených pokynů a používejte správný postup nabíjení.**
- j) **Nenechávejte baterii nabíjet, nebude-li baterie použita.**
- k) **Po dlouhodobém uložení budete možná muset provést několik cyklů nabíjení a vybijení, aby baterie dosáhla svého maximálního výkonu.**
- l) **Baterie poskytuje nejvyšší výkon, je-li používána při běžné pokojové teplotě (20 °C ± 5 °C).**
- m) **Při likvidaci baterií oddělte od sebe baterie s odlišnými elektrochemickými systémy.**
- n) **Provádějte nabíjení pouze v nabíječce, která je specifikovaná společností WORX. Nepoužívejte jinou nabíječku, než je nabíječka speciálně dodaná pro použití s tímto zařízením.** Nabíječka, která je vhodná pro jeden typ baterie, může při použití jiného typu baterie vytvářet riziko způsobení požáru.
- o) **Nepoužívejte žádnou baterii, která není určena pro použití s tímto zařízením.**
- p) **Ukládejte baterie mimo dosah dětí.**
- q) **Uchovejte originální dokumentaci k tomuto výrobku pro budoucí odkazy.**
- r) **Není-li zařízení používáno, vyjměte z něj baterii.**
- s) **Provádějte řádnou likvidaci baterie.**
- t) **V zařízení nekombinujte bateriové články různého data výroby, kapacity, velikosti**

nebo typu.

- u) **Nevyjímejte baterii z originálního obalu dřívě, než bude použita.**
- v) **Dodržujte polaritu vložených baterií plus (+) a minus (-) a zajistěte používání baterií správným způsobem.**

## SYMBOLY

	Pro snížení nebezpečí vzniku zranění je třeba přečíst si tuto příručku!
	Varování
	Použijte ochranu uší
	Použijte ochranu očí
	Použijte respirátor
	Nevystavujte dešti nebo vodě
	Nevystavujte ohni
	Baterie neodhazujte do komunálního odpadu. Odevzdejte je do sběren pro likvidaci (recyklaci) speciálního odpadu.
	Před výměnou příslušenství nebo před prováděním jakékoliv úpravy nástroje se ujistěte, zda je vyjmuta baterie.
	Používejte ochranné rukavice

	Dřevo
	Kotouč s karbidovým ozubením
	Zamknout
	Odemknout
	Vysloužilé elektrické přístroje nevyhazujte společně s domovním odpadem. Nářadí recyklujte ve sběrnách k tomu účelu zřízených. O možnostech recyklace se informujte na místních úřadech nebo u prodejce.

## SEZNAM KOMPONENTŮ

1. **BEZPEČNOSTNÍ TLAČÍTKO**
2. **VYPÍNAČ**
3. **PŘEDNÍ RUKOJEŤ**
4. **ZNAČKA ÚHLOVÉHO ŘEZU, 0°**
5. **ZNAČKA ÚHLOVÉHO ŘEZU, 45°**
6. **ZÁKLADNÍ DESKA**
7. **ARETACE NÁKLONU ZÁKLADNÍ DESKY**
8. **STUPNICE ÚHLŮ ZÁKLADNÍ DESKY**
9. **INBUSOVÝ KLÍČ**
10. **BATERIE\***
11. **UVOLŇOVACÍ TLAČÍTKO BATERIOVÉHO BLOKU\***
12. **PEVNÝ OCHRANNÝ KRYT**
13. **VÝSTUP ODSÁVÁNÍ PRACHU**
14. **PÁČKA DOLNÍHO CHRÁNIČE**
15. **EXACTRACK™ PŘÍDAVNÁ DESKA**
16. **ŘEZNÝ KOTOUČ**
17. **VNĚJŠÍ PŘÍRUBA**
18. **ŠROUB ŘEZNÉHO KOTOUČE**
19. **PÁČKA DOLNÍHO CHRÁNIČE**

## 20. HRÍDEL

## 21. VNITŘNÍ PŘÍRUBA

## 22. STUPNICE HLOUBKY ŘEZU (Viz Obr. E)

## 23. POJISTNÁ RUKOJEŤ HLOUBKY ŘEZU (Viz Obr. E)

## 24. PŘEPÍNAČÍ PÁČKA (Viz Obr. E)

## 25. KNOFLÍK NA ZABLOKOVÁNÍ VŘETENA (Viz Obr. K2)

\* Standardní dodávka nemusí obsahovat všechno zobrazené či popsané příslušenství.

# TECHNICKÉ ÚDAJE

Typ **WX530 WX530.1 WX530.9 (5- označení stroje, zástupce pily)**

	WX530	WX530.1	WX530.9
Jmenovité napájecí napětí	20 V  Max**		
Žádná (jmenovitá) rychlost načítání	4900/min		
Velikost kotouče	165 mm		
Průměr středového otvoru	20 mm		
Řezná kapacita			
Hloubka řezu při 45°	39 mm		
Hloubka řezu při 90°	55 mm		
Možnost náklonu	0-50°		
Hmotnost(bez vloženého akumulátoru)	2.3 kg		

\*\*Napětí měřené bez zátěže. Počáteční napětí baterie dosáhne maximálně 20voltů. Jmenovité napětí je 18voltů.

# INFORMACE TÝKAJÍCÍ SE HLUČNOSTI

Naměřený akustický tlak	$L_{pA} = 82.8 \text{ dB(A)}$
Naměřený akustický tlak	$L_{WA} = 93.8 \text{ dB(A)}$
$K_{pA} \& K_{WA}$	3 dB(A)

Používejte ochranu sluchu.



# INFORMACE O VIBRACÍCH

Celkové hodnoty vibrací (trojosé nebo vektorové součtové měření) stanovené v souladu s EN 62841:

Hodnota vibračních emisí:	Řezání dřeva: $a_{n,w} = 6.572 \text{ m/s}^2$
	Kolísání $K = 1.5 \text{ m/s}^2$

Deklarována celková hodnota vibrací a deklarovaná úroveň vytvářeného hluku byly měřeny v souladu se standardními zkušebními postupy a lze je použít při srovnání jednotlivých nářadí mezi sebou. Deklarovaná celková hodnota vibrací a deklarovaná úroveň vytvářeného hluku mohou být také použity k předběžnému stanovení doby práce s nářadím.

**VAROVÁNÍ:** Vibrace a hlučnost při aktuálním použití elektrického nářadí se od deklarovaných hodnot mohou lišit v závislosti na způsobu, jakým je nářadí použito, zejména pak na typu zpracovávaného obrobku podle následujících příkladů a na dalších způsobech, jakými je nářadí používáno:

Jak je nářadí používáno a jaké materiály budou řezány nebo vrtány.

Nářadí musí být v dobrém stavu a musí být prováděna jeho řádná údržba.

S nářadím musí být používáno správné příslušenství, a toto příslušenství musí být ostré a v dobrém stavu.

Pevnost uchopení rukojetí a zda je použito jakékoli příslušenství snižující úroveň vibrací a hluku.

Toto nářadí může být použito pouze pro určené účely a podle těchto pokynů.

**Není-li toto nářadí používáno odpovídajícím způsobem, může způsobit syndrom nemoci způsobené působením vibrací na ruce a paže obsluhy.**

**VAROVÁNÍ:** Chcete-li být přesní, odhad doby působení vibrací v aktuálních podmínkách při použití tohoto nářadí by měl brát v úvahu také všechny části pracovního cyklu, jako jsou doby, kdy je nářadí vypnuto a kdy je v chodu ve volnoběžných otáčkách, ale ve skutečnosti neprovádí žádnou práci. Doba působení vibrací tak může být během celkové pracovní doby značně zkrácena.

Pomáhá minimalizovat riziko působení vibrací a hluku. VŽDY používejte ostré sekáče, vrtáky a nože.

Provádějte údržbu tohoto nářadí podle těchto pokynů a zajistíte jeho řádné mazání (je-li to vhodné).

Pokud bude nářadí používáno pravidelně, pak investujte do příslušenství snižujícího úroveň vibrací a hluku.

Vypracujte si svůj plán práce, abyste působení vysokých vibrací tohoto nářadí rozdělily do několika dnů.

# PŘÍSLUŠENSTVÍ

	WX530	WX530.1	WX530.9
Kotouč s karbidovým ozubením	1	1	1
Adaptér odsávání prachu	1	1	1
Imbusový klíč	1	1	1
Baterie (WA3551.1)	1	/	/
Acumulátor (WA3553)	/	1	/
Nabíječka (WA3860)	1	1	/

Doporučujeme vám, abyste si příslušenství zakoupili ve stejné prodejně, ve které jste pořídili i vaše nářadí. Podrobné informace najdete na obalu příslušenství. Případně se obraťte na vašeho prodejce se žádostí o radu a pomoc.

## NÁVOD NA POUŽITÍ



**POZNÁMKA:** Předtím než začnete nářadí používat, přečtěte si pečlivě manuál.

### ÚČEL POUŽITÍ

Nářadí je určeno k provádění podélných a příčných přímých řezů do dřeva a jiných materiálů, přičemž dobu řezu pevně spočívá na obrobku.

## SESTAVENÍ A POUŽÍVÁNÍ

POSTUP	POSTAVA
<b>PŘED ZAHÁJENÍM PRÁCE</b>	
Vložení/vyjmutí akumulátoru	Viz Obr. A1
Nabíjení baterie	Viz Obr. A2
Kontrola stavu nabití baterie (pouze pro WX530.1)	Viz obr. A3
<b>SESTAVENÍ</b>	
Nasazení a sejmутí řezný kotouč <b>Poznámka: Při zajištění nebo uvolnění šroubu čepele je nutné stisknout tlačítko zámku hřídele.</b> <b>VÝSTRAHA:</b> Před výměnou pilového kotouče vždy z nářadí vyjměte baterii!	Viz Obr. B
Uložení imbusového klíče	Viz Obr. C
<b>POUŽITÍ</b>	

Bezpečnostní spínač zapnuto/vypnuto <b>VAROVÁNÍ:</b> Abyste se vyvarovali úrazu ostřím kotouče, nevklaďte ruce do oblasti základní desky. <b>POZNÁMKA:</b> Při použití nástroje připojte adaptér prachu ke sběrači prachu.	Viz Obr. D
Nastavení hloubky řezu	Viz Obr. E
Vodítko řezu	Viz Obr. F
Úhlové řезы <b>POZNÁMKA: Úhlové řезы nelze provádět v režimu EXACTRACK™.</b>	Viz Obr. G
Odstraňování pilin	Viz Obr. H

### EXACTRACK™

#### Co znamená EXACTRACK™?

EXACTRACK™ je inovativní funkce, která vám pomůže učinit přímý řez snadněji tak, že držíte řezný kotouč srovnán s vodítkem řezu.

### Bezpečnostní pokyny



**VAROVÁNÍ: Řezný kotouč je ostrý.**

**Používejte ochranné rukavice.**

**Ruce držte mimo oblast spodního krytu kotouče, pokud je tento kryt otevřen.**

### Provozní rozsah EXACTRACK™

- S funkcí EXACTRACK™ lze pracovat v rozsahu hloubky řezu 0 ~ 43 mm. (Viz Obr. I)
- Funkci EXACTRACK™ lze použít pouze u 90 stupňových řezů, tuto funkci není možné použít u pokosových řezů s libovolným stupněm sklonu.

### Před zahájením práce



**VAROVÁNÍ: Před prováděním jakéhokoliv nastavení, vyjměte z nářadí akumulátor a odložte jej v blízkosti pily.**

- Nastavte požadovanou hloubku řezu (v rozsahu 0 ~ 43 mm). (Viz Obr. I)
- Páčku přepněte na režim EXACTRACK™. (Viz Obr. J)
- Na obrobku si vyznačte požadovanou linii řezu, poté k obrobku upevněte vodítko řezu (není součástí dodávky) tak, aby hranou přiléhalo přímo k vyznačené linii řezu. Délka vodítka řezu by měla po obou koncích přesahovat obrobek o 230 mm. (Viz Obr. K1)
- Umístěte dílčí část základní desky EXACTRACK™ (červená část) v horní části vodítka řezu (není součástí dodávky), a zajistěte, aby byla hlavní základní deska posazena na obrobku. (Viz Obr. K2)
- Ručně otevřete spodní ochranný kryt (**VAROVÁNÍ: Ruce držte z dosahu řezného kotouče**), přitlačte pilu stranou k vodítku řezu a pak uvolněte ruku ze spodního ochranného krytu kotouče. (Viz Obr. K3)

### Použití

- Nasazení baterie.

2. Pevně držte pilu oběma rukama a ujistěte se, že základní deska při provádění řezu pevně přiléhá k vodítku řezu (není součástí dodávky). (Viz Obr. K4)
3. Spustíte pilu a začnete řezat. (Viz Obr. K5)

### Režim STANDARD

Pro přímé řезы v 90 stupních nebo úhlové řезы (vypnuta funkce EXACTRACK™) otočte páku do režimu STANDARD a potom můžete nářadí používat jako standardní kotoučovou pilu. (Viz Obr. L)  
Režim STANDARD lze používat pro hloubky řезů 0 ~ 55 mm (90 stupňů), 0 ~ 39 mm (45 stupňů).

Informace o výrobku naleznete na adrese [www.worx.com](http://www.worx.com) a shlédněte video How To (Jak na to).



Pro zajištění správného fungování pravidelně očišťujte prach a piliny z chrániče a základny.

### PRO AKUMULÁTOROVÁ NÁŘADÍ

Rozsah okolních teplot pro použití a skladování nářadí a akumulátoru je 0°C- 45°C.

Doporučený rozsah okolní teploty pro nabíjecí systém v průběhu nabíjení je 0°C- 40°C.

## OCHRANA ŽIVOTNÍHO PROSTŘEDÍ



Vysloužilé elektrické přístroje nevyhazujte společně s domovním odpadem. Nářadí recyklujte ve sběrnách k tomu účelu zřízených. O možnostech recyklace se informujte na místních úřadech nebo u prodejce.

## TIPY PRO PRÁCI S NÁSTROJEM

Je-li vaše nářadí příliš horké, nechejte kotoučovou pilu v chodu bez zátěže asi 2 až 3 minuty, aby došlo k vychladnutí motoru. Zabraňte dlouhodobému používání při velmi nízkých rychlostech.

Pilové kotouče chraňte před nárazem a pádem. Na nářadí příliš netlačte. Použijte mírný a trvalý přítlak, abyste předešli přehřátí hrotů řezného kotouče.

Nadměrné podávání značně snižuje výkon nástroje a zkracuje životnost řezného kotouče. Řezací výkon a kvalita závisí především na stavu a počtu zubů kotouče. Z tohoto důvodu používejte pouze ostré pilové kotouče, které jsou vhodné pro používaný materiál.

Výběr kotoučů: 24 zubů pro běžnou práci, cca 40 zubů pro jemnější řezání, více než 40 zubů pro velmi jemné řezání jemných povrchů, diamant na obkládačky, cementopískové desky atd.

Používejte pouze doporučené řezací kotouče.

## PROVÁDĚJTE PEČLIVOU ÚDRŽBU NÁSTROJŮ

**Před prováděním jakéhokoliv nastavení, oprav nebo údržby, vyjměte z nářadí akumulátor.**

Udržujte nástroje ostré a čisté pro lepší a bezpečnější používání. Dodržujte pokyny pro mazání a výměnu příslušenství. Tento elektrický nástroj nevyžaduje dodatečné mazání ani údržbu. Tento elektrický nástroj neobsahuje žádné součásti, které by si mohl uživatel opravit vlastními silami. Tento elektrický nástroj nikdy nečistěte vodou ani chemickými čističi. Oťete do sucha suchým hadříkem. Tento elektrický nástroj uchovávejte vždy na suchém místě. Udržujte větrací otvory motoru čisté. Odstraňujte prach ze všech funkčních ovládacích prvků.

# ODSTRAŇOVÁNÍ ZÁVAD

<b>Příznak</b>	<b>Možné příčiny</b>	<b>Možné řešení</b>
Nástroj nelze zapnout vypínačem.	Baterie není správně připojena. Baterie je vybitá.	Ujistěte se, zda je baterie v místě uložení v nářadí baterie správně připojena. Nabijte baterii Požádejte o výměnu kvalifikovaného technika.
Hloubka řezu je menší než nastavená hloubka.	V zadní části základny se nashromáždily piliny.	Vyklepte piliny. Zvažte připojení vysavače pro odsávání pilin.
Kotouč se protáčí	Kotouč se nedotýká pevně větene.	Sejměte kotouč a znovu jej nasaďte podle pokynů v části <b>Nasazení a sejmutí řezacího kotouče.</b>
Kotouč neřeže rovně.	Kotouč je tupý. Kotouč není nasazen správně. Pila není držena správně.	Nasaďte do pily nový a ostrý kotouč. Zkontrolujte, zda je kotouč řádně nasazen. Používejte rovnoběžné vodičko.
Kotouč způsobuje zpětný ráz na začátku řezání.	Kotouč se neotáčí dostatečně rychle.	Než začnete řezat, nechte pilový kotouč zcela roztočit.

## PROHLÁŠENÍ O SHODĚ

My,  
POSITEC Germany GmbH  
Grüner Weg 10, 50825 Cologne, Germany

Prohlašujeme, že produkt  
Popis **Kotoučová pila napájená baterií**  
Typ **WX530 WX530.1 WX530.9 (5- označení stroje, zástupce pily)**  
Funkce **Řezání různých materiálů ozubeným řezacím kotoučem**

Splňuje následující směrnice:  
**2006/42/EC, 2014/30/EU,**  
**2011/65/EU&(EU)2015/863**

Splňované normy  
**EN 62841-1, EN 62841-2-5, EN 55014-1,**  
**EN 55014-2**

Osoba oprávněná uspořádat technický soubor,  
**Název Marcel Filz**  
**Adresa Positec Germany GmbH Grüner Weg**  
**10, 50825 Cologne, Germany**



95

2019/5/28  
Allen Ding  
Zástupce vrchní konstrukční kanceláře,  
Testování & Certifikace  
Positec Technology (China) Co., Ltd  
18, Dongwang Road, Suzhou Industrial Park,  
Jiangsu 215123, P.R. China

# BEZPEČNOSŤ VÝROBKU VŠEOBECNÉ BEZPEČNOSTNÉ UPOZORNENIA

 **WARNING: Read all safety warnings, instructions, illustrations and specifications provided with this power tool.**

Failure to follow all instructions listed below may result in electric shock, fire and/or serious injury.

**Save all warnings and instructions for future reference.**

The term "power tool" in the warnings refers to your mains-operated (corded) power tool or battery-operated (cordless) power tool.

## 1) BEZPEČNOSŤ NA PRACOVISKU

- a) **Udržujte pracovisko čisté a dobre osvetlené.** Pracovisko plné nepotrebných predmetov alebo slabo osvetlené zvyšuje možnosť úrazu.
  - b) **Nepoužívajte elektrické ručné náradie v prostredí náchylnom na explóziu, ako napríklad v prítomnosti horľavých tekutín, plynov alebo prachu.** Elektrické ručné náradie vytvára iskry, ktoré môžu vznietiť prach alebo výpary.
  - c) **Udržujte deti a prizerajúcich sa v dostatočnej vzdialenosti pri práci s elektrickým ručným náradím.** Strata pozornosti môže viesť k strate kontroly nad náradím.
- ## 2) BEZPEČNOSŤ PRI PRÁCI S ELEKTRINOU
- a) **Prípojky elektrického ručného náradia musia byť zhodné so zástrčkami. Nemodifikujte prípojku žiadnym spôsobom. Nepoužívajte spolu s uzemneným ručným náradím žiadne adaptérové prípojky, ktoré neumožňujú ochranu uzemnením.** Pôvodné prípojky a k nim prislúchajúce zástrčky znižujú riziko úrazu elektrickým prúdom.
  - b) **Vyhýbajte sa kontaktu s uzemnenými povrchmi, ako napríklad rúrkami, radiátormi, sporákmi a chladničkami.** Keď je vaše telo spojené s uzemneným predmetom alebo stojí na uzemnenom území, je zvýšené riziko elektrického šoku.
  - c) **Nevystavujte ručné náradie dažďu alebo vlhkým podmienkam.** Keď sa voda dostane pod povrch elektrického ručného náradia, je zvýšené riziko elektrického šoku.
  - d) **Nezaobchádzajte s káblom prípojky necitlivo. Nikdy si neprít'ahujte elektrické ručné náradie k sebe pomocou kábla, neť'ahajte ho za sebou pomocou kábla a nevytrhávajte kábel zo zástrčky aby ste ručné náradie vyplí.** Nevystavujte kábel vysokým teplotám, oleju, ostrým hranami alebo pohyblivým časťami. Poškodené alebo zamotané káble môžu viesť k zvýšenému riziku elektrického šoku.
  - e) **Pri práci s ručným náradím v exteriéri**

**použite predĺžovací kábel vhodný na použitie v exteriéri.** Použitím kábla vhodného na použitie v exteriéri redukuje riziko vzniku elektrického šoku.

- f) **Pokiaľ je práca s ručným náradím vo vlhkých podmienkach nevyhnutná, použite napájanie chránené ističom typu prúdový chránič (RCD).** Použitie RCD ističa redukuje riziko vzniku elektrického šoku.
- ## 3) OSOBNÁ BEZPEČNOSŤ
- a) **Buďte sústredení, sledujte, čo robíte, a pri práci s ručným náradím sa riad'te zdravým rozumom. Nepoužívajte ručné náradie, keď ste unavení alebo pod vplyvom omamných látok, alkoholu alebo liekov.** Moment nepozornosti pri práci s ručným náradím môže viesť k vážnemu osobnému zraneniu.
  - b) **Použite osobné ochranné pomôcky. Vždy noszte ochranu očí.** Ochranné pomôcky, ako napríklad protiprachová maska, topánky s protišmykovou podrážkou alebo chrániče sluchu použité v príslušných podmienkach pomáhajú redukovať vážne osobné zranenia.
  - c) **Predíd'te neúmyselnému zapnutiu. Uistite sa, že prepínač je vo vypnutej pozícii, pred tým, než zapojíte náradie do elektriny a/alebo k akumulátoru, pri zdvihnutí alebo nosení náradia.** Nosenie náradia s prstom na prepínači alebo aktívneho náradia, ktoré je zapnuté, zvyšuje možnosť úrazu.
  - d) **Odstráňte akékoľvek nastavovacie kľúče alebo kľúče na matice a skrutky pred tým, než zapnete ručné náradie.** Nastavovací alebo iný kľúč ponechaný pripiepený na rotujúcej časti ručného náradia môže spôsobiť osobný úraz.
  - e) **Neprečunujte sa. Udržujte si stabilitu a pevnú zem pod nohami za každých podmienok.** Umožňuje vám to lepšiu kontrolu nad ručným náradím v neočakávaných situáciách.
  - f) **Oblečte sa náležite. Nenoste voľné oblečenie alebo šperky. Udržujte svoje vlasy, oblečenie a rukavice vzdialené od pohyblivých častí.** Voľné oblečenie, šperky alebo dlhé vlasy sa môžu do pohyblivých častí zachytiť.
  - g) **Pokiaľ sú zariadenia nastavené na spojenie so zariadeniami na zachytávanie a extrakciu prachu, uistite sa, že sú náležite využité a pripojené.** Použitím zberača prachu redukuje riziká spojené s prachom.
  - h) **Nedovoľte, aby ste vďaka skúsenostiam získaným častým používaním elektrického náradia prestali dodržiavať základy bezpečného použitia.** Neopatrný úkon môže spôsobiť vážny úraz v priebehu zlomku sekundy.
- ## 4) POUŽITIE A ÚDRŽBA RUČNÉHO NÁRADIA
- a) **Nepret'azujte ručné náradie. Použite správne ručné náradie na danú činnosť.** Správne ručné náradie spraví prácu lepšie a v medziach, na ktoré bolo navrhnuté.
  - b) **Nepoužívajte ručné náradie, pokiaľ sa prepínač neprepína medzi zapnutím a**

**vyvnutím.** Akékoľvek ručné náradie, ktoré nie je kontrolovateľné prepínačom, je nebezpečné a musí byť opravené.

- c) Odpojte pripojku ručného náradia od zdroja energie a/alebo akumulátora pred tým, než začnete robiť akékoľvek úpravy, vymieňať doplnky alebo uskladňovať ručné náradie.**

Takéto preventívne bezpečnostné opatrenia redukovujú riziko náhodného zapnutia ručného náradia.

- d) Keď ručné náradie nepoužívate, skladujte ho mimo dosahu detí a nedovoľte osobám, ktoré nemajú skúsenosti s prácou s ručným náradím alebo neboli oboznámené s týmito inštrukciami, dotýkať sa náradia.** Ručné náradie je nebezpečné v rukách netrénovanej osoby.

- e) Udržba ručného náradia. Skontrolujte chybné pripojenia alebo spojenia pohyblivých častí, zlomené časti alebo iné okolnosti, ktoré by mohli ovplyvniť funkčnosť ručného náradia.** Pri poškodení musí byť pred použitím najprv elektrické ručné náradie opravené. Mnoho úrazov vzniká preto, že je elektrické ručné náradie zle udržiavané.

- f) Udržujte rezacie nástroje ostré a čisté.** Náležite udržiavané rezacie nástroje s ostrými rezacími hranami sú menej náchylné na „zaseknutie“ a sú ľahšie ovládateľné.

- g) Používajte elektrické náradie v súlade týmito pokynmi, berte pritom do úvahy pracovné podmienky a druh vykonávanej práce.** Ak sa elektrické náradie použije na iné účely, než na čo je určené, môže dochádzať k nebezpečným situáciám.

- h) Rukoväť a povrchy držiadiel udržiajte suché, čisté, bez mazív a tukov.** Šmyklavé rukoväte a držiadla neumožňujú bezpečnú manipuláciu a obsluhu náradia v neočakávaných situáciách.

## 5) POUŽÍVANIE A STAROSTLIVOSŤ O BATÉRIOVÉ ELEKTRICKÉ NÁRADIE

- a) Nabíjajte iba nabíjačkou určenou výrobcom.** Nabíjačka, ktorá je vhodná na jeden typ bloku batérií, môže pri použití s iným typom batérií spôsobiť požiar.

- b) Elektrické náradie používajte iba s určeným typom bloku batérií.** Použitie akéhokoľvek iného typu batérií môže zvýšiť riziko zranenia a požiaru.

- c) Ak sa blok batérií nepoužíva, neukladajte ho do blízkosti iných kovových predmetov, ako sú sponky na papier, mince, klíče, klince, skrutky alebo iné drobné kovové predmety, ktoré by mohli skrátovať kontakty.** Skrátovanie kontaktov batérie môže viesť k popáleninám alebo vzniku požiaru.

- d) Pri nesprávnom použití môže z batérie vystreknúť kvapalina; vyhýbajte sa styku s ňou. Ak dôjde k styku kvapaliny s pokožkou, opláchnite zasiahnuté miesto vodou.** Ak sa kvapalina dostane do očí, ihneď vyhľadajte lekársku pomoc. Kvapalina, ktorá

uniká z batérie, môže spôsobiť podráždenie a poleptanie.

- e) Akumulátor alebo náradie, ktoré je poškodené alebo upravené, nepoužívajte.** Poškodené alebo upravené akumulátory môžu mať nepredvídateľné chovanie s následkom požiaru, explózie alebo s nebezpečenstvom úrazu.
- f) Akumulátor alebo náradie nevhadzujte do ohňa alebo ho nevystavujte nadmerným teplotám.** Pri vhození do ohňa alebo vystavení teploty nad 130 ° C môže dôjsť k explózii.
- g) Dodržiavajte všetky pokyny pre nabíjanie a akumulátor alebo náradie nenabíjajte mimo teplotný rozsah špecifikovaný v tomto návode.** Nesprávne nabíjanie alebo nabíjanie pri teplotách mimo špecifikovaný rozsah môže poškodiť akumulátor a zvýšiť riziko požiaru.
- 6) SERVIS**
- a) Servisné práce na náradí nechajte vykonať kvalifikovaných pracovníkov s použitím originálnych náhradných dielov.** Výsledkom bude trvalá bezpečnosť pri práci s elektrickým náradím.
- b) Poškodené akumulátory nikdy neopravujte.** Servis akumulátorov by mal byť prevedený iba výrobcom alebo autorizovaným servisným zástupcom.

# BEZPEČNOSTNÉ POKYNY PRE VŠETKY PÍLY

## PÍLENIE

- a)  POZOR: Udržujte ruky v dostatočnej vzdialenosti od priestoru rezania a pilového kotúča. Držte svoju druhú ruku na pomocnej rukoväti alebo na kryte motora. Ak držíte pílu oboma rukami, nemôžete sa poretzť o pilový kotúč.**
- b) Nesiahajte pod rezaný materiál.** Ochranný kryt vás pod rezaným materiálom neochráni pred pilovým kotúčom.
- c) Prispôbte hĺbku rezu hrúbke rezaného materiálu.** Pod rezaným materiálom by zub nemal byť viditeľný v celej svojej výške.
- d) Nikdy nedržte rezaný materiál v rukách alebo položený cez nohu. Upevnite rezaný materiál k stabilnej podložke.** Je dôležité upevniť rezaný materiál dôkladne, aby sa minimalizovala možnosť zranenia, zaseknutia pilového kotúča alebo straty kontroly.
- e) Pri práci v miestach, kde môže dôjsť ku kontaktu rezacieho náradia so skrytým elektrickým vedením alebo s vlastným napájacím káblom, držte pílu za izolované časti rukoväti.** Kontakt s vodičom pod napätím môže preniesť prúd do nechránených kovových častí elektrického náradia a spôsobiť úraz elektrickým prúdom.
- f) Pri rozrezávaní vždy používajte doraz**

**alebo vodidlo.** Tým vylepšíte presnosť rezu a znížite nebezpečenstvo deformácie pilového kotúča.

- g) Vždy používajte pilové kotúče so správnou veľkosťou a tvarom (diamantový alebo kruhový) upínacích otvorov.** Pilové kotúče, ktorých upínacie otvory nezodpovedajú otvorom upevňovacieho mechanizmu píly, pri práci kmitajú a spôsobujú stratu kontroly nad náradím.
- h) Nikdy nepoužívajte poškodené alebo nevhodné podložky alebo skrutki.** Podložky a skrutki sú špeciálne navrhnuté pre vašu pílu tak, aby zaručovali optimálny pracovný výkon a bezpečnosť práce.

## ĎALŠIE BEZPEČNOSTNÉ POKYNY PRE VŠETKY PÍLY

### Varovanie pred spätným rázom

- Spätný ráz je neočakávaná náhla reakcia na odštiepenie, zaseknutie alebo vychýlenie pilového kotúča, ktoré spôsobí nekontrolované zdvihnutie píly z pracovnej plochy smerom k používateľovi.
  - Ak je pilový kotúč pricviknutý alebo pevne zovretý v ukončení zárezu, dôjde k uviaznutiu kotúča a výkon motora vymršťí náradie dozadu smerom k používateľovi.
  - Ak sa pilový kotúč skrúti alebo sa vychýli v reze, môžu sa zuby v zadnej časti kotúča zaboriť do povrchu dreva a spôsobiť, že pilový kotúč vyjde zo zárezu a vyskočí späť smerom k používateľovi. Spätný ráz je výsledkom nesprávneho používania píly alebo zlých pracovných postupov a podmienok. Môžete mu predísť zohľadnením nižšie uvedených bezpečnostných opatrení.
- a) Pílu držte pevne oboma rukami v takej polohe, aby ste odolali silám spätného rázu. Postavte sa telom na jednu alebo druhú stranu pilového kotúča. Nikdy nestojte v jednej priamke s kotúčom.** Spätný ráz môže spôsobiť, že pilový kotúč vyskočí smerom späť. Ak sú však zohľadnené príslušné bezpečnostné opatrenia, môžu byť sily spätných rázov používateľom zmiernené.
- b) Ak sa pilový kotúč zasekne alebo preruší rez z akýchkoľvek dôvodov, uvoľnite spínač a držte pílu nehybne v materiáli, pokým sa pilový kotúč nezastaví. Nikdy sa nepokúšajte vytriahnuť pílu z rezu alebo ju tlačiť smerom vzad, ak sa pilový kotúč otáča. Mohlo by dôjsť k spätnému rázu.** Dbajte na zvýšenú opatnosť a dodržujte správny postup rezania, aby ste predišli zaseknutiu pilového kotúča.
- c) Pri spúšťaní píly v reze umiestnite pilový kotúč doprostred rezu a skontrolujte, či zuby píly nie sú v styku s materiálom.** Ak sa pilový kotúč zasekne, môže pri opätovnom spustení píly vyjsť hore alebo vyskočiť z rezaného

materiálu.

- d) Podložte veľké kusy materiálu tak, aby ste predišli nebezpečenstvu zovretia pilového kotúča a vzniku spätného rázu.** Veľké kusy materiálu majú tendenciu prehybať sa vlastnou tiažou. Podpery musia byť umiestnené na oboch stranách blízko línie rezu a blízko okraja materiálu.
- e) Nepoužívajte tupé alebo poškodené pilové kotúče.** Nenaostrené alebo nesprávne nainštalované pilové kotúče robia úzky rez, ktorý vytvára nadmerné trenie a zvyšuje nebezpečenstvo zaseknutia pilového kotúča alebo vzniku spätného rázu.
- f) Pred vykonaním rezu musí byť nastavenie hĺbky rezu a sklonu pilového kotúča zaaretované príslušnými páčkami.** Ak sa nastavenie pilového kotúča počas rezu zmení, môže dôjsť k jeho zaseknutiu a spätnému rázu.
- g) Pri rezaní v stenách a neznámych miestach je potrebné dbať na zvláštnu opatnosť.** Pilový kotúč môže naraziť na predmety, ktoré môžu spôsobiť spätý ráz.

## BEZPEČNOSTNÉ POKYNY PRE KOTÚČOVÉ PÍLY SO SPODNÝM OCHRANNÝM KRYTOM

### FUNKCIA SPODNÉHO KRYTU

- a) Pred každým použitím skontrolujte, či sa spodný kryt správne zatvára. Pílu nepoužívajte, ak sa spodný kryt nepohybuje voľne a ihneď sa nezatvára. Spodný kryt nikdy neupevňujte ani neuväzujte do otvorenej polohy.** Ak dôjde k náhodnému pádu píly, spodný kryt sa môže ohnúť. Spodný kryt ovládacou páčkou zdvihnite a skontrolujte, či sa voľne pohybuje a nedotýka sa kotúča ani iných častí, a to pri všetkých hĺbkach rezu a hodnotách pokosu.
- b) Skontrolujte fungovanie pružiny dolného krytu. Ak kryt a pružina nepracujú správne, treba pílu pred použitím poslať do servisu.** Ak má poškodené časti, sú na ňom lepkavé nánosy alebo sa na ňom zhromažďuje piliny, pohybuje sa dolný kryt spomalene.
- c) Dolný kryt smie byť zatiagnutý iba pri špeciálnych typoch prác, ako je rezanie vybraní alebo zložených rezov. Zdvihnite spodný kryt potiahnutím páčky, ale ihneď, ako kotúč vnikne do materiálu, spodný kryt musí byť uvoľnený.** Pre všetky ostatné typy rezania nechajte spodný kryt pracovať automaticky.
- d) Pred tým, ako odložíte pílu na pracovný stôl alebo podlahu, overte, či je vysunatá**

**spodný ochranný kryt.** Nechránený, dobiehajúci pílový kotúč spôsobí, že píla začne cúvať a rezať všetko, čo jej stojí v ceste. Berte do úvahy, že od vypnutia píly tlačidlom do zastavenia pílového kotúča uplynie určitý čas.

## ĎALŠIE BEZPEČNOSTNÉ POKYNY PRE REZY EXACTRACK™

- a) **Spodný kryt môže byť ručne zasunutý iba pri vykonávaní rezov EXACTRACK™.** Rukoväťou spodného ochranného krytu tento kryt zdvihnite, a ako kotúč vnikne do materiálu, spodný kryt uvoľníte. Pri všetkých ostatných rezoch bude spodný kryt pracovať automaticky.
- b) **Pri vykonávaní rezov EXACTRACK™ môže byť spúšť stlačená len vtedy, keď sa kotúč dostane do kontaktu s opracovávaným materiálom.**

## ZVLÁŠTNE BEZPEČNOSTNÉ UPOZORNENIA PRE OKRUŽNÚ PÍLU

- 1. Používajte iba rezné kotúče odporúčené výrobcom, ktoré zodpovedajú norme EN 847-1, pokiaľ sú určené pre drevo a podobné materiály.
- 2. Nepoužívajte žiadne abrazívne kotúče.
- 3. Pílové kotúče musia mať priemer zodpovedajúci príslušnému označeniu.
- 4. Pre rezaný materiál používajte vhodné rezné kotúče.
- 5. Používajte iba rezné kotúče, ktoré sú označené rýchlostným indexom, ktorý je zhodný alebo vyšší, ako rýchlostný index vyznačený na náradí.

## BEZPEČNOSTNÉ VAROVANIA TÝKAJÚCE SA BATÉRIÍ

- a) **Nepokúšajte sa demontovať, rozoberať alebo rozrezávať batérie alebo jej články.**
- b) **Batériu neskratujte. Neukladajte batérie náhodne v škatuliach alebo v zásuvkách, kde by mohlo dôjsť k ich vzájomnému skratovaniu alebo k skratovaniu spôsobenému inými predmetmi.** Ak sa batéria nepoužíva, udržiňte ju v bezpečnej vzdialenosti od sponiek na papieri, minci, kľúčov, klincov, skrutiek alebo iných malých kovových predmetov, ktoré môžu spôsobiť prepojenie kontaktov batérie. Skratovanie

kontaktov batérie môže spôsobiť popálenieiny alebo požiar.

- c) **Nevystavujte batériu pôsobeniu tepla alebo ohňa. Vyvarujte sa skladovania batérií na otvorenom slnku.**
- d) **Nevystavujte batériu mechanickým rázom.**
- e) **Ak dôjde k úniku kvapaliny z batérie, zabráňte tomu, aby sa táto kvapalina dostala do kontaktu s pokožkou alebo aby zasiahla oči. Ak dôjde k takému kontaktu, zasiahnuté miesto umyte značným množstvom vody a vyhľadajte lekárske ošetrovanie.**
- f) **Ak dôjde k požitiu kvapaliny z batérie, vyhľadajte okamžite lekárske ošetrovanie.**
- g) **Udržujte batérie čisté a suché.**
- h) **Ak sú svorky batérie znečistené, utrite ich čistou a suchou handričkou.**
- i) **Batéria musí byť pred použitím nabitá. Vždy postupujte podľa uvedených pokynov a používajte správny postup nabíjania.**
- j) **Nenechávajte batériu nabíjať, ak nebude batéria použitá.**
- k) **Po dlhodobom uložení budete možno musieť vykonať niekoľko cyklov nabíjania a vybíjania, aby batéria dosiahla svoj maximálny výkon.**
- l) **Batéria poskytuje najvyšší výkon, ak sa používa pri bežnej izbovej teplote (20°C ± 5°C).**
- m) **Pri likvidácii batérií oddel'te od seba batérie s odlišnými elektrochemickými systémami.**
- n) **Vykonávajte nabíjanie iba v nabíjačke, ktorá je špecifikovaná spoločnosťou WORX. Nepoužívajte inú nabíjačku, než je nabíjačka špeciálne dodaná na použitie s týmto zariadením.** Nabíjačka, ktorá je vhodná pre jeden typ batérie, môže pri použití iného typu batérie vytvárať riziko spôsobenia požiaru.
- o) **Nepoužívajte žiadnu batériu, ktorá nie je určená na použitie s týmto zariadením.**
- p) **Ukladajte batérie mimo dosahu detí.**
- q) **Uchovajte originálnu dokumentáciu k tomuto výrobku na budúce odkazy.**
- r) **Ak sa zariadenie nepoužíva, vyberte z neho batériu.**
- s) **Vykonávajte riadnu likvidáciu batérie.**
- t) **V zariadení nekombinujte batériové články rôzneho dátumu výroby, kapacity, veľkosti alebo typu.**
- u) **Nevyberajte batériu z originálneho obalu skôr, než bude použitá.**
- v) **Dodržujte polaritu vložených batérií plus (+) a minus (-) a zaisťte používanie batérií správnym spôsobom.**

## SYMBOLY

	S cieľom znížiť nebezpečenstvo vzniku zranenia je potrebné prečítať si túto príručku.
	Varovanie
	Použite ochranu uší
	Použite ochranu očí
	Použite respirátor
	Nevystavujte dažďu alebo vode
	Nevystavujte ohňu
 <b>Li-Ion</b>	Batérie nezahadzujte. Vyčerpané batérie odneste do miestneho zberného (recyklačného) miesta špeciálneho odpadu.
	
	Pred výmenou príslušenstva alebo pred vykonávaním akejkoľvek úpravy nástroja sa uistite, či je vybratá batéria.
	Noste ochranné rukavice
	Drevo
	Kotúč s karbidovým ozubením

	Zamknúť
	Odomknúť
	Elektrické výrobky sa nesmú likvidovať spolu s domácim odpadom. Recyklujte v zberných miestach na tento účel zriadených. O možnosti recyklácie sa informujte na miestnych úradoch alebo u predajcu.

## ZOZNAM SÚČASTÍ

1. **BEZPEČNOSTNÉ TLAČIDLO**
2. **VYPÍNAČ**
3. **PREDNÁ RUKOVÄŤ**
4. **ZNAČKA UHLOVÉHO REZU, 0°**
5. **ZNAČKA UHLOVÉHO REZU, 45°**
6. **ZÁKLADNÁ DOSKA**
7. **ARETÁCIA NÁKLONU ZÁKLADNEJ DOSKY**
8. **UHLOVÁ STUPNICA ZÁKLADNEJ DOSKY**
9. **ŠESTHRANNÝ KLÚČ**
10. **BATÉRIA \***
11. **UVOLŇOVACIE TLAČIDLO BATÉRIOVÉHO BLOKU\***
12. **PEVNÝ OCHRANNÝ KRYT**
13. **VÝSTUP ODSÁVANIA PRACHU**
14. **PÁČKA SPODNÉHO KRYTU**
15. **EXACTRACK™ PRÍDAVNÁ DOSKA**
16. **PÍLOVÝ KOTÚČ**
17. **VONKAJŠIA PRÍRUBA**
18. **UPEŇOVACIA SKRUTKA PÍLOVÉHO KOTÚČA**
19. **SPODNÝ OCHRANNÝ KRYT REZNÉHO KOTÚČA**
20. **HRIADEL'**
21. **VNÚTORNÁ PRÍRUBA**
22. **STUPNICA HLĚBKY REZU (POZRI OBR. E)**
23. **POISTNÁ RUKOVÄŤ HLĚBKY REZU (Pozri Obr. E)**
24. **PREPÍNACIA PÁČKA (Pozri Obr. E)**
25. **GOMBÍK BLOKOVANIA VRETENA (Pozri Obr. K2)**

**\*Štandardne dodávané príslušenstvo neobsahuje všetky vyobrazené alebo popísané položky.**

## TECHNICKÉ ÚDAJE

Typ **WX530 WX530.1 WX530.9 (5- označenie zariadenia, zástupca pílu)**

	WX530	WX530.1	WX530.9
Menovité napätie	20 V $\text{---}$ Max**		
Otáčky bez zaťaženia (menovitý výkon)	4900/min		
Priemer kotúča	165 mm		
Priemer stredivého otvoru	20 mm		
Rezná kapacita			
Hĺbka rezu pri 45°	39 mm		
Hĺbka rezu pri 90°	55 mm		
Kapacita sklonu	0-50°		
Hmotnosť stroja (bez vloženeho akumulátora)	2.3 kg		

\*\*Napätie merané bez prevádzkového zaťaženia. Počiatočné nabitie batérie dosahuje maximálne 20Voltov. Nominálne napätie je 18Voltov.

## INFORMÁCIE O HLUKU

Nameraný akustický tlak	$L_{pA} = 82.8 \text{ dB(A)}$
Nameraný akustický výkon	$L_{wA} = 93.8 \text{ dB(A)}$
$K_{pA}$ & $K_{wA}$	3 dB(A)

Použite chrániče sluchu.



## INFORMÁCIE O VIBRÁCIÁCH

Výsledné celkové hodnoty pre vibrácie (suma pre trojosový vektor) stanovené podľa normy EN 62841:

Hodnota emisie vibrácií:	Rezanie dreva: $a_{h,w} = 6.572 \text{ m/s}^2$
	Nepresnosť $K = 1.5 \text{ m/s}^2$

Deklarovaná celková hodnota vibrácií a deklarovaná úroveň vytváraného hluku boli merané v súlade so štandardnými skúšobnými postupmi a môžete ich použiť na vzájomné porovnanie jednotlivých náradí. Deklarovaná celková hodnota vibrácií a deklarovaná úroveň vytváraného hluku môžu byť tiež použité na predbežné stanovenie doby práce s náradím.

**VAROVANIE:** Vibrácie a hlučnosť pri aktuálnom použití elektrického náradia sa od deklarováných môžu líšiť v závislosti od spôsobu, akým je náradie používané, a hlavne od typu spracovávaného obrobku podľa nasledujúcich príkladov a ďalších spôsobov, akými je náradie používané: Ako sa náradie používa a aké materiály sa budú rezať alebo vrtáť.

Náradie musí byť v dobrom stave a musí byť vykonávaná jeho riadna údržba. S náradím sa musí používať správne príslušenstvo, a toto príslušenstvo musí byť ostré a v dobrom stave. Pevnosť uchopenia rukovätí a či je použité akékoľvek príslušenstvo znižujúce úroveň vibrácií a hluku. Toto náradie môže byť použité iba na určené účely a podľa týchto pokynov.

**Ak sa toto náradie nepoužíva zodpovedajúcim spôsobom, môže spôsobiť syndróm choroby spôsobenej pôsobením vibrácií na ruky a paže obsluhy.**

**VAROVANIE:** Ak chcete byť presní, odhad času pôsobenia vibrácií v aktuálnych podmienkach pri použití tohto náradia by mal brať do úvahy taktiež všetky časti pracovného cyklu, ako sú časy, kedy je náradie vypnuté a kedy je v chode vo voľnobežných otáčkach, ale v skutočnosti nevykonáva žiadnu prácu. Čas pôsobenia vibrácií tak môže byť v rámci celkového pracovného času značne skrátený.

Pomáha minimalizovať riziko pôsobenia vibrácií a hluku. VŽDY používajte ostré sekáče, vrtáky a nože. Vykonávajte údržbu tohto náradia podľa týchto pokynov a zaistíte jeho riadne mazanie (ak je to vhodné). Ak bude náradie používané pravidelne, potom investujte do príslušenstva znižujúceho úroveň vibrácií a hluku. Vypracujte si svoj plán práce, aby ste pôsobenie vysokých vibrácií tohto náradia rozdelili do niekoľkých dní.

## PRÍSLUŠENSTVO

	WX530	WX530.1	WX530.9
Kotúč s karbidovým ozubením	1	1	1
Adaptér na odsávanie prachu	1	1	1

Šest'hranný Kľúč	1	1	1
Batéria (WA3551.1)	1	/	/
Batéria (WA3553)	/	1	/
Nabíjačka (WA3860)	1	1	/

Odporúčame Vám, aby ste si zakúpili príslušenstvo v rovnakej predajni, v akej ste zakúpili aj vaše náradie. Ďalšie podrobnosti nájdete na obale príslušenstva. Pomoc a užitočné rady vám môže poskytnúť predajca náradia.

## NÁVOD NA POUŽITIE



**POZNÁMKA:** Pred tým, ako náradie použijete, prečítajte si návod na použitie.

### ÚČEL POUŽITIA:

Náradie je určené na vykonávanie pozdĺžnych a priečných priamych rezov do dreva a iných materiálov, pričom po dobu rezu pevne spočíva na obrobku.

## MONTÁŽ A OBSLUHA

VYKONÁVANÝ ÚKON	FIGURE
<b>102 PRED ZAČATÍM PRÁCE</b>	
Vloženie/vyťahnutie akumulátora	Pozri Obr. A1
Nabíjanie batérie	Pozri Obr. A2
Kontrola stavu nabitia batérie (pouze pro WX530.1)	Pozri obr. A3
<b>ZOSTAVENIE</b>	
Montáž a demontáž pilového kotúča <b>Poznámka: Pri zaistení alebo uvoľnení skrutky čepele je nutné stlačiť tlačidlo zámku hriadeľa.</b> <b>VAROVANIE:</b> Pred výmenou pilového kotúča vždy z náradia vyberte batériu!	Pozri Obr. B
Uloženie inbusového kľúča	Pozri Obr. C
<b>OBSLUHA</b>	
Bezpečnostný spínač zapnuté/vypnuté <b>VAROVANIE:</b> Aby ste sa vyvarovali úrazu ostrým kotúčom, nepokladajte ruky do oblasti základnej dosky. <b>POZNÁMKA:</b> Pri používaní náradia pripojte adaptér na prach do zberača prachu.	Pozri Obr. D
Nastavenie hĺbky rezu	Pozri Obr. E

Vodítko rezu	Pozri Obr. F
Uhlové rezy <b>POZNÁMKA: Uhlové rezy nemôžete vykonávať v režime EXACTRACK™.</b>	Pozri Obr. G
Odstraňovanie pilín	Pozri Obr. H

### EXACTRACK™

#### Čo znamená EXACTRACK™?

EXACTRACK™ inovatívna funkcia, ktorá vám pomôže urobiť priamy rez ľahšie tak, že držíte rezný kotúč zarovnaný s vodítkom rezu.

### Bezpečnostné pokyny



**VAROVANIE: Rezný kotúč je ostrý. Noste ochranné rukavice.**

**Ruky držte mimo oblasť spodného krytu kotúča, ak je tento kryt otvorený.**

### Prevádzkový rozsah EXACTRACK™

- S funkciou EXACTRACK™ je možné pracovať v rozsahu hĺbky rezu 0 ~ 43 mm. (Pozri Obr. I)
- Funkciu EXACTRACK™ je možné použiť iba u 90 stupňových rezov, túto funkciu nie je možné použiť u šikmých rezov s ľubovoľným stupňom sklonu.

### Pred začatím práce



**VAROVANIE: Pred vykonaním akéhokoľvek nastavovania, vyberte z nástroja batériový modul, a odložte ho v blízkosti píly.**

- Nastavte požadovanú hĺbku rezu (v rozsahu 0 ~ 43 mm). (Pozri Obr. I)
- Páčku prepnite na režim EXACTRACK™. (Pozri Obr. J)
- Na obrobku si vyznačte požadovanú líniu rezu, potom k obrobku upevnite vodiaciu lištu rezu (nie je súčasťou dodávky) tak, aby hranou priliehala priamo k vyznačenej línii rezu. Dĺžka vodiacej lišty rezu by mala po oboch koncoch presahovať obrobok o 230 mm. (Pozri Obr. K1)
- Umiestnite dielčiu časť základnej dosky EXACTRACK™ (červená časť) v hornej časti vodiacej lišty rezu (nie je súčasťou dodávky), a zaisťte, aby bola hlavná základná doska posadená na obrobku. (Pozri Obr. K2)
- Rukou otvorte spodný ochranný kryt ( **rukou držte z dosahu rezného kotúča**), pritlačte pílu bokom k vodítku rezu a potom uvoľnite ruku zo spodného ochranného krytu kotúča. (Pozri Obr. K3)

### Obsluha

- Nasadenie batérie.
- Pevne držte pílu oboma rukami a uistite sa, že základná doska pri rezaní pevne prilieha k vodiacej lište rezu (nie je súčasťou dodávky). (Pozri Obr. K4)
- Spustíte pílu a začnete rezať. (Pozri Obr. K5)

### Režim ŠTANDARD

Pre priame rezy v 90 stupňoch alebo uhlové rezy (vypnutá funkcia EXACTRACK™) otočte páku do režimu ŠTANDARD a potom môžete náradie používať ako štandardnú kotúčovú pílu. (Pozri Obr. L)

Režim ŠTANDARD je možné používať pre hĺbky rezov 0 ~ 55 mm (90 stupňov), 0 ~ 39 mm (45 stupňov).

Informácie o výrobku nájdete na adrese [www.worx.com](http://www.worx.com) a pozrite video How To (Ako na to).



Podrobnejšie informácie nájdete v návode na obsluhu.  
Nutné prečítať.

## TIPY NA PRÁCU S NÁSTROJOM

Ak sa píla príliš zahreje, nechajte ju, prosím, bežať 2 až 3 minúty naprázdno, čím sa motor ochladí. Nepoužívajte pílu pri veľmi nízkych otáčkach po dlhší čas.

Pílové kotúče chráňte pred nárazmi a otrasmi. Na náradie príliš netlačte. Použite mierny a trvalý prítlak, aby ste zabránili prehriatiu hrotov rezného kotúča. Nadmerný posuv výrazne znižuje výkonnosť zariadenia a znižuje prevádzkovú životnosť pílového kotúča. Výkonnosť pílenia a kvalita rezu závisia v podstate od stavu a počtu zubov pílového kotúča. Preto používajte iba ostré pílové kotúče, ktoré sú vhodné na materiál, ktorý sa bude opracovávať. Výber pílových kotúčov: 24 zubov na bežné práce, približne 40 zubov na jemnejšie rezy, viac ako 40 zubov na veľmi jemné rezy do krehkých povrchov, diamant na dlaždice, cementové dosky, atď.

Používajte len odporúčané pílové kotúče.

## ÚDRŽBU NÁSTROJOV VYKONÁVAJTE OPATRNE

**Pred vykonaním akéhokoľvek nastavovania, opráv alebo údržby vyberte z nástroja batériový modul.**

Nástroje udržiavajte ostre a čisté pre lepšie a bezpečnejšie vykonávanie práce. Dodržiavajte pokyny na mazanie a výmenu príslušenstva. Pravidelne kontrolujte napájacie káble a v prípade poškodenia ich odovzdajte na opravu do autorizovaného servisu. Vaša kotúčová píla si nevyžaduje žiadne ďalšie mazanie alebo údržbu. Táto kotúčová píla neobsahuje žiadne používateľom opraviteľné diely. Na čistenie nástroja nikdy nepoužívajte vodu alebo chemické čistiace prostriedky. Vytierajte suchou handričkou. Kotúčovú pílu vždy uschovávajte na suchom mieste. Vetracie otvory na kryte elektromotora udržiavajte čisté. Zo všetkých ovládacích prvkov odstraňujte prach. Na zabezpečenie riadneho výkonu musíte z ochranného krytu a podložky pravidelne odstraňovať prach a piliny.

### PRE AKUMULÁTOROVÉ NÁRADIE

Rozsah okolitých teplôt pre použitie a skladovanie náradia akumulátora je 0°C- 45°C.

Odporúčený rozsah okolitej teploty pre nabíjaci systém v priebehu nabíjania je 0°C- 40°C.

## OCHRANA ŽIVOTNÉHO PROSTREDIA



Elektrické výrobky sa nesmú likvidovať spolu s domácim odpadom. Recyklujte v zberných miestach na tento účel zriadených. O možnosti recyklácie sa informujte na miestnych úradoch alebo u predajcu.

103

## ODSTRÁŇOVANIE PROBLÉMOV

Symptóm	Možné príčiny	Možné riešenie
Nástroj sa pri zapnutí vypínača neuvedie do chodu.	Batéria nie je správne pripojená. Batéria je vybitá.	Uistite sa, že je batéria v mieste uloženia v náradí správne pripojená. Nabite batériu.
Hĺbka rezu je menšia ako nastavená hĺbka.	V zadnej časti základovej dosky sú nahromadené piliny.	Piliny vytraste. Zvážte pripojenie zariadenia na odsávanie a zber prachu.
Pílový kotúč sa otáča alebo prešmykuje.	Pílový kotúč nie je pevne upnutý na vretene.	Pílový kotúč vyberte a znovu namontujte tak, ako je to popísané v časti <b>Montáž A Demontáž Pílového Kotúča</b> .
Pílový kotúč nereže priamočiara.	Pílový kotúč je tupý. Pílový kotúč je nesprávne namontovaný. Píla sa nevedie správne.	Namontujte nový ostrý pílový kotúč. Skontrolujte, či je pílový kotúč správne namontovaný. Používajte rovnobežnú vodiacu lištu.
Pílový kotúč vytvára pri začínaní pílenia spätný náraz.	Pílový kotúč má nízke otáčky.	Pred začatím pílenia počkajte, kým pílový kotúč dosiahne plné otáčky.

# VYHLÁSENIE O ZHODE

My,  
POSITEC Germany GmbH  
Grüner Weg 10, 50825 Cologne, Germany

Vyhlasujeme, že výrobok:

Popis **Kotúčová píla napájaná batériou**

Typ **WX530 WX530.1 WX530.9 (5- označenie zariadenia, zástupca pílu)**

Funkcia **Rezanie rôznych materiálov pomocou otočnej ozubenej čepele**

Zodpovedá nasledujúcim smerniciam:

**2006/42/EC, 2014/30/EU,  
2011/65/EU&(EU)2015/863**

Štandardy zodpovedajú normám:

**EN 62841-1, EN 62841-2-5, EN 55014-1,  
EN 55014-2**

Osoba oprávnená za zostavenie technického súboru:

**Názov Marcel Filz**

**Adresa Positec Germany GmbH Grüner Weg  
10, 50825 Cologne, Germany**





2019/5/28

Allen Ding

Zástupca vrchnej konštrukčnej kancelárie,

Testovanie & Certifikácia

Positec Technology (China) Co., Ltd

18, Dongwang Road, Suzhou Industrial Park,

Jiangsu 215123, P.R. China

# SEGURANÇA DO PRODUTO

## AVISOS GERAIS

### DE SEGURANÇA

### DE FERRAMENTAS

### ELECTRICAS

 **AVISO** Leia todos os avisos de segurança, instruções, ilustrações e especificações fornecidos com esta ferramenta eléctrica. Caso não siga todas as instruções listadas de seguida poderá resultar em choque eléctrico, incêndio e/ou lesões graves.

**Guarde estas instruções para referência futura.**

Os termos “ferramenta eléctrica” utilizados em todos os avisos constantes destas instruções referem-se à sua ferramenta eléctrica accionada por bateria (sem cabo de alimentação).

#### 1) LOCAL DE TRABALHO

- a) **Mantenha o local de trabalho limpo e bem arrumado.** Áreas com pouca iluminação e desordenadas podem provocar acidentes.
- b) **Não utilize o aparelho em locais onde existam líquidos, gases ou poeiras inflamáveis e onde exista o risco de explosão.** As ferramentas eléctricas produzem faíscas que podem inflamar poeiras ou gases.
- c) **Mantenha as pessoas e particularmente as crianças afastadas da ferramenta eléctrica durante o seu funcionamento.** Qualquer distração pode fazê-lo perder o controlo do berbequim.

#### 2) SEGURANÇA ELÉCTRICA

- a) **A ficha do berbequim deve encaixar bem na tomada de alimentação. Nunca modifique fichas, seja de que maneira for. Não utilize nenhuma ficha de adaptação com ferramentas eléctricas que tenham ligação à terra.** Fichas não modificadas e tomadas de corrente adequadas reduzem o risco de choque eléctrico.
- b) **Evite o contacto do corpo com superfícies ligadas à terra como tubos, aquecedores, fogões e frigoríficos.** Existe um aumento do risco de choque eléctrico se o seu corpo estiver em contacto com a terra ou a massa.
- c) **Não exponha este equipamento à chuva ou humidade.** A infiltração de água num aparelho eléctrico aumenta o risco de choque eléctrico.
- d) **Não maltrate o cabo de alimentação. Nunca utilize o cabo para transportar, puxar ou desligar o aparelho da tomada de corrente. Mantenha o cabo afastado de fontes de calor, óleos, arestas afiadas**

**ou peças em movimento.** Cabos danificados ou enredados aumentam o risco de choque eléctrico.

- e) **Quando trabalhar com uma ferramenta eléctrica ao ar livre, use um cabo de extensão adequado para utilização no exterior.** A utilização de um cabo adequado para uso exterior reduz o risco de choque eléctrico.
  - f) **Se não puder evitar a utilização de uma ferramenta eléctrica num local húmido, utilize uma fonte de alimentação protegida contra corrente residual.** A utilização de um dispositivo com protecção contra corrente residual reduz o risco de choque eléctrico.
- #### 3) SEGURANÇA DE PESSOAS
- a) **Esteja atento, observe o que está a fazer e seja prudente sempre que trabalhar com uma ferramenta eléctrica. Não utilize nunca uma ferramenta eléctrica quando estiver cansado ou sob a influência de drogas, álcool ou medicamentos.** Um momento de desatenção quando se utiliza uma ferramenta eléctrica pode causar lesões graves.
  - b) **Utilize equipamentos de segurança. Use sempre óculos de protecção.** Equipamentos de segurança, tais como máscaras protectoras, sapatos de sola antiderrapante, capacetes ou protecções auriculares devidamente utilizados reduzem o risco de lesões.
  - c) **Evite o arranque accidental da ferramenta. Certifique-se de que o comutador de alimentação está desligado antes de ligar a ferramenta à fonte de alimentação e/ou à bateria, antes de pegar nela ou antes de a transportar.** Se mantiver o dedo no interruptor ou accionar o aparelho enquanto este estiver ligado podem ocorrer acidentes.
  - d) **Remova quaisquer chaves de ajuste ou de porcas antes de ligar a ferramenta eléctrica.** Chaves de porcas ou de ajuste fixadas a peças móveis do berbequim podem causar lesões.
  - e) **Não exceda as suas próprias capacidades.** Mantenha sempre o corpo em posição firme e de equilíbrio, o que lhe permite controlar melhor a ferramenta eléctrica em situações imprevistas.
  - f) **Use roupa apropriada. Não use vestuário solto ou artigos de joalheria. Mantenha o cabelo e as roupas e luvas afastados das peças móveis.** Roupas soltas, artigos de joalheria ou cabelos compridos podem ser agarrados por peças em movimento.
  - g) **Se forem fornecidos dispositivos para a montagem de unidades de extracção ou recolha de resíduos, Assegure-se de que são montados e utilizados adequadamente.** A utilização

destes dispositivos pode reduzir os perigos relacionados com a presença de resíduos.

- h) Não permita que a familiaridade obtida do uso frequente de ferramentas o tornem complacente e o faça ignorar os princípios de segurança da ferramenta.** Uma ação descuidada pode causar lesões graves numa fração de segundo.

#### **4) UTILIZAÇÃO E MANUTENÇÃO DA FERRAMENTA ELÉCTRICA**

- a) Não force a ferramenta. Utilize a ferramenta eléctrica apropriada para cada aplicação.** A utilização da ferramenta eléctrica apropriada executada o trabalho de forma melhor e mais segura, à velocidade para a qual foi concebida.
- b) Não utilize esta ferramenta se o interruptor estiver deficiente, não ligando ou desligando.** Qualquer ferramenta eléctrica que não possa ser controlada pelo interruptor é perigosa e deve ser reparada.
- c) Desligue a ficha da tomada eléctrica e/ou remova o conjunto de pilhas, caso seja possível removê-lo, da ferramenta eléctrica antes de realizar quaisquer ajustes, substituir acessórios ou armazenar ferramentas eléctricas.** Estas medidas de segurança preventivas reduzem o risco de activação acidental da ferramenta.
- d) Quando não estiver a usar a ferramenta eléctrica, guarde-a fora do alcance das crianças e não deixe que esta seja utilizada por pessoas que não a conheçam, nem tenham lido as instruções.** As ferramentas eléctricas são perigosas nas mãos de utilizadores inexperientes.
- e) Realize a manutenção de ferramentas eléctricas e acessórios. Verifique quaisquer desalinhamentos, encaixes de peças móveis, quebras e outras condições que possam afectar o funcionamento. Se esta ferramenta estiver avariada, mande-a reparar antes a utilizar.** Muitos acidentes são causados pela manutenção deficiente de ferramentas eléctricas.
- f) Mantenha as ferramentas de corte limpas e afiadas.** As ferramentas de corte com manutenção adequada e arestas de corte afiadas têm menos probabilidades bloquearem e são mais fáceis de controlar.
- g) Utilize a ferramenta eléctrica, acessórios, brocas, etc. em conformidade com estas instruções e da forma prevista para este tipo específico de ferramenta, tendo em conta as condições presentes e o trabalho a executar.** A utilização de ferramentas eléctricas para aplicações diferentes daquelas a que se destinam pode levar a situações de perigo.
- h) Mantenha as pegas e as superfícies de**

**aderência secas, limpas e sem óleo e massa lubrificante.** As pegas e superfícies de aderência escorregadias não permitem o manuseamento e controlo seguros da ferramenta em situações inesperadas.

#### **5) USO E TRATAMENTO DE APARELHOS COM ACUMULADOR**

- a) Apenas deverá carregar em carregadores, acumuladores recomendados pelo fabricante.** Um carregador que é apropriado para um tipo de acumulador, pode causar um incêndio se se for utilizado para carregar outros acumuladores.
- b) Apenas utilize nas ferramentas eléctricas os acumuladores previstos.** A utilização de outros acumuladores pode levar a lesões e riscos de incêndio.
- c) Quando o acumulador não estiver em uso, mantenha-o afastado de outros objectos de metal, como por exemplo agrafos, moedas, chaves, pregos, parafusos, ou outros pequenos objectos metálicos que possam ligar em ponte os contactos.** Um curto circuito entre os contactos do acumulador pode causar queimaduras ou incêndio.
- d) Aplicações inadequadas podem provocar fugas do líquido do acumulador. Evite o contacto com este líquido. No caso de um contacto acidental, lave imediatamente com água fresca. Se o líquido entrar em contacto com os olhos, procure um auxílio médico.** O líquido que escapa do acumulador pode levar a irritações ou queimaduras da pele.
- e) Não utilize um conjunto de baterias ou ferramenta que esteja danificado ou tenha sido modificado.** As baterias danificadas ou modificadas podem exibir um comportamento imprevisível, resultando em incêndio, explosão ou risco de lesão.
- f) Não exponha um conjunto de baterias ou ferramenta ao fogo ou temperatura excessiva.** A exposição ao fogo ou temperatura superior a 130 °C pode causar explosão.
- g) Siga todas as instruções de carregamento e não carregue o conjunto das baterias ou ferramenta fora do intervalo de temperatura especificado nas instruções.** O carregamento indevido ou a temperatura fora do intervalo especificado pode danificar a bateria e aumentar o risco de incêndio.

#### **6) ASSISTÊNCIA TÉCNICA**

- a) A sua ferramenta eléctrica só deve ser reparada por um técnico de assistência qualificado e devem ser apenas utilizadas peças de substituição genuínas, mantendo assim a segurança da ferramenta.**

- b) **Nunca faça a manutenção de conjuntos de baterias danificados.** A manutenção de conjuntos de baterias só deve ser efetuado pelo fabricante ou prestadores de serviço autorizados.

## INSTRUÇÕES DE SEGURANÇA PARA TODAS AS SERRAS

### PROCEDIMENTOS DE SERRAR

- a)  **ADVERTÊNCIA: Mantenha as mãos afastadas de área de corte e da lâmina. Mantenha uma das mãos no manípulo auxiliar ou na caixa do motor.** Se segurar a serra com as duas mãos, não há perigo de serem cortadas pela lâmina.
- b) **Não tenha nem coloque nada por baixo da peça de trabalho.** Por baixo da peça de trabalho, a protecção não pode defendê-lo da lâmina.
- c) **Ajuste a profundidade de corte à espessura da peça de trabalho.** Por baixo da peça de trabalho, deve ficar visível pelo menos um dente completo de toda a lâmina.
- d) **Nunca segure com as mãos uma peça que estiver a cortar, nem a apoie nas pernas. Fixe a peça de trabalho numa plataforma estável.** É importante apoiar a peça de trabalho adequadamente para minimizar o risco de exposição do corpo, prisão da lâmina ou perda de controlo.
- e) **Segure a ferramenta eléctrica agarrando nas superfícies isoladas quando realizar um trabalho em que a ferramenta de corte possa estar em contacto com cablagem oculta ou com o próprio cabo.** O contacto com um fio “sob tensão” também expõe as partes metálicas da ferramenta eléctrica “sob tensão” e pode causar um choque eléctrico ao operador.
- f) **Quando serrar madeira no sentido do comprimento utilize sempre um caço ou uma régua como guia.** Isto melhora a exactidão do corte e reduz as hipóteses de prisão da lâmina.
- g) **Utilize sempre lâminas com a dimensão correcta e o formato (diamante versus circular) dos orifícios do veio.** As lâminas que não coincidam com as peças de montagem da serra funcionarão excentricamente, causando a perda de controlo.
- h) **Nunca utilize as anilhas ou a porca da lâmina danificadas ou impróprias.** As anilhas e a porca da lâmina foram concebidas especificamente para a sua serra, para um rendimento e segurança do trabalho óptimos.

## INSTRUÇÕES DE SEGURANÇA ADICIONAIS PARA TODAS AS SERRAS

### Causas e medidas de prevenção do operador contra o recuo

- o recuo é uma reacção repentina quando uma lâmina da serra está entalada, presa ou desalinhada, que provoca o descontrolo da serra e faz com saia da peça de trabalho na direcção do operador;
  - quando a lâmina está entalada ou presa no fecho do entalhe, a lâmina encrava e o motor reage movendo rapidamente a unidade para trás na direcção do operador;
  - Se a lâmina estiver torcida ou desalinhada durante o corte, os dentes na extremidade de retorno podem descer mais fundo na superfície superior da madeira, fazendo com que a lâmina salte do entalhe e recue na direcção do operador.
- O recuo é o resultado de uma má utilização e/ou procedimentos ou condições de funcionamento incorrectos, que poderá evitar se tomar as precauções abaixo descritas.
- a) **Segure bem na pega com as duas mãos na serra e coloque os braços de forma a resistir às forças de recuo. Posicione o corpo em cada lado da lâmina, mas não em paralelo com a lâmina.** O recuo poderá fazer com que lâmina salte para trás, mas as forças de recuo podem ser controladas pelo operador se forem tomadas precauções adequadas.
- b) **Quando a lâmina estiver presa ou o corte for interrompido por qualquer razão, solte o gatilho e segure na serra imóvel no material até a lâmina parar completamente. Nunca tente tirar a serra da peça de trabalho ou puxar a serra para trás enquanto a lâmina estiver em movimento, caso contrário pode ocorrer o recuo.** Investigue e aplique medidas correctivas para eliminar a causa de prisão da lâmina.
- c) **Quando voltar a utilizar a serra na peça de trabalho, centre a lâmina da serra no entalhe e verifique se os dentes da lâmina não estão encravados no material.** Se a lâmina da serra estiver presa pode avançá-la ou recuá-la da peça de trabalho, e a serra volta a funcionar.
- d) **Painéis de suporte grandes para minimizar o risco de entalçamento ou de recuo da lâmina. Os painéis grandes tendem a vergar sob ao seu próprio peso.** Os suportes devem ser colocados por baixo do painel em ambos os lados próximo da linha de corte e da extremidade do painel.
- e) **Não utilize lâminas desgastadas ou danificadas.** Quaisquer conjuntos de lâminas em más condições ou não afiados provocam o

- atrito excessivo, a prisão da lâmina e o recuo.
- f) **As alavancas de bloqueio e de ajuste do ângulo e profundidade da lâmina, devem estar bem fixas antes de iniciar o corte.** Quaisquer alterações de ajuste da lâmina durante o corte podem causar prisões e recuos.
- g) **Tome precauções adicionais quando fizer um "corte profundo" em paredes falsas ou outras superfícies já existentes.** A lâmina saliente pode cortar objectos que podem provocar o recuo.

## INSTRUÇÕES DE SEGURANÇA PARA UMA SERRA CIRCULAR COM PROTECÇÃO PENDULAR INTERIOR

### FUNCIONAMENTO DA PROTECÇÃO INFERIOR

- a) **Verifique se protecção inferior está correctamente fechada antes de cada utilização. Não trabalhe com a serra se a protecção inferior não se mover livremente e fechar rapidamente. Nunca fixe nem aperte a protecção inferior na posição de aberta.** Se a serra cair acidentalmente, a protecção inferior pode ficar dobrada. Levante a protecção inferior com o manípulo de retraction, certifique-se de que a protecção se move livremente e não toque na lâmina ou em quaisquer outras peças, em todos os ângulos e profundidades de corte.
- b) **Verifique o funcionamento da mola da protecção inferior. Se a protecção e a mola não funcionarem correctamente têm que ser reparadas antes da utilização.** A protecção inferior pode funcionar lentamente devido a peças danificadas, resíduos pegajosos ou acumulação de resíduos.
- c) **A protecção inferior só deve ser recuada manualmente para cortes especiais, tais como "cortes profundos" e "cortes mistos". Levante a protecção inferior pelo manípulo de retraction, e assim que a lâmina entrar no material, a protecção inferior pode ser libertada.** Para todos os outros cortes, a protecção inferior deve funcionar automaticamente.
- d) **Verifique sempre se a protecção inferior está a cobrir a lâmina, antes de colocar a serra na bancada ou no chão.** Uma lâmina sem protecção e inclinada pode fazer com a serra ande para trás, cortando tudo o que estiver no seu caminho. Tenha atenção ao tempo que a lâmina demora a parar depois de o interruptor ser activado.

## INSTRUÇÕES DE SEGURANÇA ADICIONAIS PARA CORTES EXACTRACK™

- a) **A protecção inferior pode ser retraída manualmente apenas para cortes EXACTRACK™. Eleve a protecção inferior através da pega retrátil e, após a lâmina entrar no material, a protecção inferior deve ser solta.** Para todos os restantes trabalhos de serraçã, a protecção inferior deve ser utilizada automaticamente.
- b) **Quando realizar cortes EXACTRACK™, o interruptor de alimentação apenas pode ser alimentado após a lâmina entrar no material.**

## REGRAS DE SEGURANÇA ADICIONAIS DA SERRA CIRCULAR

1. Utilize apenas lâminas de serra recomendadas pelo fabricante que possuam conformidade com a EN 847-1, caso se destine a utilização em madeira ou materiais análogos.
2. Não utilize quaisquer rodas abrasivas.
3. Utilize diâmetros de serras apenas de acordo com as indicações.
4. Identifique a lâmina de serra correta a utilizar para o material a cortar.
5. Utilize apenas lâminas de serra que estejam marcadas com uma velocidade igual ou superior à velocidade marcada na ferramenta.

## AVISOS DE SEGURANÇA PARA A BATERIA

- a) **Não desmonte, abra ou corte as células da bateria.**
- b) **Não submeta a bateria a curto-circuitos. Não armazene as baterias ao acaso numa caixa ou gaveta onde possam provocar um curto-circuito ou submetidas a curto-circuitos por materiais condutores.** Quando não estiver a utilizar a bateria, mantenha-a afastada de outros objectos metálicos, como cliques, moedas, chaves, pregos, parafusos ou outros pequenos objectos de metal, que possam realizar uma ligação de um terminal a outro. Um curto-circuito dos terminais da bateria pode provocar queimaduras ou um incêndio.
- c) **Não exponha a bateria ao calor ou a incêndios. Evite o armazenamento à exposição de luz solar directa.**
- d) **Não exponha a bateria ao choque eléctrico.**
- e) **Em casos de fugas na bateria, não permita**

- que o líquido entre em contacto com a pele ou olhos. Caso entre em contacto, lave a área afectada com quantidades abundantes de água e procure aconselhamento médico.
- f) Procure imediatamente aconselhamento médico se ingerir uma célula ou bateria.
- g) Mantenha a bateria limpa e seca.
- h) Limpe os terminais da bateria com um pano limpo e seco em caso de sujidade.
- i) A bateria necessita de ser carregada antes de ser utilizada. Consulte sempre estas instruções e utilize o procedimento de carga correcto.
- j) Não mantenha a bateria a carregar quando não for utilizada.
- k) Após longos períodos de tempos de armazenamento, pode ser necessário carregar e descarregar a bateria diversas vezes para obter o desempenho máximo.
- l) A bateria regista o seu melhor desempenho quando é utilizada a uma temperatura ambiente normal (20°C ± 5°C).
- m) Ao eliminar as baterias, mantenha as baterias com diferentes sistemas electroquímicos separadas umas das outras.
- n) Recarregue apenas com o carregador especificado pela WORX. Não utilize um carregador que não se encontra especificado para a utilização com o equipamento. Um carregador adequado para um determinado tipo de bateria pode provocar risco de incêndio quando é utilizado com outra bateria.
- o) Não utilize uma bateria que não se encontra concebida para a utilização com o equipamento.
- p) Mantenha a bateria fora do alcance das crianças.
- q) Preserve as informações originais do produto para futura referência.
- r) Retire a bateria do equipamento quando não estiver em utilização.
- s) Elimine-a de forma adequada.
- t) Não misture pilhas de diferente fabrico, capacidade, tamanho ou tipo num dispositivo.
- u) Não remova a bateria da respetiva embalagem original até ser necessário para utilização.
- v) Observe as marcas de sinal positivo (+) e sinal negativo (-) na bateria e assegure a utilização correcta.

	AVISO
	Utilizar protecção auricular
	Usar óculos de protecção
	Usar máscara protectora
	Não exponha a chuva ou água
	Não queimar
	Não eliminar as baterias. As baterias usadas devem ser entregues num ponto de reciclagem.
	
	Verifique se a bateria foi removida antes de substituir os acessórios ou efetuar quaisquer ajustes na ferramenta.
	Usar luvas de protecção
	Madeira
	Lâmina de ponta de carboneto
	Bloquear

## SÍMBOLOS

	Para reduzir o risco de ferimentos o utilizador deve ler o manual de instruções
--	---

	Desbloquear
	Os equipamentos eléctricos não devem ser despositados com o lixo doméstico. Se existirem instalações adequadas deve reciclá-los. Consulte a sua autoridade local para tratamento de lixos ou fornecedor para obter aconselhamento sobre reciclagem.

## LISTA DE COMPONENTES

1. BOTÃO DE SEGURANÇA
2. INTERRUPTOR DE LIGAR/DESLIGAR
3. PUNHO ADICIONAL
4. MARCAÇÃO DE CORTE 0°
5. MARCAÇÃO DE CORTE 45°
6. PLACA DE BASE PRINCIPAL
7. BLOQUEIO DO ÂNGULO DA PLACA BASE
8. ESCALA DE ÂNGULOS DA PLACA BASE
9. CHAVE DE BOCAS
10. CONJUNTO DE BATERIAS \*
11. FECHO DO CONJUNTO DE BATERIAS\*
12. PROTECÇÃO FIXA
13. SAÍDA DE EXTRACÇÃO DE POEIRAS
14. ALAVANCA DA PROTECÇÃO INFERIOR
15. EXACTRACK™ PLACA DE SUB-PLACA
16. LÂMINA DA SERRA
17. FLANGE EXTERIOR
18. PARAFUSO DA LÂMINA
19. PROTECÇÃO INFERIOR DA LÂMINA
20. VEIO
21. FLANGE INTERIOR
22. ESCALA DE PROFUNDIDADE DE CORTE (Ver Fig. E)
23. PROFUNDIDADE DE ESCALA DE CORTE (Ver Fig. E)
24. ALAVANCA DO INTERRUPTOR (Ver Fig. E)
25. BOTÃO DE BLOQUEIO DO VEIO (Ver Fig. K2)

\*Acessórios ilustrados ou descritos não estão totalmente abrangidos no fornecimento.

## DADOS TÉCNICOS

Tipo **WX530 WX530.1 WX530.9 (5-designação de aparelho mecânico, representativo de Serra)**

	WX530	WX530.1	WX530.9
Tensão nominal	20 V  Max**		
Velocidade nominal sem carga	4900/min		
Dimensão da lâmina	165 mm		
Orifício da lâmina	20 mm		
Capacidade de corte			
Profundidade de Corte a 45°	39 mm		
Profundidade de Corte a 90°	55 mm		
Capacidade angular	0-50°		
Peso da máquina(bateria não incluída)	2.3 kg		

\*\*Tensão medida sem carga. A tensão inicial da bateria atinge o máximo de 20 volts. A tensão nominal é de 18 volts.

## INFORMAÇÃO DE RUÍDO

Pressão de som avaliada	$L_{pA} = 82.8 \text{ dB(A)}$
Potência de som avaliada	$L_{wA} = 93.8 \text{ dB(A)}$
$K_{pA}$ & $K_{wA}$	3 dB(A)

Potência de som avaliada



## INFORMAÇÃO DE VIBRAÇÃO

Os valores totais de vibração (soma de vectores triaxiais) são determinados de acordo com a normativa EN 62841:

Valor da emissão da vibração:	Cortar madeira: $a_{h,w} = 6.572 \text{ m/s}^2$
	Instabilidade $K = 1.5 \text{ m/s}^2$

O valor total de vibração declarado e o valor de emissão de ruído declarado foram medidos de acordo com um método de teste normalizado e poderão ser utilizados para comparar ferramentas entre si.

O valor total de vibração declarado e o valor de emissão de ruído declarado também poderão ser utilizados numa avaliação preliminar da exposição.

**AVISO:** a vibração e as emissões de ruído durante o uso efetivo da ferramenta elétrica podem diferir do valor declarado, em função das formas como a ferramenta é utilizada, especialmente no que se refere ao tipo de peça de trabalho que é processada em função dos seguintes exemplos e de outras variações sobre como a ferramenta é utilizada: O modo como a ferramenta é utilizada, os materiais a cortar ou perfurar.

A ferramenta estar em boas condições e bem conservada.

A utilização do acessório correcto para a ferramenta e a garantia de que está afiado e em boas condições.

A tensão de aderência nas pegas e se são utilizados acessórios anti-vibração e ruído.

Se a ferramenta é utilizada para o objectivo para a qual foi concebida e segundo as instruções.

**Esta ferramenta pode causar síndrome de vibração mão-braço, se não for adequadamente utilizada.**

**AVISO:** Para ser preciso, uma estimativa do nível de exposição nas condições actuais de utilização deve ter em conta todas as partes do ciclo de operação, como os tempos em que a ferramenta está desligada e quando está em funcionamento, mas inactiva, ou seja, não realizando o seu trabalho. Isto poderá reduzir significativamente o nível de exposição durante o período total de trabalho.

Ajudar a minimizar a sua vibração e risco de exposição ao ruído.

Utilize SEMPRE formões, brocas e lâminas afiadas.

Mantenha esta ferramenta de acordo com as instruções e bem lubrificada (quando aplicável).

Se a ferramenta tiver de ser utilizada regularmente, invista em acessórios anti-vibração e anti-ruído.

Planeie o seu horário de trabalho de forma a distribuir a utilização de ferramentas de alta vibração ao longo de vários dias.

## ACESSÓRIOS

	WX530	WX530.1	WX530.9
Lâmina com ponta de carboneto	1	1	1
Adaptador anti-poeira	1	1	1

Chave hexagonal	1	1	1
Conjunto de baterias (WA3551.1)	1	/	/
Conjunto de baterias (WA3553)	/	1	/
Carregador (WA3860)	1	1	/

Recomendamos-lhe que compre todos os acessórios no fornecedor onde tenha adquirido a ferramenta. Para mais pormenores, consulte a embalagem destes. Os comerciais também pode ajudar e aconselhar.

## INSTRUÇÕES DE FUNCIONAMENTO



**NOTA:** Antes de usar a ferramenta, leia o livro de instruções cuidadosamente.

### UTILIZAÇÃO DE ACORDO COM AS DISPOSIÇÕES:

A ferramenta serve para ripar e cortar madeira na transversal e outros materiais em linhas de corte retas, com apoio firme na peça de trabalho.

## MONTAGEM E FUNCIONAMENTO

AÇÃO	FIGURA
<b>ANTES DO FUNCIONAMENTO</b>	
Colocação/remoção da bateria	Ver Fig. A1
Carregamento da bateria	Ver Fig. A2
Verificar o estado de carga da bateria (apenas para WX530.1)	Ver Fig. A3
<b>MONTAGEM</b>	
Montagem e Remoção da lâmina de serra <b>Nota: bloqueie ou solte o parafuso da lâmina, deve pressionar o botão de bloqueio do eixo.</b>	Ver Fig. B
<b>AVISO:</b> remova sempre a bateria antes de substituir a lâmina!	
Área para armazenamento da chave hexagonal	Ver Fig. C
<b>FUNCIONAMENTO</b>	

Ligar e desligar  <b>AVISO:</b> de modo a evitar lesões provocados por corte da lâmina afiada, não coloque as mãos em redor da Placa de Base. <b>NOTA:</b> Mantenha o adaptador contra poeira conectado ao dispositivo de coleta de poeira ao usar a ferramenta.	Ver Fig. D
Ajustar a profundidade de corte	Ver Fig. E
Guia de corte	Ver Fig. F
Cortes em bisel <b>NOTA: O corte em bisel não pode ser utilizado no modo EXACTRACK™.</b>	Ver Fig. G
Remoção de poeira de serragem	Ver Fig. H

### EXACTRACK™

#### O que é EXACTRACK™?

EXACTRACK™ é uma função inovadora que pode ajudar a realizar um corte reto mais facilmente ao manter a lâmina nivelada contra a placa guia de corte.

#### Notas de segurança

 **AVISO: Os dentes da lâmina de serra são extremamente afiados. Usar luvas de protecção.**

**Mantenha as mãos afastadas da protecção inferior da lâmina após abrir a protecção a protecção inferior da lâmina.**

#### Âmbito de funcionamento EXACTRACK™

- EXACTRACK™ opera entre 0–43mm de profundidade. (Ver Fig. I)
- EXACTRACK™ funciona apenas com 90 graus, não funciona com qualquer ângulo de corte em bisel.

#### Antes do funcionamento

 **AVISO: Remova o conjunto de pilhas da ferramenta antes de realizar qualquer ajuste e, por favor, coloque o conjunto da bateria perto da serra.**

- Ajuste a profundidade de corte desejada (intervalo de 0–43mm). (Ver Fig. I)
- Rode a alavanca para o modo EXACTRACK™. (Ver Fig. J)
- Marque a linha de corte desejada na peça de trabalho e, em seguida, prenda a placa guia de corte (não fornecida) para tornar o bordo da placa reto na linha de corte, o comprimento da placa guia de corte deve deixar 230 mm de comprimento adicional em ambas as extremidades. (Ver Fig. K1)
- Coloque a placa de subbase EXACTRACK™ (parte vermelha) no topo da placa guia de corte (não fornecida) e assegure que a placa base principal está assente na peça de trabalho. (Ver Fig. K2)
- Abra a protecção inferior da lâmina manualmente

 **mantenha as mãos afastadas da lâmina**, empurre a serra contra o lado da placa guia de corte e, em seguida, solte a mão da protecção inferior da lâmina. (Ver Fig. K3)

### Funcionamento

- Instalar o conjunto de pilhas.
- Por favor, segure a serra firmemente com ambas as mãos e assegure que a placa base principal encaixa em segurança contra a placa guia de corte (não fornecida) durante o corte. (Ver Fig. K4)
- Ligue a ferramenta para iniciar o corte (Ver Fig. K5)

### Modo STANDARD

Para realizar um corte regular a 90 graus ou em bisel (desative a função EXACTRACK™), rode a alavanca para o modo STANDARD e a sua ferramenta pode ser utilizada como uma serra circular padrão. (Ver Fig. L)

O modo STANDARD pode ser utilizado na profundidade de corte de 0–55 mm (90 graus), 0–39mm (45 graus).

**Para obter informações sobre o produto, acesse a [www.worx.com](http://www.worx.com) e assista ao Vídeo Tutorial.**



## DICAS DE TRABALHO PARA A SUA FERRAMENTA

Se a sua ferramenta eléctrica aquecer muito, faça-a funcionar sem carga durante 2-3 minutos para arrefecer o motor. Evite utilizações prolongadas a velocidades muito baixas.

Proteja as lâminas da serra contra impacto e choque. Não force a ferramenta. Aplique uma pressão ligeira e contínua de modo a evitar o sobreaquecimento das pontas da lâmina. Exercer força extrema no corte pode reduzir significativamente a capacidade de desempenho da ferramenta e reduzir a vida útil da lâmina da serra. O desempenho da serragem e a qualidade do corte dependem essencialmente do estado e do número de dentes da lâmina de serra. Como tal, utilize apenas lâminas de serra afiadas adequadas para o material a ser cortado.

Seleção de lâminas: 24 dentes para trabalho em geral, aprox. 40 dentes para cortes mais finos, mais de 40 dentes para cortes muito finos em superfícies delicadas, diamante para ladrilho, painel de cimento, etc.

Utilize apenas lâminas de serra recomendadas.

## MANUTENÇÃO

**Remova o conjunto de pilhas da ferramenta antes de realizar qualquer ajuste, reparação ou manutenção.**

Mantenha as ferramentas afiadas e limpas para um desempenho melhor e mais seguro. Siga as instruções para lubrificar e substituir acessórios. A sua ferramenta não requer qualquer lubrificação ou manutenção adicional. Na sua ferramenta eléctrica, não existem componentes susceptíveis de serem substituídos pelo utilizador. Nunca utilize água ou produtos químicos para limpar a sua ferramenta. Limpe-a com um pano macio e seco. Guarde sempre a sua ferramenta num local seco. Mantenha as ranhuras de ventilação do motor devidamente limpas. Mantenha todos os controlos de trabalho sem poeira.

Limpe periodicamente a poeira e as aparas da protecção e da base de modo a garantir um desempenho apropriado.

### PARA FERRAMENTAS ELÉTRICAS

O intervalo de temperatura ambiente para a ferramenta e utilização e armazenamento da bateria é entre 0°C e 45°C. O intervalo de temperatura ambiente recomendado para o sistema de carregamento durante o carregamento é entre 0°C e 40°C.

## PROTECÇÃO AMBIENTAL



Os equipamentos eléctricos não devem ser despositados com o lixo doméstico. Se existirem instalações adequadas deve reciclá-los. Consulte a sua autoridade local para tratamento de lixos ou fornecedor para obter aconselhamento sobre reciclagem.

## RESOLUÇÃO DE PROBLEMAS

Sintoma	Possíveis Causas	Possível Solução
A ferramenta não efetua o arranque quando o disparo Ligar/Desligar é acionado.	O conjunto de pilhas não está ligado.	Verifique se o conjunto de pilhas está correctamente ligado a uma tomada ativa.
	O conjunto de pilhas está desligado.	Carregamento da bateria.
A profundidade de corte é inferior à definida.	Poeira de serragem acumulada na parte traseira da base.	Sacuda a poeira de serragem. Pode ligar um aspirador para recolher o pó.
A lâmina roda ou desliza	A lâmina não está bem presa ao eixo.	Remova e volte a instalar a lâmina tal como descrito na secção <b>INSTALAR / TROCAR A LÂMINA.</b>
A lâmina não corta em linha reta.	A lâmina está cega.	Monte uma lâmina nova e afiada na serra.
	A lâmina não está montada correctamente.	Verifique se a lâmina está montada correctamente.
	A serra não está a ser guiada devidamente.	Utilize uma guia de extremidade.
A lâmina ressalta quando começa a cortar.	A lâmina não está a rodar suficientemente rápido.	Deixe que a lâmina de serra atinja a máxima velocidade antes de iniciar um corte no material.

## DECLARAÇÃO DE CONFORMIDADE

Nós,  
POSITEC Germany GmbH  
Grüner Weg 10, 50825 Cologne, Germany

Declaramos que o produto  
Descrição **Serra circular sem fio**  
Tipo **WX530 WX530.1 WX530.9 (5-  
designação de aparelho mecânico,  
representativo de Serra)**  
Função **Corte de materiais diversos, com uma  
lâmina rotativa dentadas**

Cumpre as seguintes Directivas  
**2006/42/EC, 2014/30/EU,  
2011/65/EU&(EU)2015/863**

Normas em conformidade com  
**EN 62841-1, EN 62841-2-5, EN 55014-1,**

### EN 55014-2

Pessoa autorizada a compilar o ficheiro técnico,  
**Nome Marcel Filz**  
**Endereço Positec Germany GmbH Grüner Weg  
10, 50825 Cologne, Germany**



2019/5/28  
Allen Ding  
Engenheiro-chefe adjunto, Teste e Certificação  
Positec Technology (China) Co., Ltd  
18, Dongwang Road, Suzhou Industrial Park,  
Jiangsu 215123, P.R. China

# PRODUKTSÄKERHET GENERELLA SÄKERHETSVARNINGAR FÖR ELVERKTYG

 **Varning:** Läs alla säkerhetsföreskrifter, instruktioner, illustrationer och specifikationer som följer med detta elverktyg. Underlåtelse att följa instruktionerna nedan kan leda till elstöt, brand och/eller allvarlig skada.

## Spara alla varningar och instruktioner för framtida bruk.

Termene "strömförande verktyg" i alla varningsmeddelandena nedan avser ditt (sladdverktyg) strömförande verktyg eller batteridrivna (sladdlösa) strömförande verktyg.

### 1) ARBETSOMRÅDET

- Håll arbetsområdet rent och väl upplyst.** Skräpiga och mörka områden är skaderisker.
- Använd inte strömförande verktyg i explosiva miljöer, som nära brandfarliga vätskor, gaser eller damm.** Strömförande verktyg skapar gnistor som kan antända damm eller ångor.
- Håll barn och åskådare borta när du använder ett strömförande verktyg.** Distractioner kan göra att du förlorar kontrollen.

### 2) ELSÄKERHET

- Stickkontaktarna till verktyget måste matcha eluttaget. Modifiera inte stickkontakten på något sätt. Använd inte adapterkontakter i samband med jordade strömförande verktyg.** Omodifierade stickkontakter och matchande eluttag minskar risken för elstöt.
- Undvik kroppskontakt med jordade ytor som rör, element, spisar och kylskåp.** Det finns en större risk för elstöt om din kropp är jordad.
- Exponera inte strömförande verktyg för regn eller fuktiga förhållanden.** Kommer det in vatten i ett strömförande verktyg ökar det risken för elstöt. Bära, dra eller dra ut stickkontakten för det.
- Missbruka inte sladden. Använd aldrig sladden för att strömförande verktyg. Håll sladden borta från hetta, olja, skarpa kanter eller rörliga delar.** Skadade eller tilltrasslade sladdar ökar risken för elstöt.
- När du använder ett strömförande verktyg utomhus använder du en förlängningssladd som lämpar sig för utomhus bruk.** Använder du en sladd för utomhus bruk reducerar du risken för elstöt.
- Om det inte går att undvika att driva ett elverktyg i en fuktig lokal, använd**

**då en restströmsskyddad (RCD) strömtilförelsanordning.** Användning av en RCD minskar risken för elektriska stötter.

### 3) PERSONLIG SÄKERHET

- Var uppmärksam, håll ögonen på vad du gör och använd sunt förnuft när du använder ett strömförande verktyg. Använd inte ett strömförande verktyg när du är trött eller påverkad av droger, alkohol eller läkemedel.** En kort stund av ouppmärksamhet med strömförande verktyg kan resultera i allvarliga personskador.
  - Använd säker utrustning. Använd alltid skyddsglasögon.** Säkerhetsutrustning som munskydd, halkfria skor, skyddshjälm eller hörselskydd som används när det behövs kommer att reducera personskador.
  - Förhindra ofrivillig start. Se till att kontakten är i off-läge innan du ansluter till strömkälla och/eller batterienhet, tar upp eller bär med dig verktyget.** Bär du strömförande verktyg med fingret på kontakten eller sätter i stickkontakten i elluttaget när kontakten är i PÅ-läge utgör det en skaderisk.
  - Ta bort alla skiftnycklar eller skruvnycklar innan du sätter på det strömförande verktyget.** En skift- eller skruvnyckel som lämnas kvar på en roterande del på ett strömförande verktyg kan orsaka personskador.
  - Sträck dig inte för långt. Bibehåll alltid fotfästet och balansen.** Detta gör att du kan kontrollera verktyget bättre i oväntade situationer.
  - Klä dig rätt. Använd inte löst sittande kläder eller smycken.** Håll ditt hår och dina kläder borta från rörliga delar. Lösa kläder, smycket eller långt hår kan snärjas in i rörliga delar.
  - Om det på enheterna finns anslutning för dammsug och dammuppsamling ser du till att de är anslutna och används korrekt.** Använder du dessa anordningar reducerar det dammrelaterade faror.
  - Låt inte förtrogenhet, tack vare frekvent användning av verktyget, lura dig att känna dig för tryggt med det och därmed ignorera säkerhetsföreskrifterna.** En vårdslös handling kan orsaka allvarlig skada inom loppet av en sekund.
- ### 4) ANVÄNDNING OCH UNDERHÅLL AV STRÖMFÖRANDE VERKTYG
- Forcera inte det strömförande verktyget. Använd korrekt verktyg för arbetet.** Det korrekta verktyget kommer att göra jobbet bättre och säkrare med den hastighet den tillverkats för.
  - Använd inte verktyget om kontakten inte sätter på eller stänger av det.** Alla strömförande verktyg som inte kan

kontrolleras med kontakten är farliga och måste repareras.

- c) **Koppla bort kontakten från strömkällan och/eller ta bort batterierna, om de är löstagbara, från elverktyget, innan du utför några justeringar, ändrar I tillbehören eller magasinerar elverktygen.** Sådana förebyggande säkerhetsåtgärder reducerar risken för att du startar verktyget oavsiktligt.
- d) **Förvara verktyget som inte används utom räckhåll för barn och låt inte någon person använda verktyget som inte känner till verktyget eller dessa anvisningar.** Strömförande verktyg är farliga i händerna på utbildade användare.
- e) **Håll koll på elverktyget och tillbehören. Kontrollera inriktningen eller fästet för rörliga delar, defekta delar och alla andra saker som kan påverka användningen av elverktyget. Om den skadats måste elverktyget repareras före användning.** Många olyckor orsakas av felaktigt underhållna elverktyg.
- f) **Håll sågverktyget skarpa och rena.** Korrekt underhållna skärverktyg med skarpa egg kommer inte att köra fast lika ofta och är enklare att kontrollera.
- g) **Använd elverktyget, tillbehören och verktygsbiten etc. i enlighet med dessa anvisningar och på det sätt som avsetts för varje typ av elverktyg. Ha också i åtanke arbetsförhållandena och arbetet som skall utföras.** Använder du elverktyg för åtgärder som skiljer sig det avsedda arbetet kan det resultera i riskfyllda situationer.
- h) **Håll handtag och greppytor torra, rena och fria från olja och fett.** Hala handtag och greppytor ger inte säker hantering och kontroll över verktyget i oväntade situationer.

## 5) ANVÄNDNING OCH SKÖTSEL AV SLADDLÖSA VERKTYG

- a) **Ladda bara med den laddare som tillverkaren anger.** En laddare som passar en typ av batteripaket kan medföra en risk för brand när den används till ett annat batteripaket.
- b) **Använd elverktyg bara tillsammans med det särskilt konstruerade batteripaketet.** Användning av andra batteripaket kan medföra en risk för personsador och brand.
- c) **När batteripaketet inte används ska det hållas borta från metallföremål som gem, mynt, nycklar, skruvar och andra små metallföremål som kan skapa kontakt mellan batteripaketets poler och kortsluta det.** En kortslutning kan orsaka brännskador och brand.
- e) **Använd inte ett batteripaket eller verktyg som skadats eller modifierats.** Skadade eller modifierade batterier kan uppvisa förväntade beteende som kan leda till brand,

explosion eller skada.

- f) **Utsätt inte batteripack eller verktyg för eld eller höga temperaturer.** Eld eller temperaturer som överstiger 130°C kan orsaka explosioner.
  - g) **Följ alla laddningsinstruktioner och ladda inte batteripacket eller verktyget utanför temperaturintervallen som anges i instruktionerna.** Felaktig laddning eller laddning i temperaturer utanför det angivna temperaturintervallen kan skada batteriet eller öka brandrisken.
- 6) **UNDERHÅLL**
- a) **Låt ditt elverktyg underhållas av en kvalificerad reparatör som bara använder äkta reservdelar.** Det kommer att garantera att elverktygets säkerhet bibehålls.
  - b) **Försök aldrig reparera skadade batteripack.** Batteripack får endast underhållas av tillverkaren eller behöriga servicetekniker.

## SÄKERHETSINSTRUKTIONER FÖR ALLA SÅGAR

### SÅGMETOD

- a)  **WARNING: Håll händerna borta från sågområdet och från bladet. Håll den andra handen på hjälphandtaget eller på motorhuset.** Om båda händerna håller sågen kan de inte skadas av sågbladet.
- b) **För inte in händerna under arbetsstycket.** Sågskyddet kan inte skydda dig från bladet under arbetsstycket.
- c) **Ställ in sågdjupet till arbetsstyckets tjocklek.** Mindre än en hel tand på bladet ska synas under arbetsstycket.
- d) **Håll aldrig arbetsstycket med händerna eller över benet.** Sätt fast arbetsstycket i ett stabilt underlag. Det är viktigt att arbetsstycket får ett ordentligt stöd för att minimera risken för personsador, undvika klämning av bladet eller att kontrollen över maskinen förloras.
- e) **Håll elverktyget med isolerande handskar vid sågning där sågbladet kan komma i kontakt med dolda elektriska ledningar eller med den egna sladden.** En kontakt med en spänningsförande ledning gör att även alla andra utvändiga metalldelar av verktyget blir spänningsförande och kan ge användaren en elektrisk chock.
- f) **Vid klyvsågning, använd alltid ett klyvstaket eller en styrning för rak kant.** Detta förbättrar noggrannheten på sågsnittet och minskar risken att bladet kärvar.
- g) **Använd alltid blad med rätt storlek och form för axelhål.** Blad som inte passar sågens fästansordningar kommer att arbeta excentriskt så att du förlorar kontrollen över maskinen.
- h) **Använd aldrig skadade eller felaktiga bladbrickor eller bultar.** Bladbrickorna och

bulten är särskilt konstruerade för sågen för optimala egenskaper och säker användning.

## YTTERLIGARE SÄKERHETSINSTRUKTIONER FÖR ALLA SÅGAR

### För att förhindra rekylar

- Rekyl uppstår plötsligt när sågklingan är klämd, böjd eller felaktigt inriktad, och gör att en okontrollerad såg lyfts upp och ut från arbetsstycket mot användaren;
  - När klingan är snävt klämd eller böjd på grund av att hållaren går ner kommer klingan att stoppa och motorn för enheten mycket snabbt tillbaka mot användaren;
  - Om klingan blir för böjd eller felaktigt inriktad i sågspåret kommer tänderna på den bakre änden av klingan att gå ner djupt i träets yta och göra att den förs ut ur hållaren och hoppar tillbaka mot användaren.  
En rekyl uppstår på grund av att sågen används felaktigt och/eller på grund av felaktigt bruk eller förhållanden och kan undvikas med hjälp av åtgärderna som beskrivs nedan.
- a) **Bibehåll ett fast grepp med båda händerna på sågen och håll armarna på ett sådant sätt att det motverkar rekylar. Håll kroppen på en av sidorna om klingan, men inte i såglinjen.** En rekyl gör att sågen hoppar tillbaka, men rekylar kan kontrolleras av användaren, om nödvändiga åtgärder utförs.
  - b) **När bladet kör fast eller när en sågning avbryts av någon anledning, släpper du på knappen och håller sågen stilla i materialet tills klingan stoppar helt. Försök aldrig ta bort sågen från arbetsstycket eller dra den tillbaka samtidigt som klingan rör på sig eller rekyl kan uppstå.** Kontrollera och vidta nödvändiga åtgärder för att eliminera orsaken till att klingan kör fast.
  - c) **När du startar om sågen i arbetsstycket, centrerar du sågklingan i hållaren och kontrollerar att sågtänderna inte vidrör materialet.** Om klingan kör fast kan den hoppa upp eller framkalla rekyl från arbetsstycket när sågen startas om.
  - d) **Håll fast stora paneler för att minimera risken för att bladet kläms fast eller rekylar.** Stora paneler kan svikta under sin egen vikt. Man måste placera stöd under panelen på båda sidor, när såglinjen och nära panelens kant.
  - e) **Använd inte slöa eller skadade klingor.** Oslipade eller felaktigt isatta klingor i hållaren skapar överdriven friktion, gör att sågen fastnar och orsakar rekyl.
  - f) **Justerspakarna för klingans djup och fasning måste vara spända innan sågningen görs.** Om klingans justering växlar

vid sågningen kan det göra att klingan kör fast eller rekylar.

- g) **Var extra försiktig när du gör en "sänksågning" i väggar eller andra otydliga områden.**

## SÄKERHETSINSTRUKTIONER FÖR CIRKELSÅG MED INRE PENDELSKYDD

### NEDRE SKYDDSFUNKTION

- a) **Kontrollera det undre skyddet så att det stängts säkert före varje användning. Använd inte sågen om det under skyddet inte kan flyttas fritt och stängs direkt. Spänn eller bind aldrig fast det undre skyddet i öppen position.** Om sågen tappas kan det undre skyddet böjas. Lyft på det undre skyddet med handtaget och se till att det rörs fritt och inte vidrör klingan eller andra delar, i alla sågvinklar och -djup.
- b) **Kontrollera fjädern på det undre skyddet. Om skyddet och fjädern inte fungerar korrekt måste de repareras före användning.** Det undre skyddet kan fungera dåligt på grund av skadade delar, gummiavlagringar eller ansamlad skräp.
- c) **Det undre skyddet bör bara dras tillbaka manuellt för specialsågningar som "sänksågning" och "sammansatt sågning". Hög det undre skyddet genom att dra tillbaka handtaget och så snart klingan går ner i materialet, måste det undre skyddet släppas.** Vid alla annan sågning bör det undre skyddet fungera automatiskt.
- d) **Se alltid till att det undre skyddet täcker klingan innan du placerar sågen på en bänk eller ett golv.** En oskyddad klinga gör att sågen rör sig bakåt och sågar allt i dess väg. Vad medveten om den tid det tar för klingan att stanna efter att kontakten släppts.

## YTTERLIGARE SÄKERHETSINSTRUKTIONER FÖR EXACTRACK™-KAPNING

- a) Det undre skyddet kan dras tillbaka för hand endast för EXACTRACK™-kapning. Hög det undre skyddet genom att dra tillbaka handtaget och så fort klingan går in i materialet måste det undre skyddet frigöras. För alla andra former av sågning bör det undre skyddet drivas automatiskt.
- b) Medan EXACTRACK™ sågar kan strömbrytaren bara slå på så fort klingan går in i materialet.

# YTTERLIGARE SÄKERHETSREGLER FÖR DIN CIRKELSÅG

1. Använd endast sågblad rekommenderad av tillverkaren, som överensstämmer med en EN 847-1, om sågen är avsedd för trä och liknande material.
2. Använd inte cirkelsågen för att såga trägrenar eller stockar.
3. Använd endast klingdiameter i enlighet med markeringarna.
4. Identifiera det korrekta sågbladet som ska användas för materialet som ska skäras.
5. Använd endast ett sågblad som är märkta med en hastighet lika med eller högre än den hastighet som markeras på verktyget.

## SÄKERHETSFÖRESKRIFTER FÖR BATTERIET

- a) **Ta inte isär batteriet, öppna inte heller batteriet eller sära på battericeller.**
- b) **Kortslut inte batteriet. Förvara inte batteriet på ett slarvigt sätt i en låda där det kan kortslutas eller skadas av ledande material.**  
När batteriet inte används, håll det borta från metallobjekt, såsom pappersgem, pengar, nycklar, naglar, skruvar eller andra små metallobjekt som kan leda ström från en terminal till en annan. Om batteriterminalerna kortsluter varandra kan de försäkra brandrisk.
- c) **Exponera inte batteriet för eld eller värme. Undvik förvaring i direkt solljus.**
- d) **Utsätt inte batteriet för mekanisk chock.**
- e) **Om batteriet läcker, låt inte vätskan komma i kontakt med hud eller ögon. Om så ändå skulle hända, skölj med mycket vatten och sök läkarhjälp.**
- f) **Sök omedelbar läkarhjälp om någon har svårt en battericell eller batteriet.**
- g) **Håll batteriet rent och torrt.**
- h) **Torka av batteriet om det blir smutsigt med en torr, ren trasa.**
- i) **Batteriet måste laddas före användning. Använd den här bruksanvisningen för att ladda batteriet korrekt.**
- j) **Låt inte batteriet stå på laddning när det inte används.**
- k) **Efter lång tids användning kan det bli nödvändigt att ladda och ladda ur batteriet många gånger för att nå maximal prestanda.**
- l) **Batterier fungerar bäst när de används vid normal rumtemperatur (20 °C ± 5 °C).**
- m) **När du kasserar batteriet, se till att hålla batterier med olika elektrokemiska system ifrån varandra.**
- n) **Ladda endast med laddare av varumärket WORX. En laddare som passar för en viss typ av batteri kan försäkra brandrisk vid användning**

- tillsammans med ett annat batteri.
- o) **Använd inte ett batteri som inte är avsett för användning med det här verktyget.**
  - p) **Håll batteriet borta från barn.**
  - q) **Behåll den ursprungliga bruksanvisningen för framtida användning.**
  - r) **Plocka ur batteriet från verktyget då det inte används.**
  - s) **Kassera batteriet på rätt sätt.**
  - t) **Blanda inte celler från olika tillverkning, kapacitet, storlek eller typ inom en enhet.**
  - u) **Avlägsna inte batteriet från originalförpackningen tills det är nödvändigt för användningen.**
  - v) **Observera plus (+) och minus (-) märkningen på batteriet och säkerställa korrekt användning.**

## SYMBOLER

	För att minska risken för skador måste användaren läsa bruksanvisningen
	Varning
	Använd hörselskydd
	Använd skyddsglasögon
	Använd skyddsmask
	Får ej utsättas för regn eller vatten
	Får ej uppeldas
 Li-Ion	Kasta inte batterier i soptunnan. Lämna uttjänta batterier till din lokala uppsamlings eller återvinningsstation.

	Se till att ta ut batteriet innan du byter tillbehör eller justerar verktyget.
	Använd skyddshandskar
	Trä
	Klinga med karbidspets
	Lås
	Lå upp
	Uttjänade elektriska produkter får inte kasseras som hushållsavfall. Återanvänd där det finns anläggningar för det. Kontakta dina lokala myndigheter eller återförsäljare för återvinningsråd.

## KOMPONENTER

<b>1. SÄKERHETSKNAPP</b>
<b>2. STRÖMSTÄLLARE TILL/FRÅN</b>
<b>3. FRÄMRE HANDTAG</b>
<b>4. KAPMARKERING, 0°</b>
<b>5. KAPMARKERING, 45°</b>
<b>6. HUVUDPLATTA</b>
<b>7. FOTPLÅTENS LÅSNING FÖR SNEDSÅGNING</b>
<b>8. FOTPLÅTENS VINKELSKALA</b>
<b>9. INSEXNYCKEL</b>
<b>10. BATTERI*</b>
<b>11. UTLÖSNINGSKNAPP BATTERI*</b>
<b>12. FAST SKYDD</b>
<b>13. DAMMUTSUG</b>
<b>14. UNDER SKYDDSSPAK</b>
<b>15. EXACTRACK™ BASPLATTA</b>

<b>16. SÅGKLINGA</b>
<b>17. YTTRE FLÄNS</b>
<b>18. BLADBULT</b>
<b>19. UNDER BLADSKYDD</b>
<b>20. KNAPP</b>
<b>21. INRE FLÄNS</b>
<b>22. SÅGDJUPSSKALA (SE FIG. E)</b>
<b>23. LÅSHANDTAG FÖR SÅGDJUP (SE FIG. E)</b>
<b>24. SPAK FÖR BYTE AV HASTIGHET (SE FIG. E)</b>
<b>25. SPINDELLÅSKNAPP (SE FIG. K2)</b>

\*Avbildat eller beskrivet tillbehör ingår delvis inte i leveransomfånget.

## TEKNISKA DATA

Typ **WX530 WX530.1 WX530.9** (5-maskinbestämning, sågrepresentant)

	WX530	WX530.1	WX530.9
Spänning	20 V $\overline{\text{---}}$ Max**		
Hastighet utan last (märk)	4900/min		
Bladdiameter	165 mm		
Rackstorlek	20 mm		
Kapningskapacitet			
Kapningsdjup vid 45°	39 mm		
Kapningsdjup vid 90°	55 mm		
Avfasningskapacitet	0-50°		
Maskinens vikt (inklusive batteri)	2.3 kg		

\*\*Spänning uppmätt utan belastning. Initial batterispänning är max. 20V. Nominell spänning är 18V.

## BULLERINFORMATION

Uppmätt ljudtryck	$L_{pA}$ = 82.8 dB(A)
Uppmätt ljudstyrka	$L_{wA}$ = 93.8 dB(A)
$K_{pA}$ & $K_{wA}$	3 dB(A)



## VIBRATIONSFÖRUTSÄTTNING

Vibrationernas totalvärden (trixax vektorsumma) är fastställda enligt EN 62841:

Vibrationsemissionsvärde:	Sågning av trä: $a_{h,w} = 6.572 \text{ m/s}^2$
	Osäkerhet $K = 1.5 \text{ m/s}^2$

Det angivna totala vibrationsvärdet och det angivna bullervärdet har uppmätts i enlighet med en standardtestmetod och kan användas för att jämföra ett verktyg med ett annat.

Det angivna totala vibrationsvärdet och det angivna bullervärdet kan också användas i en preliminär exponeringsbedömning.

**! VARNING:** Vibrationer och buller vid användning av elverktyget kan skilja sig från det angivna värdet beroende på vilket sätt verktyget används på, särskilt vilken typ av arbetsstycke som bearbetas beroende på följande exempel och andra varianter på hur verktyget används:

Hur verktyget används och materialet som skärs eller borrar.

Verktyget är i bra skick och bra underhåll.

Användning av korrekt tillbehör för verktyget och säkerställ att de är skarpa och i bra skick.

Åtdragningsgraden av greppet på handtagen och om några antivibrations- och bullertillbehör används.

Och att verktyget används såsom avsett enligt dess konstruktion och dessa instruktioner.

**Detta verktyg kan orsaka hand-arm vibrationsyndrom om det används på felaktigt sätt.**

**! VARNING:** För att vara korrekt bör en beräkning av exponeringsnivån under verkliga förhållanden vid användning också tas med för alla delar av hanteringscykeln såsom tiden när verktyget är avstängt och när det körs på tomgång utan att utföra något arbete. Detta kan betydligt minska exponeringsnivån över den totala arbetsperioden.

Hjälp för att minimera din exponering för vibrationer och buller.

Använd ALLTID skarpa mejslar, borrar och blad.

Underhåll verktyget i enlighet med dessa instruktioner och håll det välsmort (där så behövs).

Om verktyget ska användas regelbundet investera då i antivibrations- och bullertillbehör.

Planera ditt arbetsschema för att sprida ut användning av kraftigt vibrerande verktyg över flera dagar.

## TILLBEHÖR

	WX530	WX530.1	WX530.9
Klinga med karbidspets	1	1	1
Dammhanterare	1	1	1
Insexnyckel	1	1	1
Batteri (WA3551.1)	1	/	/
Batteri (WA3553)	/	1	/
Laddning (WA3860)	1	1	/

Vi rekommenderar att du köper alla dina tillbehör från samma affär där du köpte verktyget. Se avsnittet med arbetstips i denna bruksanvisning eller tillbehörets förpackning för mer information. Affärspersonalen kan också hjälpa dig och ge dig råd.

## ANVÄNDARHANDLEDNING



**OBS:** Innan du använder verktyget, läs noga igenom bruksanvisningen.

### ÄNDAMÅLSENLIG ANVÄNDNING:

Verktyget är avsett för rippning och tvärgående trä och andra material i raka skärlinor medan arbetsstycket vilar mot en fast yta.

## MONTERING OCH DRIFT

ÅTGÄRD	FIGURE
<b>ÅTGÄRD FIGURE</b>	
Montera/borttagning av batteri	Se Fig. A1
Ladda batteriet	Se Fig. A2
Kontroll av batteriladdningstillståndet (endast för WX530.1)	Se Fig. A3

### MONTERING

Montering och borttagning av sågblad  
**Obs: Läs eller lossa bladbulen, spindellåsningknappen ska tryckas in.**

Se Fig. B

**! VARNING!** Ta alltid bort batteriet innan bladet byts!

Insexnyckelslagring

Se Fig. C

### DRIFT

Säkerhetsbrytare på/av  <b>VARNING:</b> För att undvika ett skärskador från den vassa klingan, ska du inte sätta händerna runt bottenplattan. <b>OBS:</b> När du använder verktyget, anslut dammadaptern till dammsamlaren.	Se Fig. D
Skärdjupsinställning	Se Fig. E
Skärningsguide	Se Fig. F
Avsnittsskärningar <b>OBS: Skärningen kan inte användas under EXACTRACK™-läge.</b>	Se Fig. G
Borttagning av sågspån	Se Fig. H

## EXACTRACK™

### Vad är EXACTRACK™?

EXACTRACK™ är en innovativ funktion som hjälper dig att såga rakt genom att hålla klingan rakt mot sågbänken.

### Säkerhetsanvisningar

 **VARNING: Klingans tänder är mycket vassa, använd handskar.**

**Håll händerna borta från det nedre klingskyddet efter att ha öppnat det nedre klingskyddet.**

### EXACTRACK™ driftområde

- EXACTRACK™ kan användas från 0–43 mm i djup. (Se Fig. I)
- EXACTRACK™ kan endast såga i 90 grader och kan inte användas för att såga i vinkel eller smygsvinkel.

### Före drift

 **VARNING: Avlägsna batteripaketet från verktyget innan du utför någon typ av justering. Se till att placera batteripaketet nära sågen.**

- Ställ in det önskade sågdjupet (0–43 mm). (Se Fig. I)
- Sätt spaken i läget EXACTRACK™. (Se Fig. J)
- Märk ut den önskade såglinjen på arbetsstycket och spänn fast det på sågbänken (ingår ej) så att kanten på bänken ligger rakt mot såglinjen. Sågbänkens längd bör lämna minst 230 mm på båda sidorna. (Se Fig. K1)
- Placera EXACTRACK™ underbasplattan (röda delen) ovanpå sågbänken (ingår ej) och se till att huvudbasplattan sitter på arbetsstycket. (Se Fig. K2)
- Öppna det nedre klingskyddet manuellt ( **håll händerna borta från klingan**), tryck sågen mot sidan av sågbänken och ta sedan bort handen från det nedre klingskyddet. (Se Fig. K3)

### Drift

- Sätt i batteripacken.
- Se till att hålla sågen säkert med båda händerna

- så att huvudbasplattan sitter säkert mot sågbänken (ingår ej) när du sågar. (Se Fig. K4)
- Sätt på verktyget för att börja skära (Se Fig. K5)

### STANDARD-läge

För normal 90-graders- eller smygsvinkelsågning (avaktivera EXACTRACK™-funktionen), sätter du spaken i läget STANDARD för att använda verktyget som en normal cirkelsåg. (Se Fig. L)  
Läget STANDARD kan användas med ett sågdjup på 0–55 mm (90 grader), 0–39 mm (45 grader).

### Mer produktinformation samt

**instruktionsvideor finns på [www.worx.com](http://www.worx.com).**



## ARBETSTIPS FÖR DITT VERKTYG

Om ditt verktyg blir för varmt, använd det utan belastning i 2-3 minuter för att kyla av motorn. Undvik att använda verktyget länge vid låga hastigheter.

Skydda sågklingorna mot stötar och slag. Forcera inte verktyget. Tillämpa lätt och kontinuerlig kraft på verktyget för att undvika att överhätta klingspetsarna. För kraftig matning reducerar i hög grad maskinens kapacitet och minskar sågklingans livslängd.

Sågresultatet och snittkvaliteten är i stor utsträckning beroende av sågklingas skick och tandform. Använd därför endast välskärpta och för aktuellt material lämpliga sågklingor.

Val av klingor: 24 tänder för allmänna arbeten, ungefär 40 tänder för finare sågningar, mer än 40 tänder för mycket fina sågningar för sköra ytor. Använd endast rekommenderade sågklingor.

## UNDERHÅLL

**Avlägsna batteripaketet från verktyget innan du utför någon typ av justering, service eller underhåll.**

Håll verktygen vassa och rena för bättre och säkrare prestanda. Följ instruktionerna för smörjning och byte av tillbehör. Ditt verktyg kräver inte extra smörjning eller underhåll. Det finns inga delar som kan repareras av användaren i verktyget. Använd aldrig vatten eller kemiska medel för att rengöra verktyget. Torka rent med en torr trasa. Förvara alltid verktyget på en torr plats. Håll motorns ventileringsöppningar rena. Håll alla arbetskontroller fria från damm. Ta regelbundet bort damm och flisor från skydd och bas för att bibehålla sågens prestanda.

### FÖR BATTERIVERKTYG

Omgivningstemperaturintervallen för att använda eller förvara verktyget och batteriet är 0°-45°C.

Det rekommenderade omgivningstemperaturintervallen för laddningssystem vid laddning är 0°-40°C.

## MILJÖSKYDD



Uttjänta elektriska produkter får inte kasseras som hushållsavfall. Återanvänd där det finns anläggningar för det. Kontakta dina lokala myndigheter eller återförsäljare för återvinningsråd.

## FELSÖKNING

Symptom	Möjliga orsaker	Möjlig lösning
Verktuget startar inte när du trycker på på/av-omkopplaren.	Batteripacken är inte ansluten. Batteripacken är avstängd.	Kontrollera att batteripacken är ansluten ordentligt i ett vägguttag Laddning av batteriet.
Skärdjupet är mindre än det du har ställt in.	Sågdamm har ansamlats baktill på basen.	Skaka ut sågdamm. Överväg att ansluta en dammsugare för dammupsamling.
Sågbladet spinner eller glider.	Sågbladet är inte ordentligt fastsatt på spindeln.	Ta bort sågbladet, och sätt sedan på det igen enligt beskrivning i avsnittet <b>INSTALLERA/BYTA SÅGBLAD.</b>
Sågbladet sågar inte rakt.	Sågbladet är slött. Sågbladet är felmonterat. Sågen är inte rätt inriktad.	Montera ett nytt, vasst sågblad, på sågen. Kontrollera att sågbladet är rätt monterat. Använd ett parallellanslag.
Sågbladet kastar bakåt (kickback) när du börjar såga.	Sågbladet rör sig inte tillräckligt snabbt.	Låt sågbladet nå full hastighet innan du börjar såga.

121

## DEKLARATION OM ÖVERENSSTÄMMESE

Vi,  
POSITEC Germany GmbH  
Grüner Weg 10, 50825 Cologne, Germany

Förklarar att denna produkt,  
Beskrivning **Batteridrivnen cirkelsåg**  
Typ **WX530 WX530.1 WX530.9 (5-maskinbestämning, sågrepresentant)**  
Funktion **Skärning av olika material med en roterande tandad blad**

Uppfyller följande direktiv:  
**2006/42/EC, 2014/30/EU,**  
**2011/65/EU&(EU)2015/863**

Standarder överensstämmer med  
**EN 62841-1, EN 62841-2-5, EN 55014-1,**  
**EN 55014-2**

Personen som godkänts att sammanställa den

tekniska filen,  
**Namn Marcel Filz**  
**Adress Positec Germany GmbH Grüner Weg**  
**10, 50825 Cologne, Germany**



2019/5/28  
Allen Ding  
Vice chefsingenjör, tester och certifiering  
Positec Technology (China) Co., Ltd  
18, Dongwang Road, Suzhou Industrial Park,  
Jiangsu 215123, P.R. China

# VARNOST IZDELKA SPLOŠNA VARNOSTNA OPOZORILA

 **OPOZORILO: Pred uporabo orodja, pozorno preberite vsa varnostna opozorila, navodila,** pregledajte ilustracije ter preverite tehnične podatke orodja. Neupoštevanje opozoril in navodil lahko privede do električnega udara in/ali resnih poškodb.

**Vsa opozorila in napatila shranite, ker jih boste v prihodnje še potrebovali.**

Pojem „električno orodje“, ki se pojavlja v nadaljnjem besedilu, se nanaša na električna orodja z električnim pogonom (z električnim kablom) in na akumulatorska električna orodja (brez električnega kabla).

## 1) VARNOST NA DELOVNEM MESTU

- a) **Delovno področje naj bo vedno čisto in dobro osvetljeno.** Nered in neosvetljena delovna področja lahko povzročijo nezgode.
- b) **Ne uporabljajte električnega orodja v okolju, kjer lahko pride do eksplozij oziroma tam, kjer se nahajajo vnetljive tekočine, plini ali prah.** Električna orodja povzročajo iskenje, zaradi katerega se lahko prah ali para vnameta.
- c) **Prosimo, da med uporabo električnega orodja ne dovolite otrokom ali drugim osebam, da bi se Vam približali.** Odvrčanje Vaše pozornosti drugam lahko povzroči izgubo kontrole nad napravo.

## 2) ELEKTRIČNA VARNOST

- a) **Priključni vtičač električnega orodja se mora prilegati vtičnici. Spreminjanje vtičaca na kakršenkoli način ni dovoljeno. Pri ozemljenih električnih orodjih ne uporabljajte vtičacev z adapterji.** Nespremenjeni vtičaci in ustrezne vtičnice zmanjšujejo tveganje električnega udara.
- b) **Zogibajte se telesnemu stiku z ozemljenimi površinami kot so na primer cevi, grelci, štedilniki in hladilniki.** Tveganje električnega udara je večje, če je Vaše telo ozemljeno.
- c) **Prosimo, da napravo zavarujete pred dežjem ali vlago.** Vdor vode v električno orodje povečuje tveganje električnega udara.
- d) **Ne uporabljajte kabla za nošenje ali obešanje električnega orodja in ne vlecite za kabel, če želite vtičač izvleči iz vtičnice. Kabel zavarujte pred vročino, oljem, ostrimi robovi ali premikajočimi se deli naprave.** Poškodovani ali zapleteni kabli povečujejo tveganje električnega udara.
- e) **Kadar uporabljate električno orodje zunaj, uporabljajte samo kabselske podaljške, ki so primerni za delo na prostem.** Uporaba kabselskega podaljška, ki je primeren za delo na prostem, zmanjšuje tveganje električnega udara.
- f) **Če je uporaba električnega orodja v vlažnem okolju neizogibna, uporabljajte stikalo za zaščito pred kvarnim tokom.** Uporaba zaščitnega stikala zmanjšuje tveganje električnega udara.
- 3) **OSEBNA VARNOST**
- a) **Bodite pozorni, pazite kaj delate ter se dela z električnim orodjem lotite z razumom. Ne uporabljajte električnega orodja, če ste utrujeni oziroma če ste pod vplivom mamil, alkohola ali zdravil.** Trenutek nepazljivosti med uporabo električnega orodja je lahko vzrok za resne telesne poškodbe.
- b) **Uporabljajte osebno zaščitno opremo in vedno nosite zaščitna očala.** Nošenje osebne zaščitne opreme, na primer maske proti prahu, nedrsečih zaščitnih čevljev, varnostne čelade ali zaščitnih slušnikov, kar je odvisno od vrste in načina uporabe električnega orodja, zmanjšuje tveganje telesnih poškodb.
- c) **Zogibajte se nenamernemu zagonu. Pred priključitvijo električnega orodja na električno omrežje in/ali na akumulator in pred dviganjem ali nošenjem se prepričajte, če je električno orodje izklopljeno.** Prenaslanje naprave s prstom na stikalu ali priključitev vklopljenega električnega orodja na električno omrežje je lahko vzrok za nezgodo.
- d) **Pred vklopjanjem električnega orodja odstranite nastavitvena orodja ali izvijače.** Orodje ali ključ, ki se nahaja v vrtečem se delu naprave, lahko povzroči telesne poškodbe.
- e) **Izogibajte se nenormalni tesni drži. Poskrbite za trdno stojišče in za stalno ravnotežje.** Tako boste v nepričakovanih situacijah električno orodje lahko bolje nadzorovali.
- f) **Nosite primerna oblačila. Ne nosite ohlapnih oblačil in nakita. Poskrbite, da se med delovanjem električnega orodja vaši lasje, oblačila in rokavice, ne bodo ujeli med premikajoče se dele.** Premikajoči se deli orodja lahko zagrabijo ohlapno oblačilo, dolge lase ali nakit.
- g) **Če ima električno orodje predvideno namestitvev enot za odsesavanje prahu ali zbiranje delcev, poskrbite, da bodo te tudi pravilno nameščene in uporabljene.** Če uporabljate enoto za zbiranje delcev, obstaja manjša nevarnost nesreč zaradi prahu.
- h) **Upošteвайте, da boste s pogosto uporabo orodja, z njim postali zelo domači, zaradi česar bi lahko ravnali ravnodušno, ter spregledali varnostna pravila za uporabo orodja.** Nepremišljeno ravnanje lahko že v trenutku nepazljivosti, povzroči resne poškodbe.
- 4) **SKRBNA UPORABA IN RAVNANJE Z ELEKTRIČNIMI ORODJI**
- a) **Ne preobremenjujte naprave. Pri delu uporabljajte električna orodja, ki so za**

**to delo namenjena.** Z ustreznim električnim orodjem boste v navedenem zmogljivostnem področju delali bolje in varneje.

- b) Ne uporabljajte električnega orodja s pokvarjenim stikalom.** Električno orodje, ki se ne da več vklopiti ali izklopiti, je nevarno in ga je potrebno popraviti.
  - c) Pred vsakršnimi prilagoditvami, nastavitvami, menjavanjem priključkov ali shranjevanjem, morate električno orodje izklopiti iz napajanja ali iz njega odstraniti akumulator.** Ta previdnostni ukrep preprečuje nenameren zagon električnega orodja.
  - d) Električna orodja, ki jih ne uporabljate, shranjujte izven dosega otrok. Osebam, ki naprave ne poznajo ali niso prebrale teh navodil za uporabo, naprave ne dovolite uporabljati.** Električna orodja so nevarna, če jih uporabljajo neizkušene osebe.
  - e) Električna orodja in pripomočke redno vzdržujte. Nadzirajte brezhibno delovanje premičnih delov orodja, ki se ne smejo zatikati. Če so ti deli zlomljeni ali poškodovani do te mere, da ovirajo delovanje električnega orodja, jih je potrebno pred uporabo orodja popraviti.** Slabo vzdrževana električna orodja so vzrok za mnoge nezgode.
  - f) Rezalna orodja vzdržujte tako, da bodo vedno ostra in čista.** Skrbno negovana rezalna orodja z ostrimi robovi se manj zatikajo in so lažje vodljiva.
  - g) Električna orodja, pribor, vsadna orodja in podobno uporabljajte ustrezno tem navodilom. Pri tem upoštevajte delovne pogoje in dejavnost, ki jo boste opravljali.** Uporaba električnih orodij v namene, ki so drugačni od predpisanih, lahko privede do nevarnih situacij.
  - h) Poskrbite, da bodo ročaji in ostale prijemalne površine, vedno suhi, čisti in brez ostankov olj ali masti.** Če pride do nepredvidenih situacij, vam spolzki ročaji in prijemalne površine ne zagotavljajo varnega rokovanja in nadzora nad orodjem.
- 5) SKRBN RAVNANJE IN UPORABA AKUMULATORSKIH ORODIJ**
- a) Akumulatorske baterije polnite samo v polnilnikih, ki jih priporoča proizvajalec.** Polnilnik, ki je namenjen določeni vrsti akumulatorskih baterij, se lahko vname, če ga boste uporabljali skupaj z drugačnimi akumulatorskimi baterijami.
  - b) V električnih orodjih uporabljajte le akumulatorske baterije, ki so zanje predvidene.** Uporaba drugih akumulatorskih baterij lahko povzroči telesne poškodbe ali požar.
  - c) Akumulatorska baterija, katere ne uporabljate, ne sme priti v stik s pisarniškiimi sponkami, kovanci, žebliji, vijaki in drugimi manjšimi kovinskimi predmeti, ki bi lahko povzročili**

**premostitev kontaktov.** Kratek stik med akumulatorskimi kontakti lahko ima za posledico opekline ali požar.

- d) V primeru napačne uporabe lahko iz akumulatorske baterije izteče tekočina. Izogibajte se kontaktu z njo. Pri naključnem kontaktu s kožo spirajte z vodo.** Če pride tekočina v oko, dodatno poiščite tudi zdravniško pomoč. Iztekajoča akumulatorska tekočina lahko povzroči draženje kože ali opekline.
  - e) Ne uporabljajte poškodovanih ali prilagojenih akumulatorskih baterij oz. orodij.** Poškodovane ali prilagojene akumulatorske baterije ali prilagojene akumulatorske baterije se lahko nepredvidljivo obnašajo, kar lahko povzroči požar, eksplozijo ali tveganje za poškodbe.
  - f) Akumulatorske baterije ali orodja ne izpostavljajte ognju previsoki temperaturi. Izpostavljenost ognju ali previsoki temperaturi.** Izpostavljenost ognju ali vročini nad 130°C lahko povzroči eksplozijo.
  - g) Upoštevajte navodila za polnjenje in ne polnite akumulatorske baterije ali orodja pri temperaturi, ki je izven območja, navedenega v navodilih.** Če orodje polnite na nepravilen način ali pri temperaturah, ki so izven določenega območja, lahko pride do poškodb akumulatorske baterije, kar poveča tveganje za požar.
- 6) SERVISIRANJE**
- a) Vaše električno orodje naj popravlja le kvalificirano strokovno osebje, ki uporablja originalne nadomestne dele.** Tako bo zagotovljena predpisana varna uporaba orodja.
  - b) Nikoli ne servisirajte poškodovanih akumulatorjev.** Poškodovane akumulatorje lahko servisira le proizvajalec ali pooblaščen servisier.

## VARNOSTNA OPOZORILA ZA VSE ŽAGE

### POSTOPEK ŽAGANJA

- a)  NEVARNOST: Roke imejte proč od rezalnega območja in rezila. Z drugo roko trdno držite pomožni ročaj ali ohišje motorja.** Če žago držite z obema rokama, si jih ne morete poškodovati z rezilom.
- b) Ne segajte pod obdelovanec.** Ščit vas ne more zaščititi pred rezilom pod obdelovancem.
- c) Globino reza prilagodite na debelino obdelovanca.** Med delom naj gleda izpod obdelovanca manj kot polni zob rezila.
- d) Nikoli ne držite obdelovanca v vaših rokah ali na nogah. Obdelovanec postavite na stabilno platformo.** De preprečite izpostavljenost telesa, zagodenje rezila ali izgubo nadzora je pomembno, da orodje pravilno uporabljate.

- e) **Kadar bi med uporabo električnega strojčka lahko z rezalnim orodjem prišli v stik z električno napeljavo, morate slednjega vedno držati za izolirane ročaje.** Če z orodjem pridete v stik električnim kablom pod "napetostjo", to povzroči, da postanejo "električni" tudi kovinski deli celotnega orodja, zaradi česar lahko pride do električnega udara.
- f) **Pri žaganju naj bo vedno nameščen razporni klin ali vodilo za ravno rezanje.** To izboljša natančnost reza in zmanjša možnost, da bi se rezilo ukrivilo.
- g) **Vedno uporabite rezila pravilne velikosti in oblike (diamantno ali okroglo).** Rezila, ki ne ustrezajo montažni strojni opremi žage, se lahko vrtijo v prazno, kar lahko povzroči izgubo nadzora.
- h) **Nikoli ne uporabljajte poškodovanih ali neustreznih podložk oziroma vijakov.** Podložke in vijaki rezila so bili izdelani posebej za vašo žago, za optimalno učinkovitost in varnost delovanja.

## DODATNA VARNOSTNA NAVODILA ZA DELO

### Vzroki povratnega udarca in referenčna opozorila

- Povratni udarec je nenadna reakcija na stisnjemem, ukrivljenem ali nepravilnem rezilu, ki povzroča, da se žaga nenadzorovano dvigne iz obdelovalca proti upravljavcu;
  - Ko se rezilo ujame v zarezo zastane, motor pa enoto pože ne hitro nazaj proti upravljavcu;
  - Če rezilo med rezom postane zvito ali nepravilno, to lahko povzroči, da se zobje rezila zakopljejo v les, in rezilo skoči nazaj proti upravljavcu.
- Povratni udarec je posledica nepravilne uporabe žage in/ali nepravilnih obratovalnih postopkov ali pogojev, toda če upoštevate spodaj navedene pogoje, ga lahko preprečite.
- a) **Ohranite dober oprijem na žago, in roke postavite tako, da se lahko uprete sili povratnega udarca. S telesom bodite vedno izven smeri v kateri žagate.** Povratni sunek lahko povzroči, da žaga skoči nazaj, vendar sile povratnega sunka lahko nadzorujete, če se držite ustreznih varnostnih ukrepov.
- b) **Če se rezilo zagodzi, ali se rezilo zaradi neznanega razloga začne ustavljati, spustite sprožilec in brez premikanja držite žago, dokler se rezilo ne ustavi. Nikoli ne poskušajte žage odstraniti iz obdelovalca ali jo povleči nazaj, dokler je rezilo v teku, saj to lahko povzroči povratni udarec.** Preverite in glede na ugotovitve ukrepajte tako, da odstranite razlog za zagozdenje rezila.
- c) **Če želite ponovno zagnati žago v obdelovanec, ga poravnajte v rez, in**

- preverite, da zobje rezila niso potopljeno v material.** Če se rezilo zagodzi, se lahko žaga pri ponovnem zagonu premakne ali skoči nazaj.
- d) **Za zmanjšanje tveganja stiska rezila ali povratnega udarca, velike plošče podprite.** Velike plošče se pod lastno težo lahko nagibajo. Ploščo morate na obeh straneh podpreti, blizu linije reza in blizu roba plošče.
- e) **Ne uporabljajte topih ali poškodovanih rezil.** Nenabrušena ali nepravilno nastavljena rezila napravijo ozek rez, ki povzroča pretirano trenje, zaustavljanje rezila ali povratni sunek.
- f) **Zaklepajoči ročici za nastavljanje naklona in globine reza morata biti pred začetkom uporabe žage tesno pritrjeni.** Če se rezilo med rezanjem premika, to lahko povzroči zaustavitev rezila in povratni sunek.
- g) **Pri žaganju v obstoječe stene ali druga slepa območja bodite še posebej previdni.** Rezilo, ki je potopljeno v obdelovalcu, lahko zadene ob predmete, ki povzročijo povratni udarec.

## VARNOSTNA NAVODILA ZA KROŽNO ŽAGO Z NOTRANJIM VAROVALOM NIHANJA

### FUNKCIJA SPODNJEGA VAROVALA

- a) **Pred vsako uporabo preverite, če se spodnje varovalo pravilno zapira. Če se slednje ne premika prosto in ne zapira, krožne žage ne uporabljajte.** Spodnjega varovala nikoli ne pritrdite v odprt položaj. Če žaga po nesreči pade na tla, se lahko spodnje varovalo skrivi. Dvignite spodnje varovalo za držalo in preverite, če se prosto premika ter se ne zaveda ob rezilo ali kak drug del.
- b) **Preverite delovanje varovalne vzmeti spodnjega ščita. Če varovalo in vzmet ne delujeta pravilno, ju morate pred uporabo servisirati.** Zaradi poškodovanih delov ali kopičenja odpadkov obstaja možnost, da spodnji ščit ne deluje popolno.
- c) **Spodnje varovalo lahko odmaknete ročno, predvsem v primerih, če želite delati "potopne reze" ali "zajere". Za držalo dvignite varovalo tako, ko se rezilo dotakne obdelovalca, nato varovalo sprostite, da se prosto premika.** Pri ostalih vrstah rezanja, pustite, da se spodnje varovalo prosto premika in odpira glede na položaj žage.
- d) **Preden žago odložite, preverite, ali je spodnje varovalo zaprto.** Nezaščiteno, prosto se vrteče rezilo bo povzročilo, da bo žaga odskočila in poškodovala kar ji bo na poti. Upoštevajte, da se rezilo po izklopu še nekaj časa vrti.

## DODATNA VARNOSTNA NAVODILA ZA EXACTRACK™ REZE

- a) Le pri izdelavi EXACTRACK™ rezov, lahko spodnje varovalo odprete ročno. Primite držalo varovala in slednjega v trenutku, ko se rezilo dotakne obdelovanca dvignite, nato držalo varovala sprostite, da se slednje lahko prosto premika. Pri ostalih vrstah rezanja, pustite, da se spodnje varovalo prosto premika.
- b) Pri izdelavi EXACTRACK™ rezov, električno stikalo aktivirajte v trenutku, ko se rezilo začne potapljati v obdelovanec.

## DODATNI VARNOSTNI PREDPISI ZA KROŽNO ŽAGO

- 1. Za žaganje lesa in podobnih materialov, uporabljajte le rezila, ki jih priporoča proizvajalec in so skladna z EN-847-1.
- 2. Ne nameščajte brusilnih kolutov.
- 3. Uporabiti samo rezila, katerih premer je v skladu z oznakami.
- 4. Rezilo izberite glede na vrsto materiala, ki ga boste žagali.
- 5. Uporabljajte le rezila, katerih oznaka števila vrtljajev je enaka ali višja, kot je število vrtljajev orodja.

## VARNOSTNA OPOZORILA ZA AKUMULATOR

- a) Ne razstavljajte, odpirajte ali odstranjujte celic akumulatorja.
- b) Pazite, da ne povzročite kratkega stika med kontaktoma akumulatorja. Akumulatorjev nikoli ne shranjujte v škatli ali predalu, kjer bi lahko prišlo do kratkega stika zaradi stika kontaktov s prevodnimi predmeti. Kadar akumulator ni nameščen v orodju, ga hranite proč od drugih kovinskih predmetov, kot so sponke za papir, kovanci, ključi, žebelji, vijaki ali drugi drobni kovinski predmeti, ki bi lahko omogočili stik med kontaktoma. Če pride do stika med kontaktoma akumulatorja, to lahko povzroči požar.
- c) Akumulatorja ne izpostavljajte vročini ali ognju. Poskrbite, da ne bo izpostavljen neposredni sončni svetlobi.
- d) Akumulatorja ne izpostavljajte mehanskim udarcem.
- e) Če opazite, da akumulator pušča, pazite, da tekočina ne bo prišla v stik z očmi. Če akumulatorska tekočina vseeno pride v stik z očmi, izperite prizadeto območje z obilo vode in poiščite zdravniško pomoč.

- f) Predvsem pa takoj poiščite medicinsko pomoč, če ste celico ali del akumulatorja zaužili.
- g) Akumulator shranjujte na čistem in suhem mestu.
- h) Če se akumulator zamaže, ga takoj očistite s čisto in suho krpo.
- i) Akumulator morate pred uporabo napolniti. Pri polnjenju akumulatorja vedno upoštevajte predpisana navodila in postopke.
- j) Če akumulatorja ne polnite, ga odstranite iz polnilca.
- k) Po daljšem obdobju skladiščenja, boste za doseg maksimalne zmogljivosti akumulatorja verjetno morali slednjega nekajkrat napolniti in izprazniti.
- l) Akumulator deluje najbolj učinkovito, če ga uporabljate pri običajni sobni temperaturi (20 °C ± 5 °C).
- m) Pri odlaganju akumulatorja pazite, da boste akumulatorje, ki imajo različne elektrokemične sisteme zavrgli ločeno.
- n) Za polnjenje uporabljajte le polnilnike, ki jih je predpisal WORX. Nikoli ne uporabljajte polnilnikov, ki niso posebej namenjeni za polnjenje vašega akumulatorja. Polnilce, ki je lahko primeren za polnjenje ene vrste akumulatorjev, lahko pri drugi povzroči nevarnost požara.
- o) Nikoli ne uporabljajte polnilcev, ki niso posebej zasnovani za polnjenje vašega akumulatorja.
- p) Akumulatorje shranjujte izven dosega otrok.
- q) Za podrobnosti, si oglejte gradivo, ki je bilo priloženo akumulatorju.
- r) Če orodja ne uporabljate, iz njega odstranite akumulator.
- s) Akumulatorje odlagajte skladno s predpisi.
- t) V napravi ne uporabljajte celic različnih proizvajalcev, zmogljivosti, velikosti ali tipa.
- u) Akumulator odstranite iz originalne embalaže šele, ko ga boste potrebovali.
- v) Upoštevajte znaka plus (+) in minus (-) na akumulatorju ter poskrbite za njegovo pravilno uPorabo.

125

## SIMBOLI

	Zaradi zmanjševanja nevarnosti poškodb, se temeljito seznanite z navodili za uporabo
	Opozorilo

	Uporabljajte zaščito za ušesa
	Uporabljajte zaščito za oči
	Nosite zaščitno masko za prah
	Ne izpostavljajte dežju ali vodi
	Prepovedano sežiganje
	Akumulatorjev ne zavržite skupaj z ostalimi odpadki, temveč jih dostavite na mesto za ločeno zbiranje odpadkov
	Pred menjavanjem priključkov ali spreminjanjem nastavitve na orodju, se prepričajte, če je akumulator odstranjen iz ležišča.
	Nosite zaščitne rokavice
	Les
	Zob z vidia konico
	Zaklenjeno
	Odklenjeno



Odpadnih električnih naprav ne smete zavreči skupaj z ostalimi gospodinjskimi odpadki. Dostavite jih na mesto za ločeno zbiranje odpadkov. Glede podrobnosti, se posvetujte z lokalno službo za ravnanje z odpadki.

## SESTAVNI DELI

1. VARNOSTNI GUMB
2. STIKALO ZA VKLOP/IZKLOP
3. SPREDNJI ROČAJ
4. OZNAKA 0°
5. OZNAKA 45°
6. GLAVNA OSNOVNA PLOŠČA
7. ZAKLEP NAGIBANJA OSNOVNE PLOŠČE
8. KOTNA SKALA NA OSNOVNI PLOŠČI
9. IMBUS KLJUČ
10. AKUMULATOR\*
11. GUMB ZA SPROSTITEV AKUMULATORJA\*
12. FIKSNO VAROVALO
13. ODOČNI KANAL ZA PRAH
14. SPODNJE VAROVALO REZILA
15. EXACTRACK™ POMOŽNA OSNOVNA PLOŠČA
16. REZILO
17. ZUNANJA PRIROBNICA
18. VIJAK REZILA
19. SPODNJE VAROVALO REZILA
20. VRETENO
21. NOTRANJA PRIROBNICA
22. SKALA GLOBINE REZANJA (Glejte Sliko. E)
23. ZAKLEPNI GUMB GLOBINE REZANJA (Glejte Sliko. E)
24. PRILAGOJEVALNA ROČICA (Glejte Sliko. E)
25. GUMB ZA ZAKLEPANJE STIKALA (Glejte Sliko. K2)

\* Pri standardni dobavi niso vključeni vsi prikazani dodatki.

## TEHNIČNI PODATKI

Tip **WX530 WX530.1 WX530.9** (5- zasnova naprave, predstavnik žag)

	WX530	WX530.1	WX530.9
Napetost	20 V  Max**		
Št. vrt. brez obremenitve	4900/min		
Velikost rezila	165 mm		
Vrtina rezila	20 mm		
Zmogljivost rezanja			
Globina rezanja pod kotom 45°	39 mm		
Globina rezanja pod kotom 90°	55 mm		
Največji nagib	0-50°		
Teža strojčka((brez akumulatorja)	2.3 kg		

\*\*Napetost je bila izmerjena brez obremenitve. Začetna napetost akumulatorja doseže maksimum 20 V. Običajna napetost je 18 V.

## PODATKI O HRUPU

Vrednotena raven zvočnega tlaka	$L_{pA} = 82.8 \text{ dB(A)}$
Vrednotena raven zvočne moči	$L_{WA} = 93.8 \text{ dB(A)}$
$K_{pA}$ & $K_{WA}$	3 dB(A)

**Uporabljajte zaščito za ušesa.**



## PODATKI O VIBRACIJAH

Skupne vrednosti oscilacij (vektorski seštevek treh smeri), skladno z EN 62841:

Vrednost emisije vibracij:	Rezanje lesa: $a_{n,w} = 6.572 \text{ m/s}^2$
	Nezanesljivost meritve $K = 1.5 \text{ m/s}^2$

Deklarirana skupna raven vibracij ter deklarirana vrednost emisij hrupa, sta bili izmerjeni skladno s standardno testno metodo in služita primerjavi orodij med seboj.

Deklarirano skupno raven vibracij ter deklarirano vrednost emisij hrupa, lahko uporabljate tudi kot osnovo za ocenjevanje izpostavljenosti.

**⚠ OPOZORILO:** Dejanski vrednosti emisij vibracij ter hrupa med uporabo orodja, se lahko razlikujeta od navedenih, kajti nanju vpliva tudi način uporabe orodja ter vrsta obdelovanca, predvsem pa

naslednje okoliščine:

Način uporabe orodja in materiali, ki jih lahko obdelujete. Ali je orodje v dobrem stanju in ustrezno vzdrževano. Ali uporabljate ustrezeni dodatek in njegova brezhibnost. Čvrstost oprijema ročajev in morebitna uporaba dodatkov za zmanjševanje vibracij. Uporaba orodja za predviden namen, skladen s temi navodili.

**Če orodja ne uporabljate pravilno, lahko povzroči vibracijski sindrom zapestja in rok.**

**⚠ OPOZORILO:** Če želimo resnično natančno oceniti raven izpostavljenosti v dejanskih okoliščinah, moramo upoštevati tudi vse faze delovnega procesa, tudi število vklopov in izklopov strojčka ter čas, ko deluje v prostem teku in neobremenjeno. To lahko znatno zmanjša raven izpostavljenosti tekom celotnega delovnega procesa.

Pomoč pri zmanjševanju tveganja pri izpostavljenosti vibracijam in hrupu.

VEDNO uporabljajte le ostre pripomočke.

Orodje vzdržujte skladno s temi navodili in poskrbite, da bo dobro namazano (kjer je potrebno).

Če boste orodje uporabljali redno, potem investirajte v dodatke za zmanjševanje vibracij in hrupa.

Delo si organizirajte tako, da boste opravila z visoko ravno vibracij izvajali v več fazah, tekom nekaj dni.

## DODATKI

	WX530	WX530.1	WX530.9
Zob z vidia konico	1	1	1
Adapter odsesovalnika	1	1	1
Imbus ključ	1	1	1
Akumulator (WA3551.1)	1	/	/
Akumulator (WA3553)	/	1	/
Polnilnik (WA3860)	1	1	/

Priporočamo vam, da dodatke vedno kupujete v isti trgovini, kot ste kupili strojček. Za podrobnosti si oglejte razlage na embalaži kompleta dodatkov. Pri odločanju o ustreznem dodatku, vam lahko pomaga tudi osebje v trgovini.

## NAVODILA ZA UPORABO

**⚠ OPOMBA:** Preden začnete uporabljati strojček, si pozorno preberite navodila.

### NAMEN UPORABE:

Orodje je namenjeno za žaganje in prečno rezanje lesa ter ostalih lesnih gradiv, pri žaganju pa mora obvezno trdno stati na obdelovancu.

# SEŠTAVLJANJE IN NAČIN UPORABE

OPRAVILO	FIGURE
<b>PRED ZAČETKOM UPORABE</b>	
Nameščanje/odstranjevanje akumulatorja	Glejte sliko. A1
Polnjenje akumulatorja	Glejte sliko. A2
Preverjanje stanja napoljenosti akumulatorja (le pri WX530.1)	Glejte sliko. A3
<b>SEŠTAVLJANJE</b>	
Montaža in odstranjevanje rezila <b>Opomba: zaklenite ali sprostite sornik rezila; pritisnite gumb za zaklep vretena.</b> <b>⚠ OPOZORILO:</b> Pred menjavanjem rezila, obvezno odstranite akumulator iz ležišča!	Glejte sliko. B
Shramba za šeststrobi ključ	Glejte sliko. C
<b>NAČIN UPORABE</b>	
Varnostno stikalo in stikalo On/Off <b>⚠ OPOZORILO:</b> Zaradi preprečevanja uresznin z ostrim rezilom, nikoli ne segajte z rokami pod osnovno ploščo. <b>OPOMBA:</b> Pri uporabi orodja priključite adapter za prah na zbiralnik prahu.	Glejte sliko. D
Nastavljanje globine rezanja	Glejte sliko. E
Vzdolžno vodilo	Glejte sliko. F
Žaganje pod kotom <b>OPOMBA: V načinu EXACTRACK™ lahko režete pod kotom.</b>	Glejte sliko. G
Odstranjevanje žagovine	Glejte sliko. H

## EXACTRACK™ Kaj je EXACTRACK™?

EXACTRACK™ predstavlja inovativno funkcijo, ki, zaradi sprotnega odvajanja žagovine z rezila, omogoča lažje rezanje v ravni smeri.

### Varnostne opombe

**⚠ OPOZORILO:** Zobje rezila so zelo ostri. Nosite zaščitne rokavice. Po odprtju spodnjega varovala, držite roke proč od rezila.

### Območje delovanja EXACTRACK™

- EXACTRACK™ deluje pri globinah med 0~43 mm. (Glejte sliko. I)
- EXACTRACK™ deluje le pri 90 stopinjskih rezih, ne deluje pa pri nobenem rezu pod kotom.

### Pred začetkom uporabe

**⚠ OPOZORILO:** Pred vsakim prilagajanjem, odstranite akumulator iz orodja, in ga postavite poleg žage.

- Nastavite želeno globino rezanja (območje med 0~43 mm). (Glejte sliko. I)
- Preklopite vzvod v način EXACTRACK™. (Glejte sliko. J)
- Na obdelovancu označite želeno linijo reza, nato pripnite vodilo (ni priloženo) in poskrbite, da bo njegov rob neposredno ob označeni liniji, pri čemer naj na obeh straneh sega vsaj 230 mm čez obdelovanec. (Glejte sliko. K1)
- Nato postavite EXACTRACK™ pomožno ploščo (rdeči del) na zgornji del vodila (ni priloženo) in poskrbite, da bo glavna plošča nalegala na obdelovanec. (Glejte sliko. K2)
- Z roko odprite spodnje varovalo rezila (roki držite varno oddaljeni od rezila), potisnite žago ob rob vodila in izpustite držalo spodnjega varovala rezila. (Glejte sliko. K3)

### Način uporabe

- Nameščanje akumulatorja.
- Med rezanjem žago trdno držite z obema rokama in poskrbite, da bo glavna plošča trdo prislonjena ob vodilo (ni priloženo). (Glejte sliko. K4)
- Vklopite orodje in začnite z rezanjem (Glejte sliko. K5)

### STANDARDN način

Pri običajnem, 90 stopinjskem rezanju ali rezanju pod kotom (onemogočite funkcijo EXACTRACK™), preklopite vzvod v način STANDARD in žago lahko uporabljate kot običajno krožno žago. (Glejte sliko. L)

Način STANDARD lahko uporabljate pri rezanju do globine med 0~55 mm (90 stopinj) ali 0~39 mm (45 stopinj).

**Podatke o napravi si lahko ogledate na [www.worx.com](http://www.worx.com), pod naslovom »How To«.**



## NAPOTKI ZA UPORABO ORODJA

Če se vaše orodje med delom segreje, ga približno 2-3 minute pustite delovati neobremenjenega, da se motor ohladi. Izogibajte se predolgemu delu z nizkimi hitrostmi. Rezila zaščitite pred trkom in šokom. Orodja ne preobremenjujte. Med žaganjem orodje z občutkom

potiskajte v smeri reza in tako preprečite pregrevanje konic rezila. Rezanje z veliko sile lahko bistveno zmanjša sposobnost orodja in zmanjšuje življenjsko dobo rezila. Učinkovitost žaganja in kakovost rezanja sta odvisna od stanja in števila zob rezila. Zato uporabljajte le ostra rezila, ki so primerna za rezanje izbranega materiala.

Izbira rezil: Rezila z 24 zobmi za splošno delo, približno 40 zob za fine reze, več kot 40 zob za zelo fine reze v delikatne površine, diamanta za ploščice, cementne plošče, itd. Uporabljajte samo priporočena rezila.

## ORODJE SKRBNNO VZDRŽUJTE

**Pred vsakim prilagajanjem, servisiranjem ali vzdrževanjem, odstranite akumulator iz orodja.**

Poskrbite, da bo orodje vedno čisto, in rezilo ostro. Upoštevajte navodila za mazanje in zamenjavo delov dodatne opreme. Strojčka ne rabite dodatno mazati. Strojček tudi nima nobenih delov, ki bi jih morali servisirati. Za čiščenje strojčka nikoli ne uporabljajte vode ali kemičnih sredstev. Obrišite ga le s suho krpo. Strojček vedno shranjujte na suhem mestu. Poskrbite, da bodo prezračevalne odprtine čiste. Vsi elementi krmiljenja morajo biti čisti, brez prahu. Za zagotovitev pravilnega delovanja občasno očistite prah in ostanke materiala.

### ZA AKUMULATORSKA ORODJA

Območje temperature okolice za uporabo in shranjevanje orodja ter akumulatorja je 0°C - 45°C.

Priporočeno območje temperature okolice pri polnjenju je 0°C - 40°C.

## VAROVANJE OKOLJA



Odpadnih električnih naprav ne smete zavreči skupaj z ostalimi gospodinjskimi odpadki. Dostavite jih na mesto za ločeno zbiranje odpadkov. Glede podrobnosti, se posvetujte z lokalno službo za ravnanje z odpadki.

## ODPRAVLJANJE NAPAK

Simptom	Morebitni vzroki	Možna rešitev
Orodje ne deluje ko premaknete stikalo za vklop.	Akumulator ni vstavljen v ležišče. Akumulator je izpraznjen.	Preverite, če je akumulator pravilno povezan s kontakti v ležišču. Polnjenje akumulatorja.
Globina reza je manj kot nastavljena.	Žagovina se kopiči na zadnjem delu podnožja.	Žagovino z tresenjem odstranite. Premislite o namestitvi sesalca za zbiranje praha.
Rezilo zdrsva ali se vrti v prazno	Rezilo ni zadosti pritrjeno oziroma ni poravnano na vretenu.	Odstranite rezilo in ga namestite nazaj kot je opisano v poglavju Montaža in odstranjevanje rezila.
Rezilo ne reže naravnost.	Rezilo je topo. Rezilo ni nameščeno pravilno. Žaga ni vodena pravilno.	Žagovino z tresenjem odstranite. Premislite o namestitvi sesalca za zbiranje praha. Odstranite rezilo in ga namestite nazaj kot je opisano v poglavju Montaža in odstranjevanje rezila.
Rezilo se na začetku rezanja odbija od obdelovanca.	Rezilo se ne vrti dovolj hitro.	Prede začnete rez, pustite, da rezilo doseže končno hitrost.

# IZJAVA O SKLADNOSTI

Mi,  
POSITEC Germany GmbH  
Grüner Weg 10, 50825 Cologne, Germany

Izjavljamo, da je izdelek,  
Opis izdelka **Akumulatorska krožna žaga**  
Vrsta izdelka **WX530 WX530.1 WX530.9 (5-  
zasnova naprave, predstavnik žag)**  
Funkcija **Rezanje različnih materialov z vrtečim  
se zobatim rezilom**

Skladen z naslednjimi direktivami,  
**2006/42/EC, 2014/30/EU,  
2011/65/EU&(EU)2015/863**

In izpolnjuje naslednje standarde:  
**EN 62841-1, EN 62841-2-5, EN 55014-1,  
EN 55014-2**

Oseba, ki je pooblaščen za skladnost tehnične  
dokumentacije,

**Ime Marcel Filz**  
**Naslov Positec Germany GmbH Grüner Weg**  
**10, 50825 Cologne, Germany**

130



2019/5/28  
Allen Ding  
Namestnik načelnika inženir, Testiranje in certificiranje  
Positec Technology (China) Co., Ltd  
18, Dongwang Road, Suzhou Industrial Park,  
Jiangsu 215123, P.R. China





**[www.worx.com](http://www.worx.com)**

Copyright © 2020, Positec. All Rights Reserved.  
AR01334706