

CAMPINGAZ®

2 Series Classic LX Vario • Class 2 LX Vario

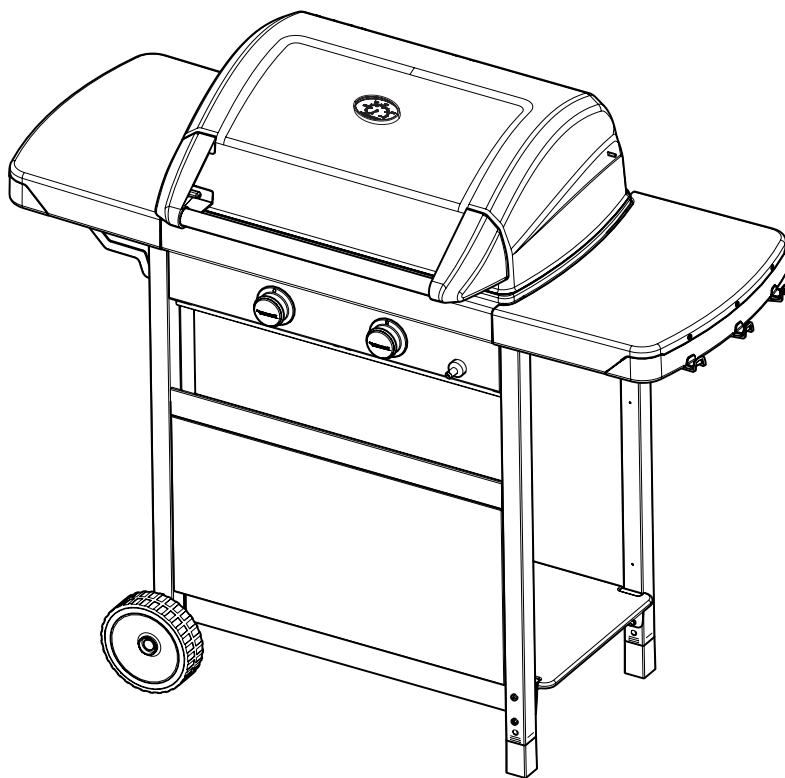
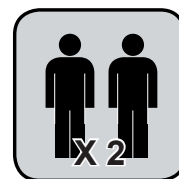
2 Series Classic LX • 2 Series Classic L

• Class 2 L

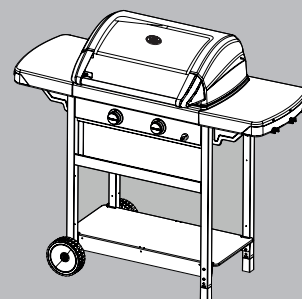
2 Series Classic LX Vario +

2 Series Classic LX CI

**2 Classic LX Vario
Class 2 LX Vario
2 Classic LX
2 Classic LX Vario +
2 Classic LX CI**



**2 Classic L
Class 2 L**



FR Instructions de montage

GB Assembly instructions

DE Montageanleitung

NL Montage-instructies

IT Istruzioni per il montaggio

ES Instrucciones de montaje

PT Instruções de montagem

NO Monteringsinstrukser

DK Monteringsvejledning

SE Monteringsanvisningar

FI Kokoamisohjeet

PL Instrukcja montażu

CZ Návod k montáži

SI Navodila za montažo

SK Návod na montáž

HU Összeszerelési utasítás

HR Upute za montiranje

RO Instrucțiuni de montaj

BG Указания за монтаж

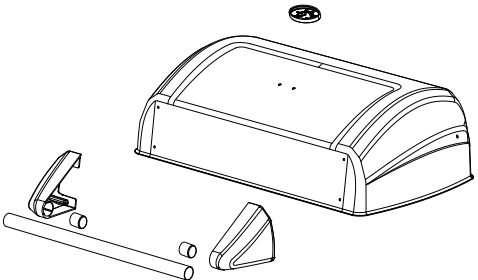
TR Montaj

GR Οδηγίες συναρμολόγησης

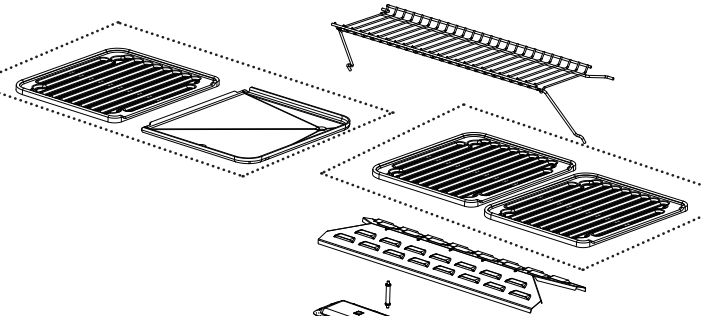
APPLICATION DES GAZ

219, Route de Brignais - BP 55
69563 Saint Genis Laval - France

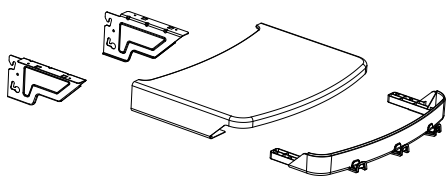
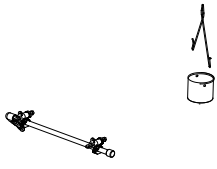
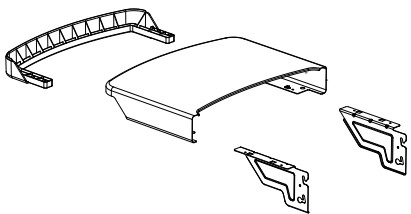
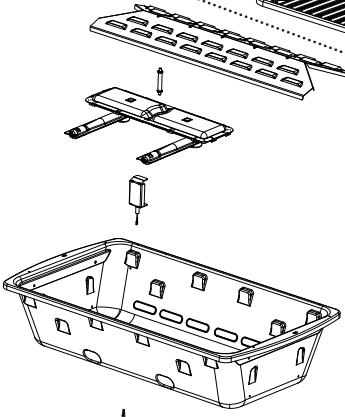
4010056281 (ECN20061504-01)



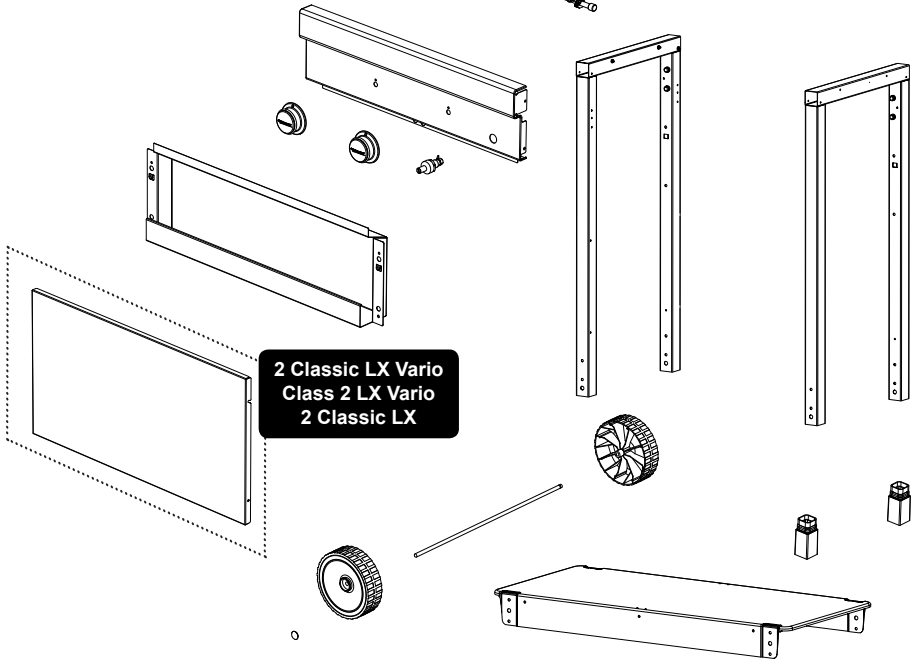
**2 Classic LX Vario
Class 2 LX Vario**

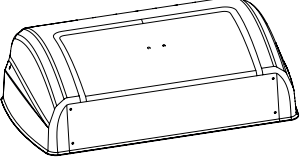
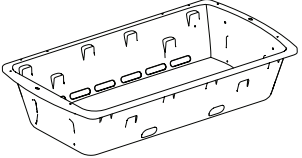
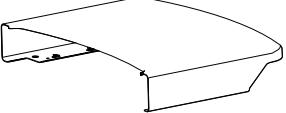
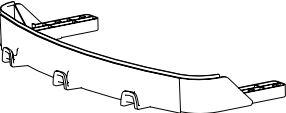
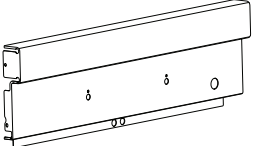
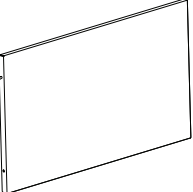
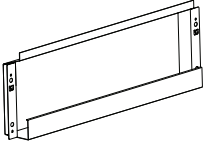
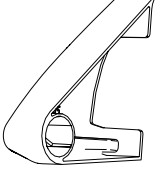
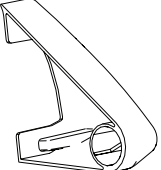


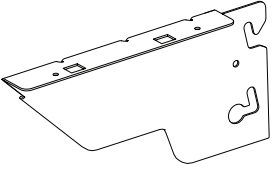
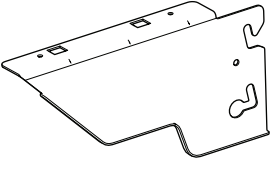
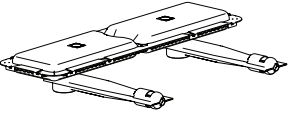
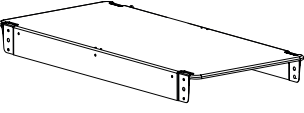


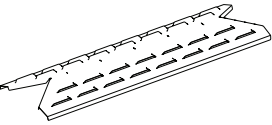

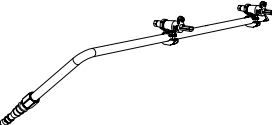
**2 Classic LX
2 Classic L
Class 2 L
2 Classic LX CI**

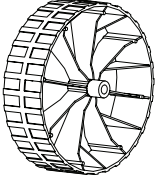
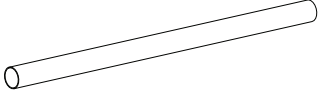



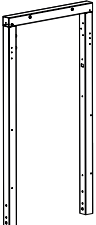
**2 Classic LX Vario
Class 2 LX Vario
2 Classic LX**




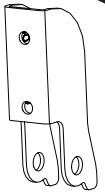
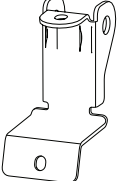


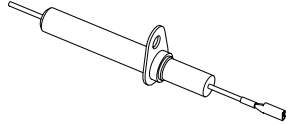
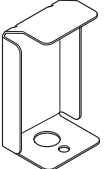

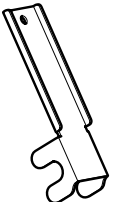

2 Classic LX Vario / Class 2 LX Vario	2 Classic LX	2 Classic L / Class 2 L	
1	1	1	
1	1	1	
2	2	2	
2	2	2	
1	1	1	
1	1	0	
1	1	1	
1	1	1	
1	1	1	

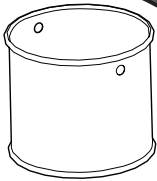
2 Classic LX Vario / Class 2 LX Vario	2 Classic LX	2 Classic L / Class 2 L	
2	2	2	
2	2	2	
1	1	1	
1	1	1	
1	0	0	
1	2	2	
1	1	1	
1	1	1	
1	1	1	

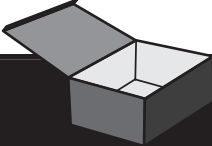
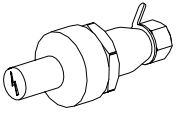
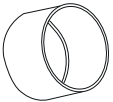
2 Classic LX Vario / Class 2 LX Vario	2 Classic LX	2 Classic L / Class 2 L	
2	2	2	
1	1	1	
1	1	1	

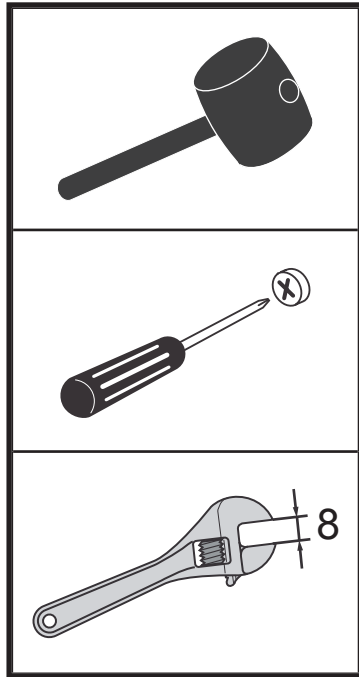
2 Classic LX Vario / Class 2 LX Vario	2 Classic LX	2 Classic L / Class 2 L	
2	2	2	


2 Classic LX Vario / Class 2 LX Vario	2 Classic LX	2 Classic L / Class 2 L	
2	2	2	

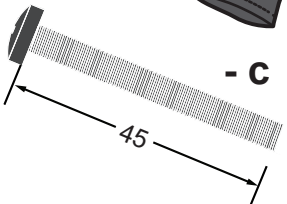

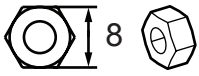

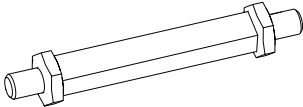


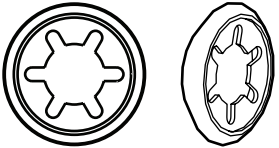
2 Classic LX Vario / Class 2 LX Vario	2 Classic LX	2 Classic L / Class 2 L	
2	2	2	
2	2	2	
2	2	2	
1	1	1	
1	1	1	
1	1	1	
2	2	2	
1	1	1	
1	1	1	

2 Classic LX Vario / Class 2 LX Vario	2 Classic LX	2 Classic L / Class 2 L	A
1	1	1	

2 Classic LX Vario / Class 2 LX Vario	2 Classic LX	2 Classic L / Class 2 L	
1	1	1	
2	2	2	



2 Classic LX Vario / Class 2 LX Vario	2 Classic LX	2 Classic L / Class 2 L	1:1 G
4	4	4	 - m

2 Classic LX Vario / Class 2 LX Vario	2 Classic LX	2 Classic L / Class 2 L	1:1 C
8	8	8	
6	6	6	 - a
10	10	10	
46	46	46	 - b
1	1	1	
2	2	2	 - d
3	3	3	
1	1	1	

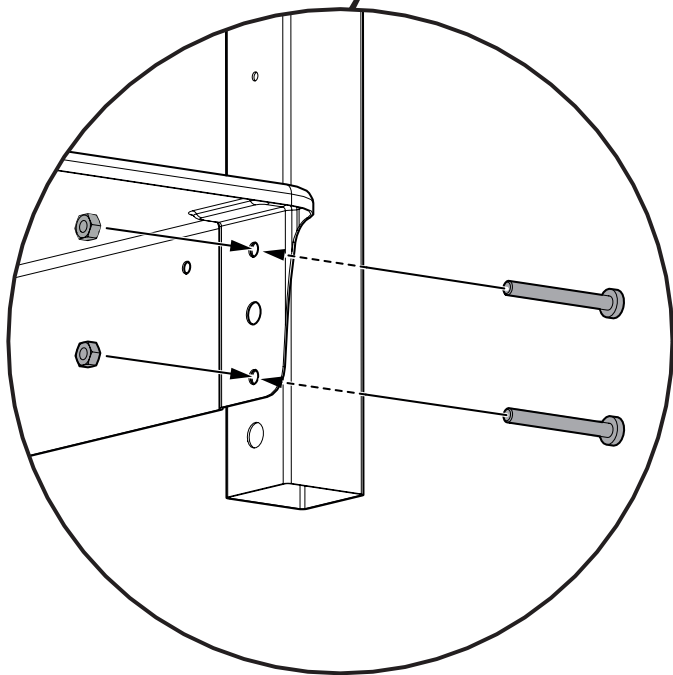
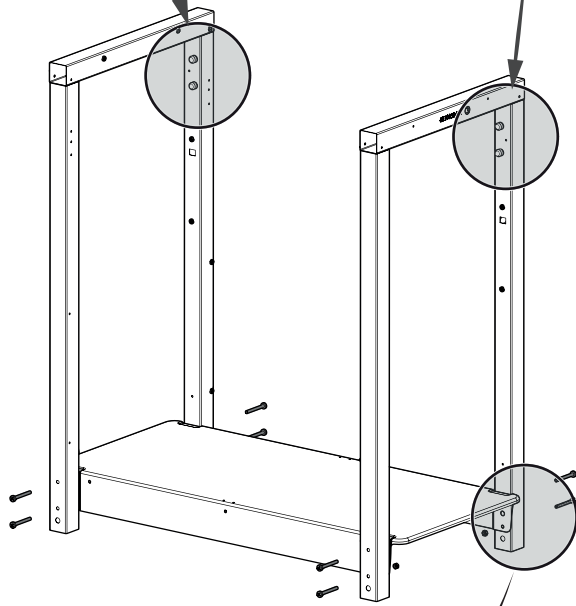
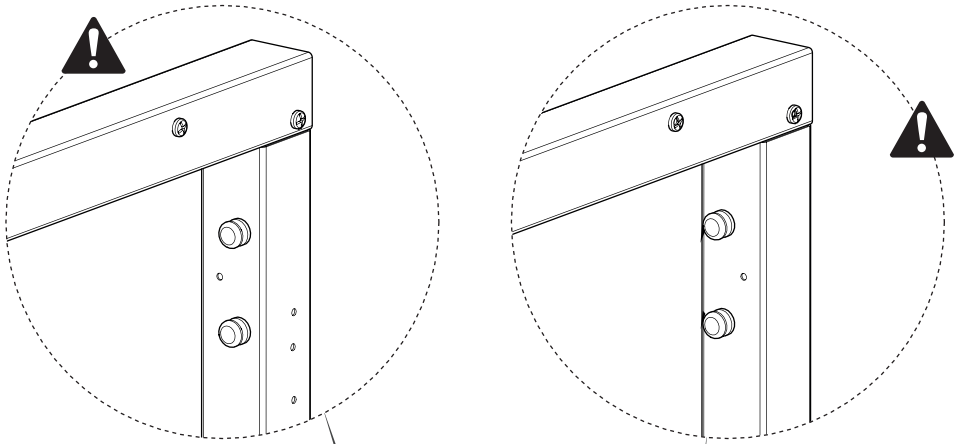
01



X 8



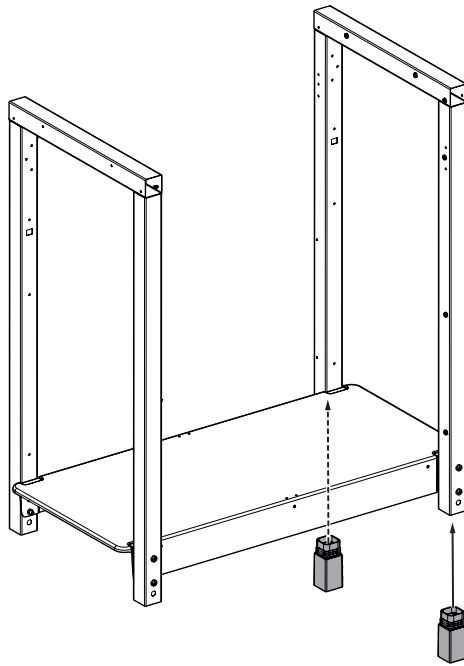
X 8



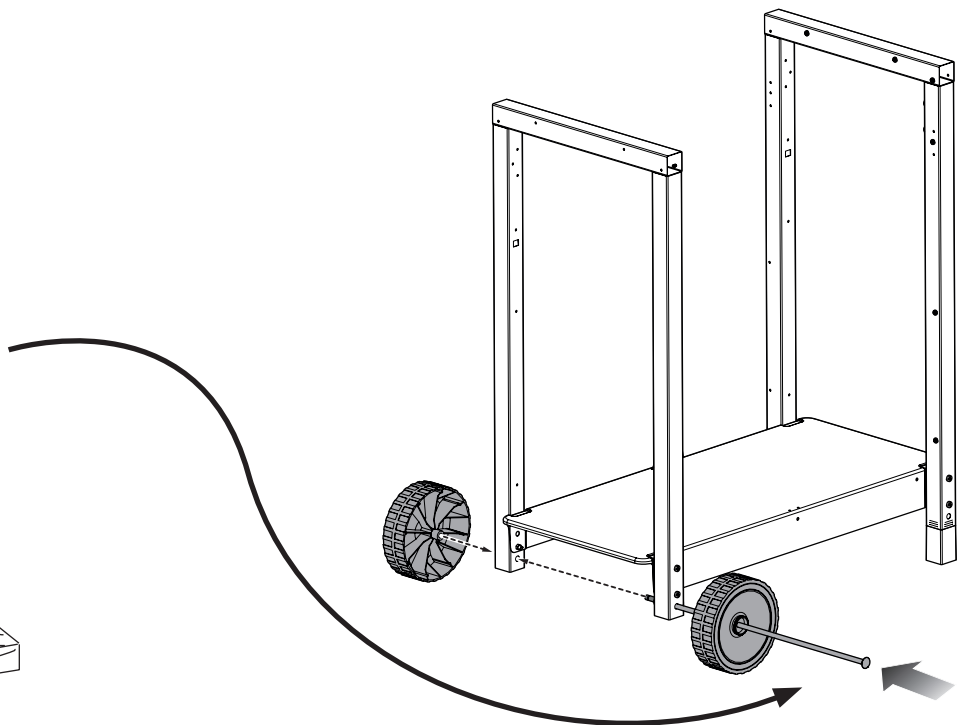
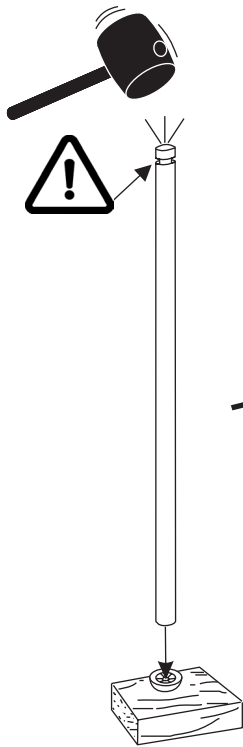
02



X 2

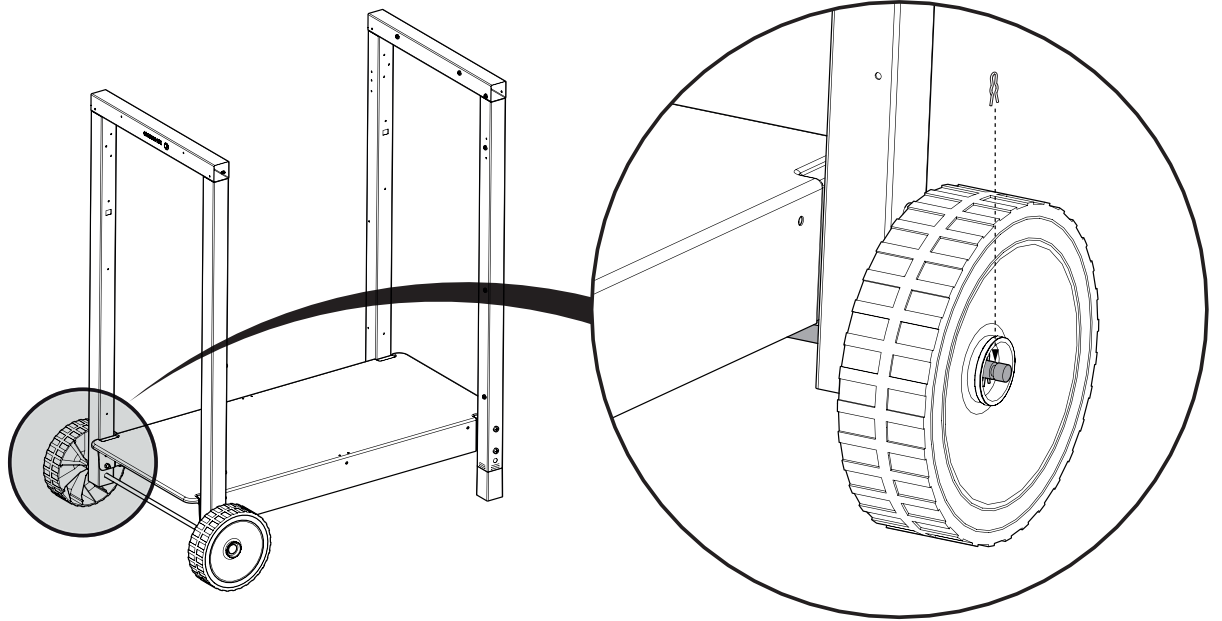


X 1





X 1



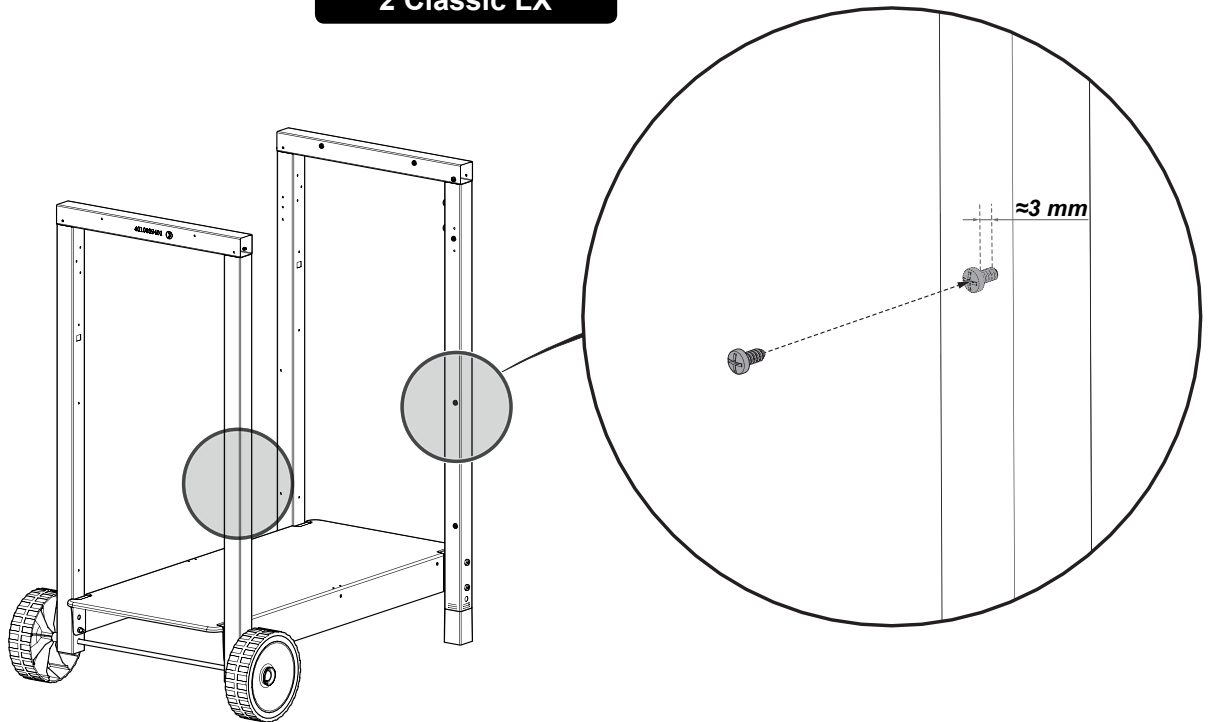
03

2 Classic LX Vario +
2 Classic LX CI
Class 2 LX Vario
2 Classic LX Vario
2 Classic LX

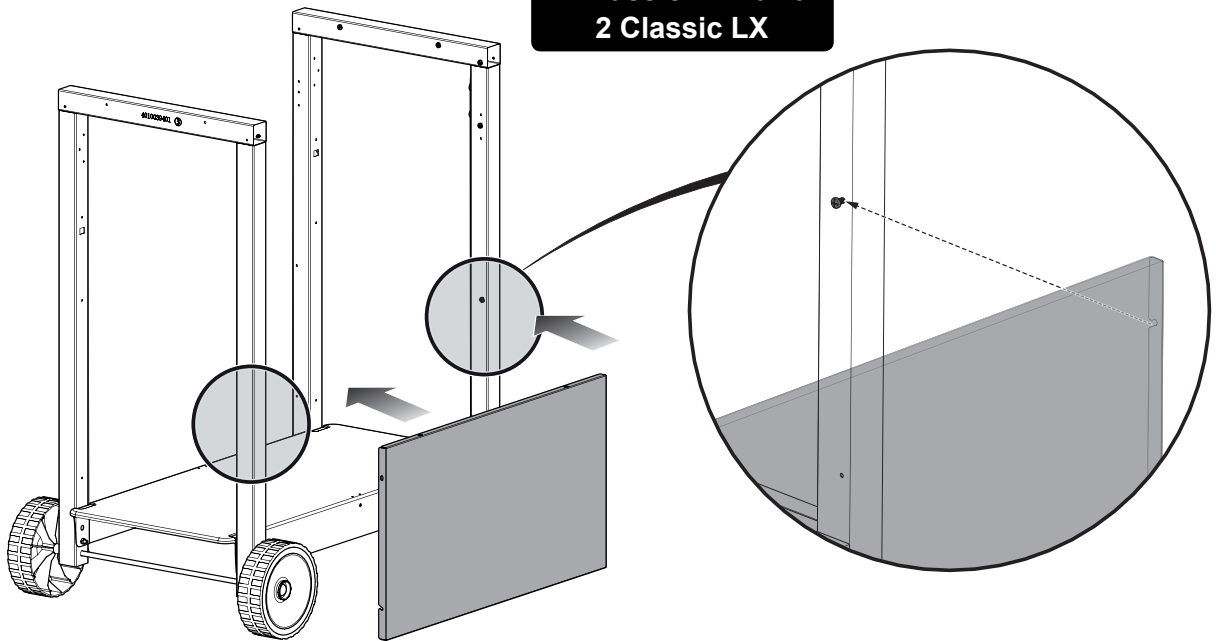


X 2

b

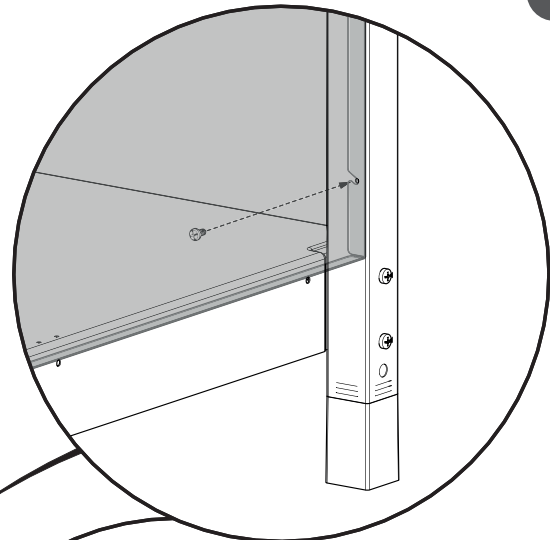


2 Classic LX Vario +
 2 Classic LX CI
 Class 2 LX Vario
 2 Classic LX Vario
 2 Classic LX

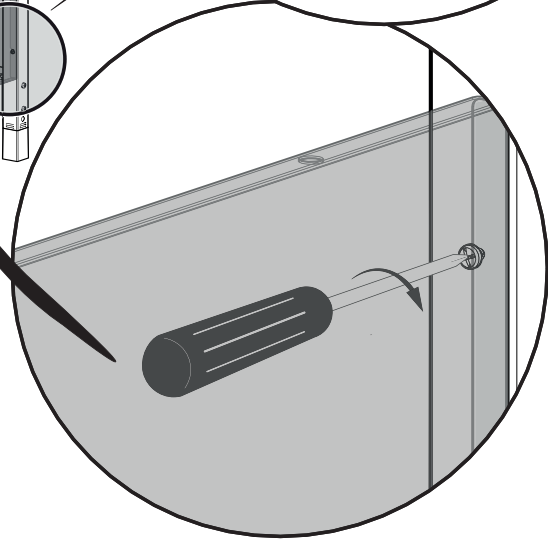


2 Classic LX Vario +
 2 Classic LX CI
 Class 2 LX Vario
 2 Classic LX Vario
 2 Classic LX

1



2



C

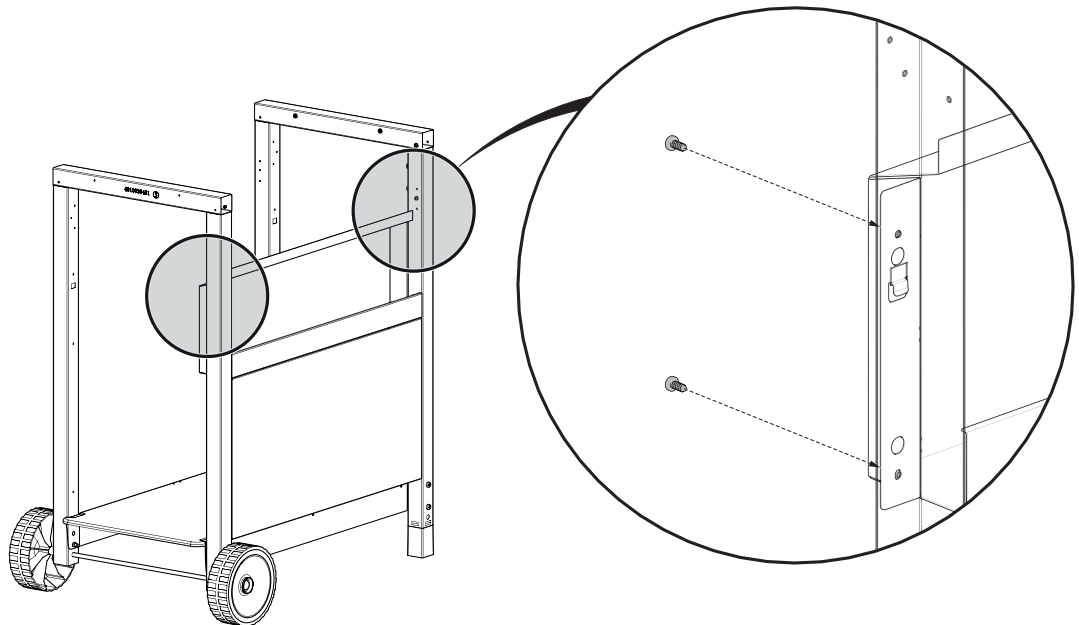
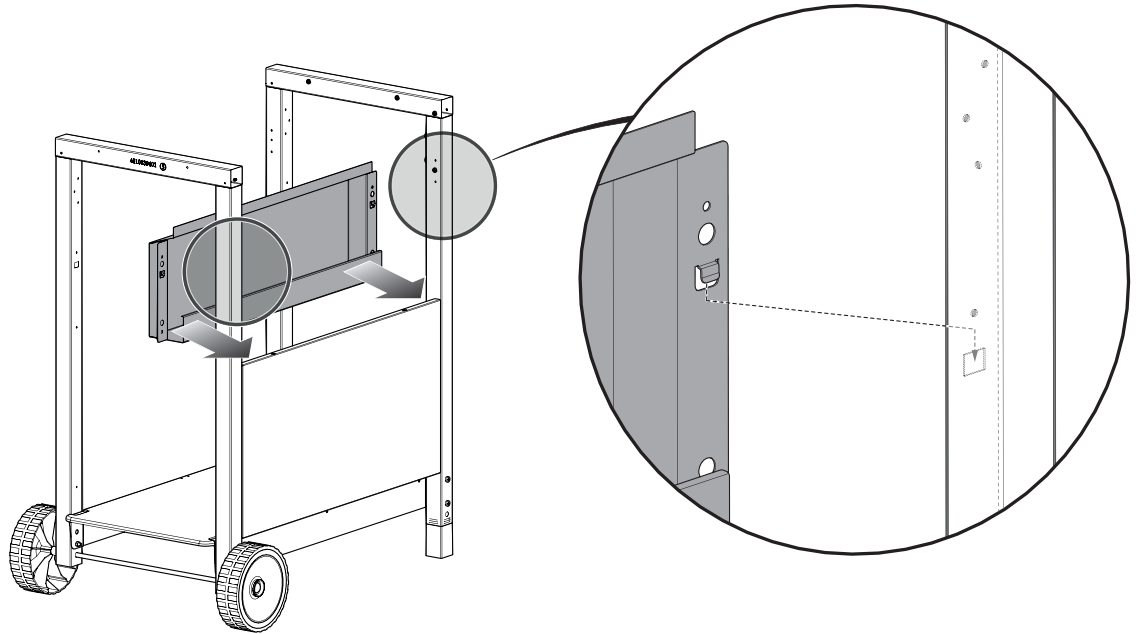
b X 2

b

04



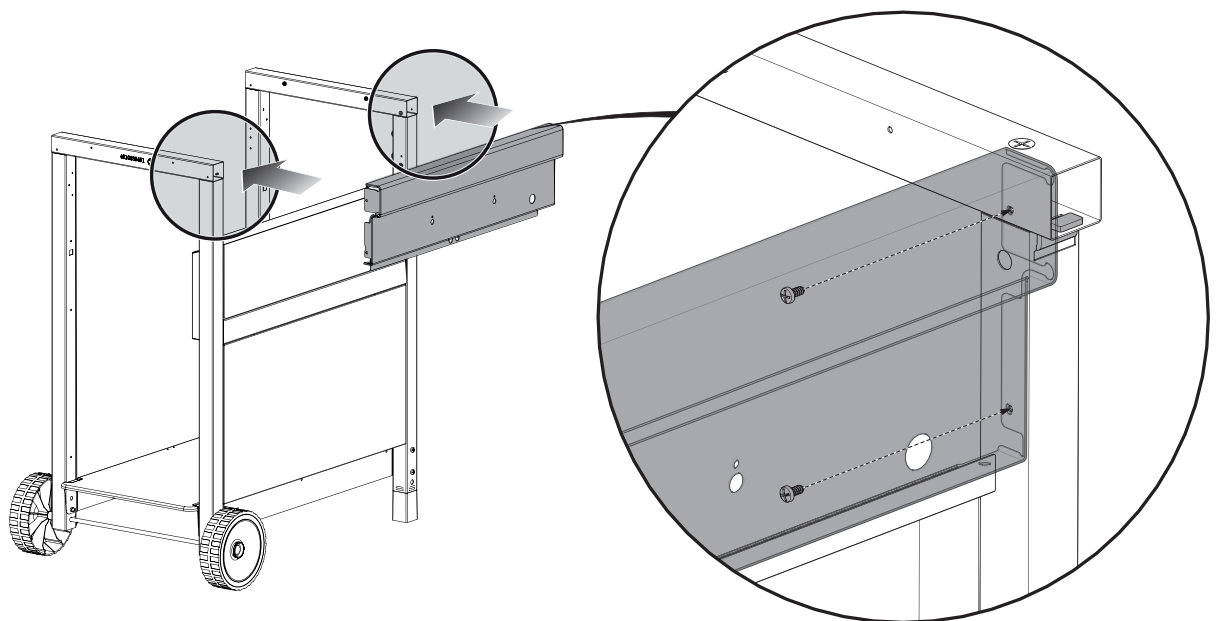
X 4

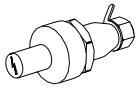
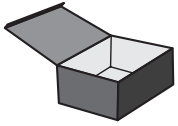


05

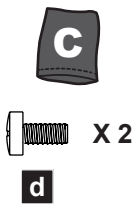
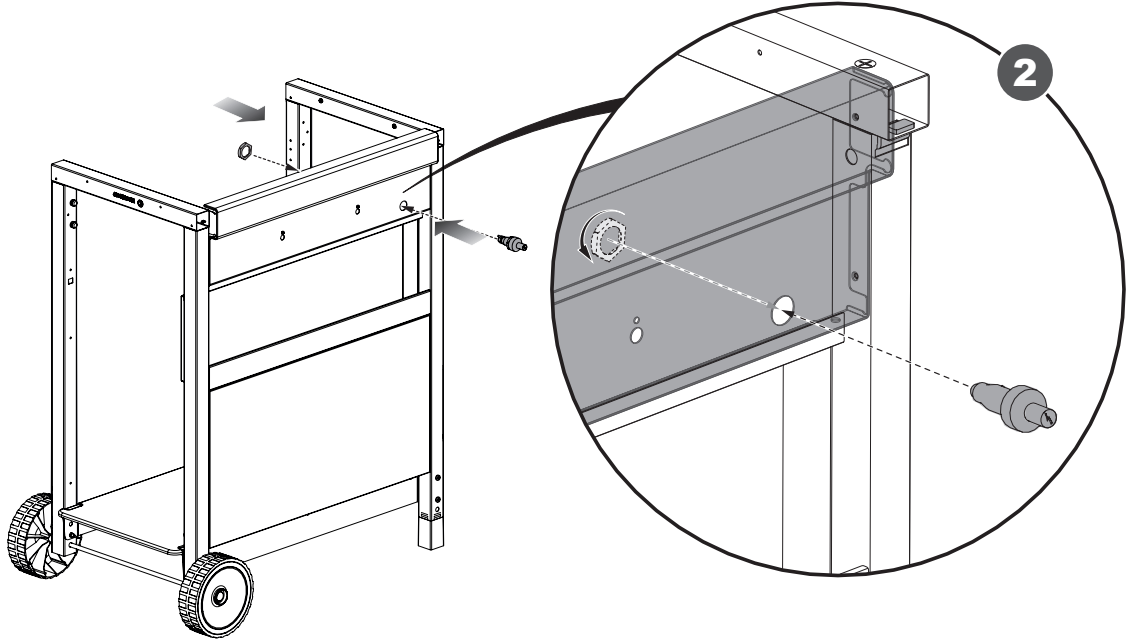
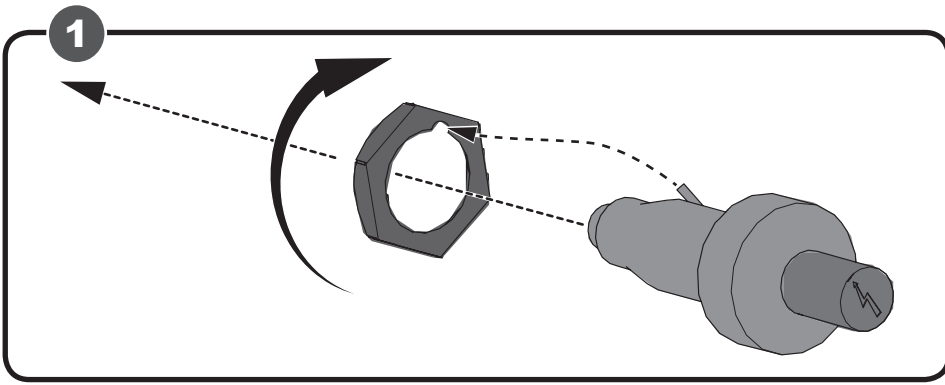


X 4



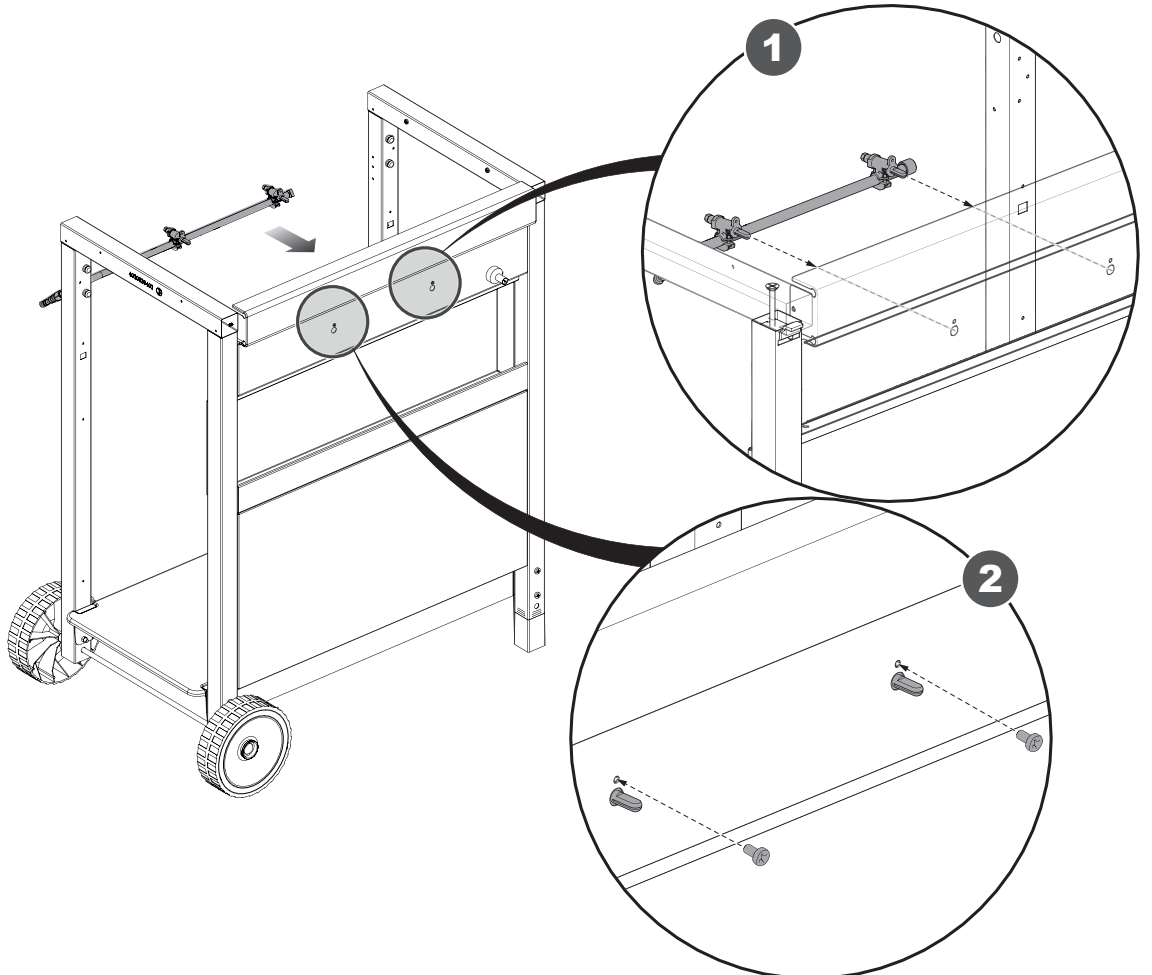


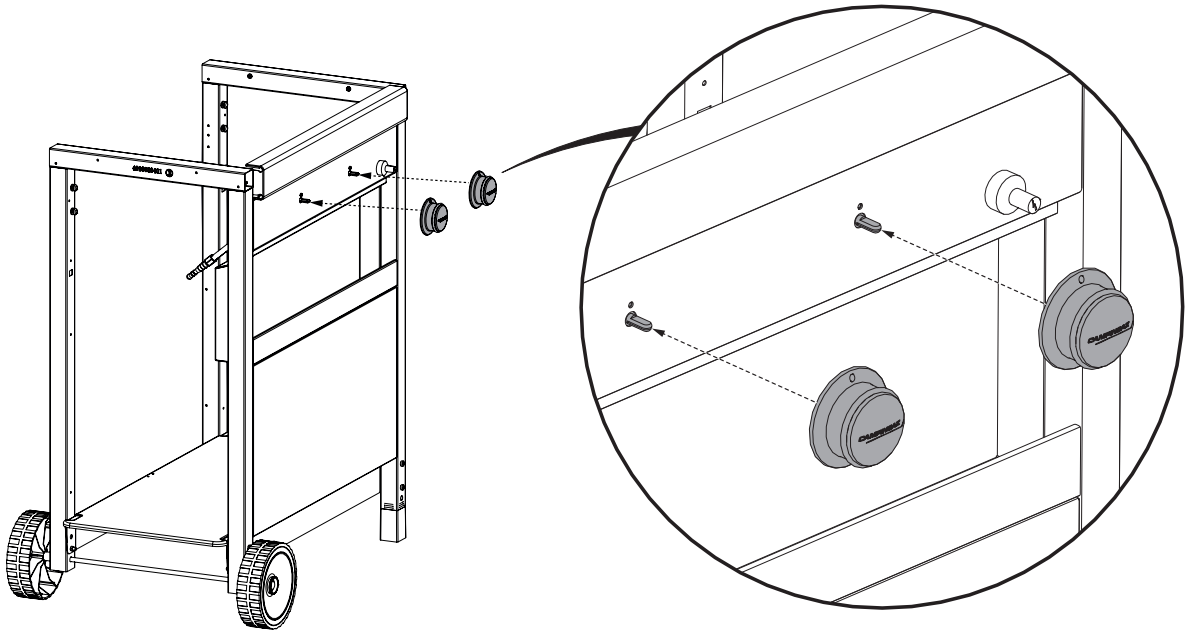
X 1



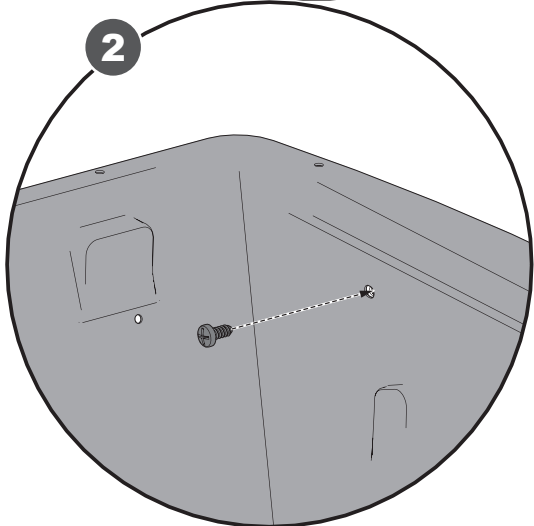
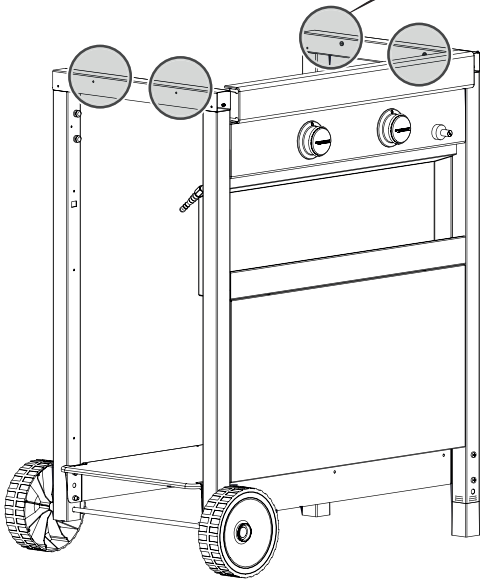
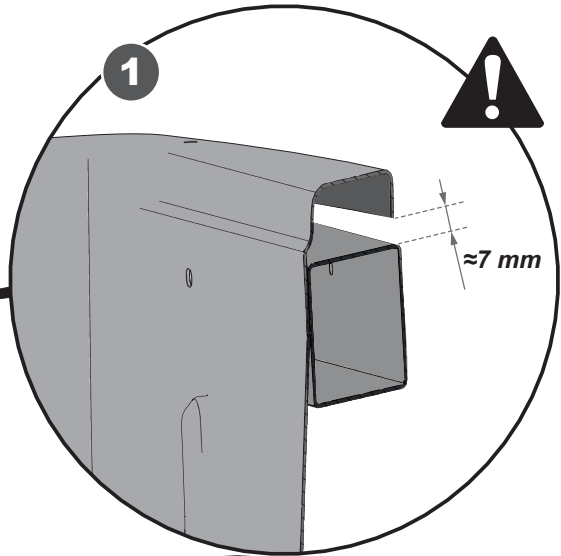
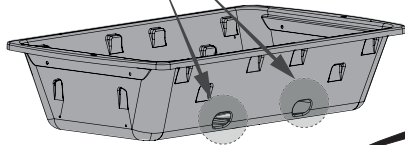
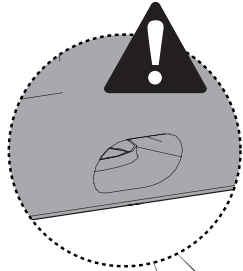
X 2

d



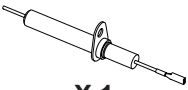


06

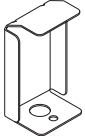


07

A

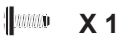


X1



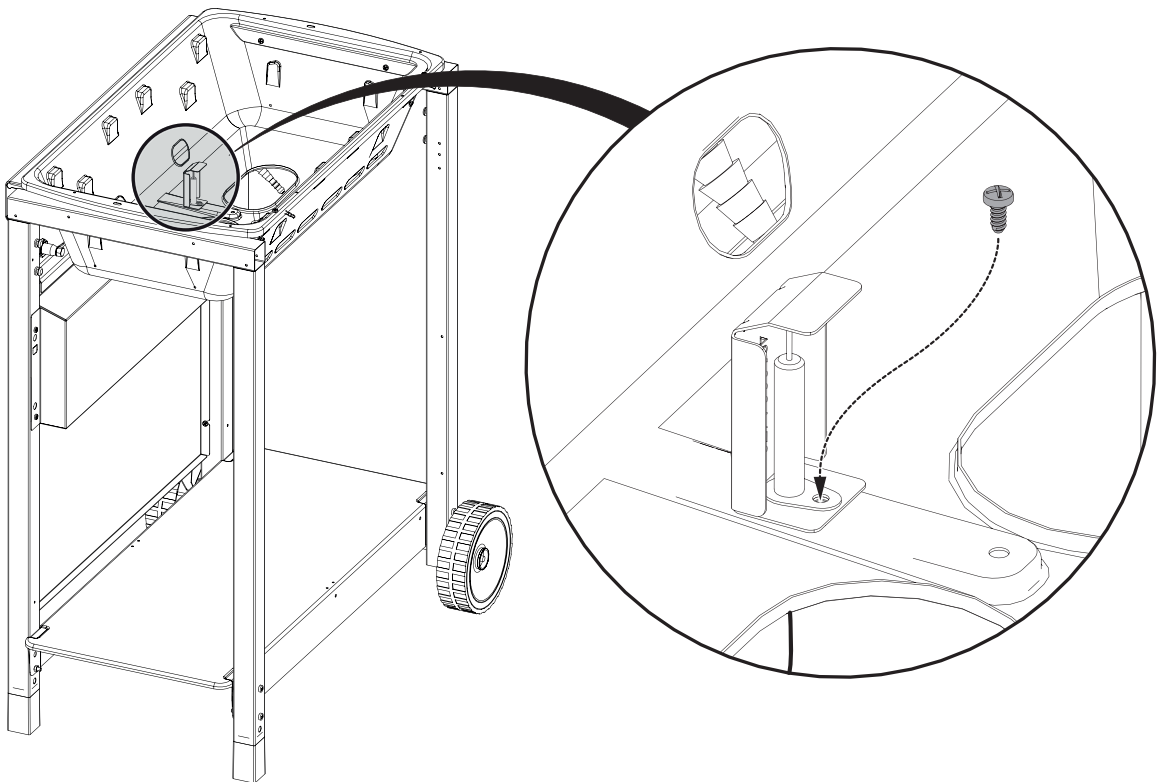
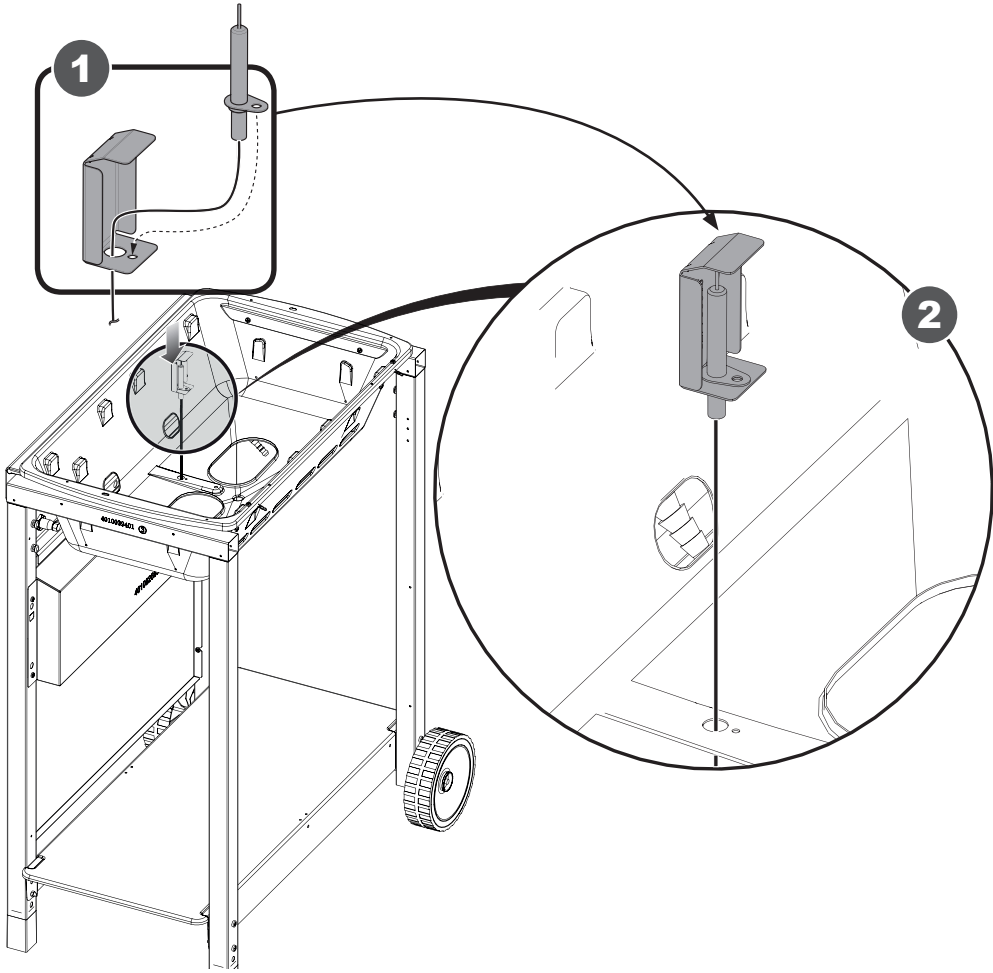
X1

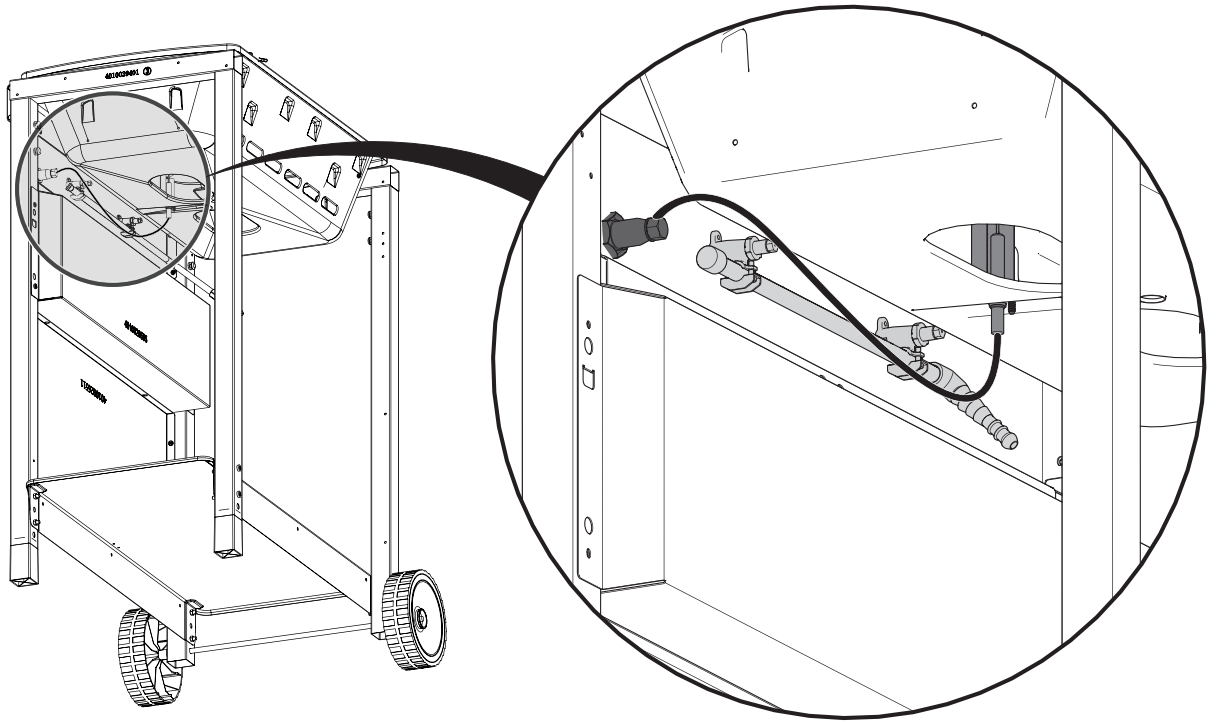
C




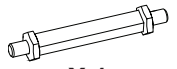


X1

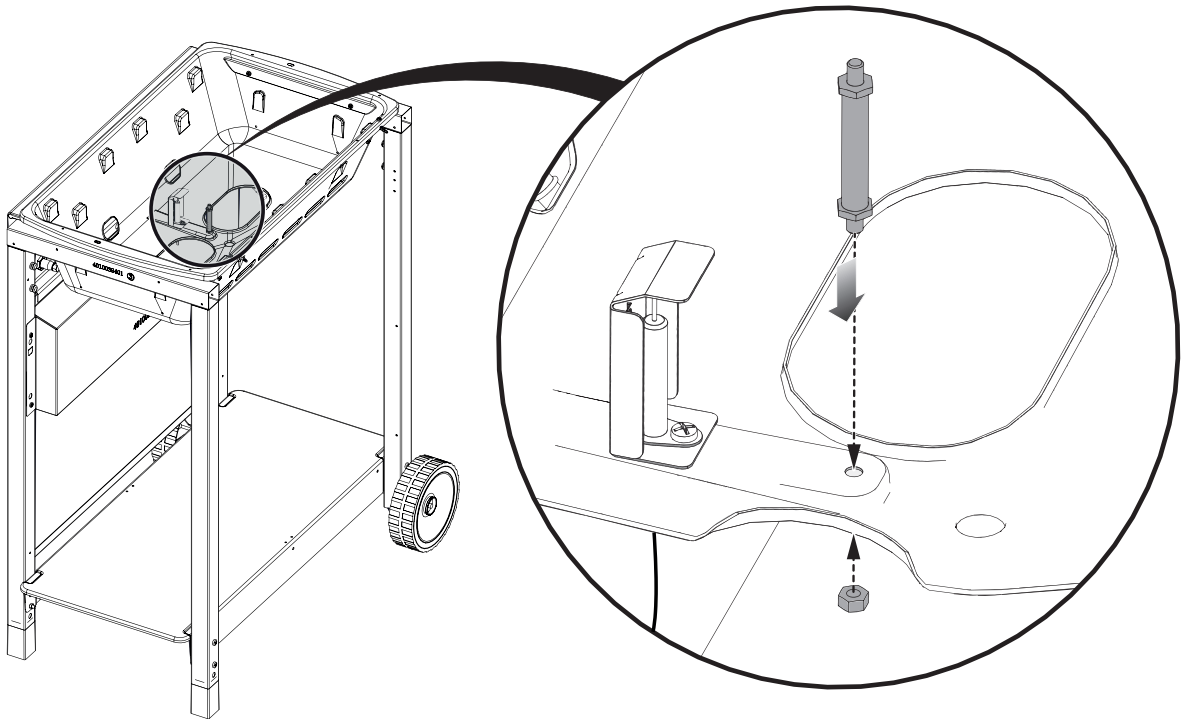
b



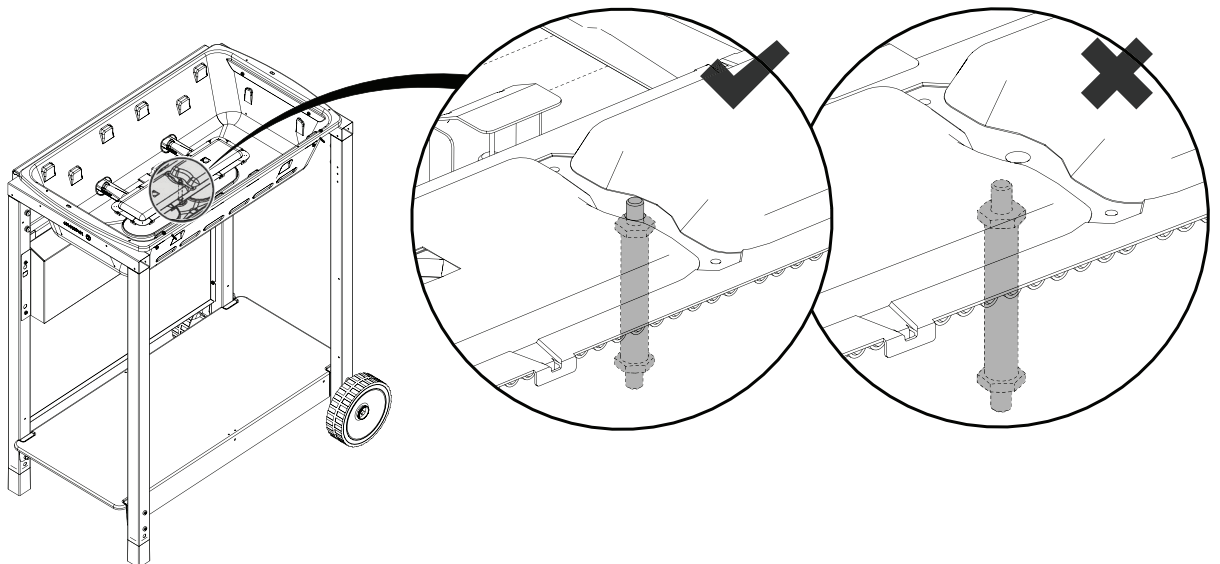
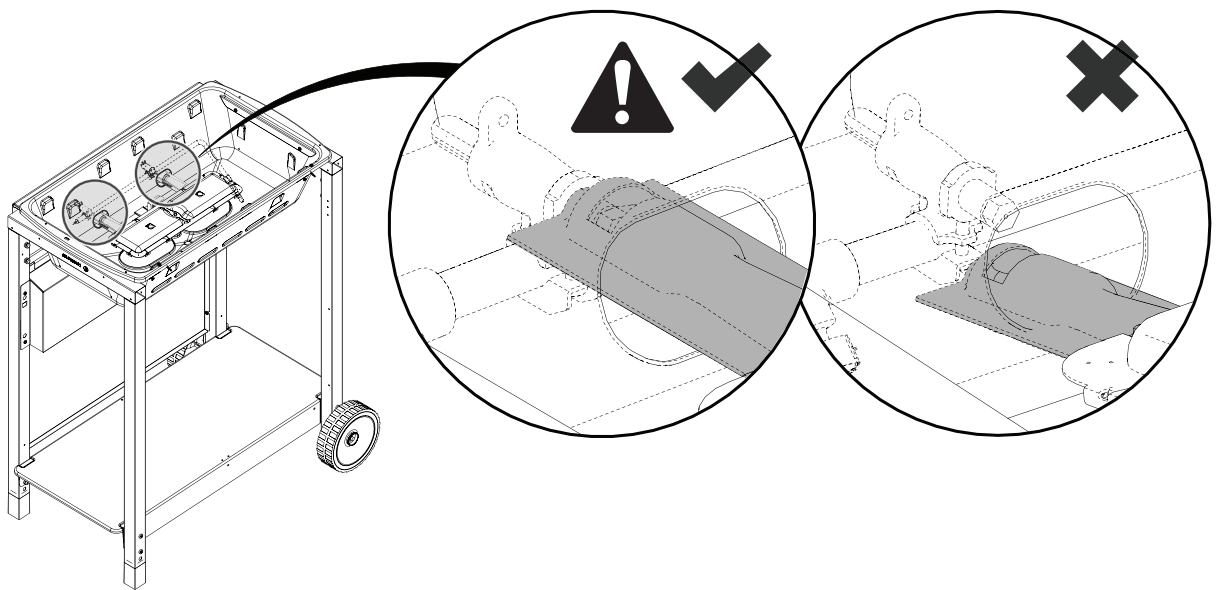
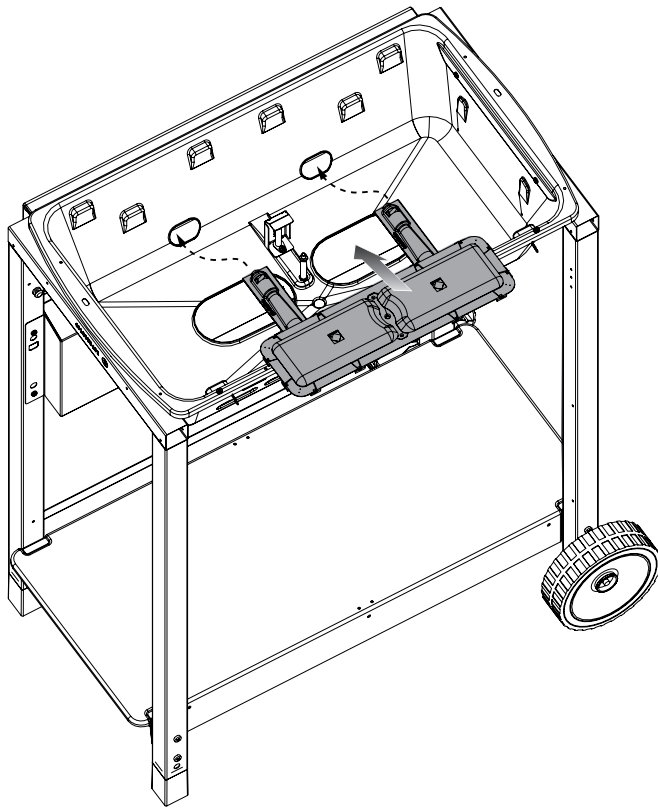


08

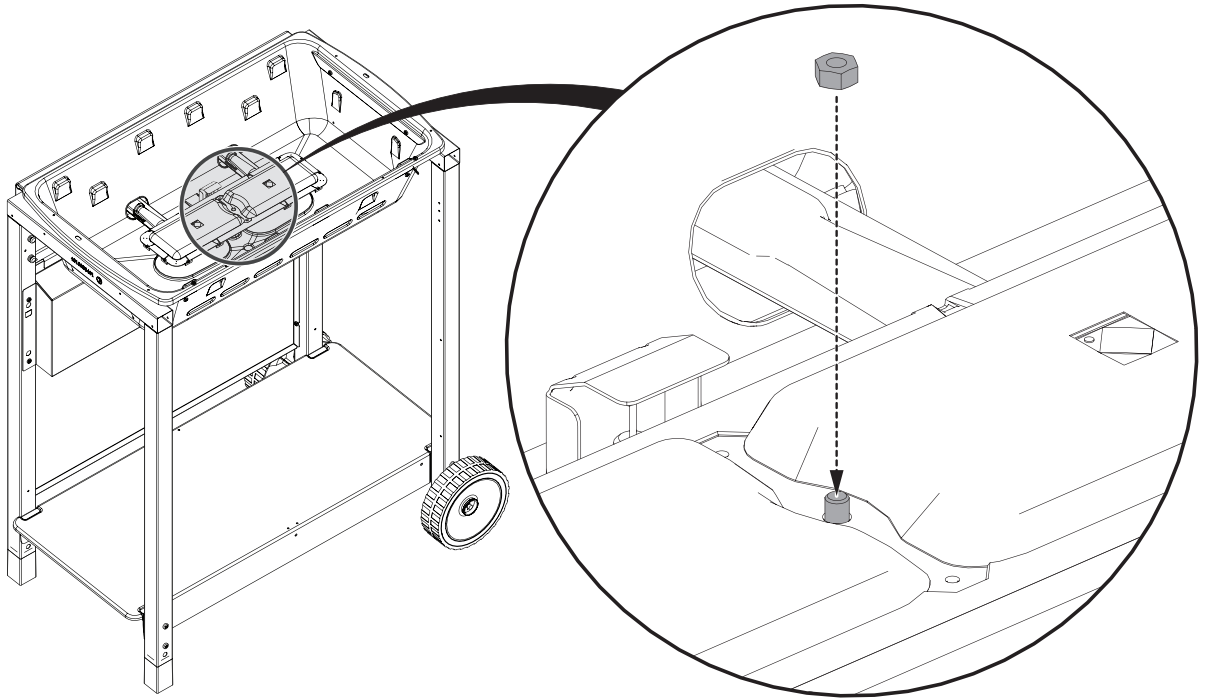
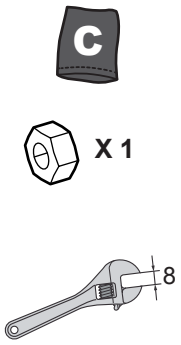
- 
C
- 
X 1
- 
X 1
- 
8



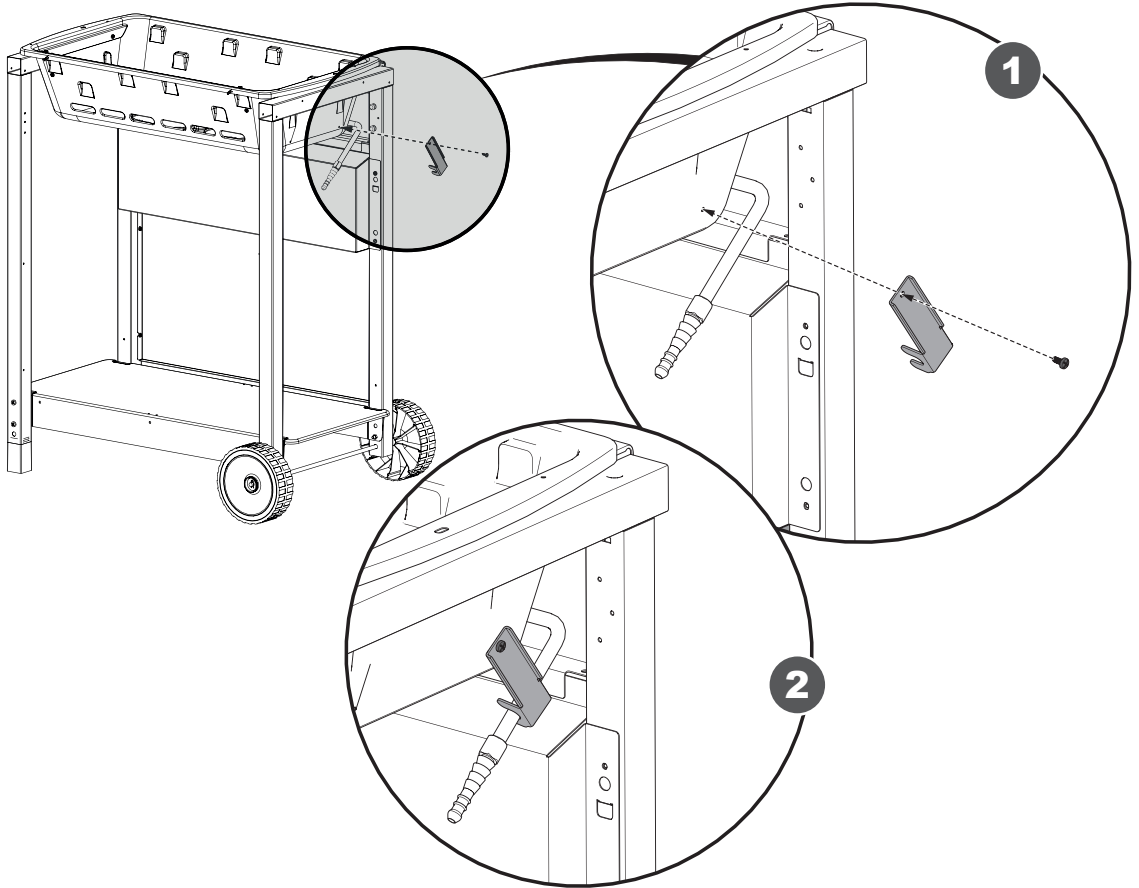
09



10

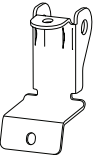


11



12

A

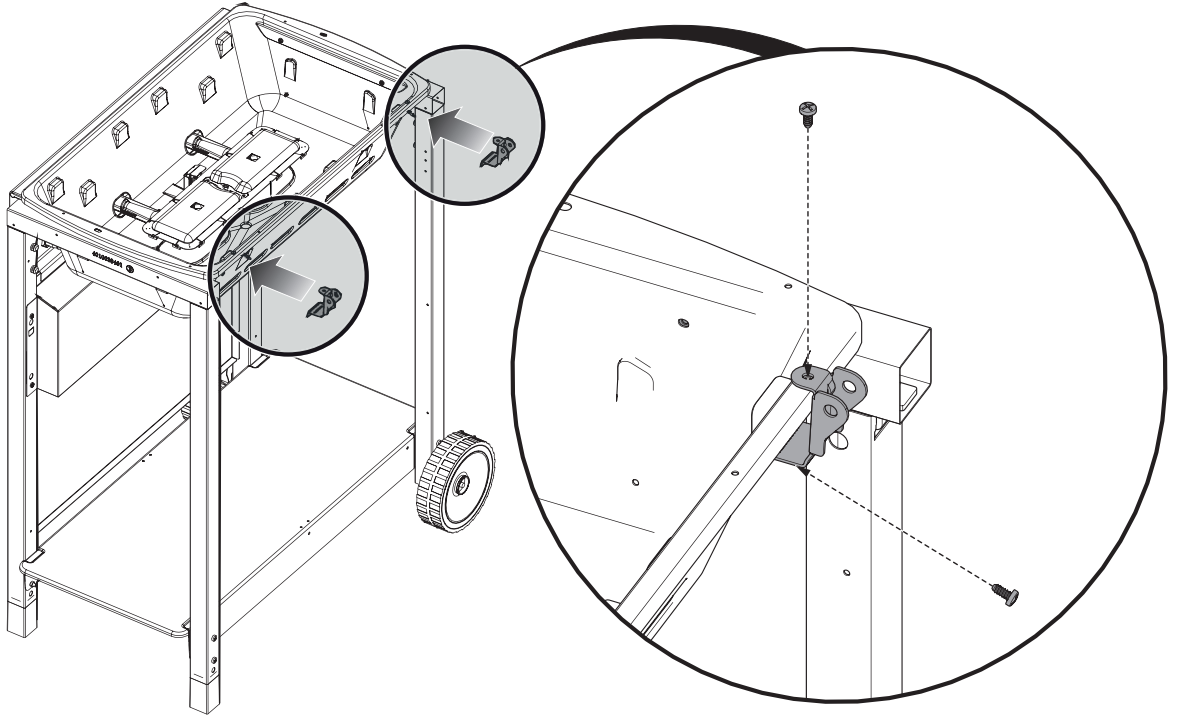


X 2

C

X 4

b

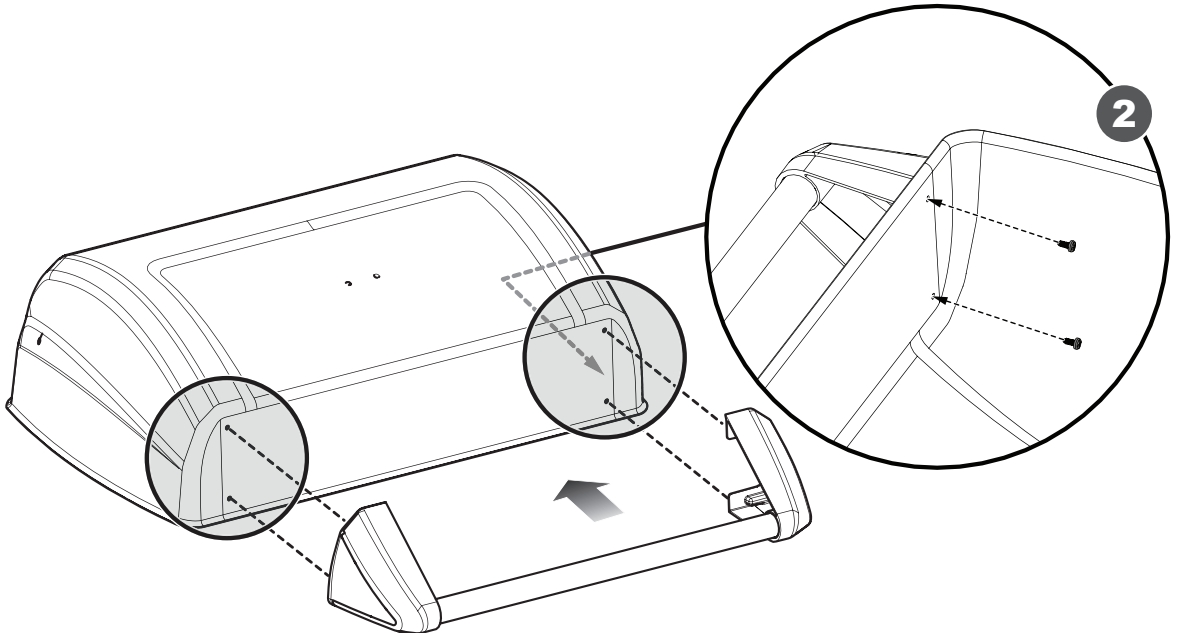
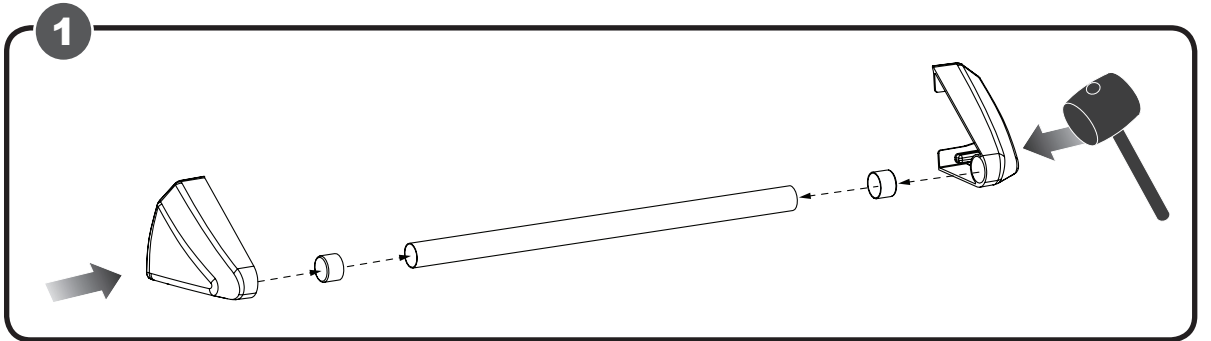


13

G

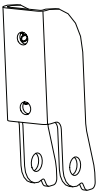
X 4

m



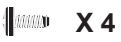
14

A



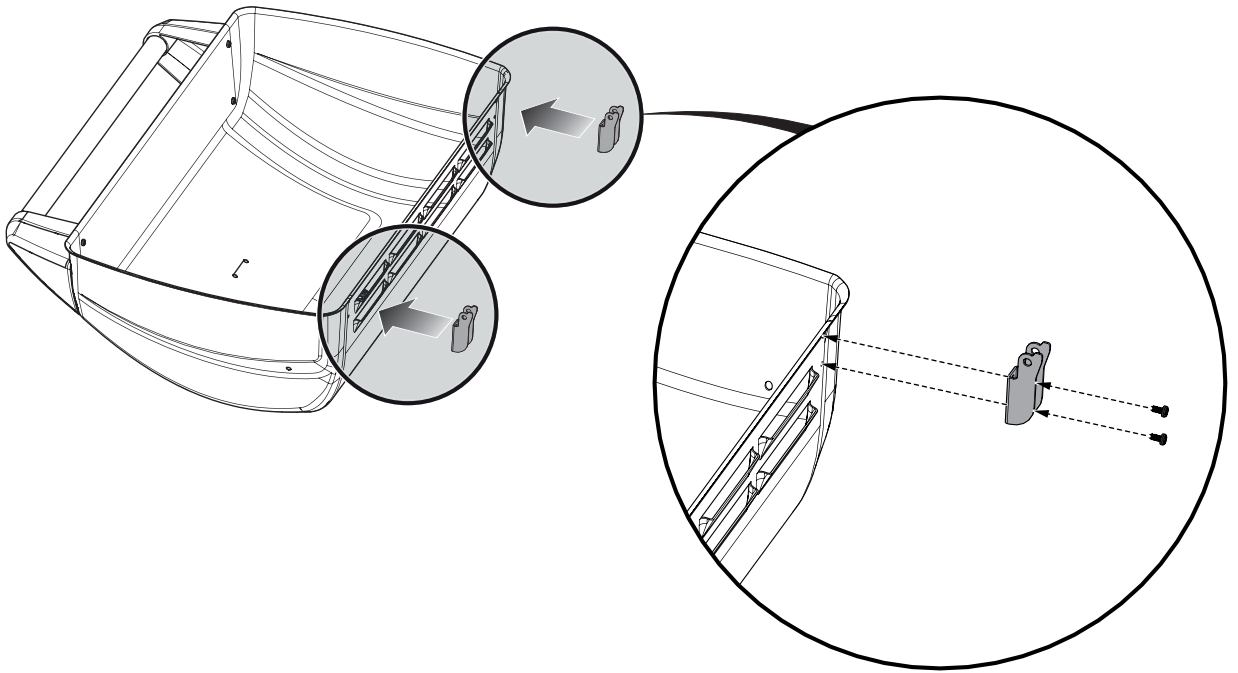
X 2

C



X 4

b



15

A

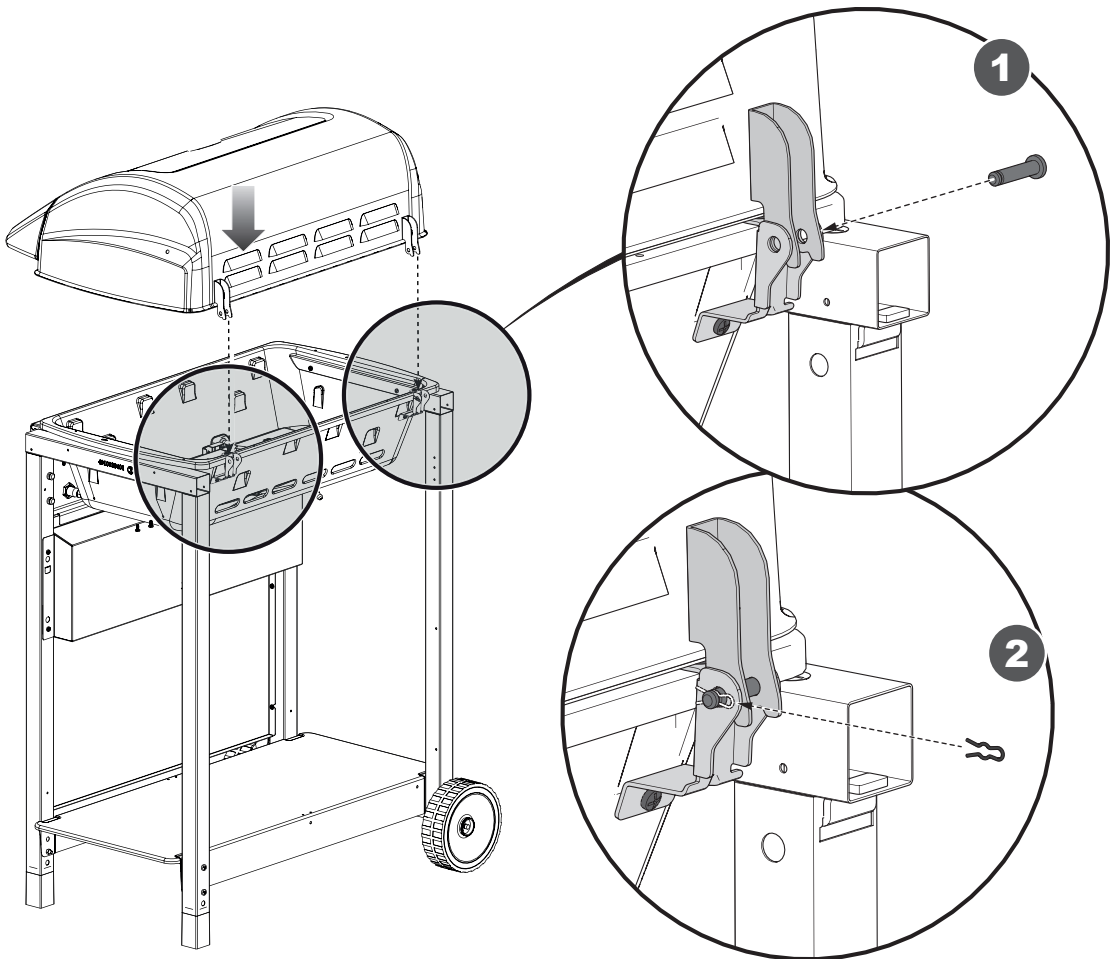


X 2

C



X 2



16



SPACER X 8

b



SCREW X 3

a



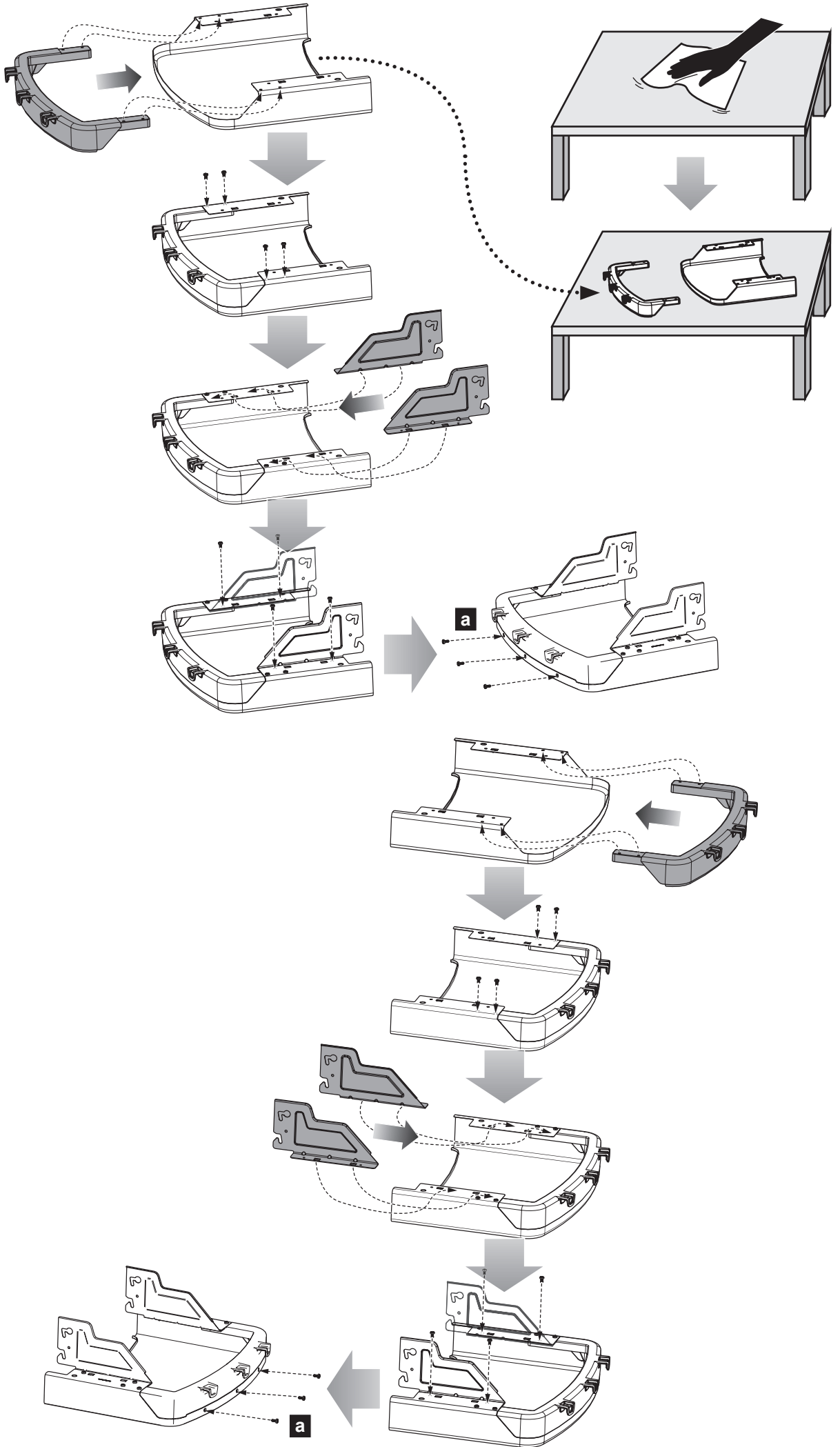
SPACER X 8

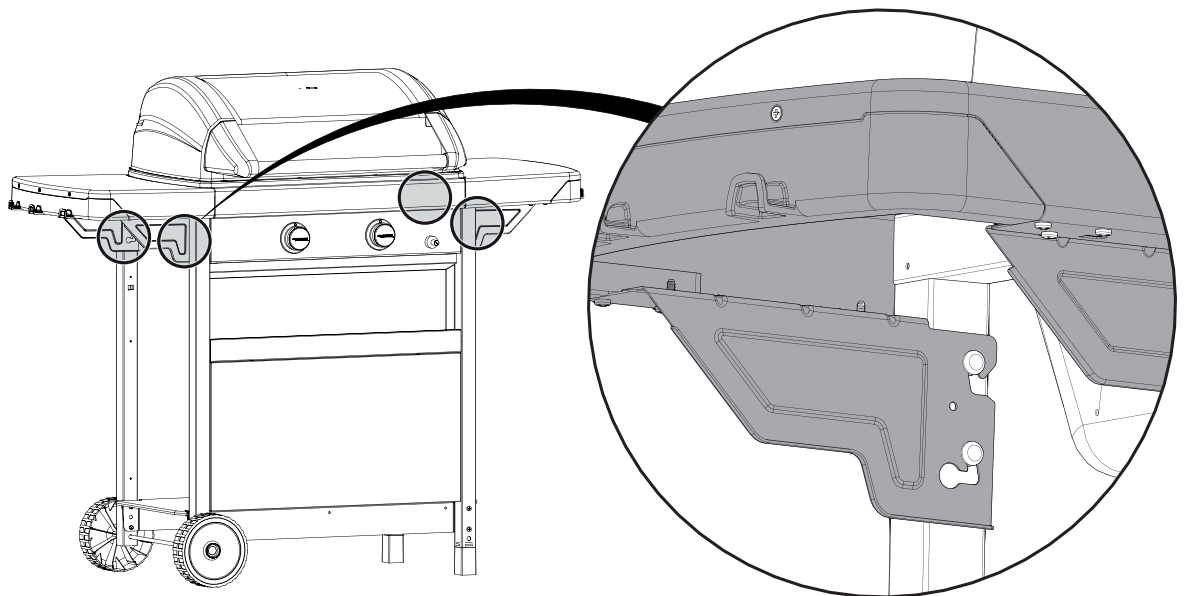
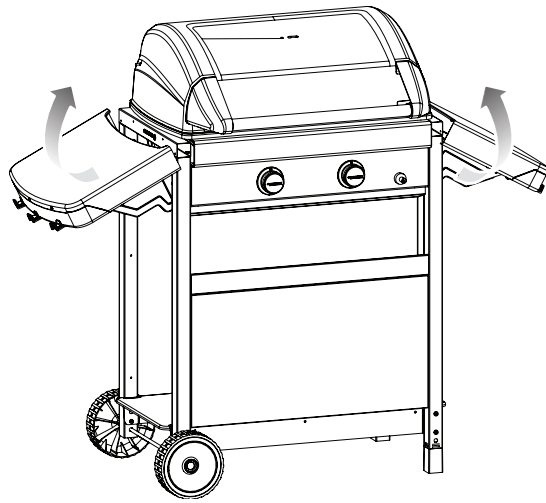
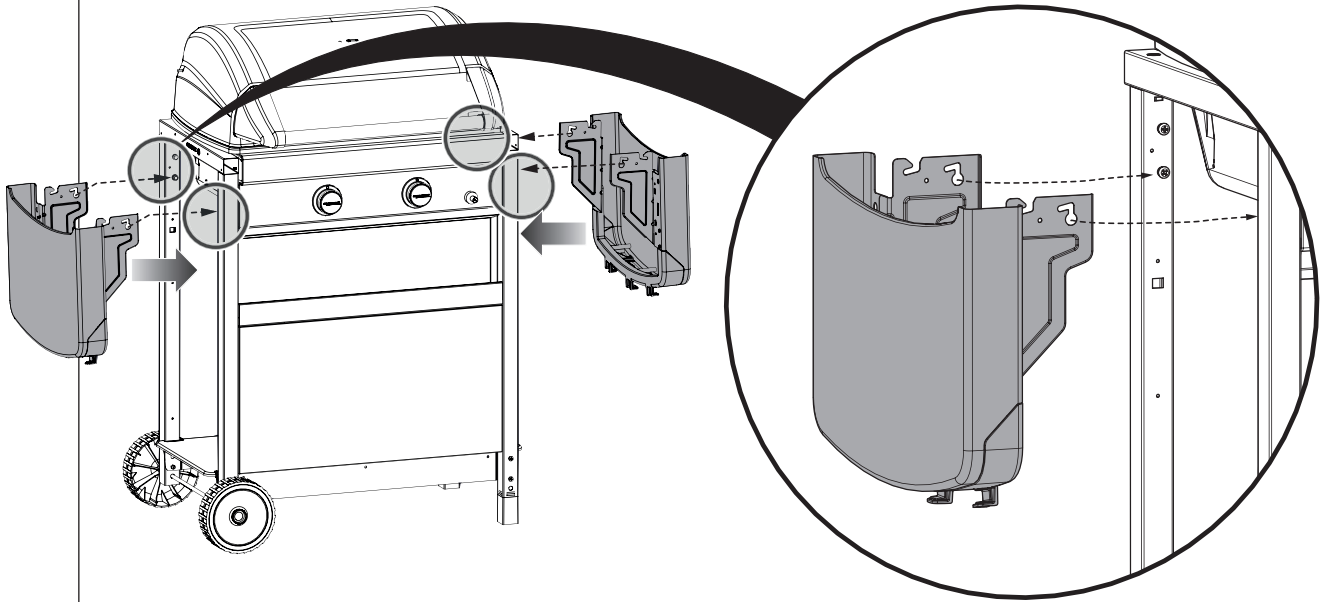
b



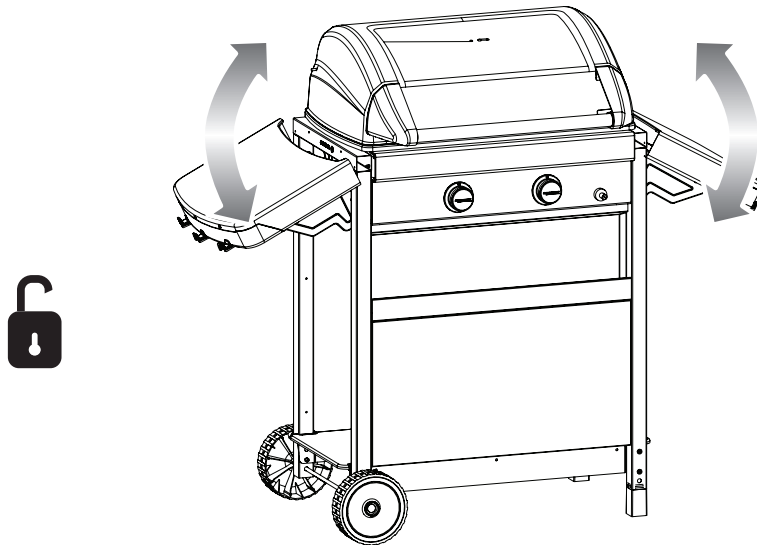
SCREW X 3

a





OPTION 1

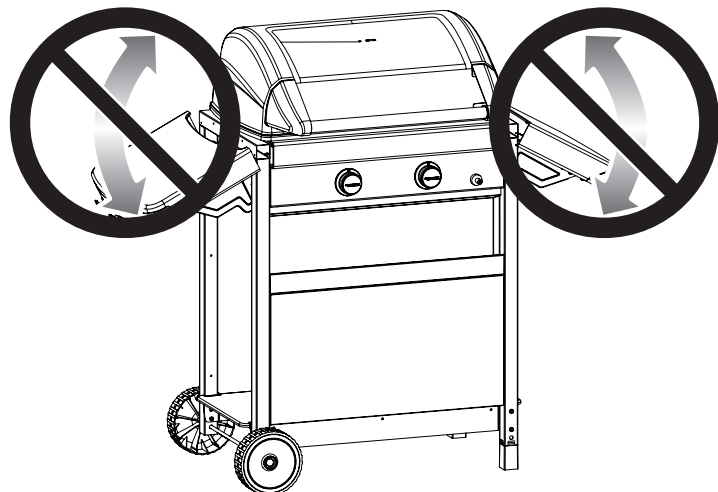
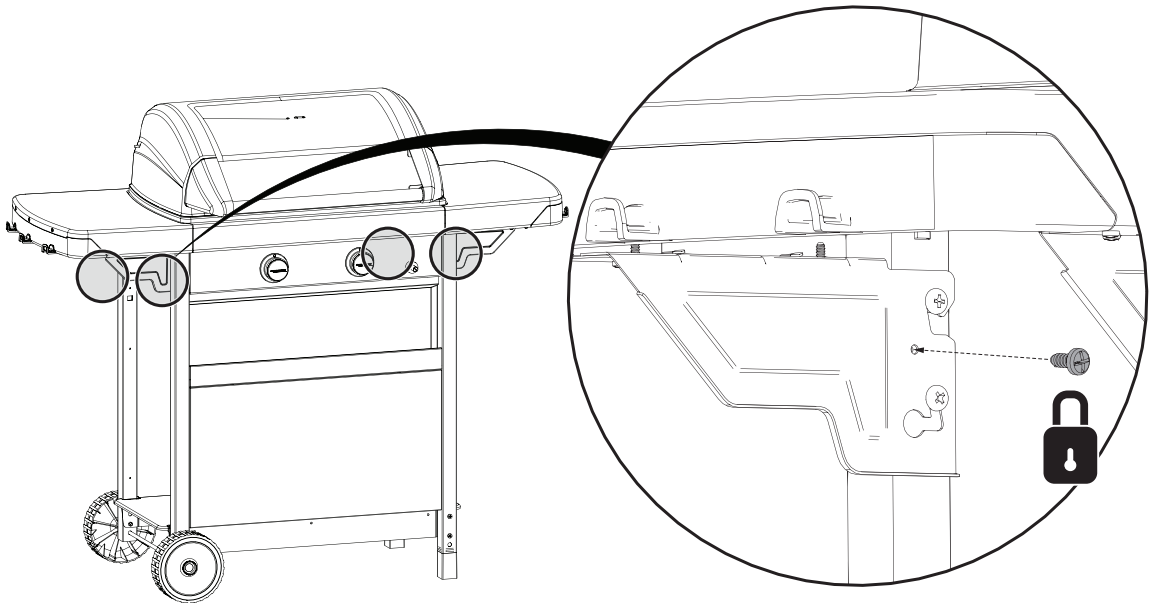


OPTION 2



X 4

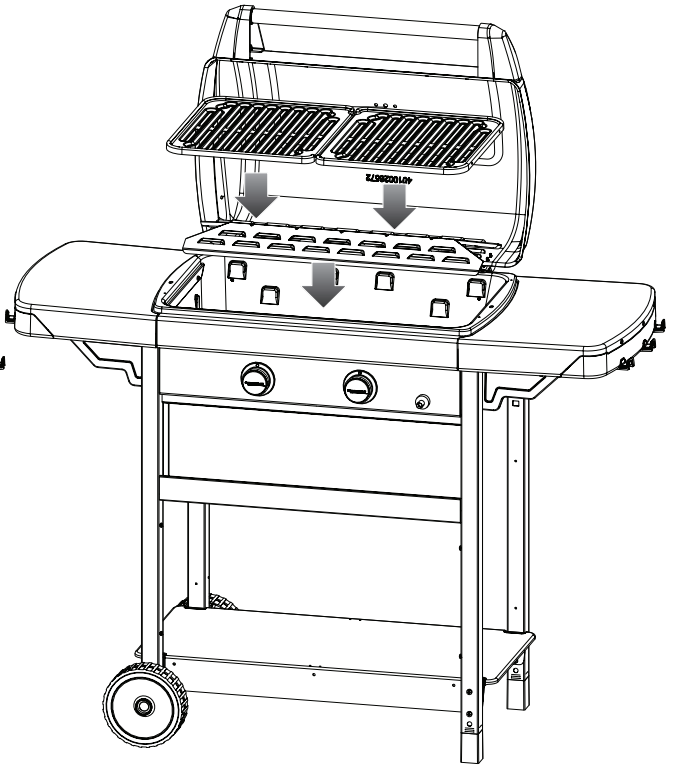
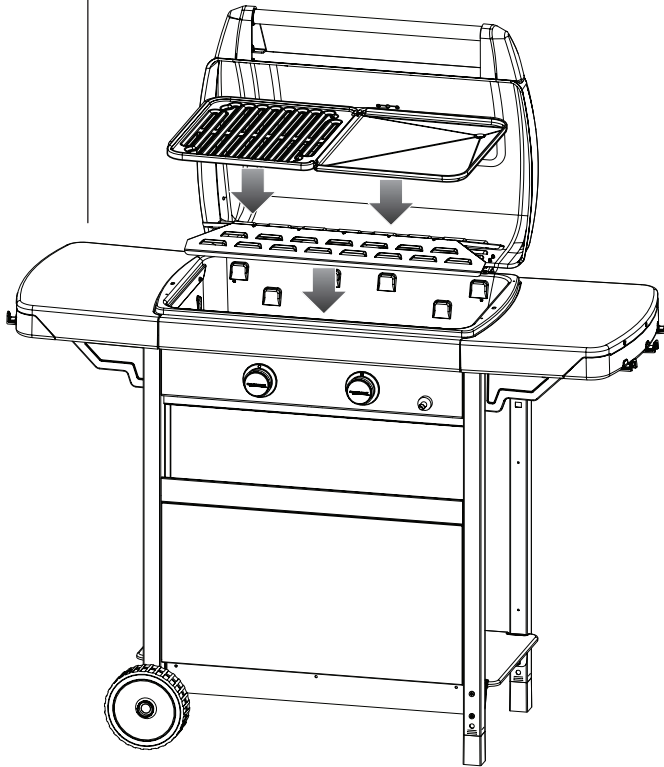
b



17

2 Classic LX Vario +
2 Classic LX Vario
Class 2 LX Vario

2 Classic LC CI
2 Classic LX
2 Classic L
Class 2 L

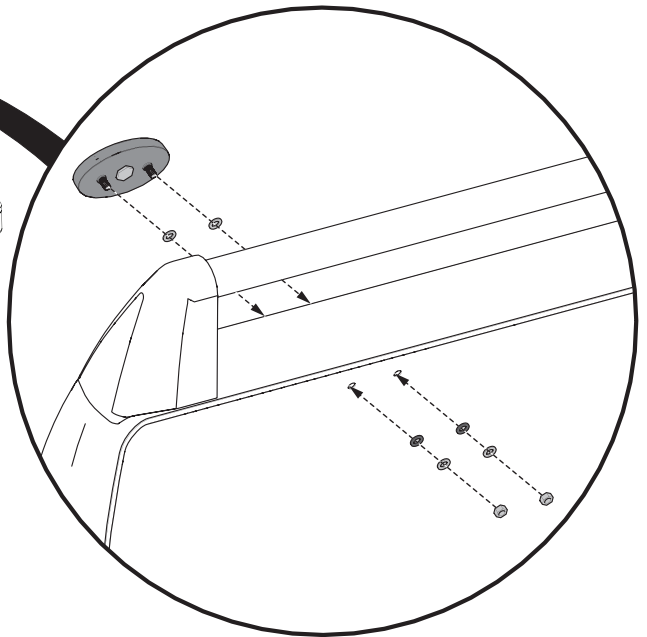
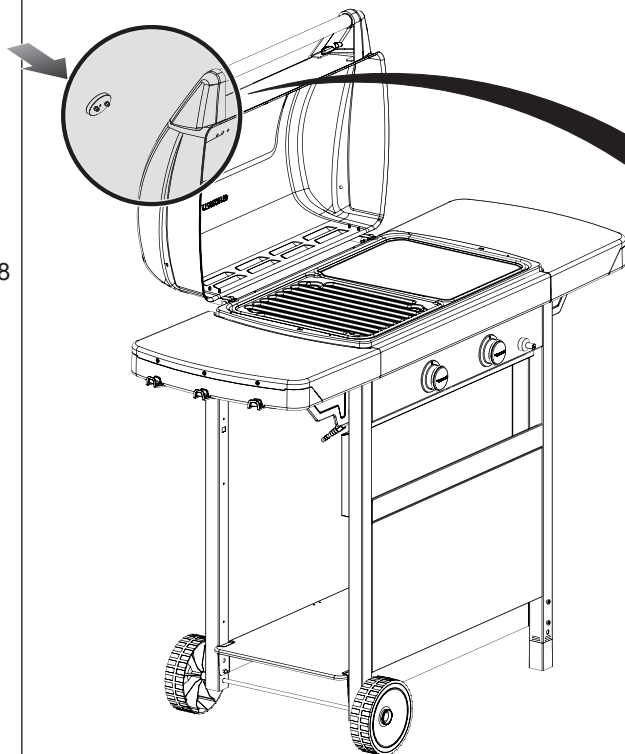


18

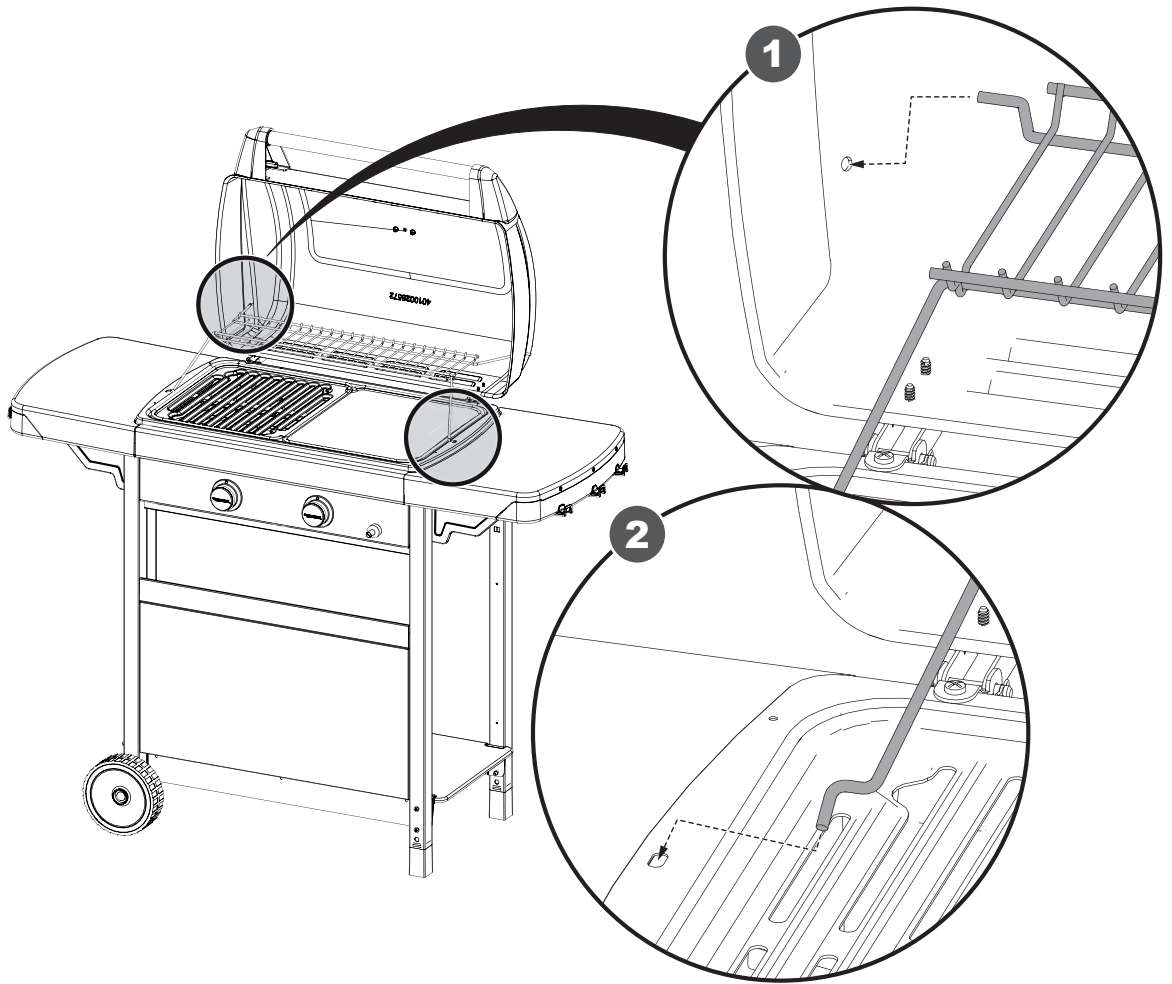
A



X 1



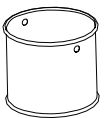
19



20



X 1



X 1

