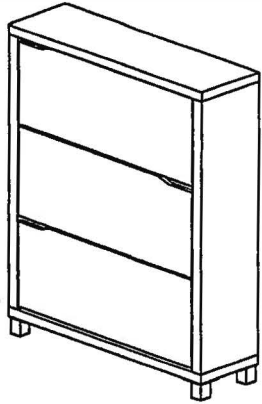
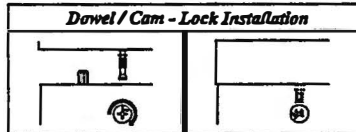


# Assembly Instruction

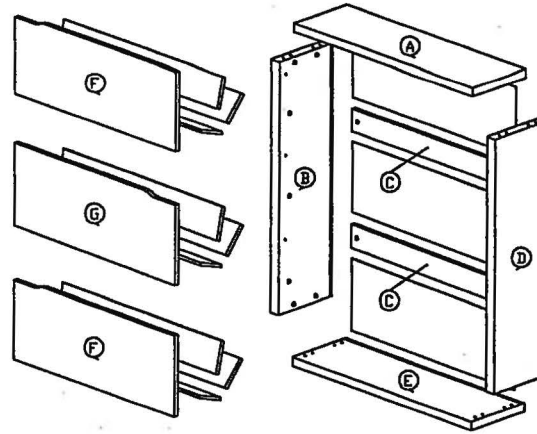
Model : Zapatero  
Kubox 3/P



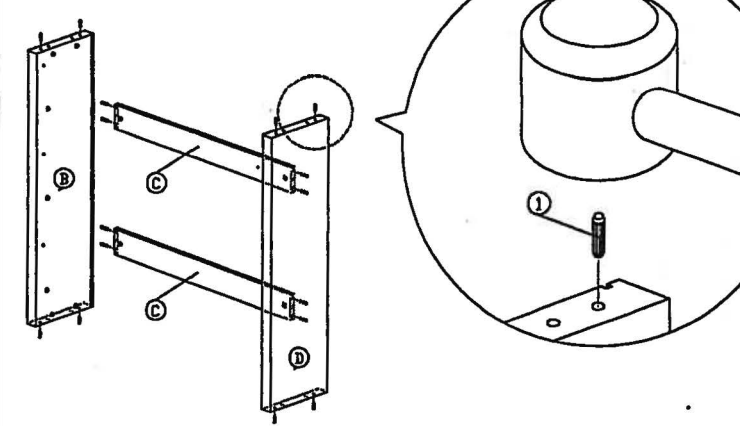
Hardware List			
No.	SHAPE	DESCRIPTION	Qty.
1		6x25mm Wood Dowel	16Pcs
2		15MM Titus Minifix	12Sets
3		M3x12mm Screw	18Pcs
4		M3.5x18mm Screw	30Pcs
5		M3.5x20mm Screw	6Pcs
6		6x30mm Plastic Dowel	6Pcs
7		2 Tray Shoe Rack	3Sets
8		Sofa Leg PVC H69	4Pcs



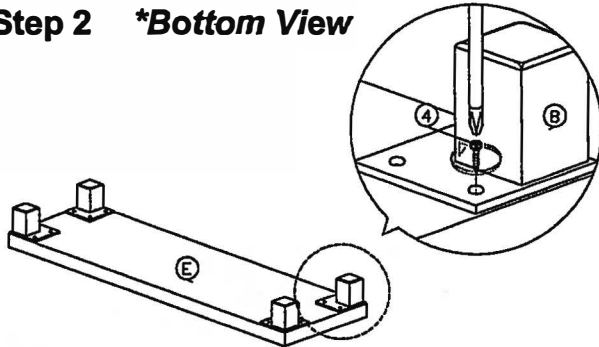
## Part List



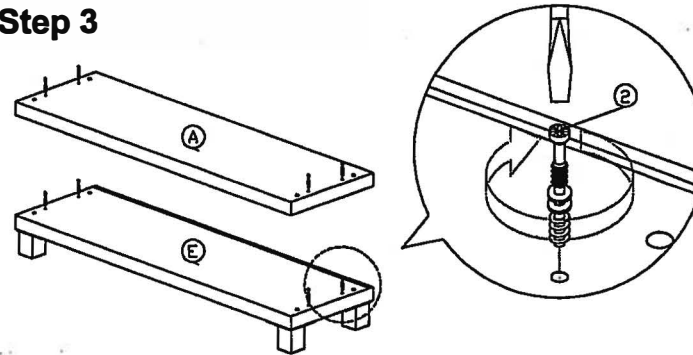
## Step 1



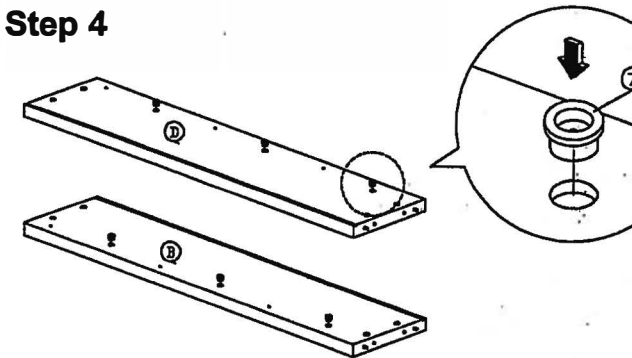
## Step 2 \*Bottom View



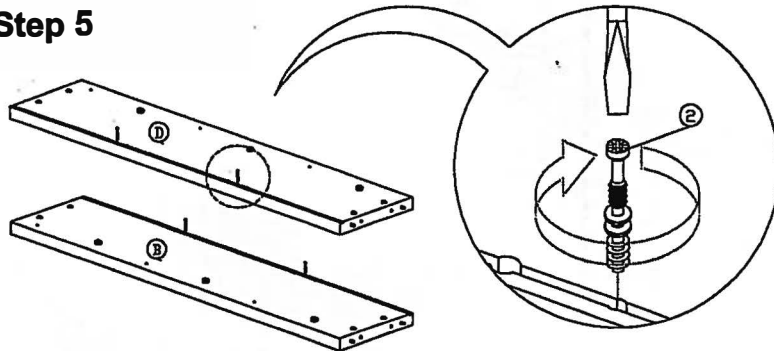
## Step 3



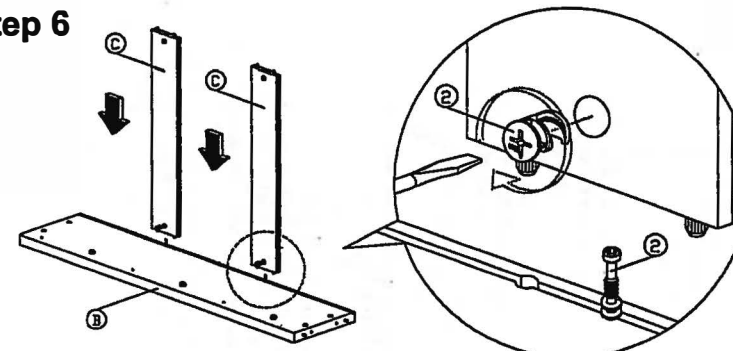
## Step 4



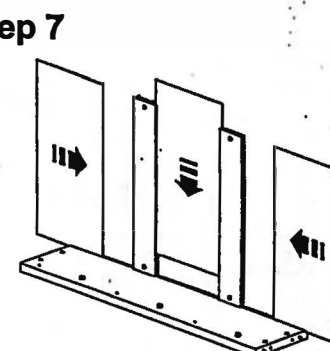
## Step 5



## Step 6

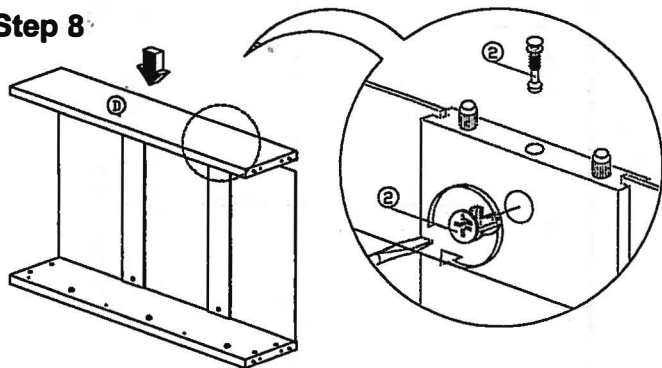


## Step 7

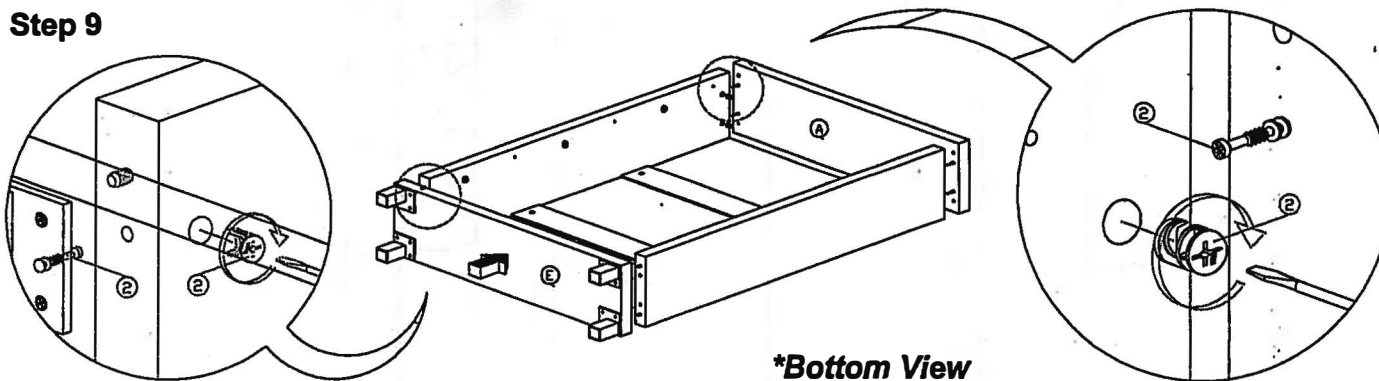


# Assembly Instruction

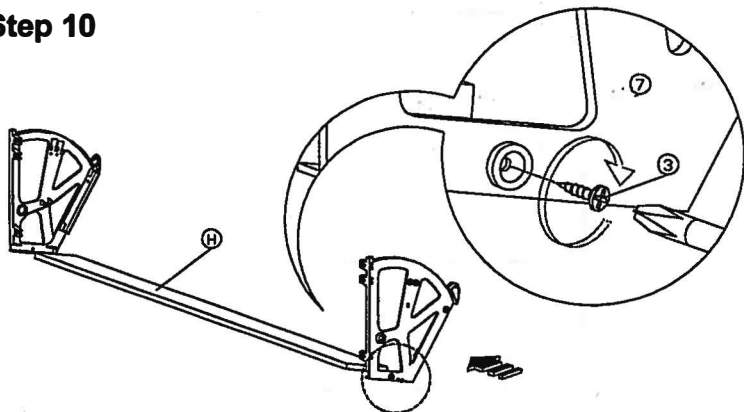
Step 8



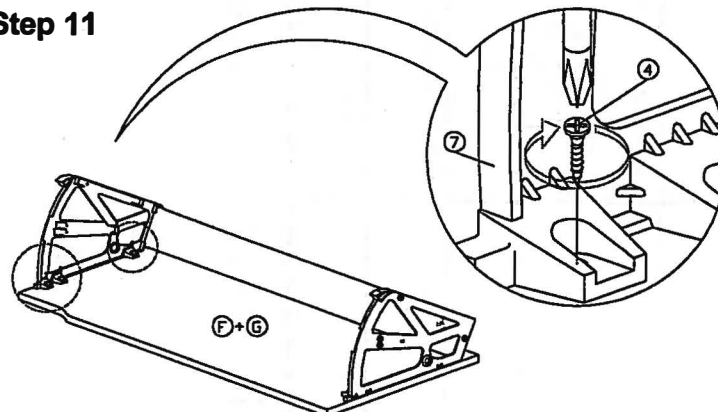
Step 9



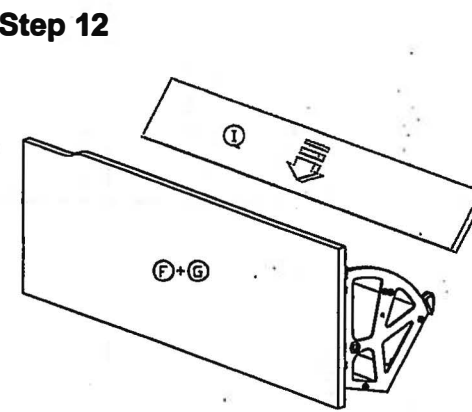
Step 10



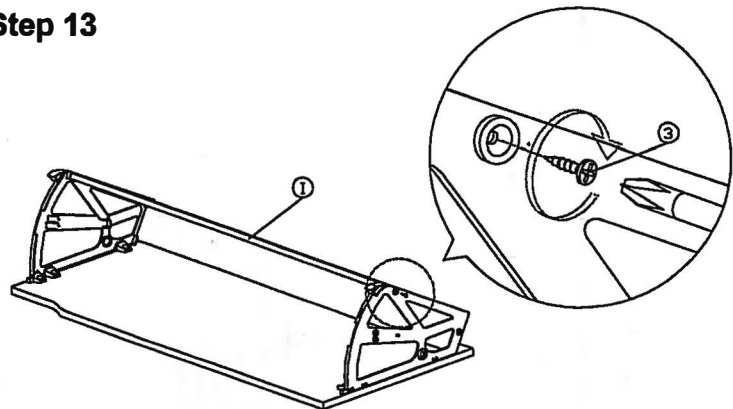
Step 11



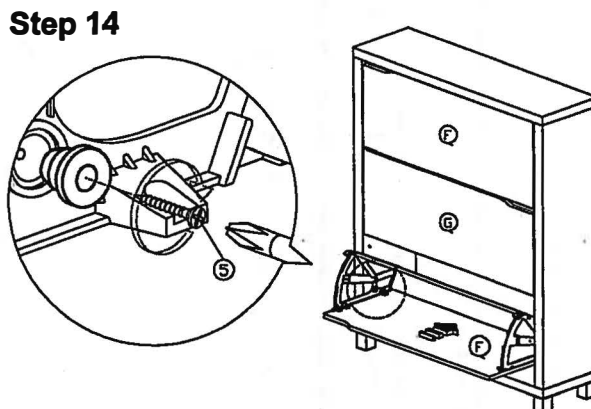
Step 12



Step 13



Step 14



Step 15

