



## Wireless Digital Room Thermostat for Heating Applications with 7-Day Time Program

CONFORT  
CRONO RADIO  
(RDE100.1/RFS-EQ\*)

\*Siemens internal model name

---

**Two-position control with ON / OFF relay output receiver for heating**  
**Operating modes: comfort and energy saving mode**  
**7 day time program and manual operation**  
**Holiday Mode**  
**Keypad Lock**  
**Periodic pump run and anti-lime function**  
**Battery-powered (2 AAA Alkaline batteries)**  
**433 MHz radio transmission frequency**  
**Including wall/equipment-mount RADIO RECEIVER (not sold separately)**  
**Including fold-out stand (not sold separately)**

### Use

---

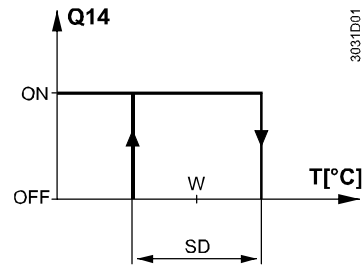
The wireless CONFORT CRONO RADIO is used for the control of the room temperature in heating systems.

For the control of the following pieces of equipment:

- Wall hung boilers
- Thermic valves or zone valves
- Gas or oil burners
- Fans
- Pumps

**Function**

The wireless thermostat acquires the room temperature with its integrated sensor and maintains the setpoint by delivering control commands. The switching differential is 1 K.



- T Room temperature
- SD Switching differential
- W Room temperature setpoint
- Q14 Output signal for heating from receiver

**Operating modes**

The wireless CONFORT CRONO RADIO provides comfort mode and, optionally, energy saving mode. The difference between comfort and energy saving mode is only the room temperature setpoint. The changeover between the operating modes can be made either automatically according to the 7-day time or manually with the operating mode button.

**Comfort mode**

When comfort mode is activated, symbol appears on the display. The setpoint can be readjusted by pressing buttons '+' and '-'.

**Energy saving mode**

When energy saving mode is activated, symbol appears on the display. The setpoint can be readjusted by pressing buttons '+' and '-'.

**7-day time program**

The changeover between the operating modes can take place either automatically or manually (, ,) depending on the activated operating mode. When the activated operating mode is in , changeover will take place automatically according to the selected switching pattern. For every weekday, a specific factory default setting (to be confirmed):

Day(s)	Comfort mode	Energy saving mode
Mon (1) – Fri (5)	7:00 – 9:00 hr and 17:00 – 22:00 hr	22:00 – 7:00 hr and 09:00 – 17:00 hr
Sat (6) – Sun (7)	7:00 – 22:00 hr	22:00 – 7:00 hr

The current setpoint can be temporarily readjusted by pressing buttons "+" and "-". The setpoint will then be reset to its initial value the next time automatic or manual changeover takes place.

When the operating mode is set to or , the CONFORT CRONO RADIO will maintain comfort mode or energy savings mode respectively.


**Holiday mode**

When holiday mode is activated, symbol appears on the display. The countdown days in holiday mode can be adjusted by pressing "+" and "-" from 0 to 365 days. The holiday mode setpoint can be adjusted.

**Keypad Lock**

Press and hold for operating mode button for 7 seconds and this will activate the keypad lock .

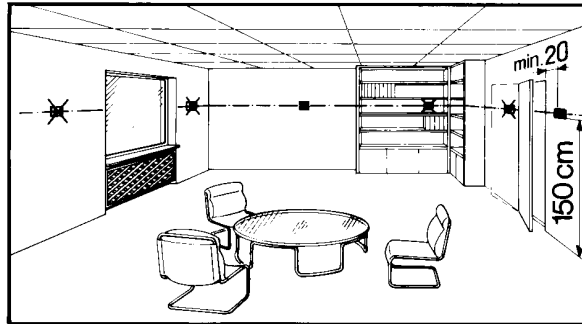
## Periodic pump run and anti-lime function

Applicable with controlled circulating pump or valve. This function protects the pump or valve during extended OFF periods against possible seizure caused by liming. Periodic pump run is activated every 24 hours at 12 p.m. for three minutes (symbol  is displayed during active pump run). This function can be enabled and disabled by means of a parameter.

## Notes

---

The wireless room thermostat should be mounted or placed in a location where the air temperature can be measured as accurately as possible without getting adversely affected by direct solar radiation or other heat or refrigeration sources. The room thermostat can also be used in a portable manner. It features a fold-out stand allowing it to be placed on a horizontal surface such as a bedside table. Mounting height is about 1.5 m above the floor.



The unit can be fitted to a recessed conduit box or directly on the wall.

## Mounting, installation and commissioning

When mounting the unit, fix the baseplate first. The receiver does not require any baseplate. Make the electrical connections and fit and secure the receiver (also refer to separate Mounting Instructions).

The thermostat must be mounted on a flat wall and in compliance with local regulations.

If there are thermostatic radiator valves in the reference room, they must be set to their fully open position.

## Maintenance

The thermostat and receiver is maintenance-free.

## Change of batteries

Before the batteries are exhausted, the symbol for changing the batteries appears. In that case, there are 5 days left to change the batteries.

## Disposal

---



The devices are considered electronics devices for disposal in term of European Directive 2012/19/EU and may not be disposed of as domestic waste.

- Dispose of the device via the channels provided for this purpose.
- Comply with all local and currently applicable laws and regulations.
- Dispose of empty batteries at designated collection points.

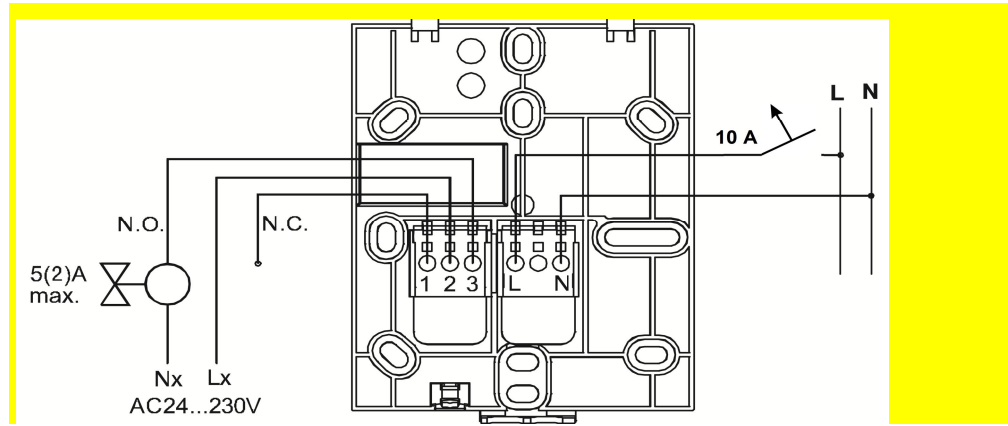
## Technical data (Thermostat/Transmitter)

Power supply	Operating voltage	DC 3 V (2 x 1.5 V AAA Alkaline batteries)	
	Battery life	> 1 year (AAA Alkaline batteries)	
Functional data	Switching differential SD	1 K	
	Setpoint setting range	4...35 °C (comfort mode)	
		4...35 °C (energy saving mode)	
		4...35 °C (holiday mode)	
	Increments	0.5 °C	
	Factory setting comfort mode	20 °C	
	Factory setting energy saving mode	16 °C	
	Factory setting holiday mode	12 °C	
	Resolution of settings and displays		
	Setpoint	0.5 °C	
Switching times	15 min		
Actual value displays	0.5 °C		
Time of day displays	1 min		
Standards	<b>EU Conformity (CE)</b>	<b>8000078267</b>	
	Safety class	III to EN 60730-1	
	Pollution degree	2	
	Degree of protection of housing	IP30 to EN 60529	
Environmental conditions	Operation	IEC 60721-3	
	Climatic conditions		
	Temperature	0...+45°C	
	Humidity	< 85% r.h.	
	Storage and transport	IEC 60721-3	
	Climatic conditions		
	Temperature	-25...+70°C	
	Humidity	< 93% r.h.	
Mechanical conditions		Class 2M2	

## Radio Receiver 433 MHz

Power supply	Operating voltage	AC 230 V
	Power	8 VA
	Frequency	50 Hz
Outputs	Switching capacity of relays	
	Voltage	AC 24...230 V
	Current	5(2) A
	External protection for incoming cable	Max. 10 A
	Circuit breaker	
	Circuit breaker tripping characteristic	Type B, C or D to EN 60898 and EN 60947
Electrical connections	Connection terminals	Screw terminals
	For solid wires	2 x 1.5 mm <sup>2</sup>
	For stranded wires	1 x 2.5 mm <sup>2</sup>
Environmental conditions	Operation	IEC 60721-3
	Climatic conditions	Class 3K3
	Temperature	0...+45 °C
	Humidity	<85% r.h.
	Storage and transport	IEC 60721-3
	Climatic conditions	Class 2K3
	Temperature	-25...+70 °C
Humidity	<93% r.h.	
	Mechanical conditions	Class 2M2
Standards	EU Conformity (CE)	8000078267
	Safety class	II as per EN 60 730
	Pollution degree	2
	Degree of protection of housing	IP30 to EN 60529

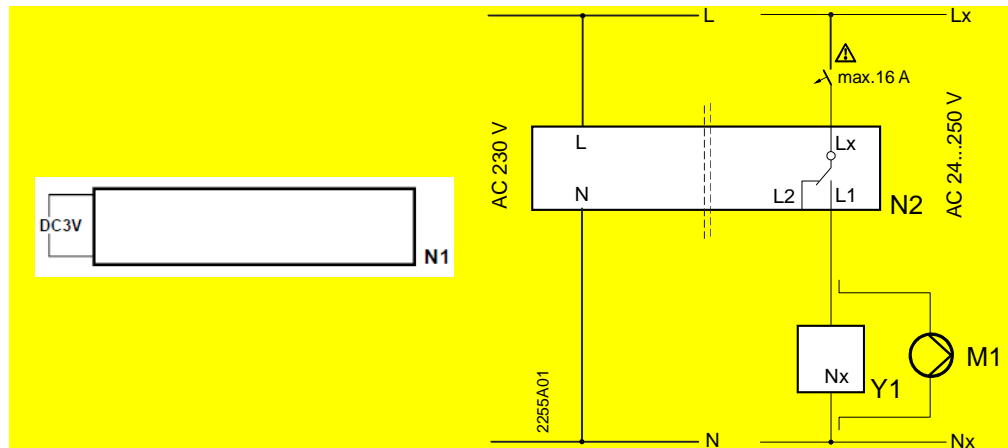
Connection diagram



Thermostat CONFORT CRONO RADIO

- L Live, AC 230 V
- N Neutral conductor
- 2,3 N.O. contact, AC 24...230 V / 5(2) A
- 1,2 N.C. contact, AC 24...230 V / 5(2) A

No wiring is required as thermostat is battery operated and wireless.



N1 Thermostat (RDE100.1/RFS-EQ)  
No wiring is required as thermostat is battery operated.

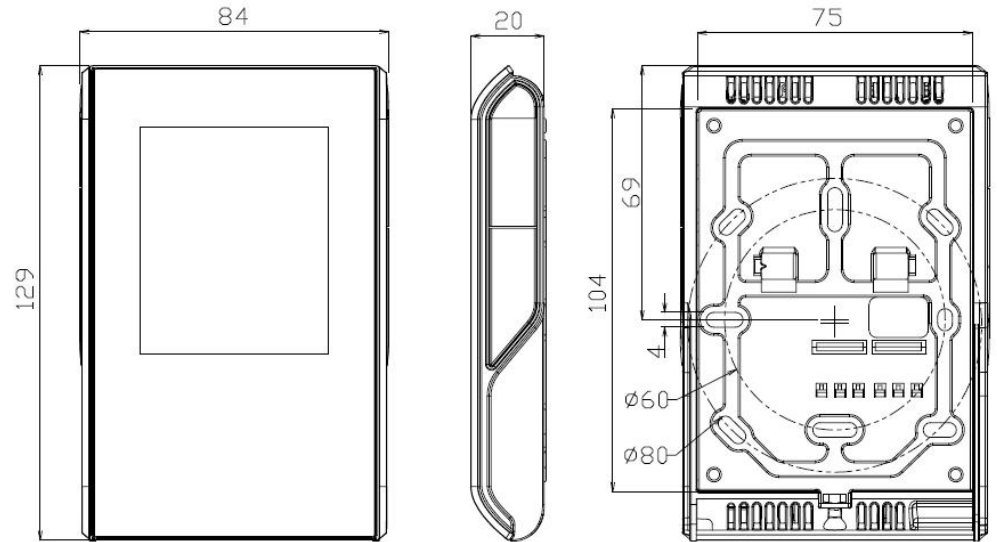
- L Live, AC 230 V
- N Neutral conductor
- Nx Neutral conductor
- N2 Wireless Receiver 433 MHz
- 2 Live, AC 24...250 V
- 3 N.O. contact, AC 24...250 V / 5(2) A
- 1 N.C. contact, AC 24...250 V / 5(2) A
- M1 Circulating pump
- Y1 Actuating device

CONFORT CRONO RADIO  
(Thermostat /Transmitter)

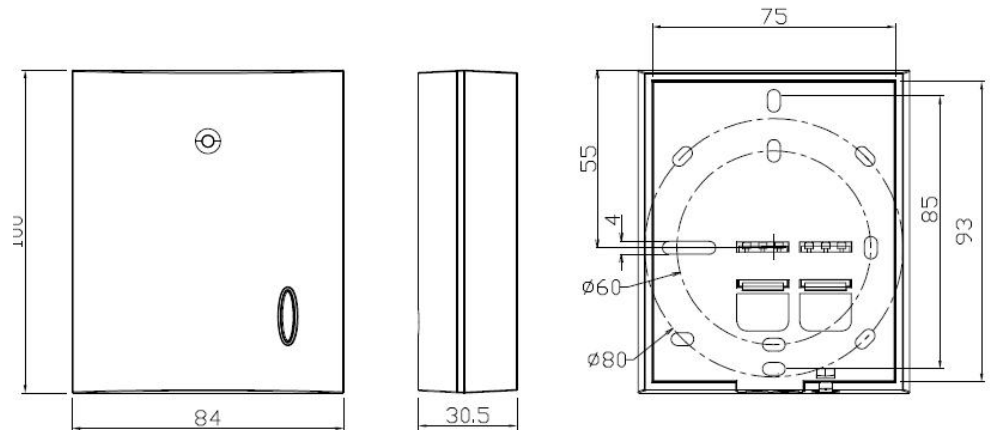
RADIO RECEIVER

## Dimensions

### Thermostat



### Radio Receiver



## Packaging

Product	Equation model #	Equation EAN 13 #	Blister	Packaging box
Wireless room thermostat and receiver module	CONFORT CRONO RADIO (RDE100.1/RFS-EQ)	3351840220477	1 CONFORT CRONO RADIO 1 RADIO RECEIVER 1 multi-language mounting and 6 language operating instructions	3 sets

